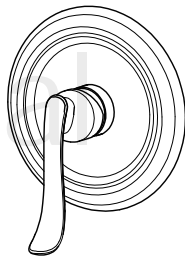
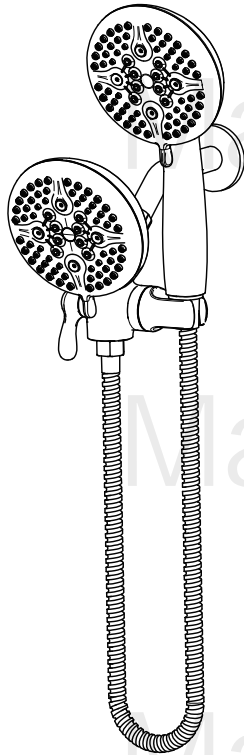


Installation Manual

Shower Faucet Trim Kit



Please do not hesitate to contact us with your questions, concerns and/or problems, we're here to help. We will replace or repair your product free of charge.

Contact us: sellersshopping1@gmail.com

IAPMO RESEARCH AND TESTING, INC.

5001 East Philadelphia Street, Ontario, California 91761-2816 – USA • 909-472-4100 • 909-472-4244 • www.iapmort.org



CERTIFICATE OF LISTING

IAPMO Research and Testing, Inc. is a product certification body which tests and inspects samples taken from the supplier's stock or from the market or a combination of both to verify compliance to the requirements of applicable codes and standards. This activity is coupled with periodic surveillance of the supplier's factory and warehouses as well as the assessment of the supplier's Quality Assurance System. This listing is subject to the conditions set forth in the characteristics below and is not to be construed as any recommendation, assurance or guarantee by IAPMO Research and Testing, Inc. of the product acceptance by Authorities Having Jurisdiction.

The most updated information on this Certificate of Listing is available online at pld.iapmo.org

Effective Date: March 2018 -Rev. 7/26/2018- Void After: March 2019

Product: Plumbing Fixture Fittings - Components File No. MC-9703

Issued To: Ningbo Wanhai Cartridge Technology Co., Ltd.
Xiachen Zone, Chunhu
Fenghua, NINGBO 315538
China

Identification: Each fitting component shall bear permanent legible markings to identify the manufacturer. This marking shall be the trade name, trademark, or other mark known to identify the manufacturer. The product shall also bear all other markings required by the standard. The marking shall be applied so as to be visible after installation. The product or packaging shall also bear the cUPC® certification mark along with the term "COMPONENT" above.

Characteristics: Plumbing fixture fitting components to be installed in accordance with the manufacturer's instructions and the requirements of the latest edition of the Uniform Plumbing Code.

Products listed on this certificate have been tested by an IAPMO R&T recognized laboratory. This recognition has been granted based upon the laboratory's compliance to the applicable requirements of ISO/IEC 17025.

Products are in compliance with the following code(s):
Uniform Plumbing Code (UPC®)


Chairman, Product Certification Committee


CEO, The IAPMO Group



This listing period is based upon the last date of the month indicated on the Effective Date and Void After Date shown above. Any change in material, manufacturing process, marking or design without having first obtained the approval of the Product Certification Committee, or any evidence of non-compliance with applicable codes and standards or of inferior workmanship, may be deemed sufficient cause for revocation of this listing. Production of or reference to this form for advertising purposes may be made only by specific written permission of IAPMO Research and Testing, Inc. Any alteration of this certificate could be grounds for revocation of the listing. This document shall be reproduced in its entirety.

COMPONENT



IAPMO RESEARCH AND TESTING, INC.
CERTIFICATE OF LISTING

-Rev. 7/26/2018-

Void After: March 2019

Product: Plumbing Fixture Fittings - Components

File No. MC-9703

Issued To: Ningbo Wanhai Cartridge Technology Co., Ltd.

National Plumbing Code of Canada

Products are in compliance with the following standard(s):

ASME A112.18.1-2012/CSA B125.1-12

COMPONENT



IAPMO RESEARCH AND TESTING, INC.
CERTIFICATE OF LISTING

-Rev. 7/26/2018-

Void After: March 2019

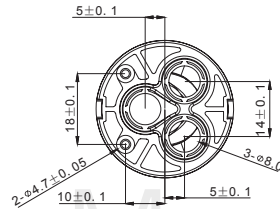
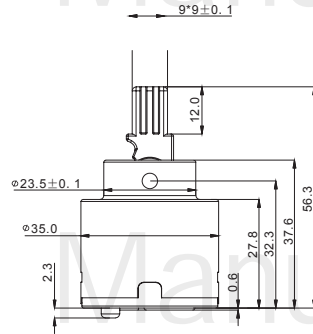
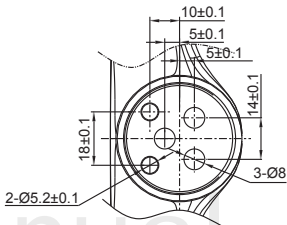
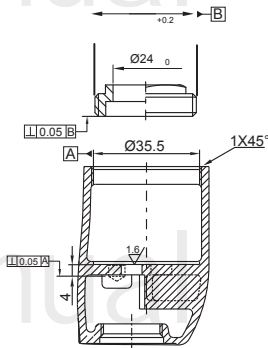
Product: Plumbing Fixture Fittings - Components

File No. MC-9703

Issued To: Ningbo Wanhai Cartridge Technology Co., Ltd.

MODELS:

| <u>Model No.</u> | <u>Description</u> |
|------------------|--------------------|
| 25D-7-1 | Ceramic Cartridge |
| 26H-10 | Ceramic Cartridge |
| 26H-11 | Ceramic Cartridge |
| 30D-11 | Ceramic Cartridge |
| 35D-1 | Ceramic Cartridge |
| 35D-10 | Ceramic Cartridge |
| 35D-11 | Ceramic Cartridge |
| 35D-5 | Ceramic Cartridge |
| 35D-6 | Ceramic Cartridge |
| 35D-7 | Ceramic Cartridge |
| 35D-7-1 | Ceramic Cartridge |
| 35H-1 | Ceramic Cartridge |
| 35H-10 | Ceramic Cartridge |
| 35H-5 | Ceramic Cartridge |
| 35H-6 | Ceramic Cartridge |
| 35P-6 | Ceramic Cartridge |
| 35PH-6 | Ceramic Cartridge |
| 40D-1 | Ceramic Cartridge |
| 40D-10 | Ceramic Cartridge |
| 40D-5 | Ceramic Cartridge |
| 40D-6 | Ceramic Cartridge |
| 40H-1 | Ceramic Cartridge |
| 40H-10 | Ceramic Cartridge |
| 40H-5 | Ceramic Cartridge |
| 40H-6 | Ceramic Cartridge |
| 40P-6 | Ceramic Cartridge |
| 40PH | Ceramic Cartridge |
| 40PH-6 | Ceramic Cartridge |
| LT35D-13 | Ceramic Cartridge |
| LT35H-10 | Ceramic Cartridge |
| LT40H-10 | Ceramic Cartridge |
| LTW35H | Ceramic Cartridge |
| W25D | Ceramic Cartridge |
| W25H | Ceramic Cartridge |
| W30D | Ceramic Cartridge |
| W30H | Ceramic Cartridge |
| W35D | Ceramic Cartridge |
| W35H | Ceramic Cartridge |



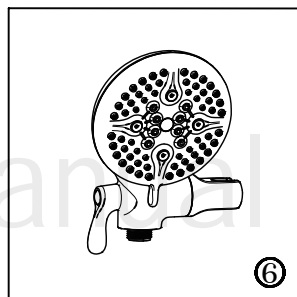
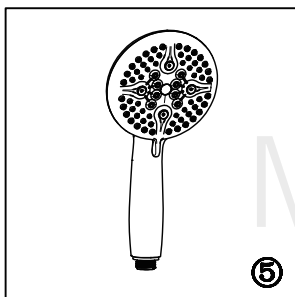
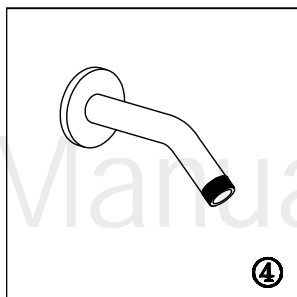
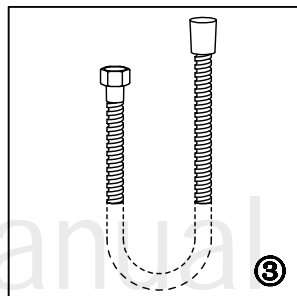
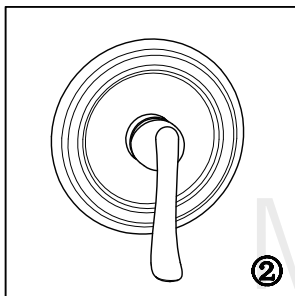
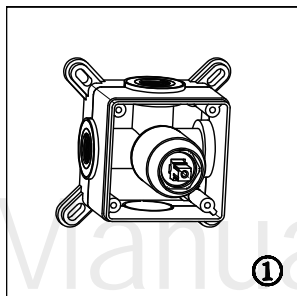
PARAMETERS

Minimum Opening Angle: 23°
 Maximum Turning Angle: 100°
 Maximum Temperature: 95°

Life Test

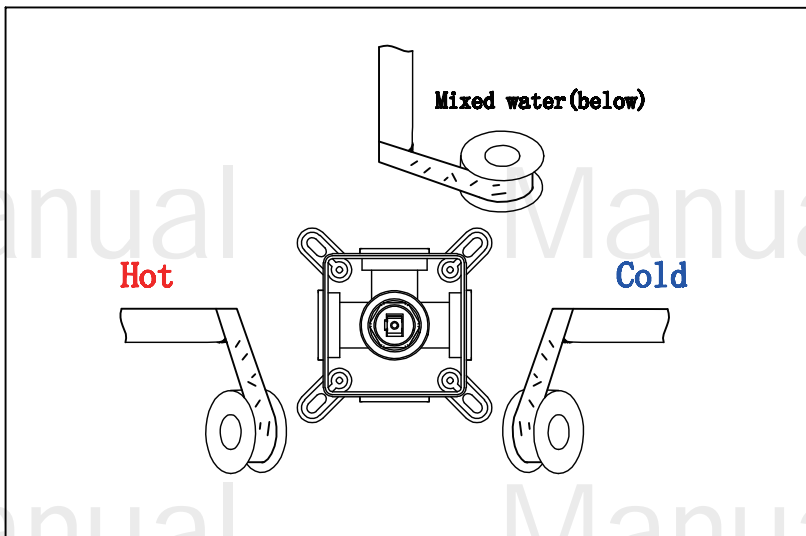
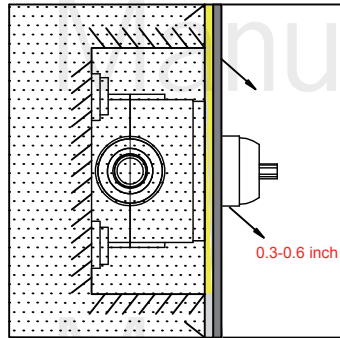
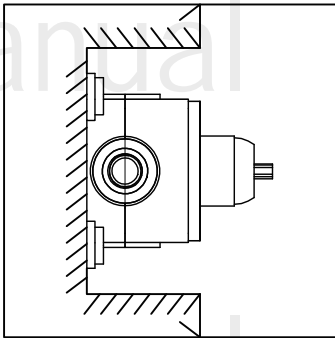
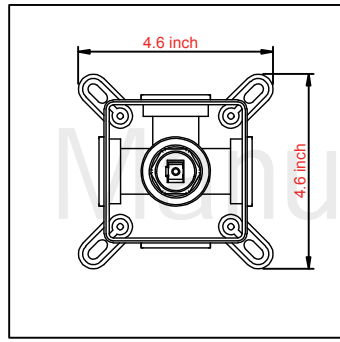
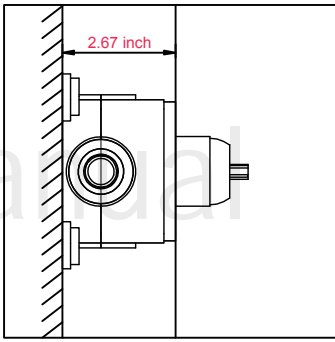
ENDURANCE TEST
 Min. 70,000 Cycles (EN 817, GB 18145)

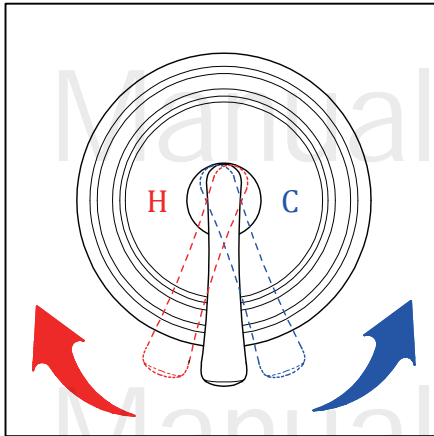
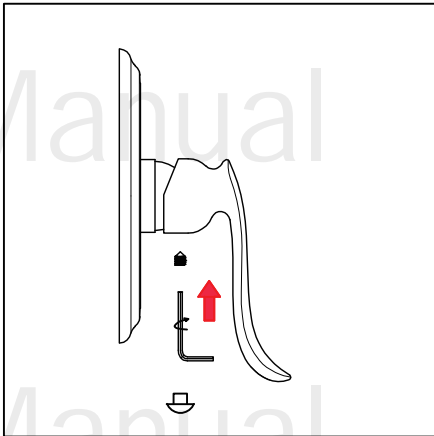
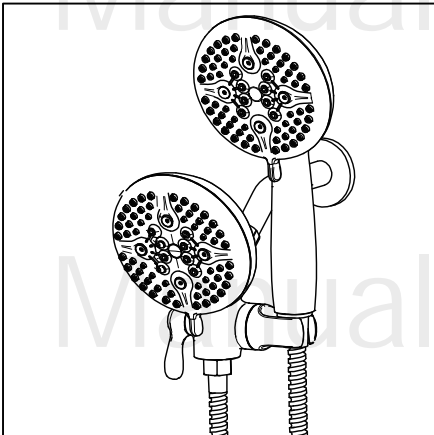
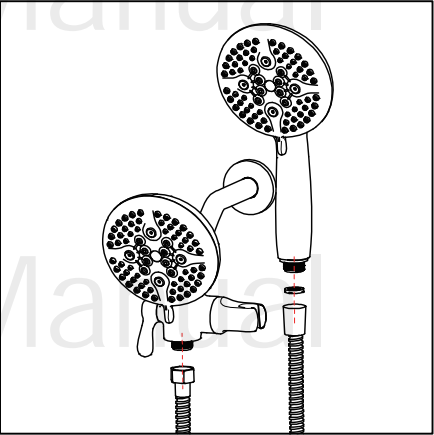
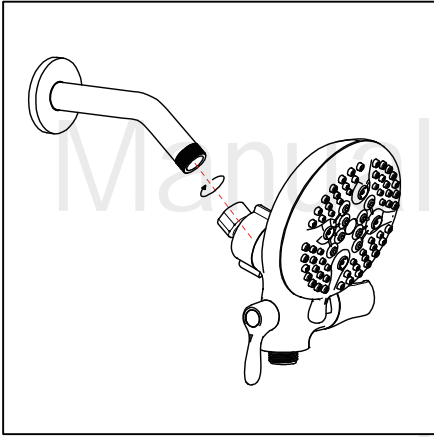
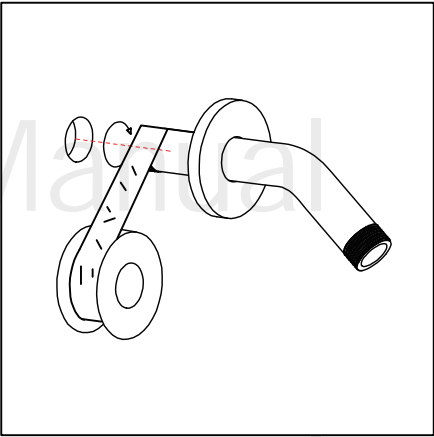
Essential accessories list

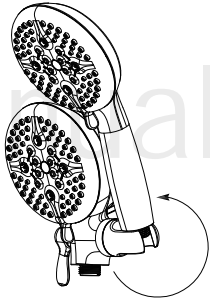


WARNING:

Choking hazard. Keep all small parts and plastic bags out of the reach of children.

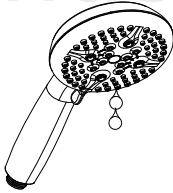






To Adjust Angle of Hand Shower

Rotate holder in vertical direction to set desired hand shower angle.



To Save Water while Lathering or Shampooing

To save water, turn dial lever to pause mode. For your safety (to prevent pressure buildup), pause mode has water dripping instead of complete shut-off. After use, do not leave dial set to pause mode.

Instruction Manual

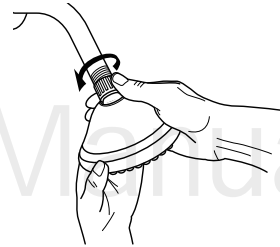
To begin your shower experience we want to give you all of the proper tools to make installation easy and quick. This way you are that much closer to enjoying an invigorating shower with your new shower head.

- Gather the tools to install the shower head.



Adjustable Wrench (not included)

- Remove old shower head and remove all pipe tape as well.
- Insure that the washer from the old shower is not connected to the pipe. Use a thin utensil to check inside the pipe for washers, such as a pencil or screw driver. Do not use your fingers.

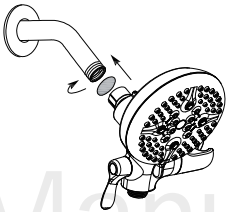
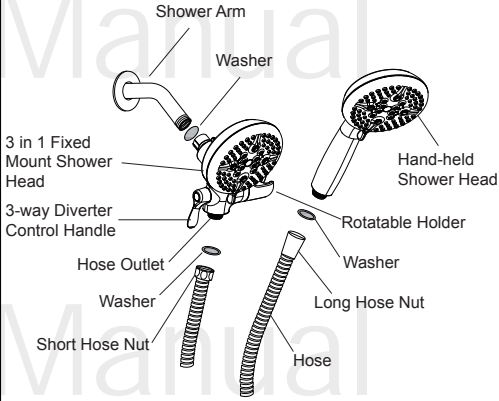


WARNINGS:

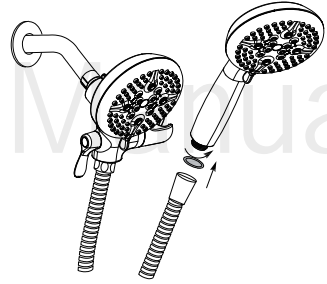
- To avoid hot water dangers and conserve even more energy, make sure your water heater is set at 120°F (48.9°C) or below.
- Test the shower water with your hand before bathing.
- As with all combination showers, using both shower together always cause water pressure to drop in each shower head. Use shower head or hand shower individually to maximize water pressure for high-power performance. Use combined dual-shower application for gentle pampering, wide flow coverage and targeting of different body areas.
- Always ensure the hand-held shower head is properly placed in the bracket, so as to prevent the shower head from falling.
- Do not pull on or tug the flexible hose. This may result in the shower head coming loose and falling.

INSTALLATION

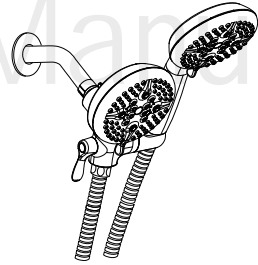
Dual Shower Heads



① Attach 3 in 1 fixed mount shower head by threading clockwise onto shower arm with rotatable holder to the right and 3-way diverter control handle to the left. Use a wrench to tighten shower head nut to a snug fit. Do not over tighten. Wrap shower head nut with a cloth if you are using pliers.



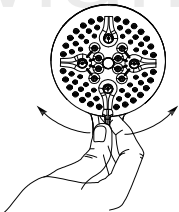
② Locate the hose end with short hose nut and hand tighten to shower head. **IMPORTANT!** If hose is not installed in this manner unit will not operate properly.



③ Place hand-held shower head in rotatable holder. Point all shower heads away from you and turn on the water full force. Check for leaks. Re-tighten all connectors if necessary.

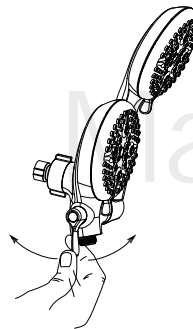
Note: Several U.S. state and local municipal plumbing codes require the use of a backflow prevention device when installing a hand shower. This device is termed a vacuum breaker. If your hand shower includes a vacuum breaker it will be located in the plug of hand-held shower.

OPERATION:



Spray Selector

Spray Selector allows you to select from various spray patterns. Spray pattern is controlled by the small lever that rotates left and right.



To Use 3-way Diverter

To change between the hand-held or fixed mount spray or combination of both, turn the handle on the 3 in 1 fixed mount shower head clockwise or counter clockwise.

Guarantee Repairs Claims

1. Please contact seller by email with this warranty and purchase invoice when the product needs guarantee repairs within warranty period.
2. Within warranty period, the listed situations below need to pay for replacement.
 - 2.1 The malfunction and damage caused by improper use and repair or reconstruct unauthorized. (forbid any throw, beat behavior)
 - 2.2 The malfunction and damage caused by not refer to instruction during installation. (forbid any unprofessional plumber install this product)
 - 2.3 The malfunction and damage caused by removing after installation or other factors.
 - 2.4 The malfunction and damage caused by application beyond the scope of usage.
 - 2.5 The damage caused by sands or dirty hands.
 - 2.6 The damage caused by daily improper maintenance and rust on finished and so on.
 - 2.7 The malfunction and damage caused by fires, earthquakes, floods, lightning and natural disasters, pollution, harmful gas, salt and abnormal voltage and other reasons.
 - 2.8 The occasions which purchase invoices are not presented.
3. The recommend water temperature of hand shower and rain shower head is $\leq 42^{\circ}\text{C}$ with water pressure 0.1-0.3 Mpa. The highest temperature not suggest beyond 70°C with water pressure 0.05-0.5 Mpa. So any product equipped with shower, please keep it away from the heater to avoid potential risk.
4. This limited warranty applies only to the original purchaser and hotel business. It expressly excludes labor charges, removal charges, installation, or other incidental or consequential costs. Any inappropriate application will void the warranty.
5. This warranty can no be replaced if missed, please keep safe.
6. After-sales service email: sellersshopping1@gmail.com

Clean and maintain product

How to clean shower head nozzles

1. Just rub the nozzles with your finger or a toothbrush to loosen any deposits, and then run hot water for a few minutes
2. Put the showerhead into a pot. Consider using a smaller container that just about fits the showerhead; this way, you will use less vinegar. You can also use a small bucket or plastic bin.

Fill the pot with enough white vinegar to cover the showerhead. The acids in the vinegar will help dissolve the white mineral deposits on the showerhead.

Let the showerhead soak in the vinegar for 30 minutes. The more soiled the showerhead is, the longer you will have to leave it in the vinegar.

Maintain Chrome and Brushed nickel finished product

1. To clean the products all you need is a high quality microfiber cloth.
2. Apply a high quality chrome cleaner to a clean cotton cloth, and wipe over the chrome. Leave as per product instructions, and then rinse with warm water. Gently remove any product residue using a dry chamois or paper towel.

3. How to Clean Chrome: Homemade Solutions

In addition to professional products, homespun solutions also have their place when breathing new life into dull chrome. Try this shortcut to achieving chrome cleaning nirvana:

Detergent and warm water! Submerge chrome-plated objects including pots and pans in a sink full of warm water. Add a half-cup of a high quality washing up detergent (Persil washing up liquid is good) and rub gently with a soft cotton cloth to avoid scratching the chrome. Use a scented detergent to leave kitchenware smelling fresh, as well as spotless.

