



TABLE OF CONTENTS

---

**Options**

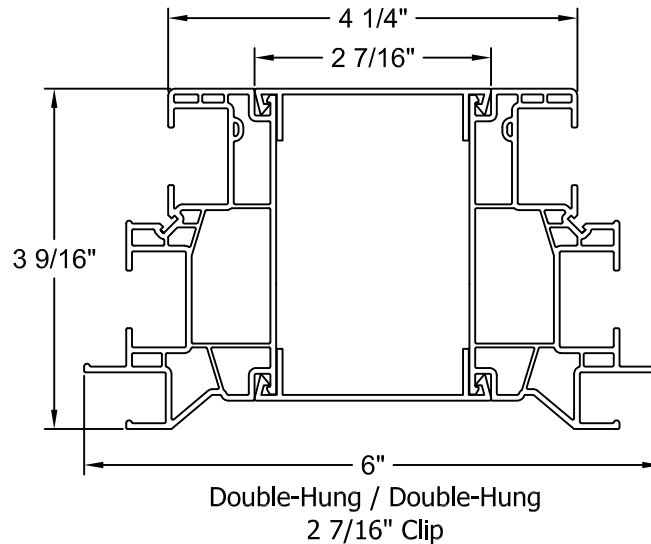
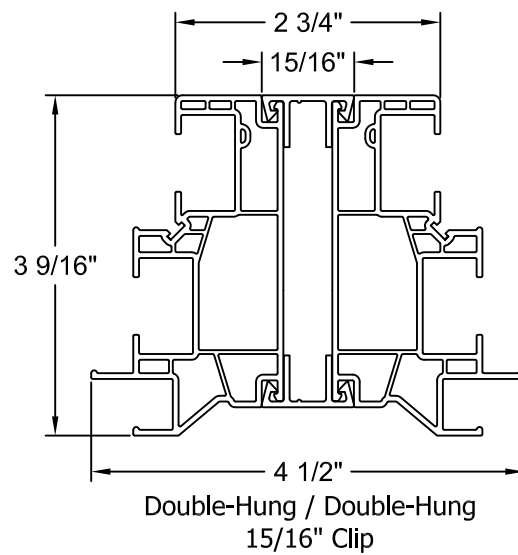
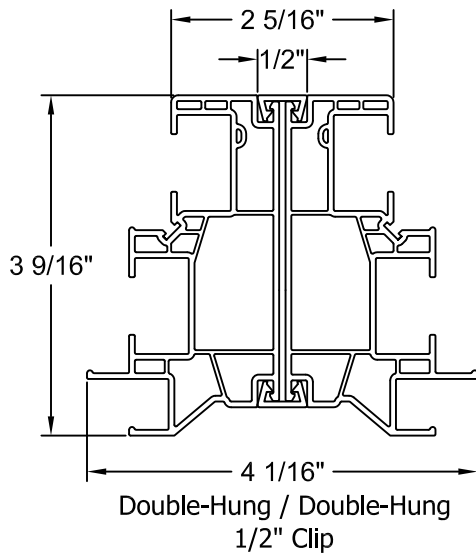
Mullion Options .....	2
Divided Lite Options .....	3
Trim Options.....	4
Grille Options .....	5
Clear Opening Layout .....	6

**Section Details**

PG20:	
Vertical Section.....	7
Horizontal Section.....	8
Twin - Horizontal Section.....	9
3 Wide - Horizontal Section .....	10
Mulled Transom - Vertical Section .....	11
PG50:	
Vertical Section.....	12
Horizontal Section.....	13
Twin - Horizontal Section.....	14
3 Wide - Horizontal Section .....	15
Mulled Transom - Vertical Section .....	16
PG20 Pocket:	
Vertical Section w/ Flange .....	17
Vertical Section w/o Flange .....	18
Horizontal Section.....	19
PG50 Pocket:	
Vertical Section w/ Flange .....	20
Vertical Section w/o Flange .....	21
Horizontal Section.....	22
PG20 Bay - Vertical Section.....	23
Bay Unit:	
30° - Horizontal Section .....	24
45° - Horizontal Section .....	25
10° Bow:	
3 Wide - Horizontal Section .....	26
4 Wide - Horizontal Section .....	27
5 Wide - Horizontal Section .....	28

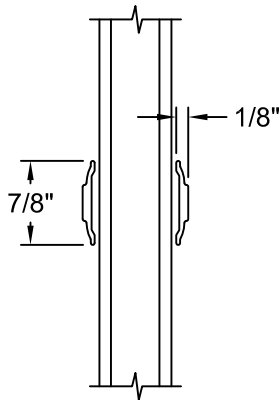


MULLION OPTIONS

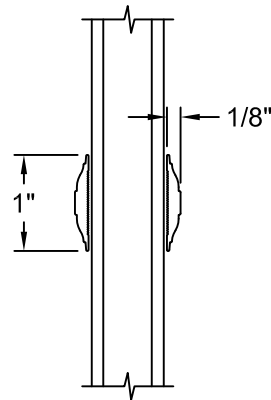




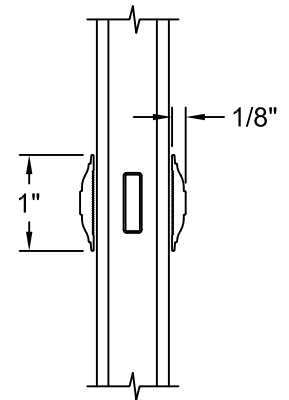
DIVIDED LITE OPTIONS



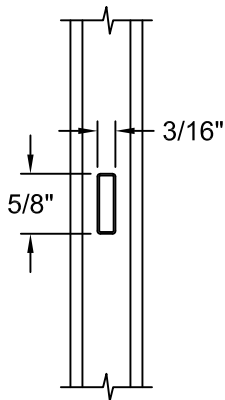
7/8" Low Profile  
Contour SDL



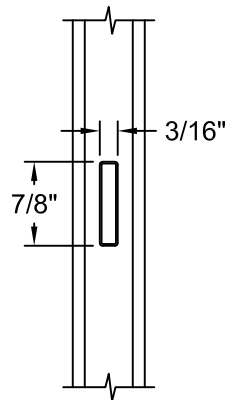
1" Raised Slim SDL



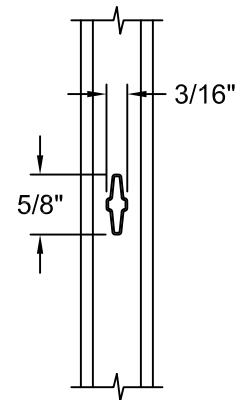
1" Raised Slim SDL  
w/ Shadowbar



5/8" Flat GBG



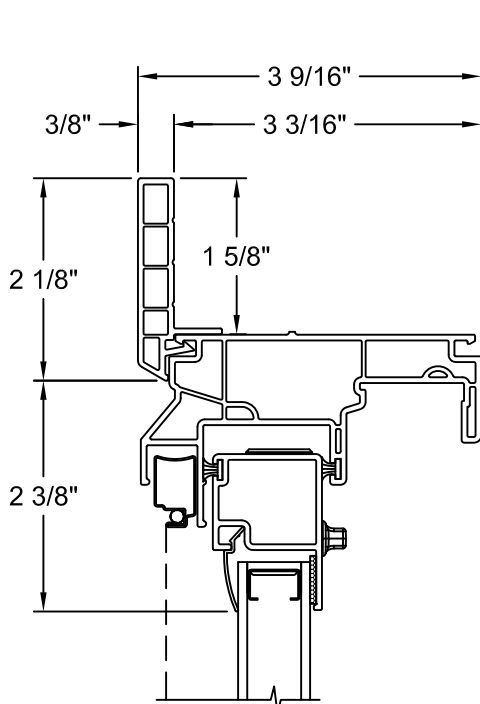
7/8" Flat GBG



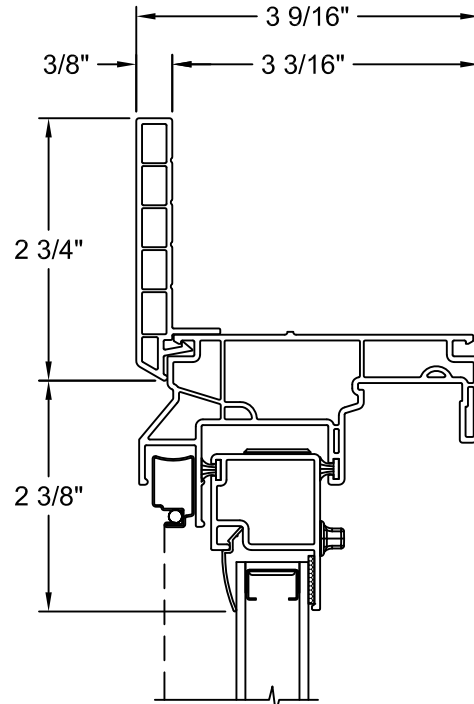
5/8" Contour GBG



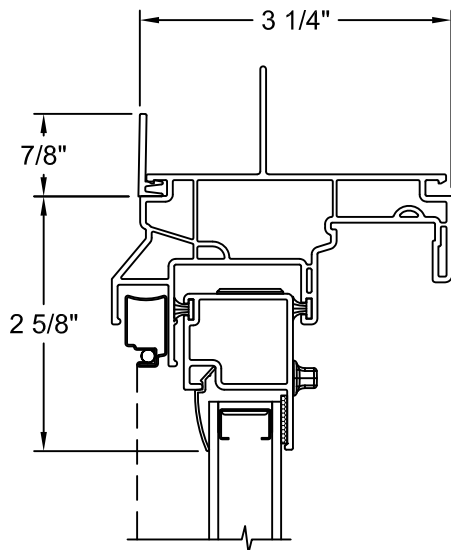
TRIM OPTIONS



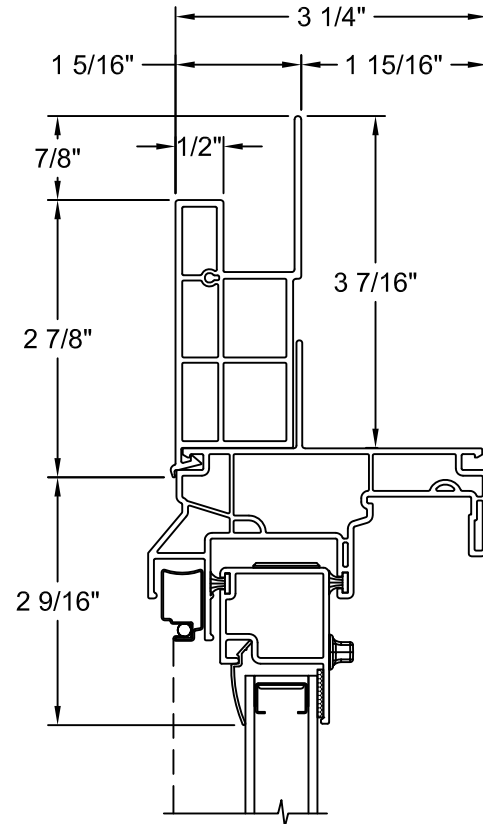
1 5/8" Flush Fin



2 1/4" Flush Fin



Florida Flange

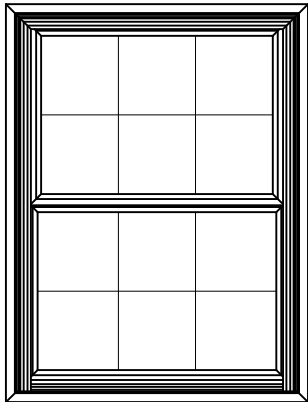


Flat Casing

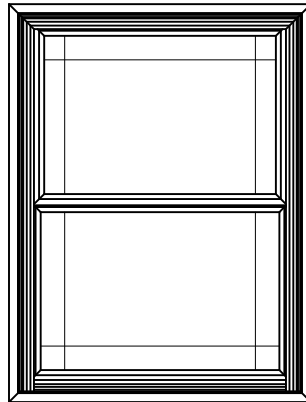


GRILLE PATTERNS

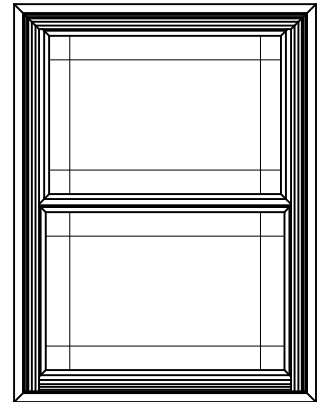
---



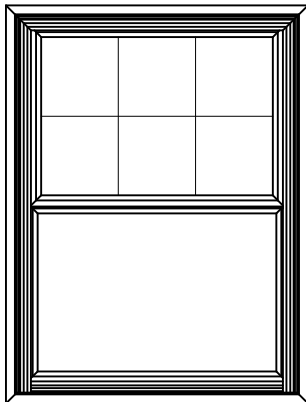
Standard



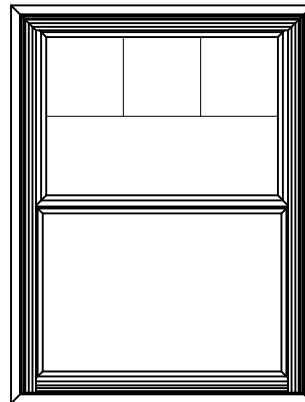
Prairie Frame



Prairie Glass



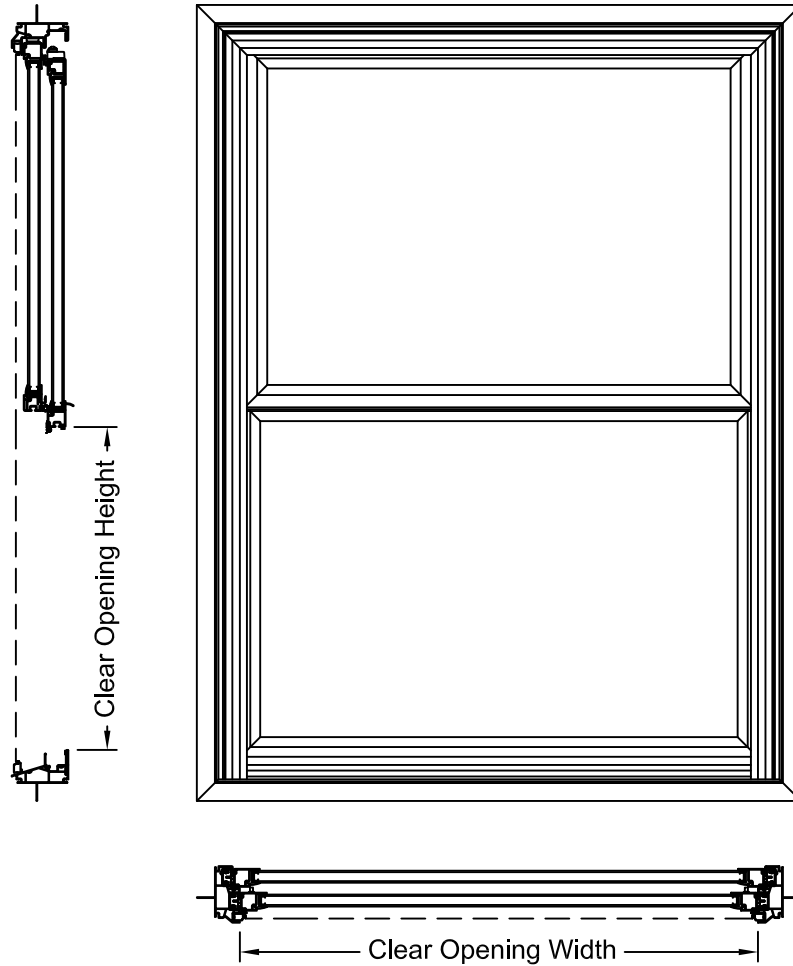
Colonial Top Sash



Colonial Top Down



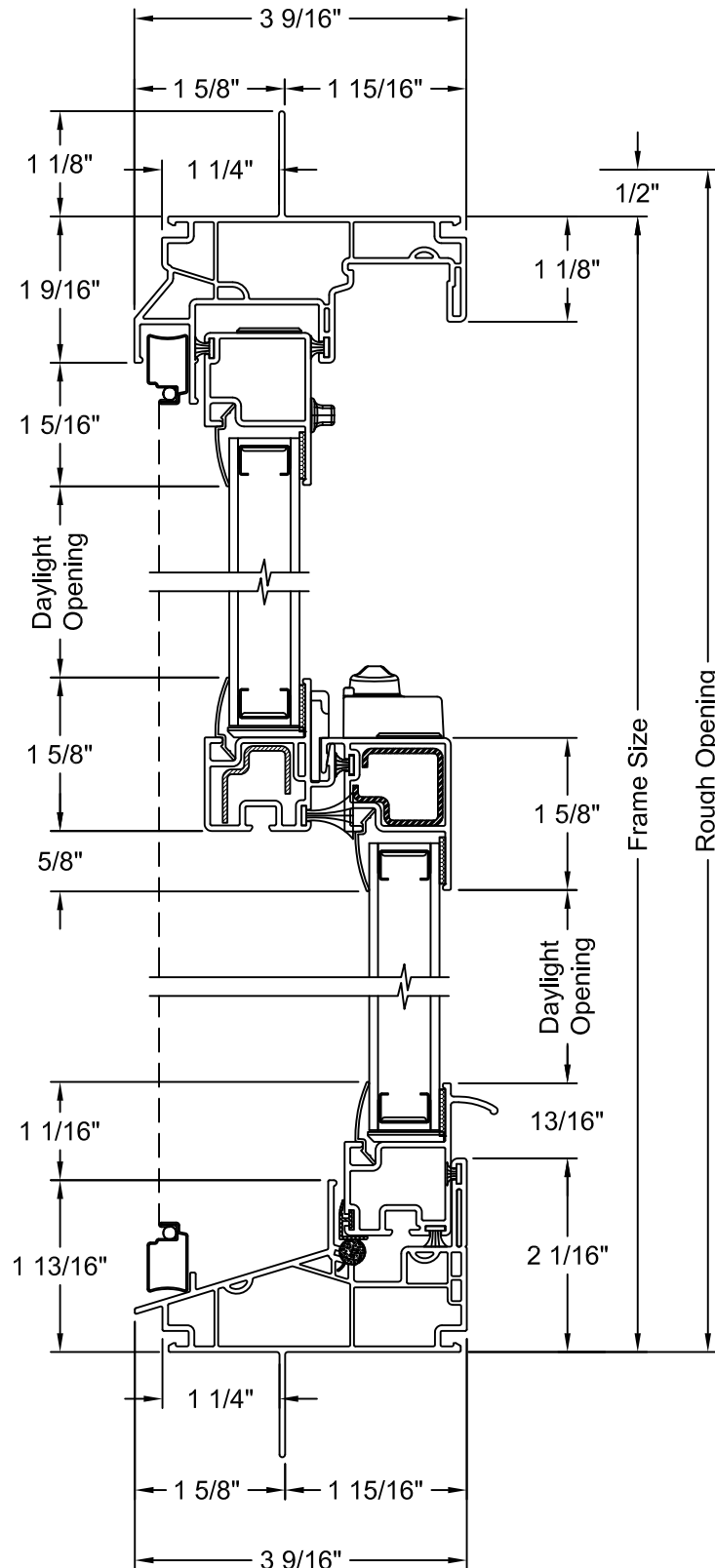
CLEAR OPENING LAYOUT



Clear Opening Formulas		
Window Type	Clear Opening Width	Clear Opening Height
Standard Double Hung	Frame Width - 4.003"	(Frame Height / 2) - 3.348"

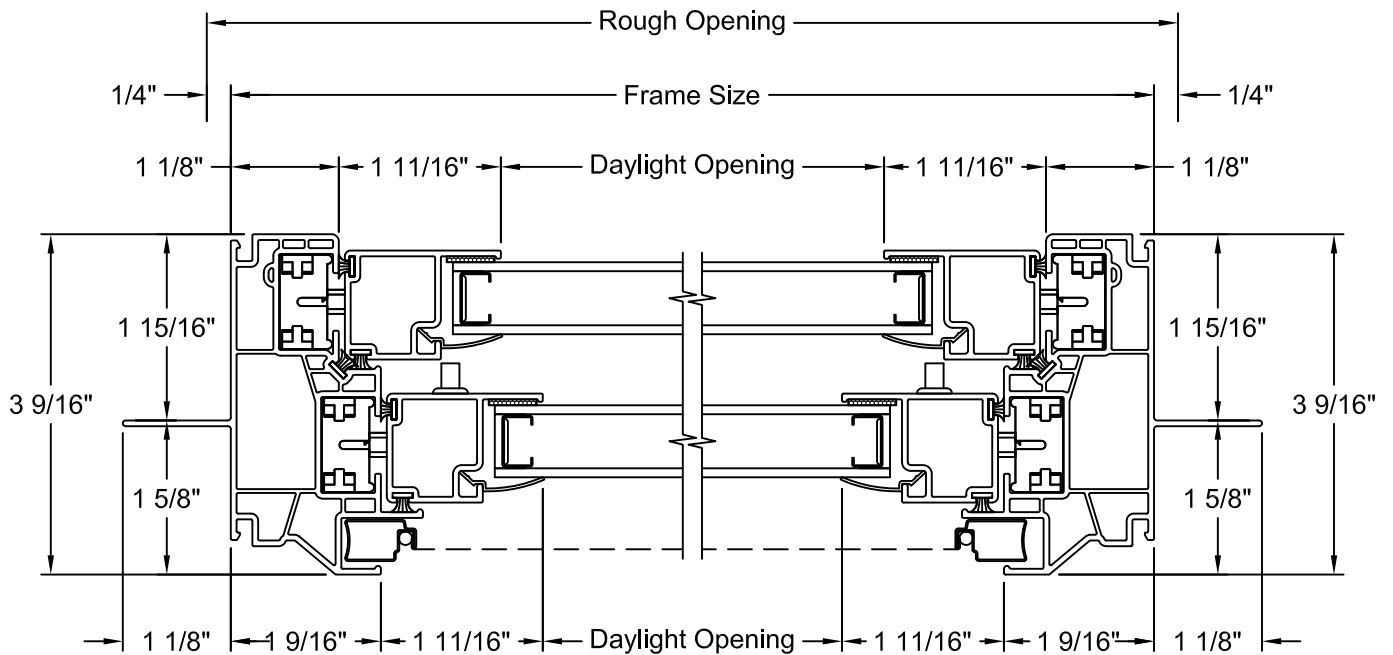


PG20 - VERTICAL SECTION



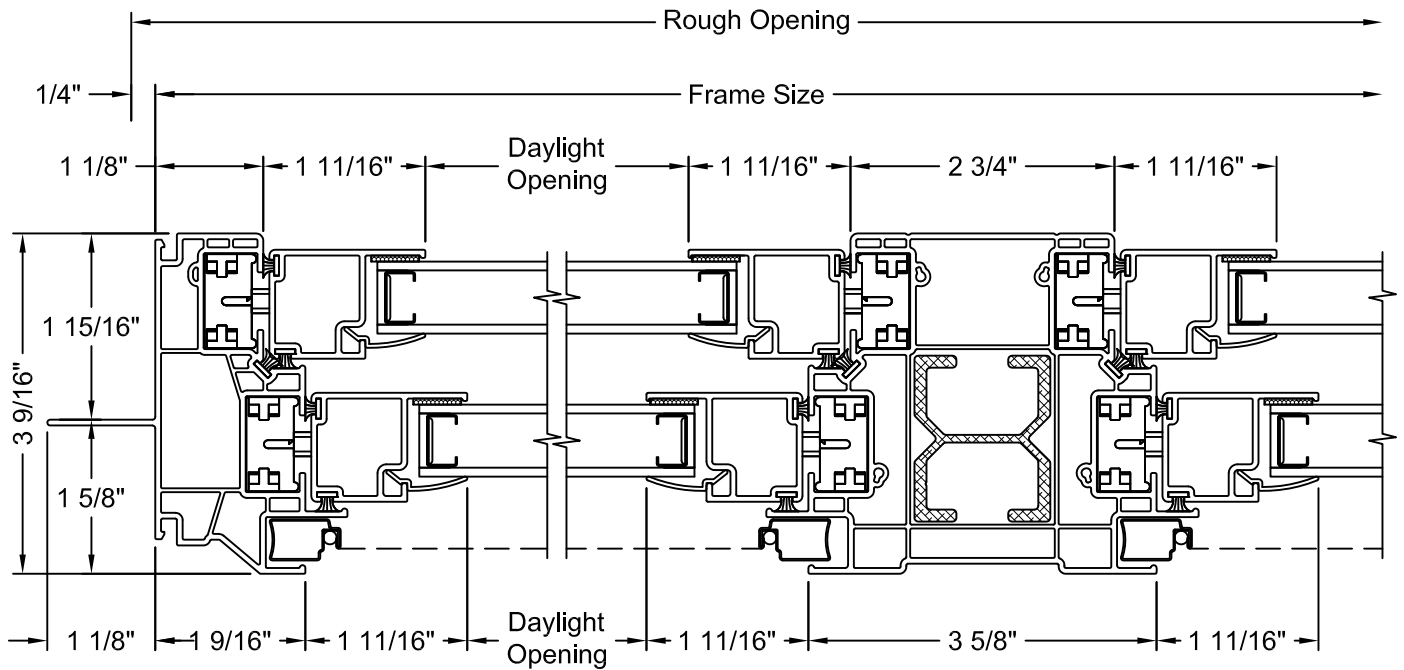
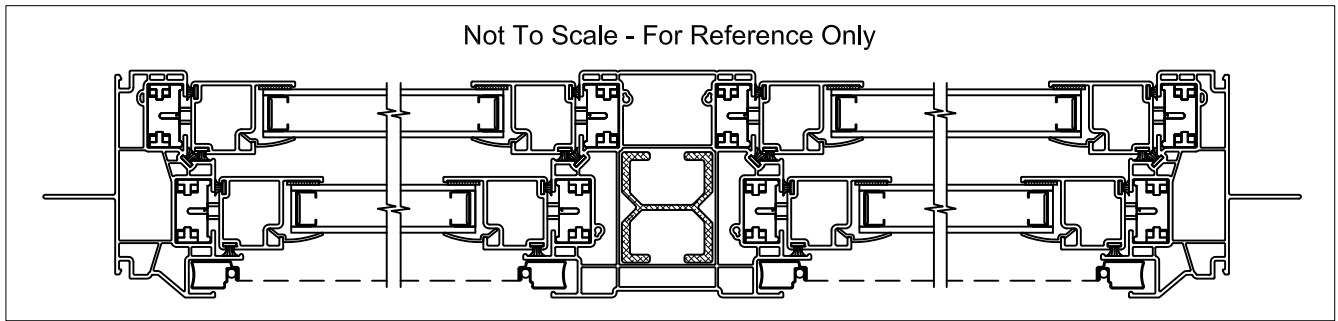


PG20 - HORIZONTAL SECTION



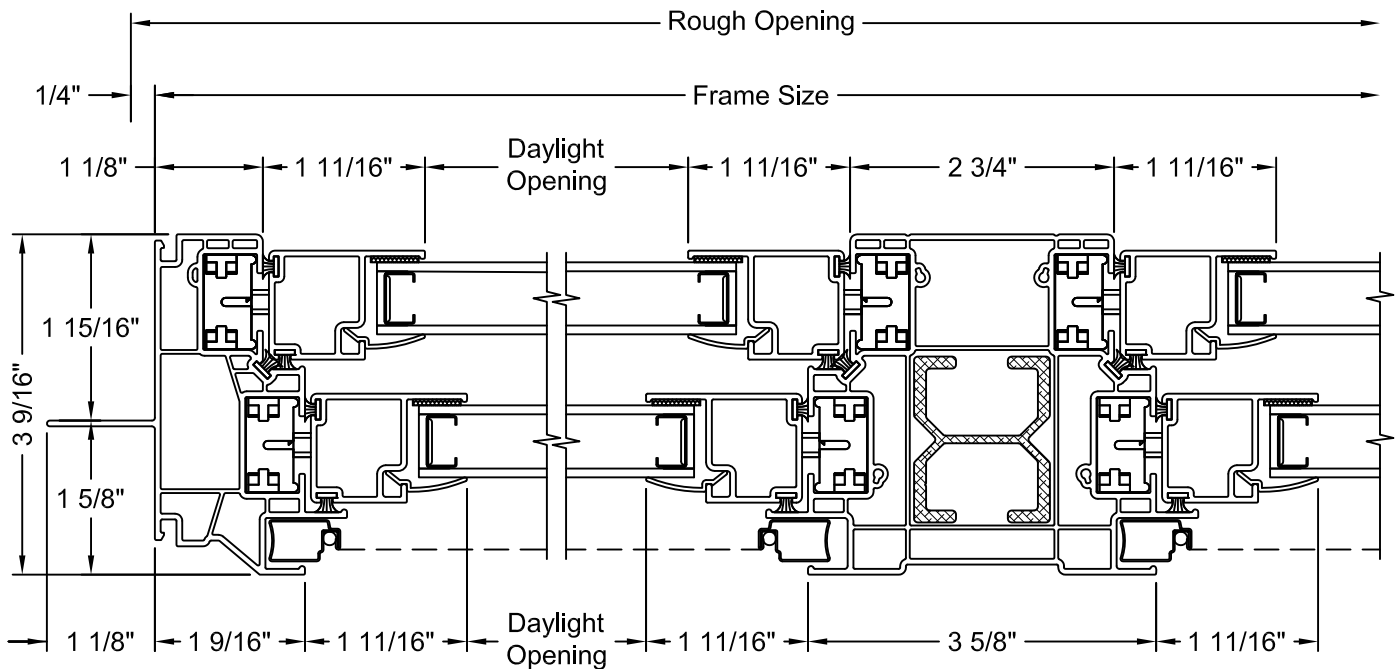
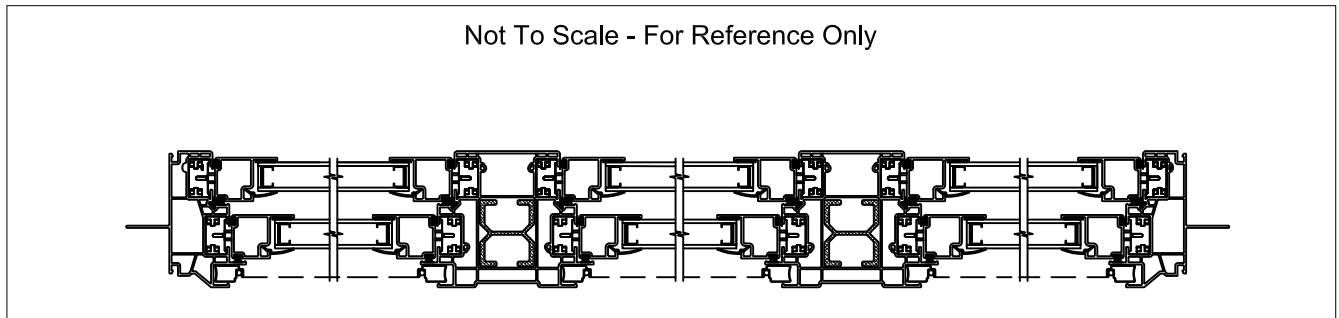


TWIN UNIT - PG20 - HORIZONTAL SECTION



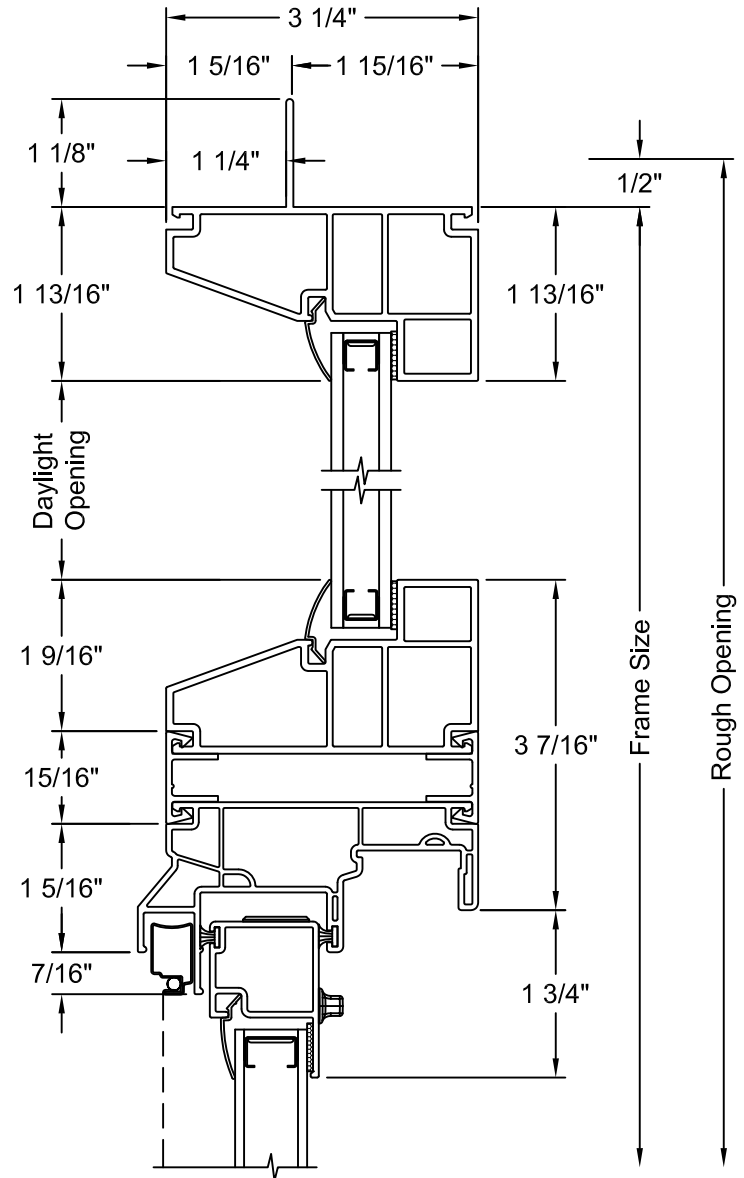
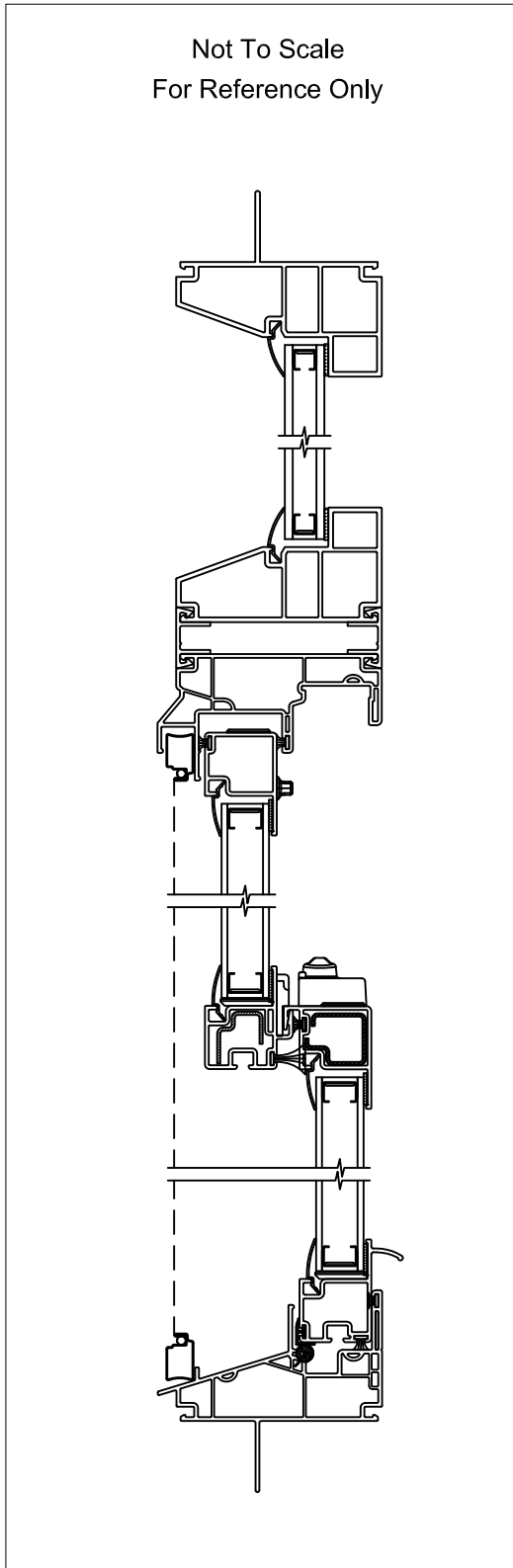


3-WIDE UNIT - PG20 - HORIZONTAL SECTION



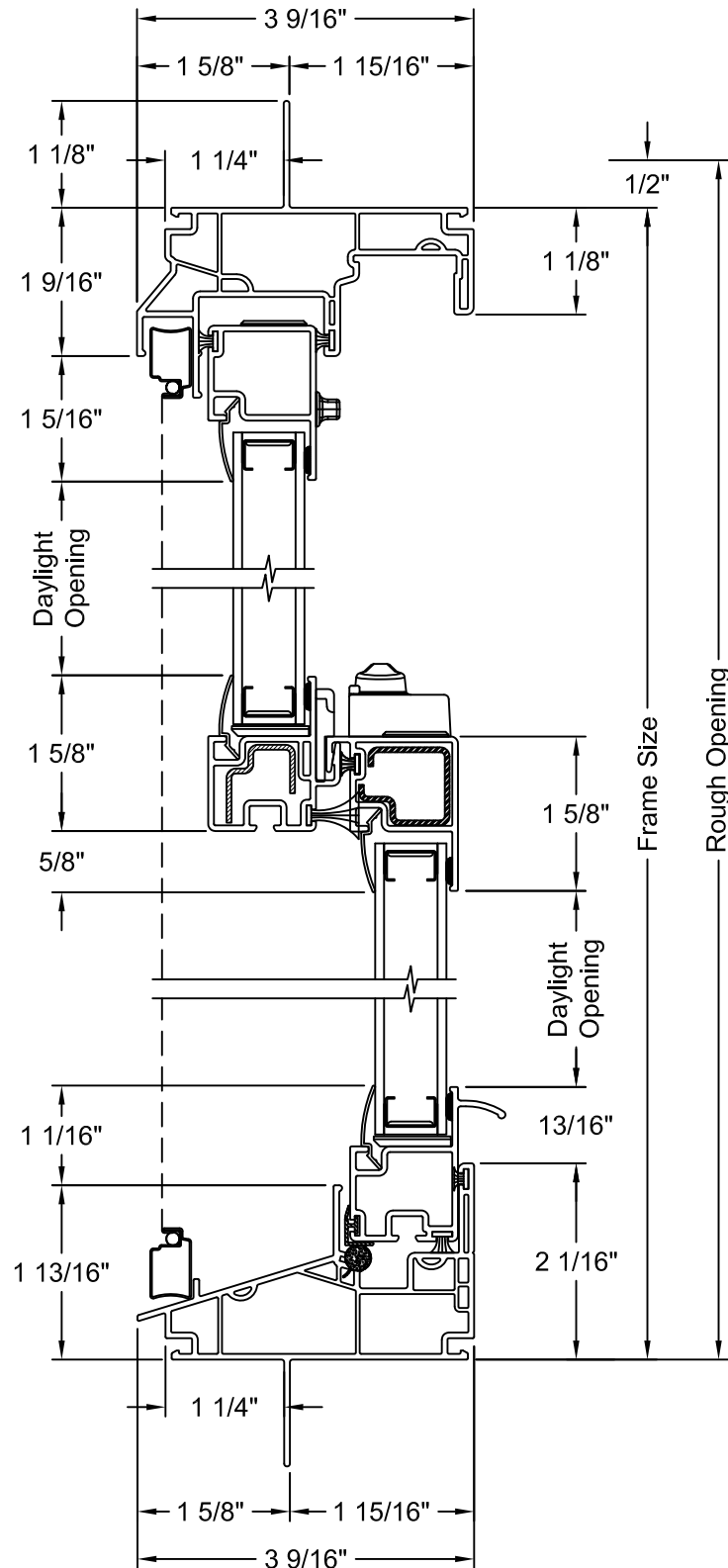


MULLED TRANSOM - PG20 - VERTICAL SECTION



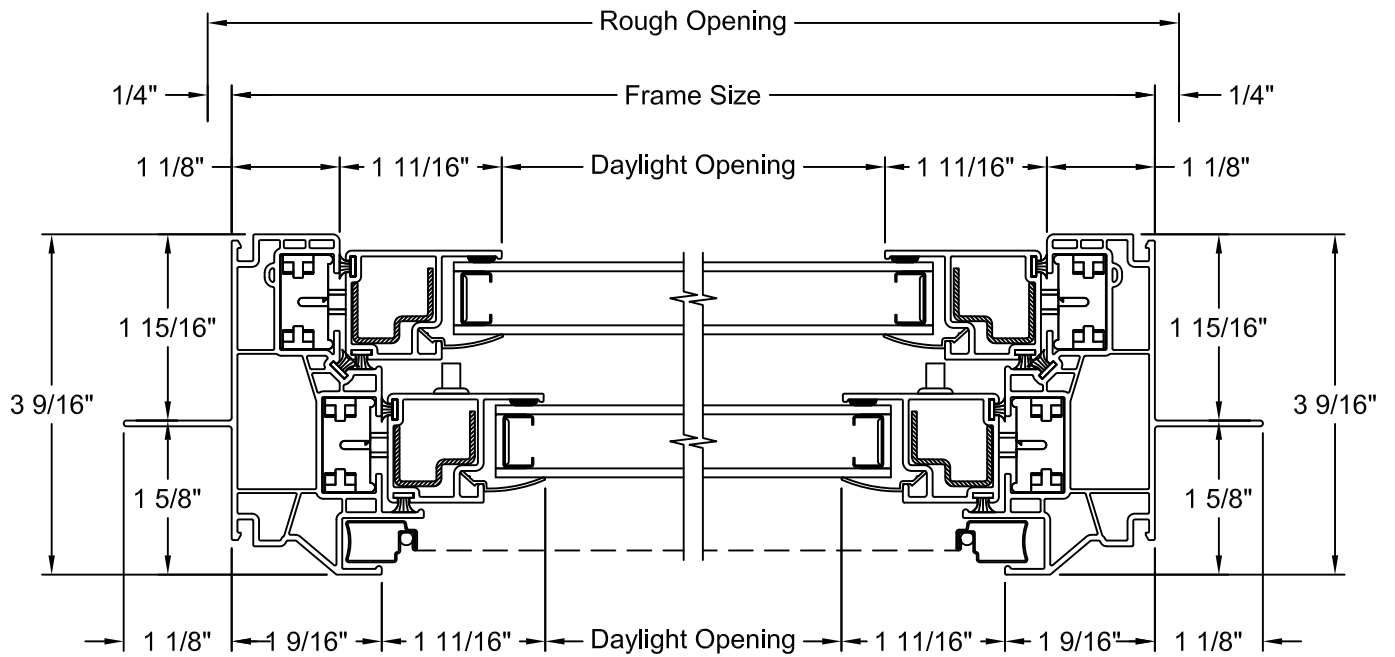


DP50 - VERTICAL SECTION

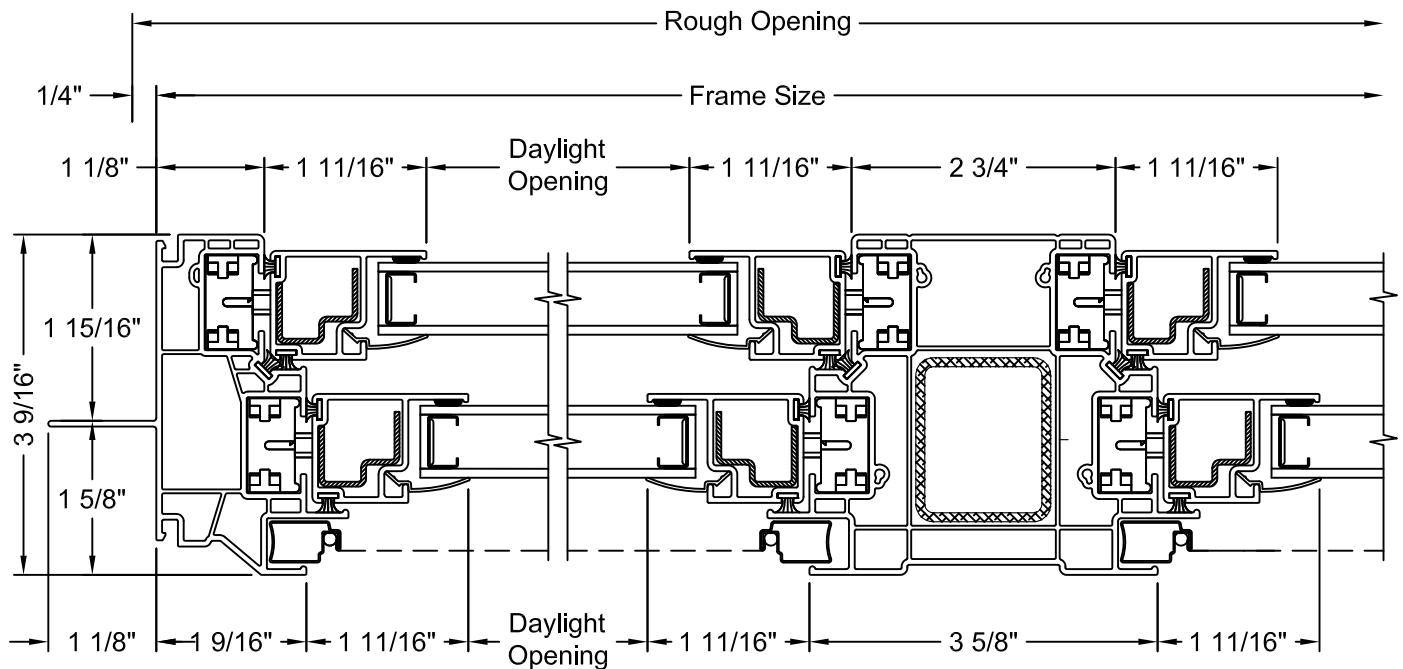
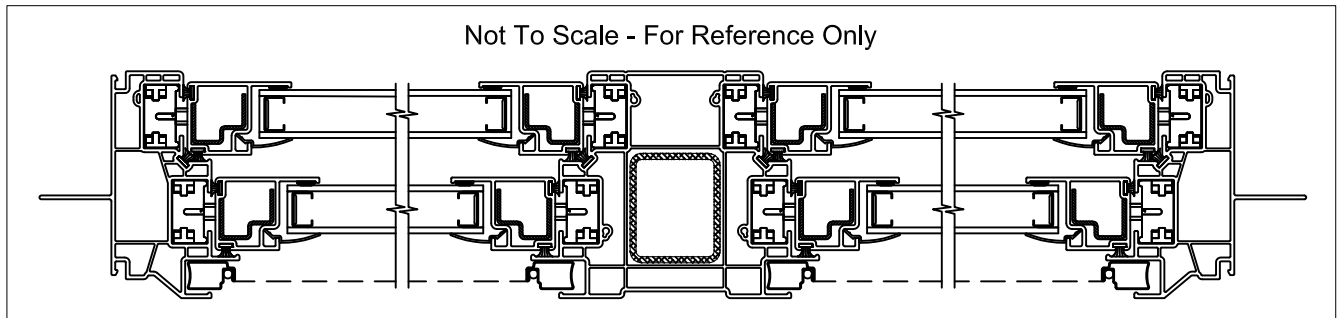




DP50 - HORIZONTAL SECTION

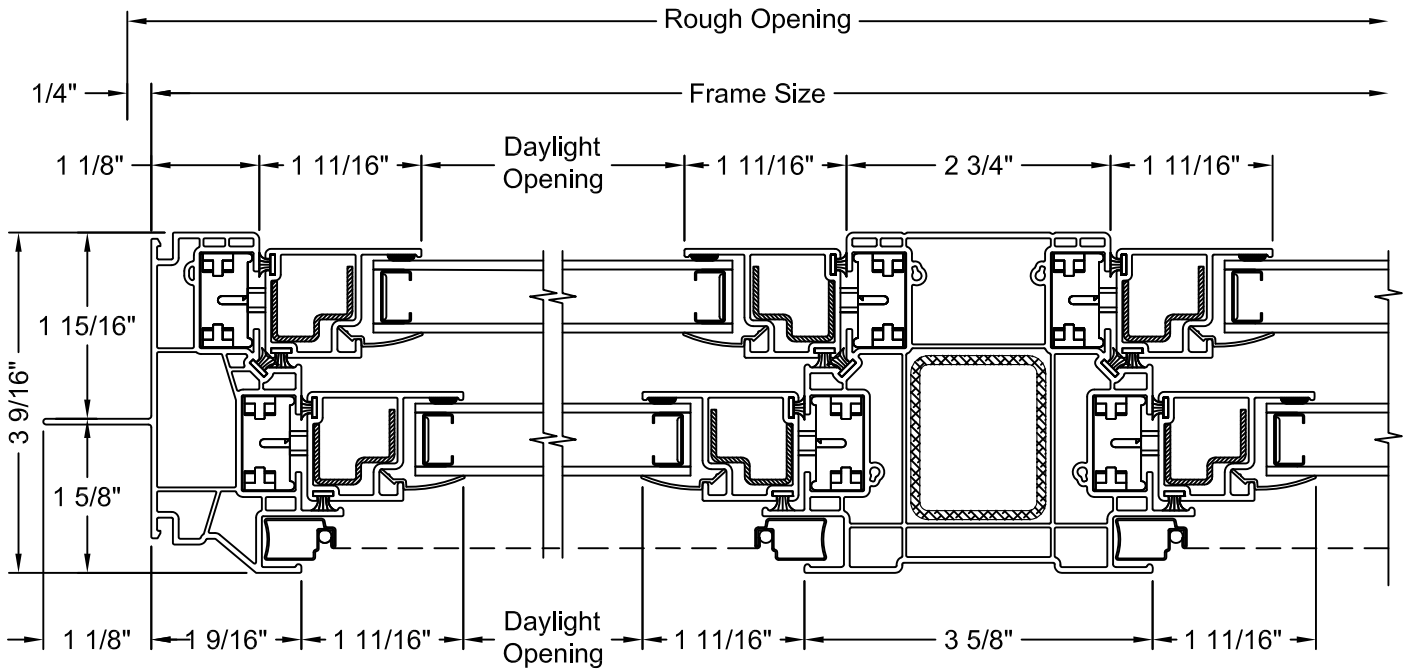
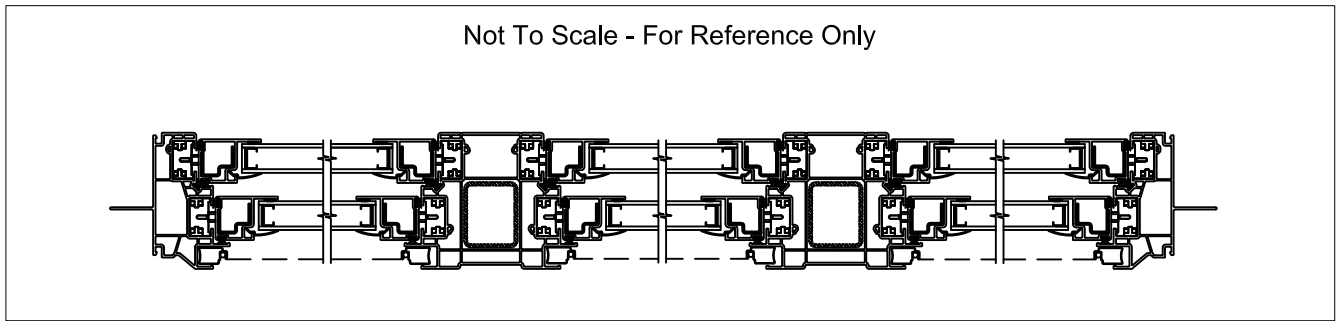


TWIN UNIT - PG50 - HORIZONTAL SECTION



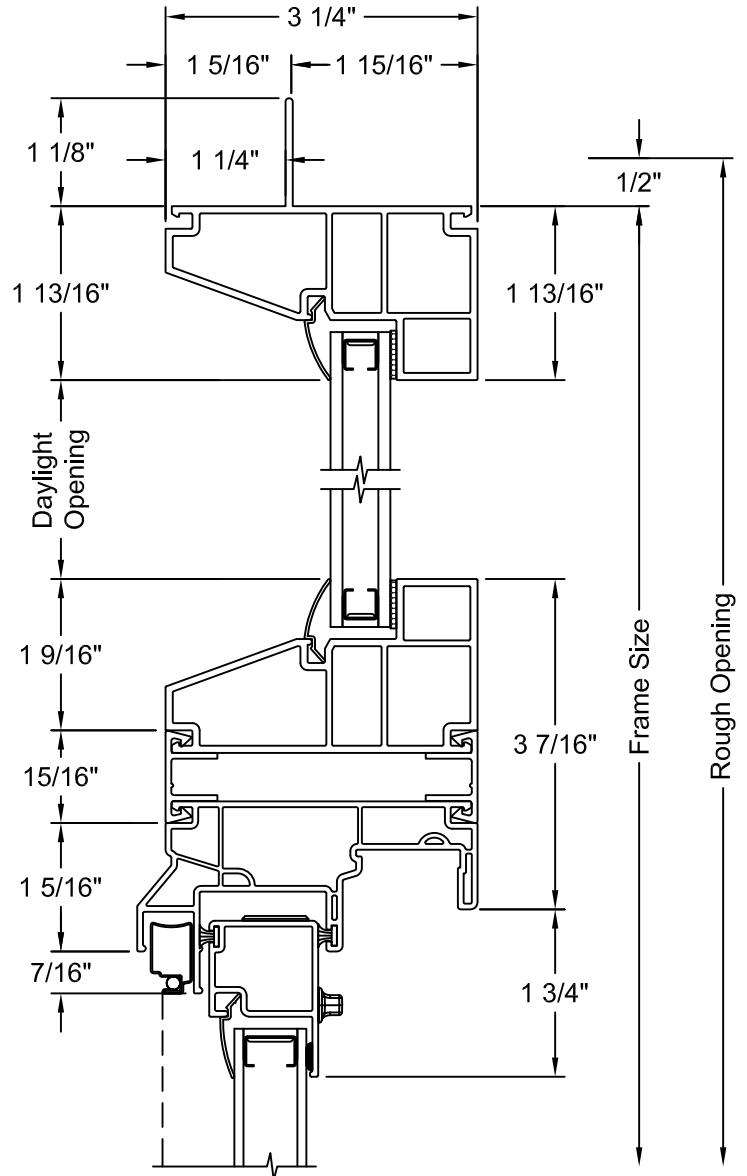
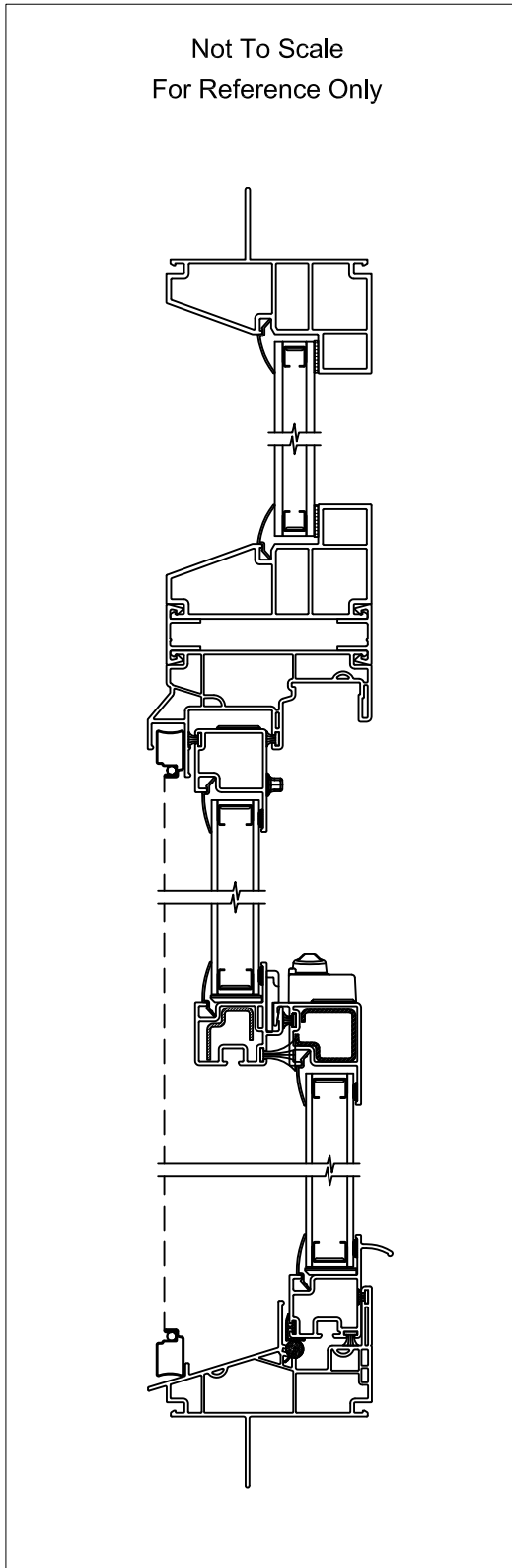


3-WIDE UNIT - PG50 - HORIZONTAL SECTION





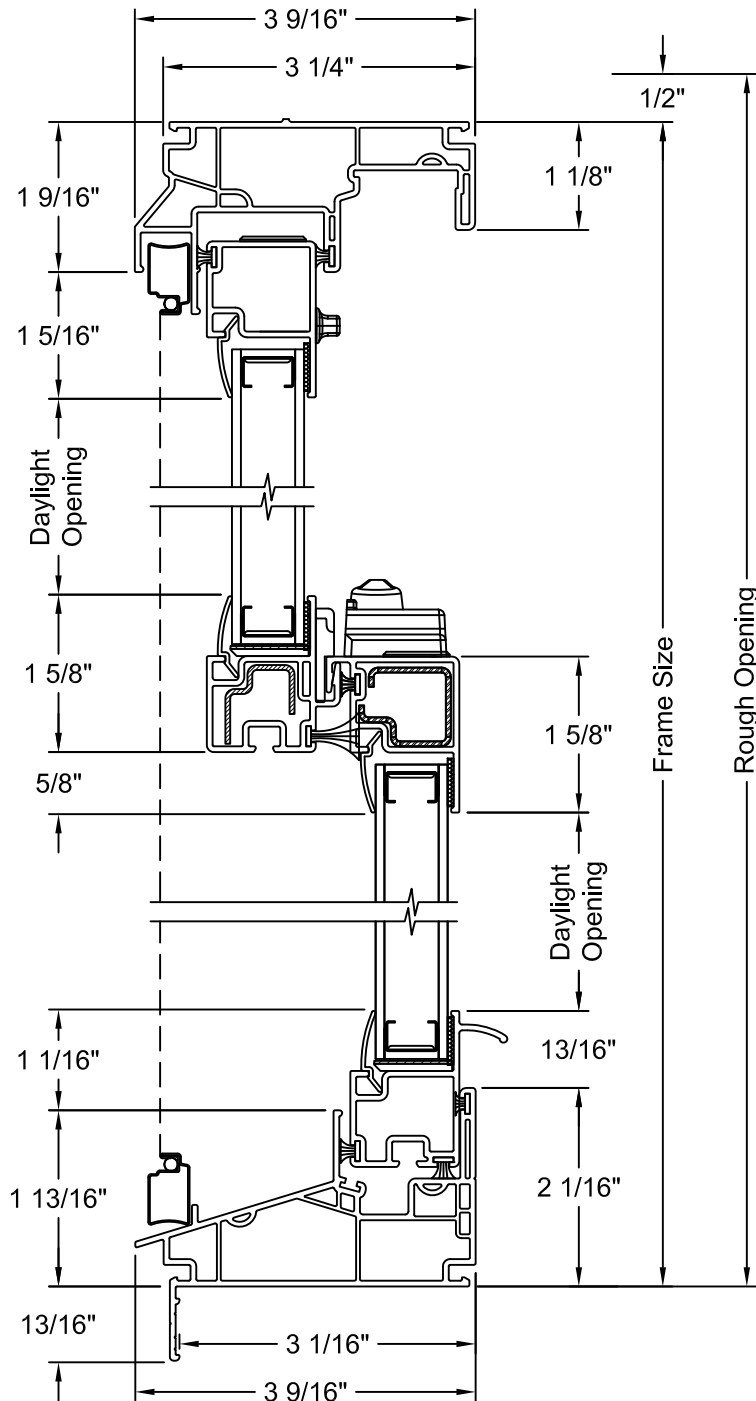
MULLED TRANSOM - PG50 - VERTICAL SECTION





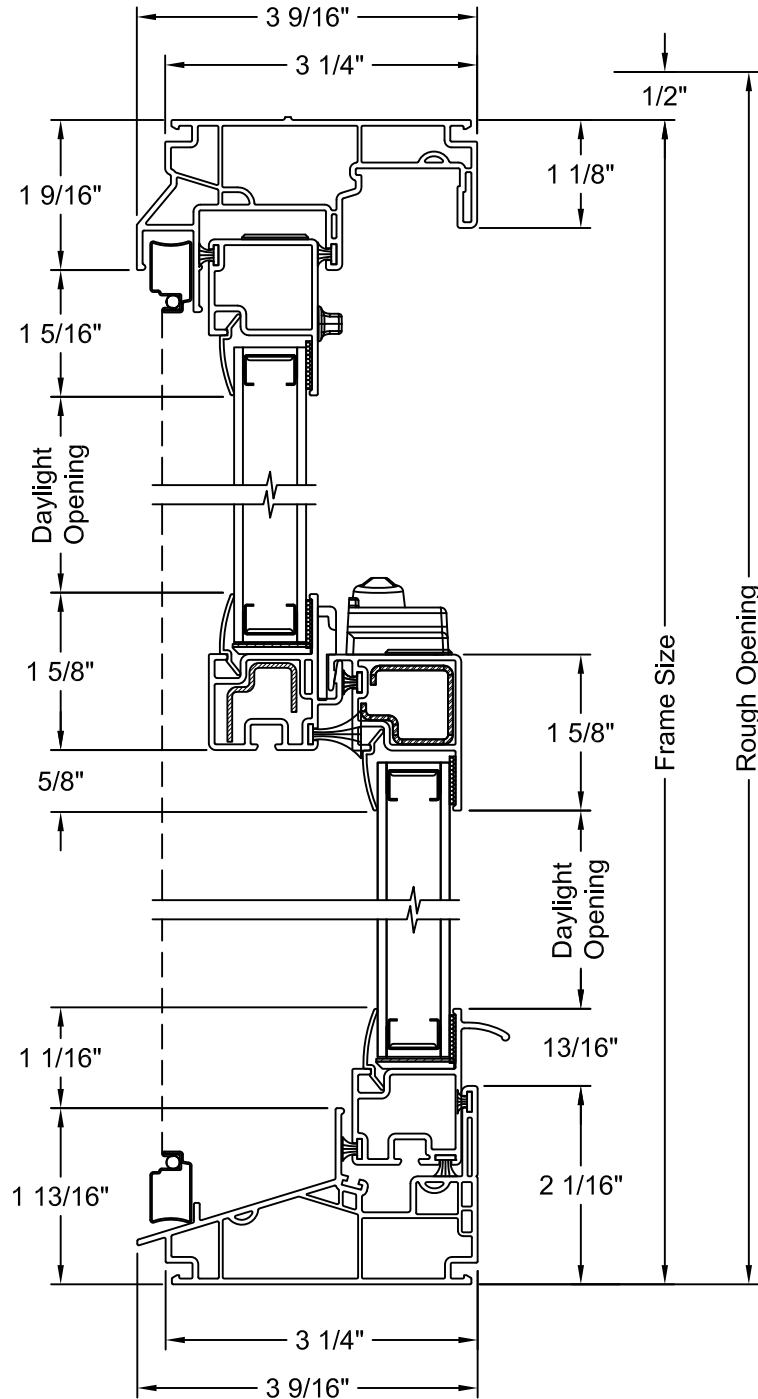


POCKET UNIT W/ FLANGE - PG20 - VERTICAL SECTION



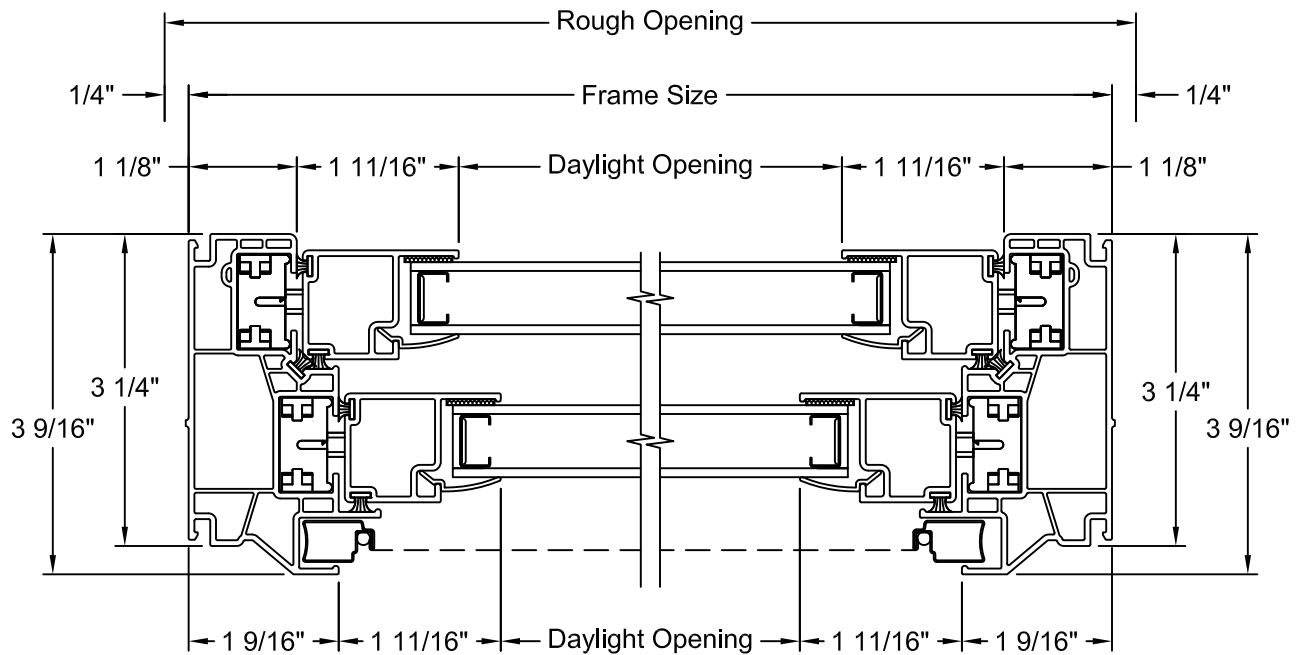


POCKET UNIT W/O FLANGE - PG20 - VERTICAL SECTION



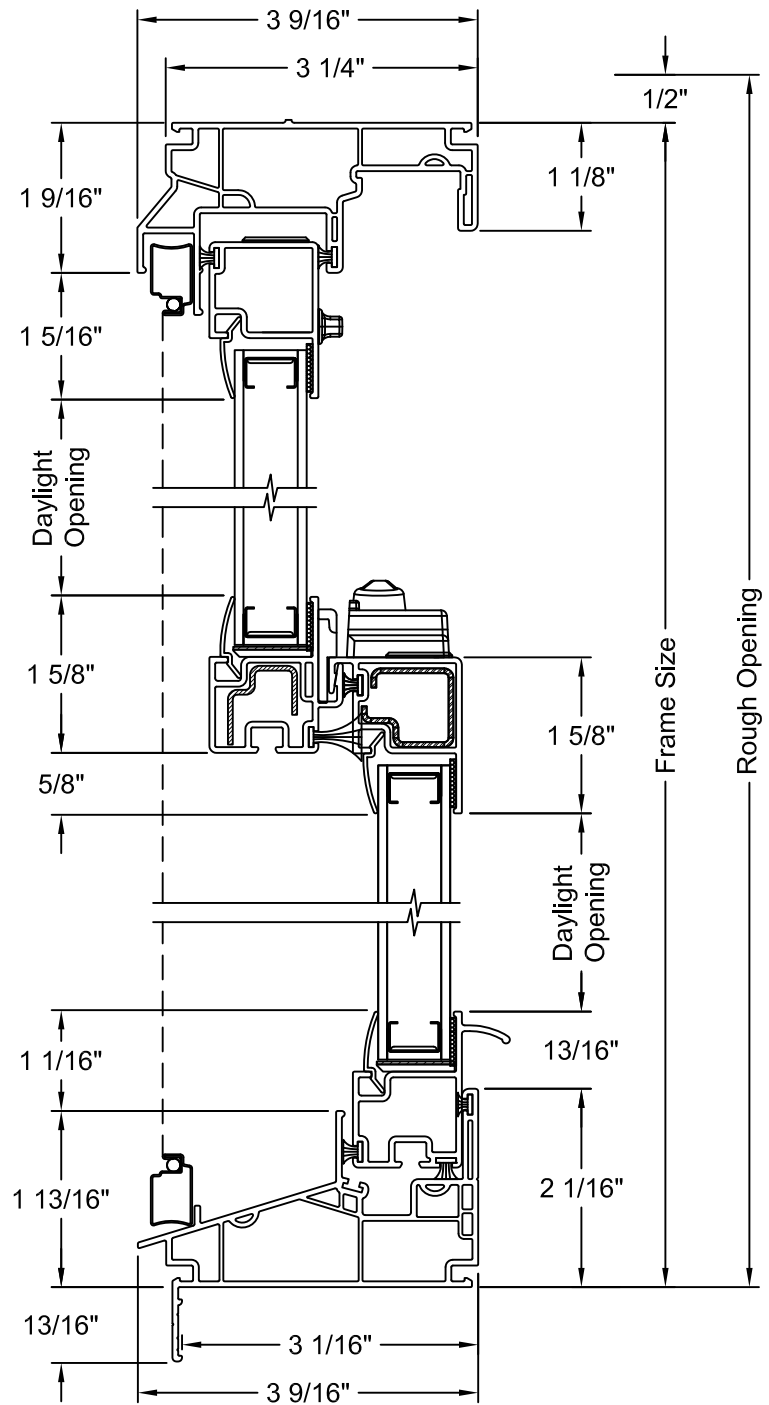


POCKET UNIT W/O FLANGE - PG20 - HORIZONTAL SECTION



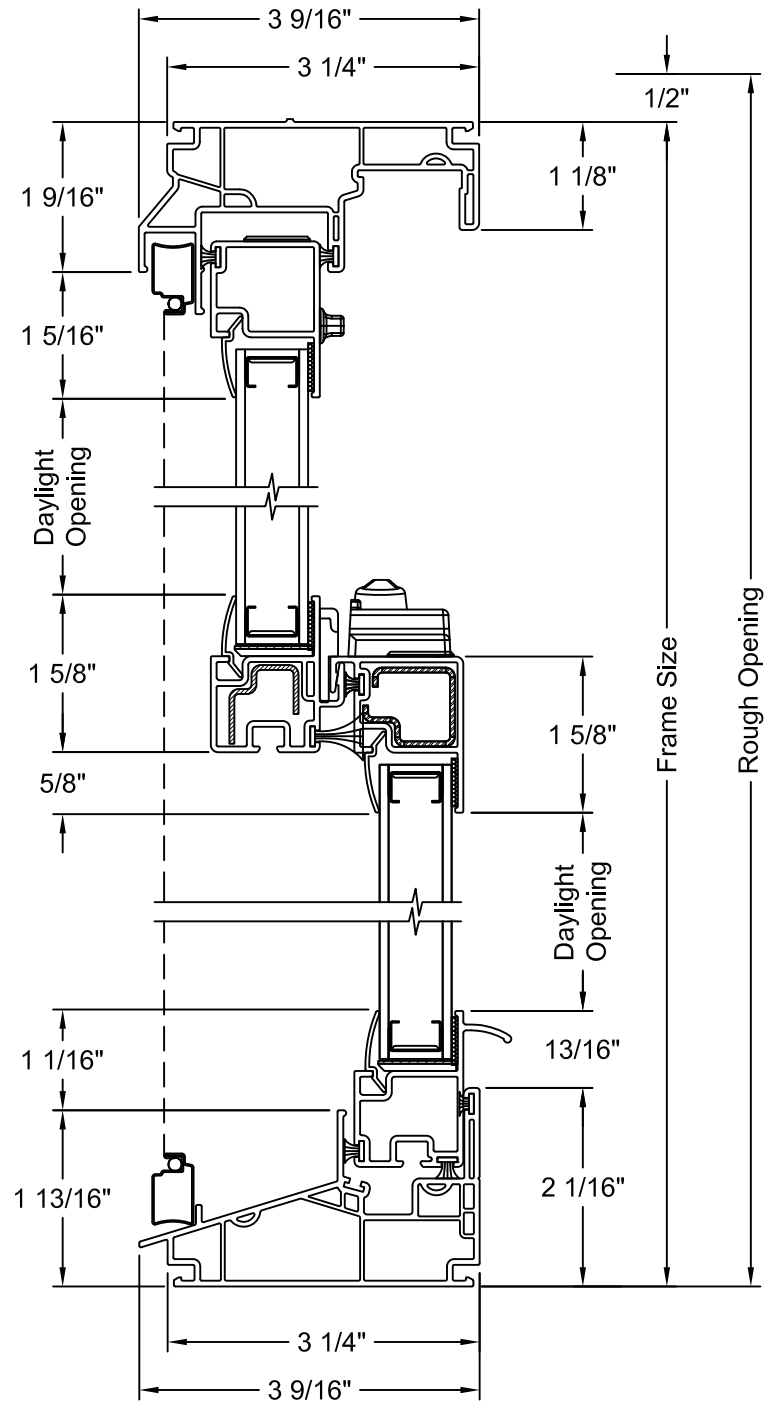


POCKET UNIT W/ FLANGE - PG50 - VERTICAL SECTION w/ FLANGE



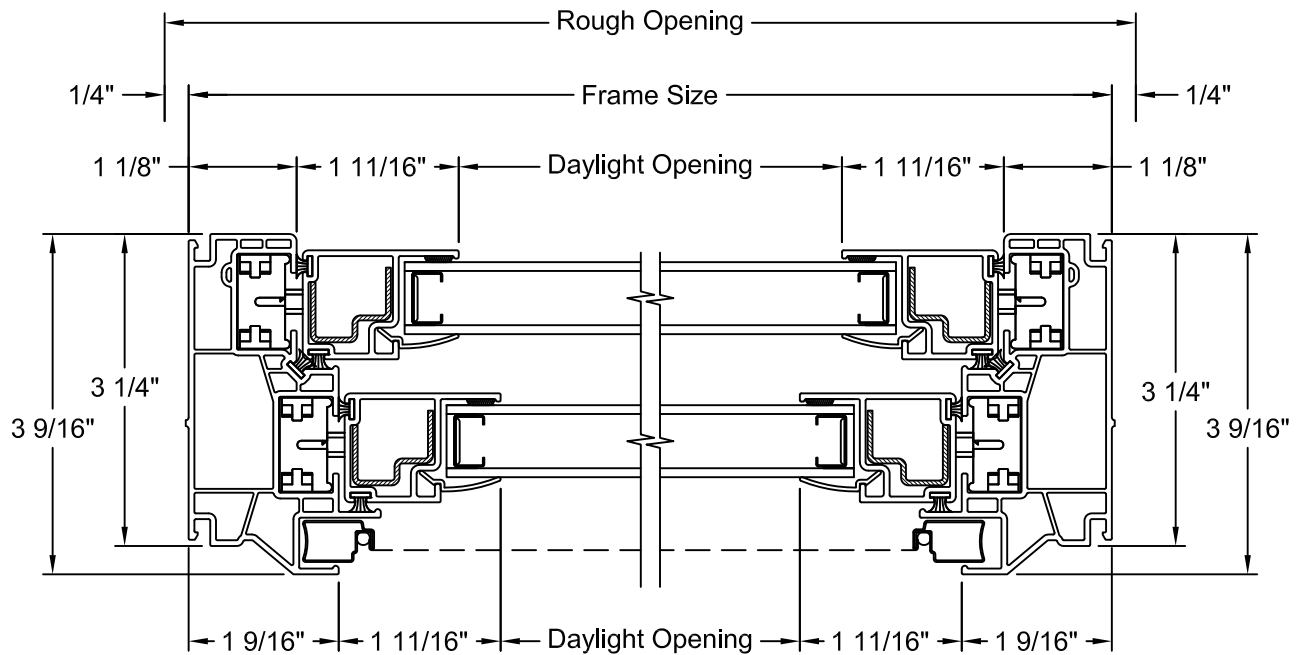


POCKET UNIT W/O FLANGE - PG50 - VERTICAL SECTION



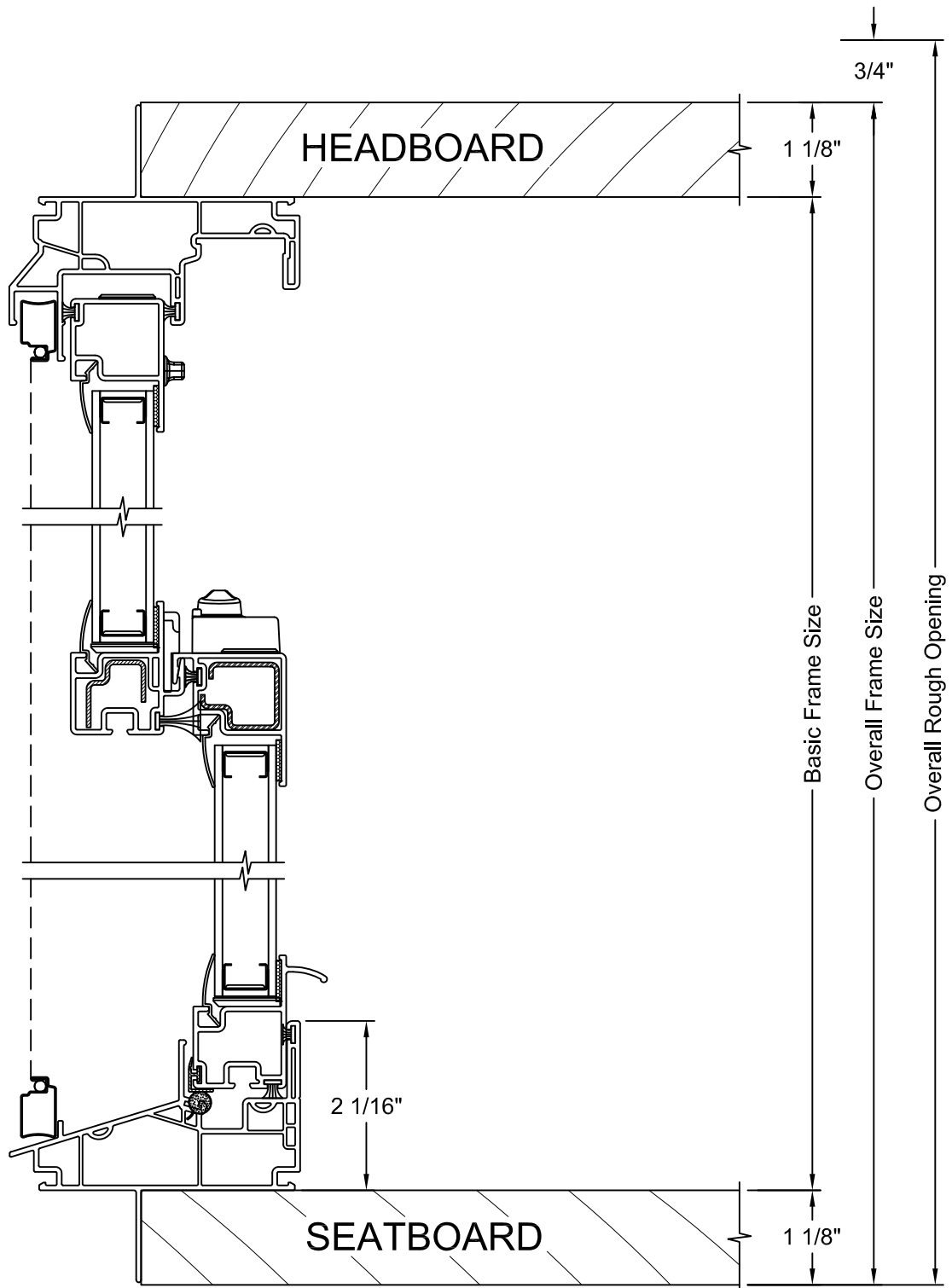


POCKET UNIT - PG50 - HORIZONTAL SECTION





BAY UNIT - PG20 - VERTICAL SECTION

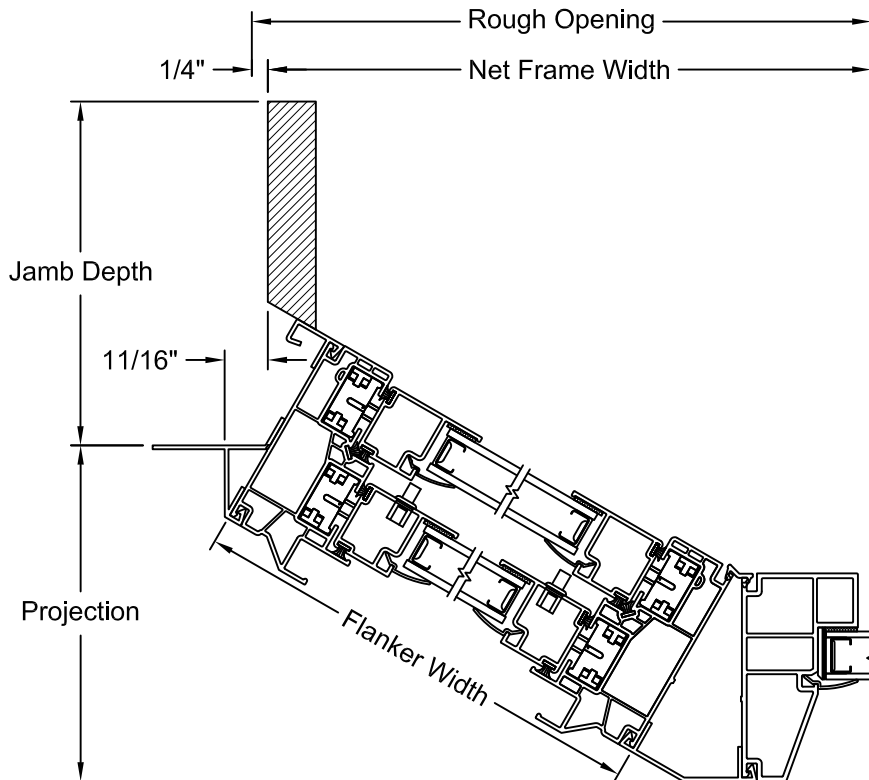
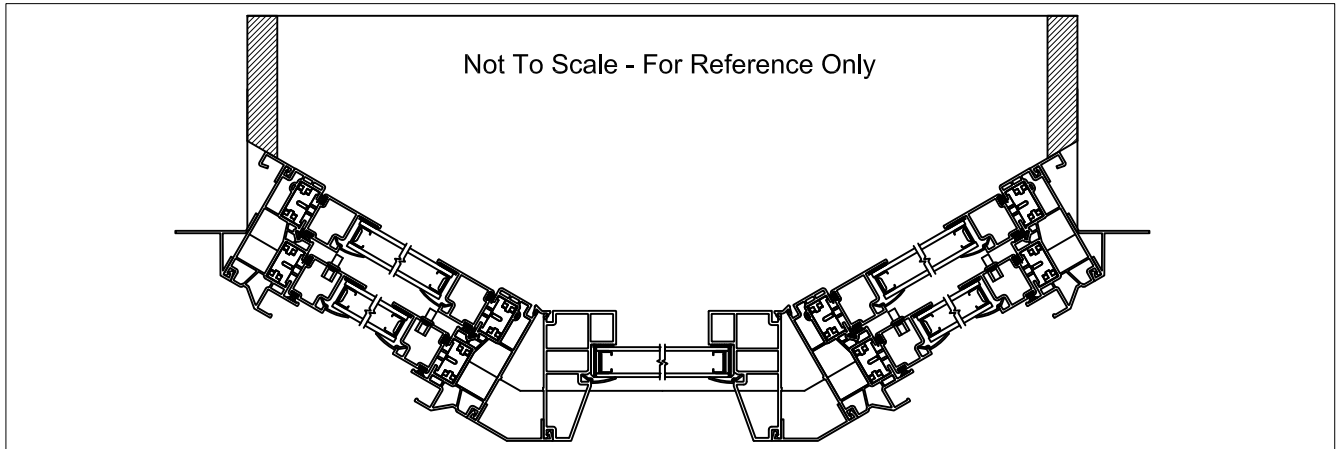


NOTES:

- 1. Dimensional details available upon ordering



BAY UNIT - 30° - HORIZONTAL SECTION



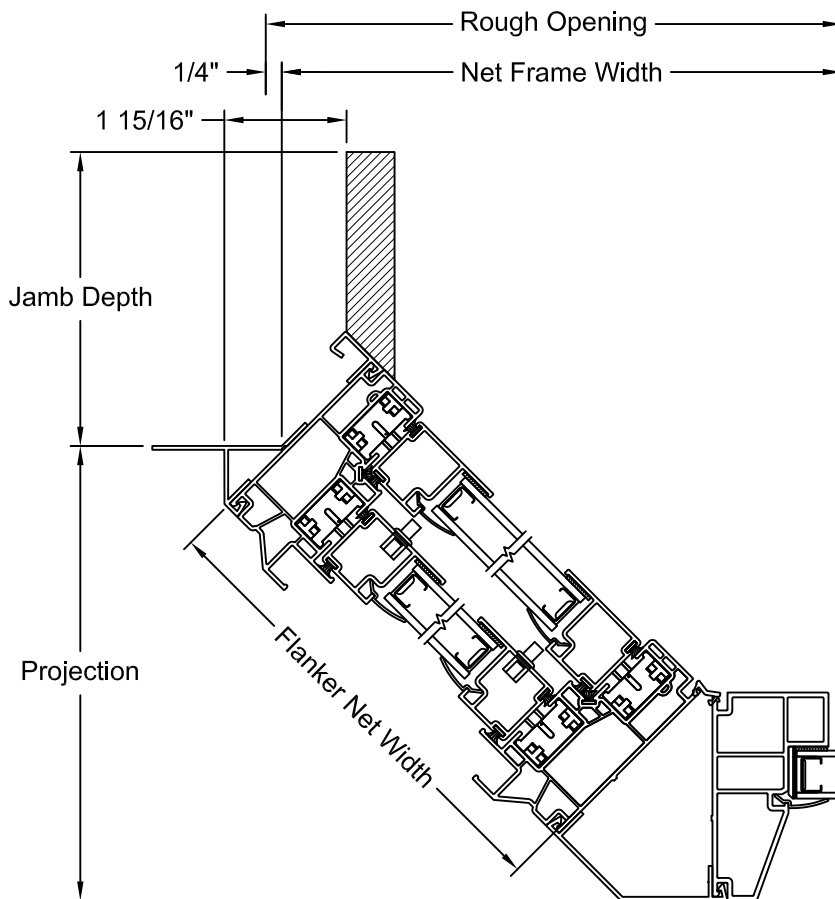
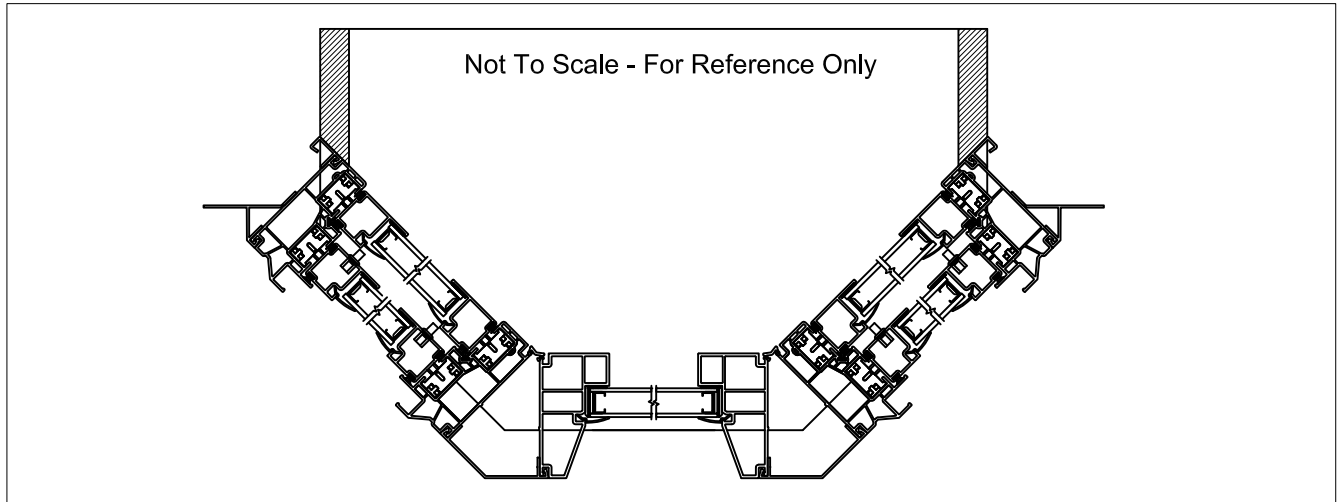
NOTES:

1. Dimensional details available upon ordering
2. Jamb Depths available in 4 9/16" and 6 9/16"
3. Fixed center window shown, operating center window available





BAY UNIT - 45° - HORIZONTAL SECTION

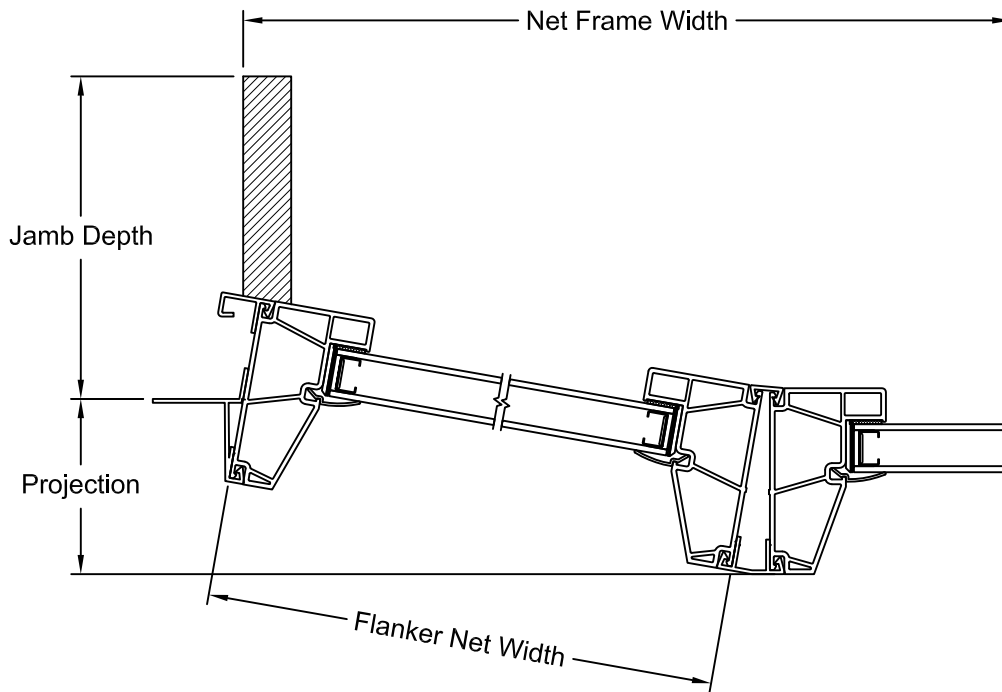
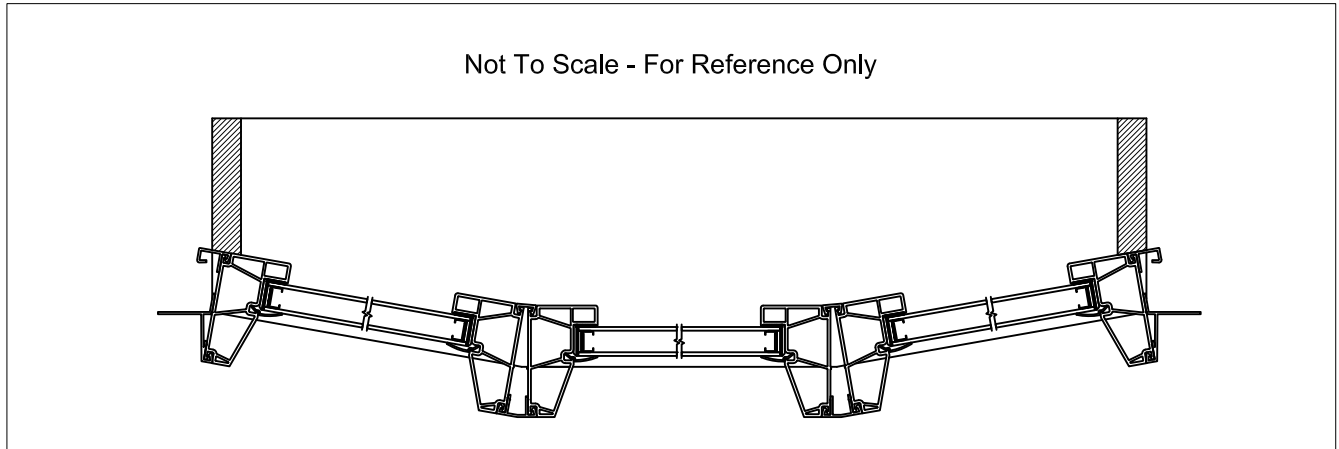


NOTES:

1. Dimensional details available upon ordering
2. Jamb Depths available in 4 9/16" and 6 9/16"
3. Fixed center window shown, operating center window available



3-WIDE BOW UNIT - 10° - HORIZONTAL SECTION

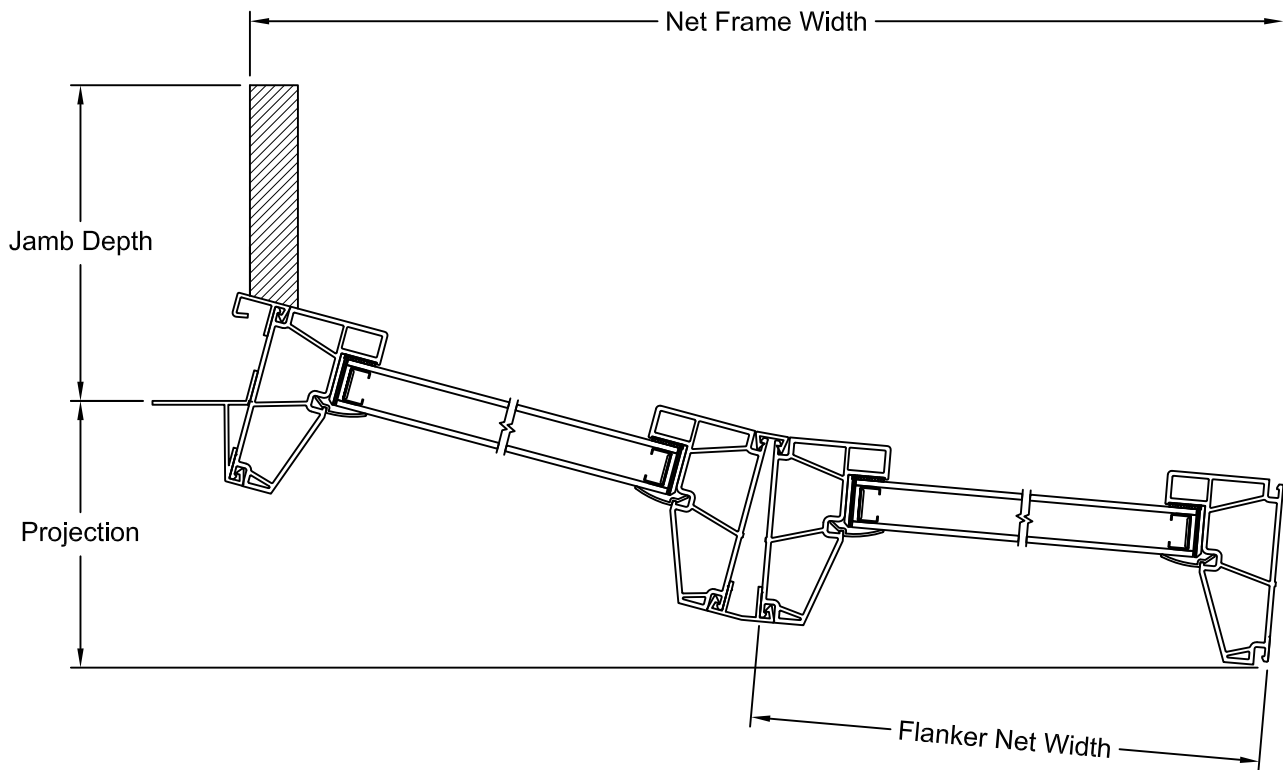
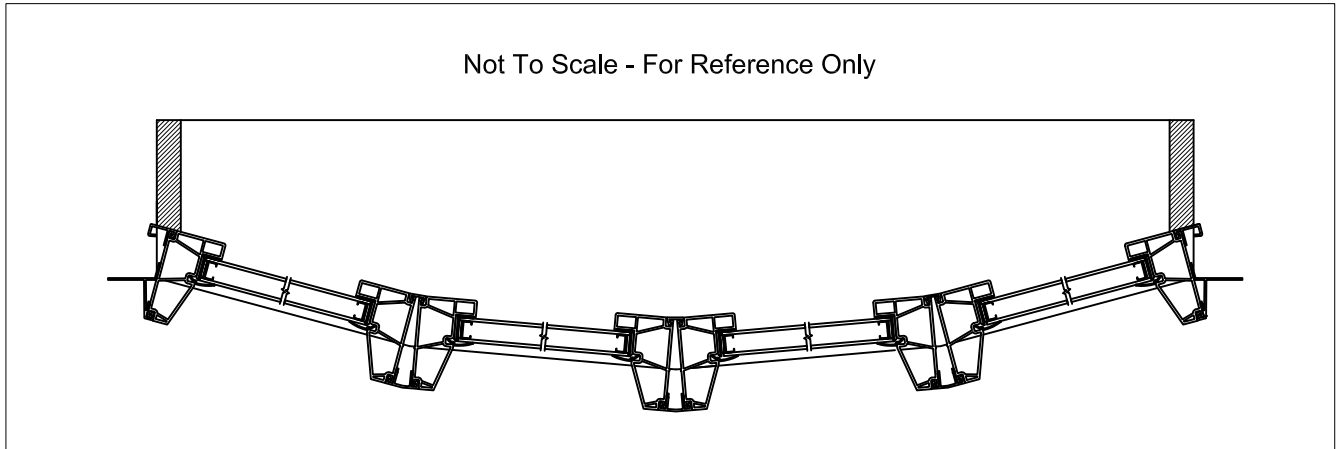


NOTES:

1. Dimensional details available upon ordering
2. Jamb Depths available in 4 9/16" and 6 9/16"
3. Picture frame shown, other frames available



4-WIDE BOW UNIT - 10° - HORIZONTAL SECTION

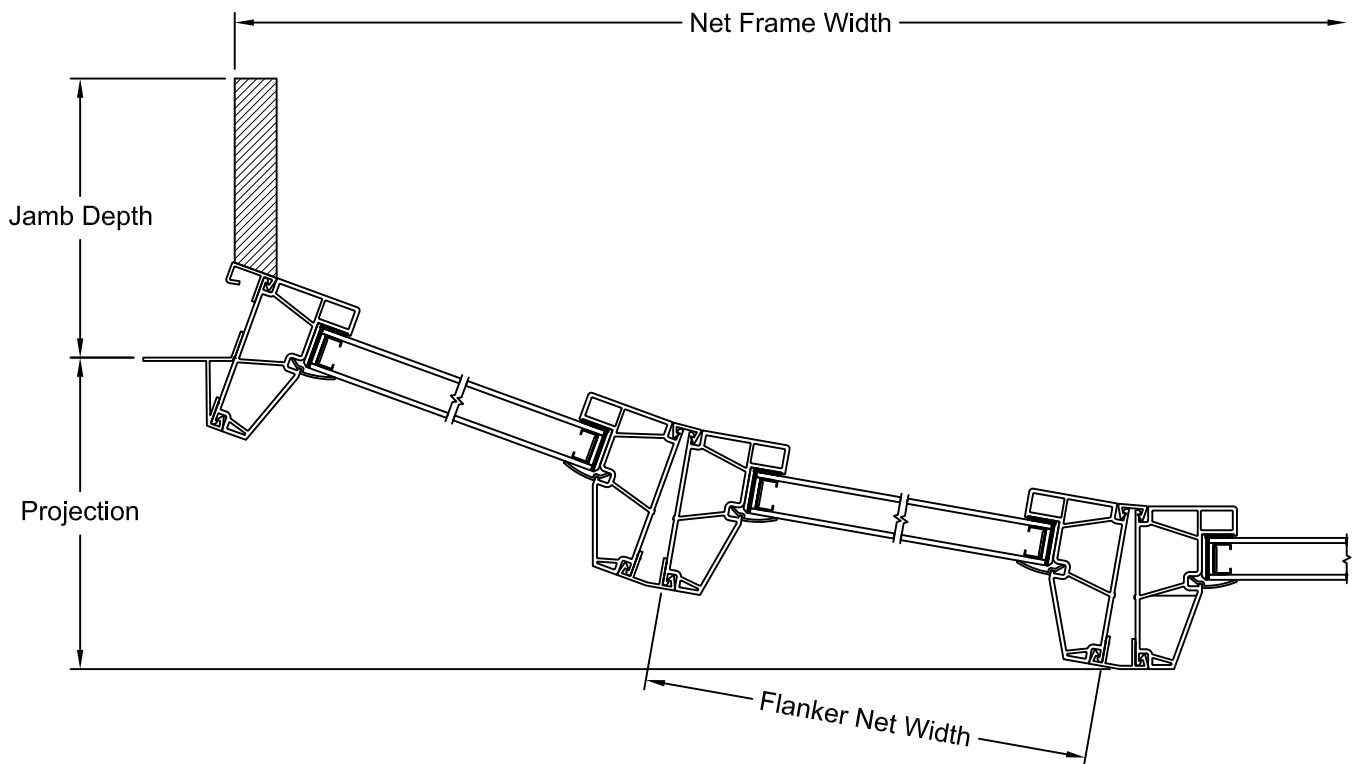
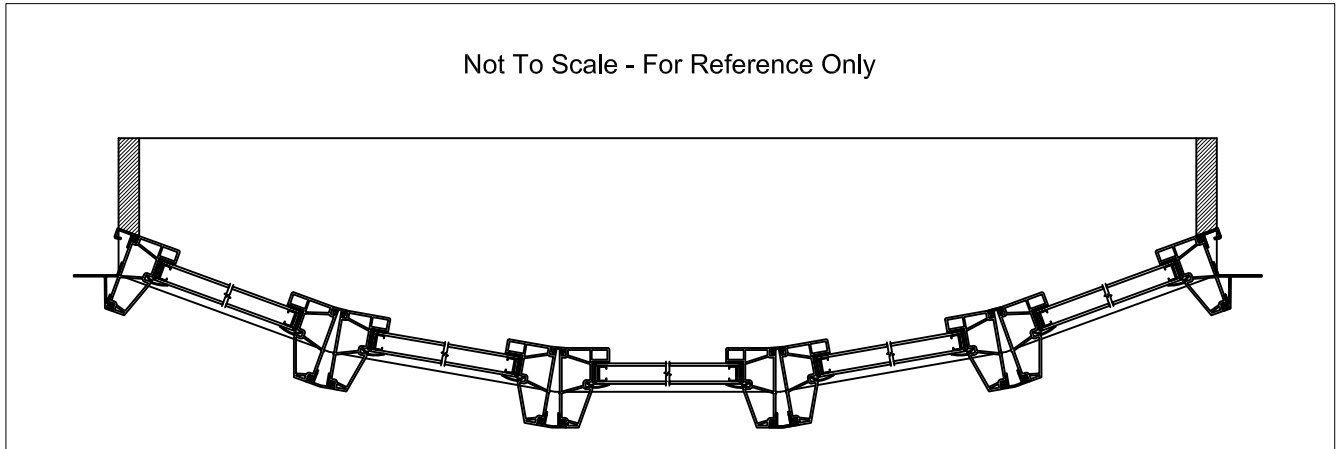


NOTES:

1. Dimensional details available upon ordering
2. Jamb Depths available in 4 9/16" and 6 9/16"
3. Picture frame shown, other frames available



5-WIDE BOW UNIT - 10° - HORIZONTAL SECTION



NOTES:

1. Dimensional details available upon ordering
2. Jamb Depths available in 4 9/16" and 6 9/16"
3. Picture frame shown, other frames available