



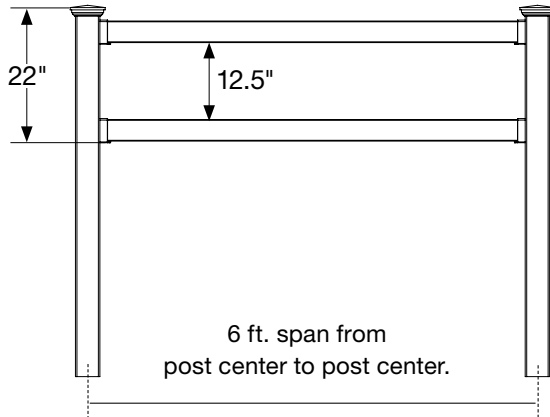
OUTDOOR
ESSENTIALS®

COMPOSITE RANCH RAIL FENCE

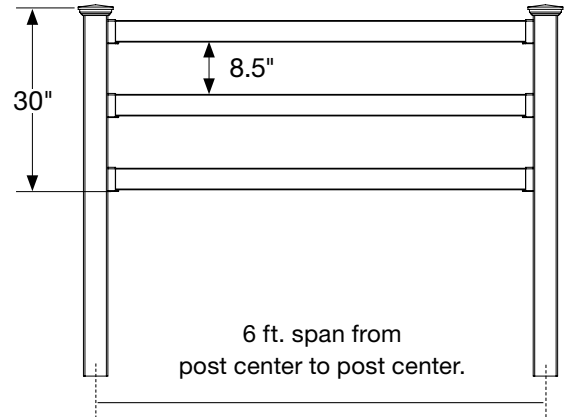
INSTALLATION INSTRUCTIONS

For 2-rail, 3-rail, or 4-rail kits

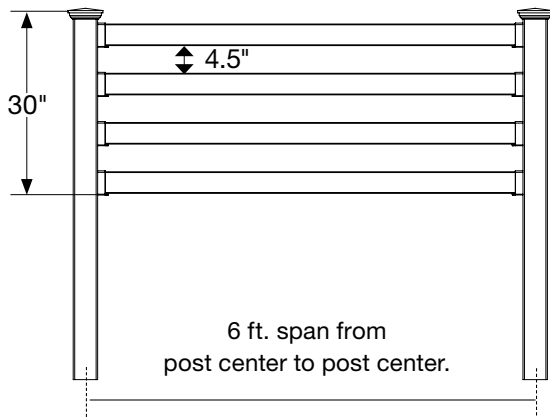
2-RAIL



3-RAIL



4-RAIL



ITEMS YOU WILL NEED:

- Post hole digger and shovel
- Concrete and gravel
- PVC cement
- String line, stakes, and level
- Shims and clamps
- Power drill
- T-25 bit
- 1/8" drill bit
- Miter or circular saw with carbide-tipped blade (if needed)
- Tape measure
- Rubber mallet
- Safety glasses/goggles

Before you begin:

- Check local ordinances and regulations to ensure compliance.
- Contact your local utility companies to mark any underground cables and pipelines before digging any post holes.
- It's a good idea to discuss plans with any neighbors along your proposed fence line.

Design & Layout:

- Determine the number of kits needed to complete the job based on the total linear footage. Each kit is designed to span 6 feet in length from post center to post center.
- Locate property boundaries and drive stakes into the ground at corners and ends of the fence line, based on local municipality regulations.
- Stretch twine or heavy string between stakes and pull tight to mark the layout of fence line.
- Mark post hole locations in the following order along the string line:
 - End/corner posts
 - Line posts

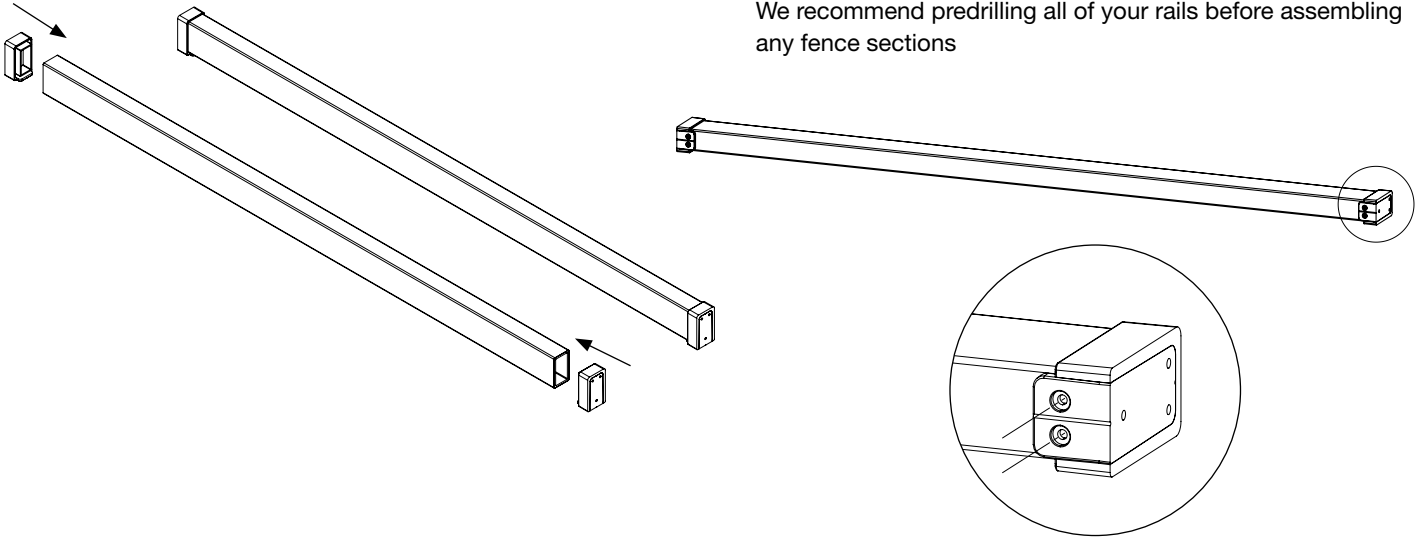
COMPOSITE RANCH RAIL FENCE – INSTALLATION INSTRUCTIONS

STEP 1 PREDRILL HOLES IN RAILS

1. Place the closed bracket on the end of each rail.

2. Using a 1/8" drill bit, predrill through the two holes on the bottom of the L-bracket. Do this on both sides of the rail. Then remove brackets until later.

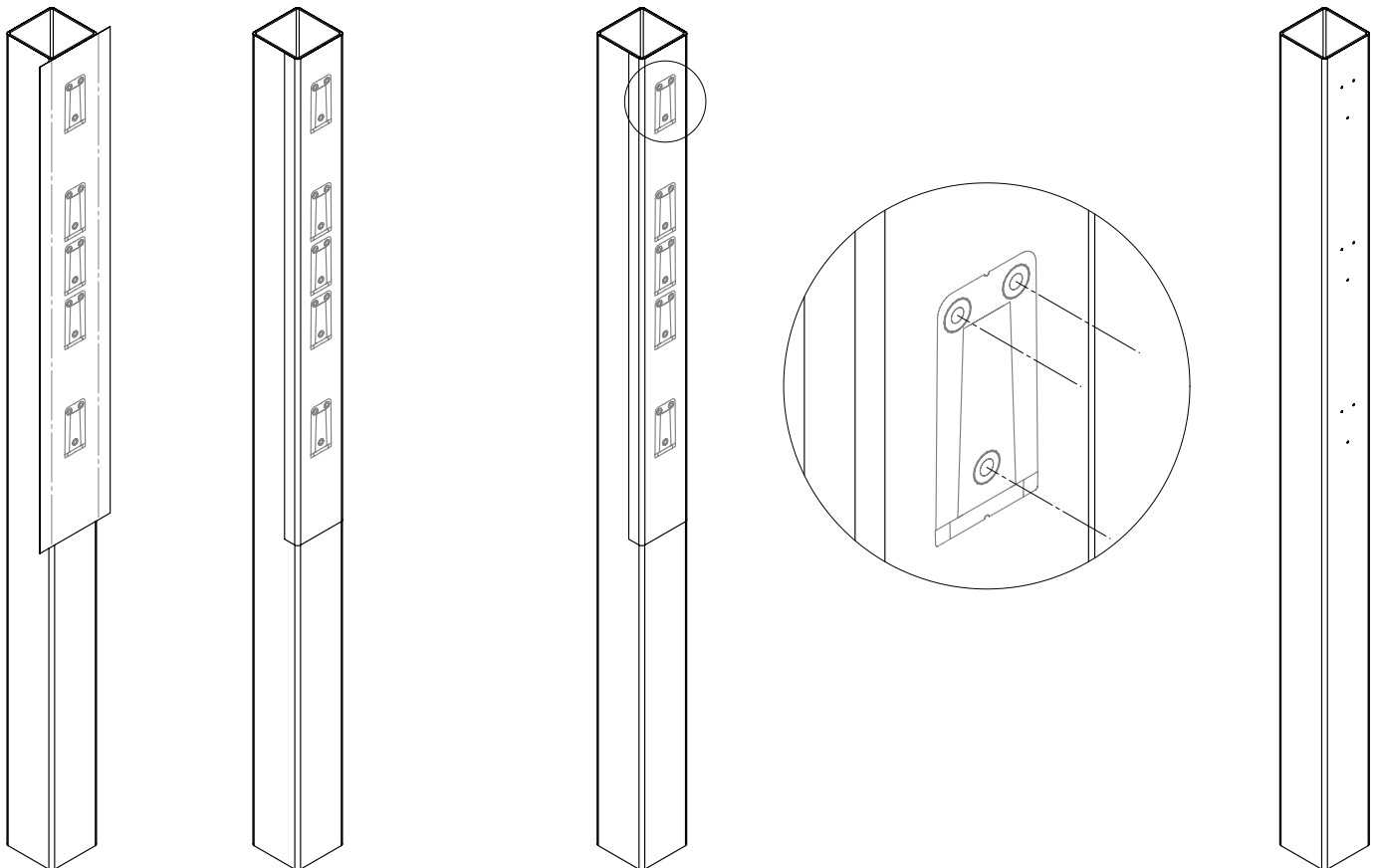
We recommend predrilling all of your rails before assembling any fence sections



STEP 2 PREDRILL HOLES IN POSTS

1. Align the included template with the top of the post. Fold edges around and tape to the post.

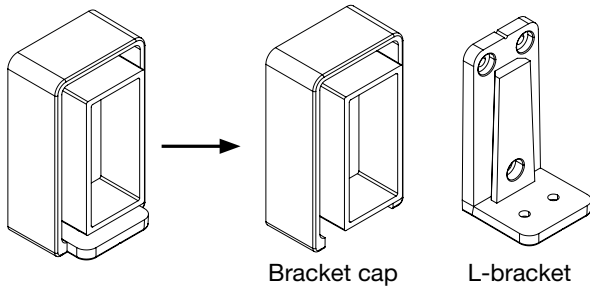
2. Using a 1/8" drill bit, predrill the holes where indicated for the ranch rail style you choose (2-rail, 3-rail, or 4-rail). Remove the template. We recommend predrilling all posts before assembly.



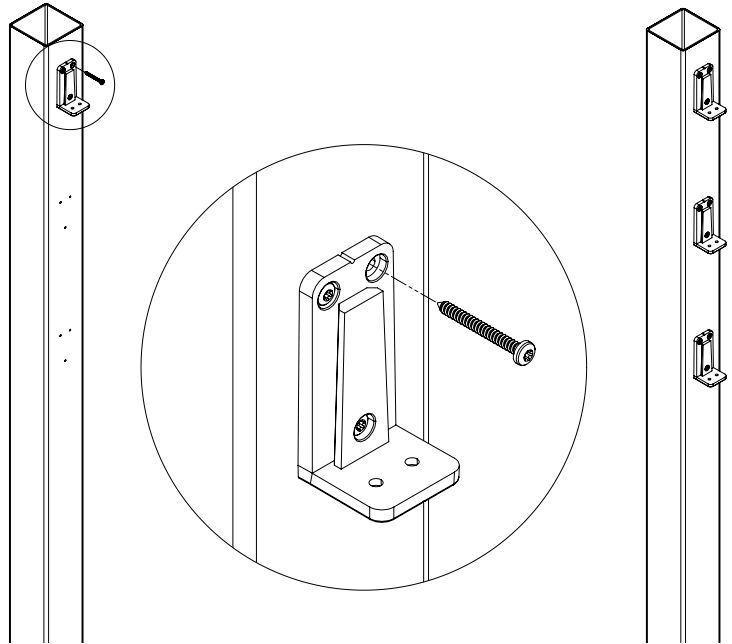
COMPOSITE RANCH RAIL FENCE – INSTALLATION INSTRUCTIONS

STEP 3 INSTALL THE L-BRACKETS TO THE POSTS

1. Pull the brackets apart so there are two parts – L-bracket and bracket cap.

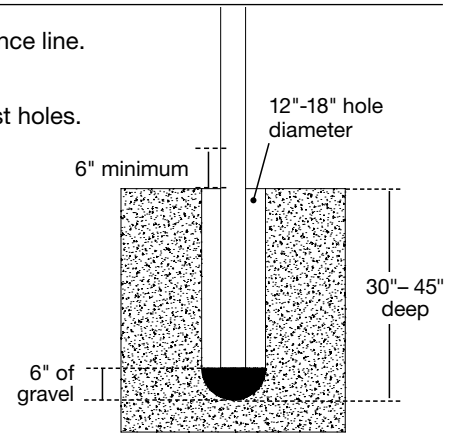


2. Using a T-25 torque bit, attach the L-brackets to the posts through the predrilled holes using the 1-3/4" screws provided. Do this on all posts before assembly.



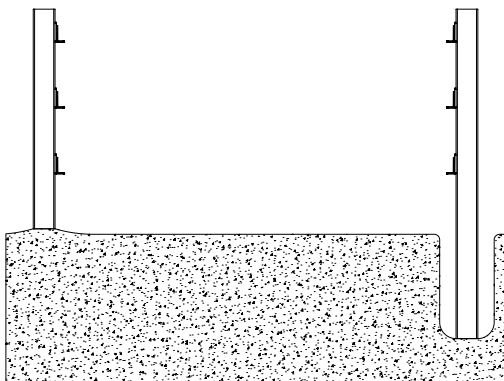
STEP 4 DIG POST HOLES AND SET POSTS

- Note – we recommend you dig and set posts one at a time as you're building down the fence line.
- Dig post holes 18" – 24" in diameter and 30" – 45" deep (depending on local ordinance or expected frost depth in winter). Keep the height of the rails in mind when digging your post holes. We recommend a minimum of 6" between the bottom rail and the ground.
- Backfill the holes with 6" of gravel.
- Starting in the corner, mix concrete in the first hole per the instructions on the bag. Mix thoroughly and install the post into the hole and tap the post to the proper depth.
- Using a level, ensure post is plumb. Brace the post with temporary supports as the concrete sets (per the instructions).
- Follow these steps to install the remaining posts

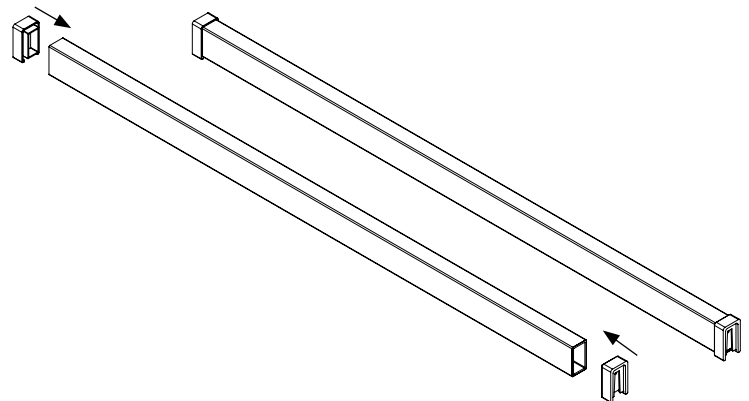


STEP 5A ASSEMBLE THE FENCE SECTION

1. Set first post in concrete per the instructions in step four. Place the second post in the second post hole.



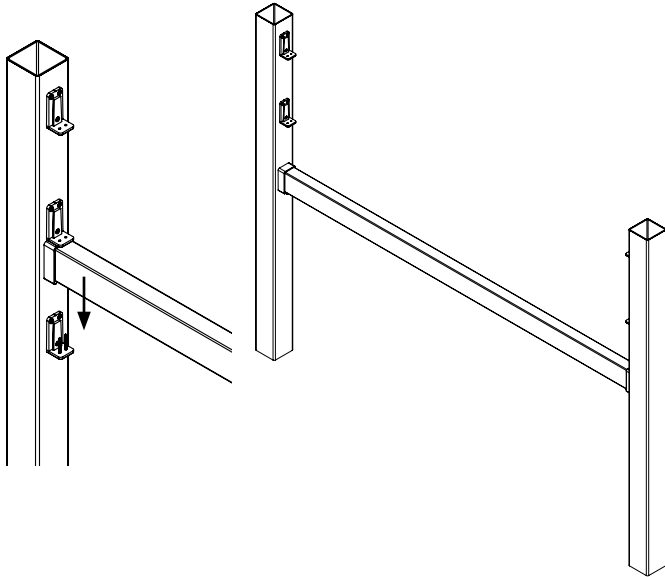
2. Slide the bracket caps on both ends of the rails.



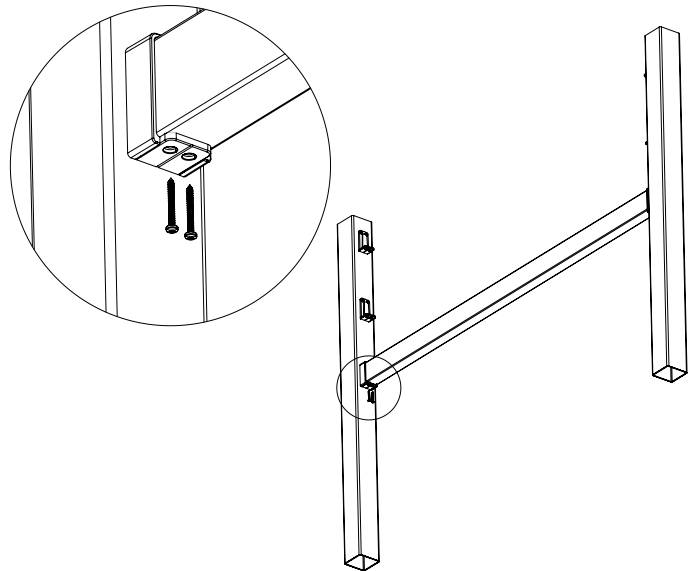
COMPOSITE RANCH RAIL FENCE – INSTALLATION INSTRUCTIONS

STEP 5B ASSEMBLE THE FENCE SECTION

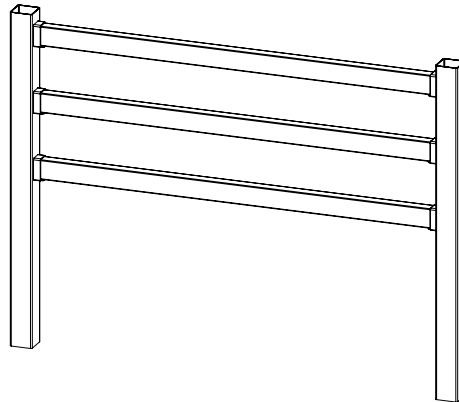
1. Slide one rail onto the bottom L-brackets.



2. Attach the bottom rail to the brackets using the short screws provided.

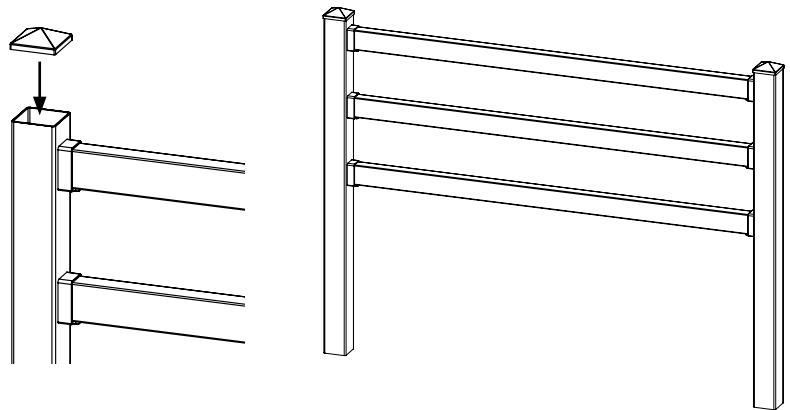


3. Slide the bracket caps on the remaining rails and slide onto the L-brackets. Attach the rails to the brackets using the short screws.



STEP 6 FINISH THE FENCE SECTION

1. Set the second post. Wait until the post is set and continue the remaining sections, setting the posts after the assembly is complete.
2. Attach one post cap to each post using PVC cement.



Pg. 4

THE DIAGRAMS AND INSTRUCTIONS IN THIS BROCHURE ARE FOR ILLUSTRATION PURPOSES ONLY AND ARE NOT MEANT TO REPLACE A LICENSED PROFESSIONAL. ANY CONSTRUCTION OR USE OF THE PRODUCT MUST BE IN ACCORDANCE WITH ALL LOCAL ZONING AND/OR BUILDING CODES. THE CONSUMER ASSUMES ALL RISKS AND LIABILITY ASSOCIATED WITH THE CONSTRUCTION OR USE OF THIS PRODUCT. THE CONSUMER OR CONTRACTOR SHOULD TAKE ALL NECESSARY STEPS TO ENSURE THE SAFETY OF EVERYONE INVOLVED IN THE PROJECT, INCLUDING, BUT NOT LIMITED TO, WEARING THE APPROPRIATE SAFETY EQUIPMENT. EXCEPT AS CONTAINED IN THE WRITTEN LIMITED WARRANTY, THE WARRANTOR DOES NOT PROVIDE ANY OTHER WARRANTY, EITHER EXPRESS OR IMPLIED, AND SHALL NOT BE LIABLE FOR ANY DAMAGES, INCLUDING CONSEQUENTIAL DAMAGES.

©2020 UFP Retail, LLC. Outdoor Essentials is a registered trademark of UFP Industries, Inc.

All rights reserved. 2801 E. Beltline NE, Grand Rapids, MI 49525 11127_3/20

OutdoorEssentialProducts.com