

# JACKEL™

Trusted Since 1972

## Installation Guide

### Sump Basin Cover

Model: SF1850E

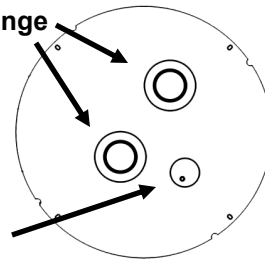
#### Package Contents



1.5 in. Flange  
(2 ct.)

Cover →

Cord  
Grommet



4 x Bolts &  
Washers



Seal Tape



2 in. Flange



3 in. Flange

#### Tools Required



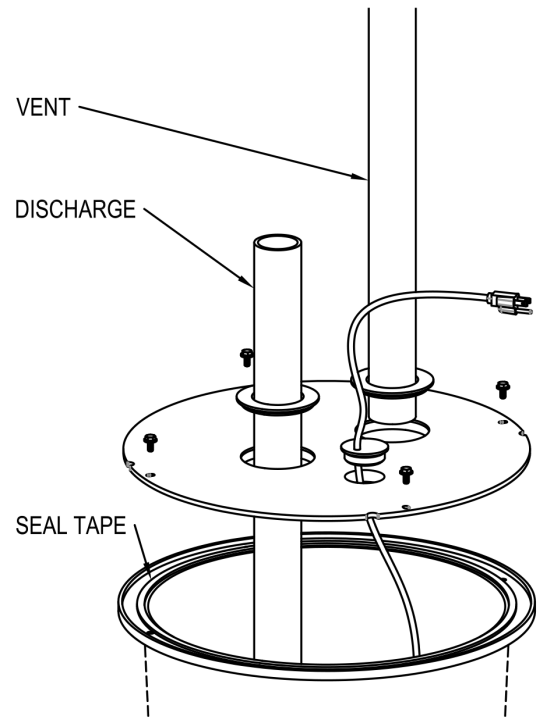
Safety Goggles



7/16" Wrench

#### Installation:

1. Unplug your pump.
2. Remove pipes and cord grommet from cover.
3. Apply seal tape to basin rim inside the bolt circle.
4. Pull your pump's power cord through the cover's cord hole.
5. Slide the cover over the pump's discharge pipe through the discharge opening.
6. Bolt the cover down with the discharge pipe positioned in the center of the discharge opening. Do not overtighten. Slide the discharge pipe flange over the discharge pipe and snap in place in the cover.
7. Slide the vent pipe flange up over your vent pipe. Position the vent pipe in the center of the vent opening extending into the basin at least one inch. The vent pipe will need to be self-supporting in this position as the flange will not support the vent pipe. Snap the vent flange into the cover.
8. Pull the pump's power cord through the cord opening, eliminating slack inside the basin. Insert the cord through the cord hole in the cord grommet and press the cord grommet into the cover.
9. Install your check valve and the rest of your discharge plumbing to complete your installation.



#### Safety Information:



**WARNING:** Failure to install basin cover as shown will create a safety risk. Install cover as shown.

**Warranty:** For more information please visit our website: [www.jackelinc.com/warranty](http://www.jackelinc.com/warranty)