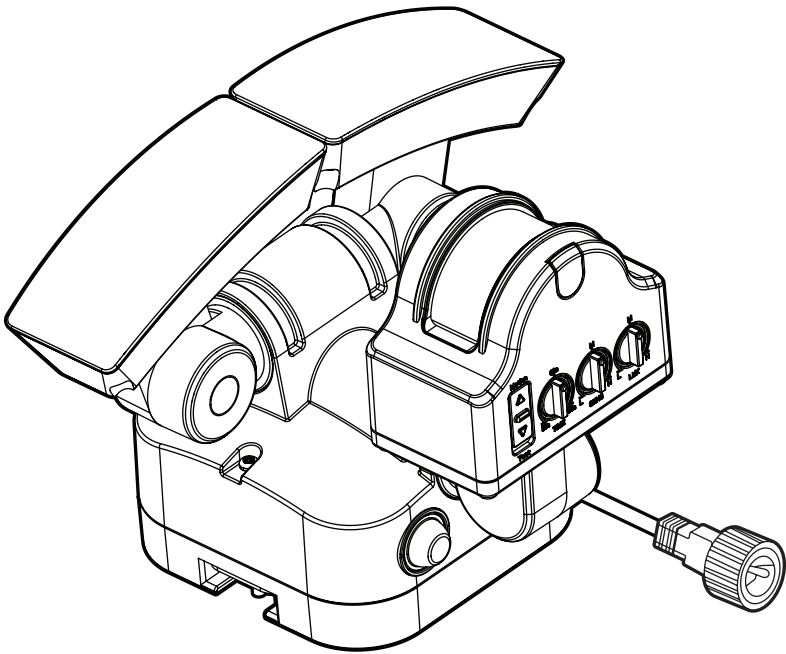


DEFIANT®

Item #1005 536 300
Model #DFI-0553-WH

USE AND CARE GUIDE

MOTION SECURITY LIGHT



Questions, problems, missing parts? Before returning to the store,
call Defiant Customer Service
8 a.m. - 7 p.m., EST, Monday - Friday, 9 a.m. - 6 p.m., EST, Saturday

1-866-308-3976

HOMEDEPOT.COM

THANK YOU

We appreciate the trust and confidence you have placed in Defiant through the purchase of this motion security light. We strive to continually create quality products designed to enhance your home. Visit us online to see our full line of products available for your home improvement needs. Thank you for choosing Defiant!

Table of Contents

Safety Information	2	Mounting Location	4
Precautions	2	Solar Panel	4
FCC Notice	2	Specifications	5
Warranty	3	Tools Required	5
3-Year Limited Warranty	3	Hardware Included	5
What Is Covered	3	Package Contents	6
What Is Not Covered	3	Installation	7
Pre-Installation	4	Operation	10
Planning Installation	4	Maintenance	14
Product Description	4	Care And Cleaning	14
Initial Battery Charge	4	Troubleshooting	15
Light Fixture.....	4		

Safety Information

PRECAUTIONS

- Please read and understand this entire manual before attempting to assemble, install, or operate this light fixture.
- The light fixture should be mounted approximately 8 ft. (2.4 m) above the ground.
- Do not cut the solar panel wire. Discontinue use if the wire becomes frayed or broken.
- Do not immerse components in liquid.
- Do not use any other charging device other than the single solar charging panel provided with this light. Doing so may result in injury or damage to the light and voids any warranty.
- Position the cord so that it is securely fastened and will not result in a hazard (such as tripping).



WARNING: To prevent possible **SERIOUS INJURY** or **DEATH**, never allow small children near batteries. If a battery is swallowed, immediately notify a doctor.



WARNING: DO NOT DISPOSE OF BATTERIES IN FIRE. BATTERIES MAY EXPLODE OR LEAK.



WARNING: Do not mix old and new batteries.



WARNING: Do not mix alkaline, standard (carbon-zinc), or rechargeable (Ni-Cad, Ni-MH, etc.) batteries.

NOTICE: When replacing batteries, recycle used batteries or dispose of them in accordance with local regulations.

Warranty

3-YEAR LIMITED WARRANTY

WHAT IS COVERED

This product is guaranteed to be free of factory defective parts and workmanship for a period of 3 years from date of purchase. Purchase receipt is required for all warranty claims.

WHAT IS NOT COVERED

This guarantee does not include repair service, adjustment and calibration due to misuse, abuse or negligence. Unauthorized service or modification of the product or of any furnished component will void this warranty in its entirety. This warranty does not include reimbursement for inconvenience, installation, setup time, loss of use, unauthorized service, or return shipping charges. This warranty is not extended to other equipment and components that a customer uses in conjunction with this product.

No service parts available for this product.

Contact the Customer Service Team at 1-866-308-3976 or visit www.HomeDepot.com.

Pre-Installation

PLANNING INSTALLATION

Before installing the light fixture, ensure that all parts are present. Compare parts with the Hardware Included and Package Contents sections. If any part is missing or damaged, do not attempt to assemble, install, or operate this light fixture.

Estimated installation time: 30 minutes

INITIAL BATTERY CHARGE



IMPORTANT: Clouds, rain, snow, and other weather conditions may not allow the solar panel to completely recharge the battery. Other obstructions such as buildings or trees may block the sun as well.

- ❑ **PRIOR TO USE**, the battery will require 1 to 2 days of full, direct sunlight to completely charge with the switch in the OFF position. Connect the solar panel cord plug with the connector extending from the bottom of the light housing. If possible, aim the solar panel toward the South and tilt it approximately 50° from horizontal.
- ❑ Actual operating time will vary depending upon how frequently the light is turned on by the motion sensor.
- ❑ Solar lighting is not designed to equal standard 120V lighting. The amount of light output is reduced to allow the sun time to fully recharge the battery between lighting cycles.
- ❑ Solar collection is only effective in direct sunlight. Every hour the light is on requires a minimum of 5 hours of sunlight charging.

SOLAR PANEL

The solar panel converts the sun's energy into electricity, thus charging the battery stored in the solar light fixture. The solar panel requires direct sunlight falling onto its surface for as long as possible over the course of the day.

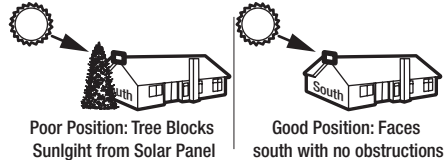
The light fixture should be installed within easy reach of the solar panel's power cord. Additional 30 ft. extension cords (sold separately) can be purchased from Homedepot.com.

PRODUCT DESCRIPTION

This light operates with a battery charged from a solar panel. If the voltage of the Nickel-metal hydride (Ni-MH) batteries run down to 3V, the light will not activate when the motion sensor is triggered. When the solar panel has recharged the Ni-MH batteries, and voltage is above 3V, the light will return to normal operation.

MOUNTING LOCATION

The most important thing to remember for the operation of your solar powered motion sensing light is that it works from the power received from direct sunlight. The solar panel works best when placed on the southern-facing portion, or the highest point, of a structure. The more direct sunlight the solar panel receives in a day, the longer the light will operate. Make sure there is a minimum amount of obstructions between the solar panel and the sun.



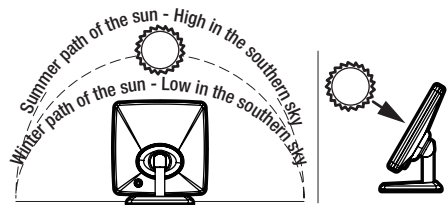
LIGHT FIXTURE

The main unit contains the LEDs, a motion sensor, and rechargeable Nickel-metal hydride batteries. When deciding where to mount this unit, keep in mind that the motion sensor that activates the light has a "field of vision" of 50 ft. (15 m) in front of the light and about 180° detection angle at a surrounding air temperature of 77°F (25°C).



NOTE: At high noon, adjust the solar panel so that it faces the sun. During any time of year, this adjustment will provide optimal positioning for collecting solar energy.

You can also angle the panel up by 50°, which should provide for adequate exposure.

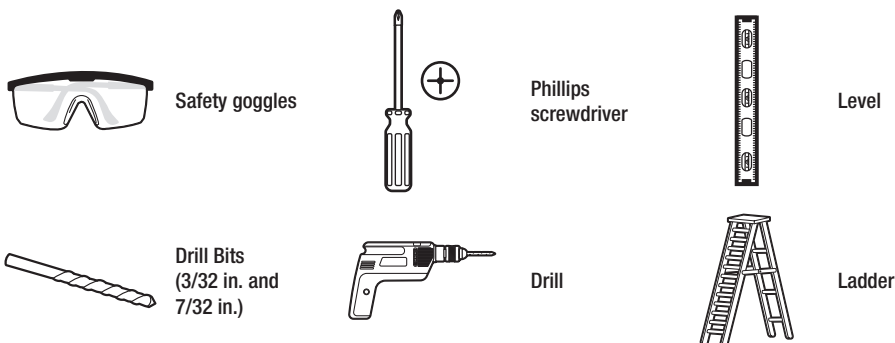


Pre-Installation (continued)

SPECIFICATIONS

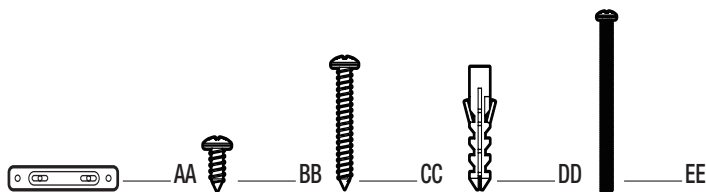
Range	Up to 50 ft. (15 m) (Varies with surrounding temperature)
Sensing angle	Up to 180°
Lumens	Solar Power: 500 LM
Power requirements	Solar panel and rechargeable Nickel-metal Hydride Batteries
Operating modes	Motion and Test
Time delay	30 to 90 seconds

TOOLS REQUIRED



HARDWARE INCLUDED

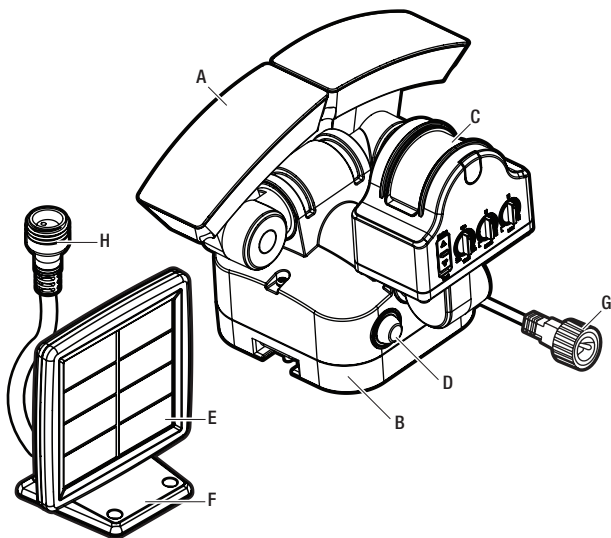
 **NOTE:** Hardware not shown to actual size.



Part	Description	Quantity
AA	Mounting plate	1
BB	Base screw	1
CC	Mounting screws	6
DD	Anchors	6
EE	Mounting bolts	2

Pre-Installation (continued)

PACKAGE CONTENTS



Part	Description	Quantity
A	Lamp head	2
B	Light fixture	1
C	Motion sensor	1
D	Power button	1
E	Solar panel	1
F	Solar panel cradle	1
G	Extendable cord (pre-assembled to light fixture (B))	1
H	Extendable cord (pre-assembled to solar panel (E))	1

Installation

1 Determining the mounting location

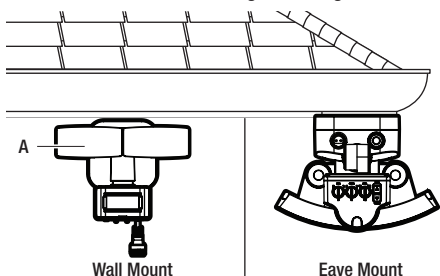


NOTE: The light fixture should be mounted approximately 8 ft. (2.4 m) above the ground.



NOTE: Ensure the fixture and the solar panel are located close enough together for the cord to reach. You can also add on an extension cord. Ensure the solar panel faces South.

- Determine the mounting location - wall or eave mount.
- Position the lamp head (A) in the general direction of the desired light coverage.

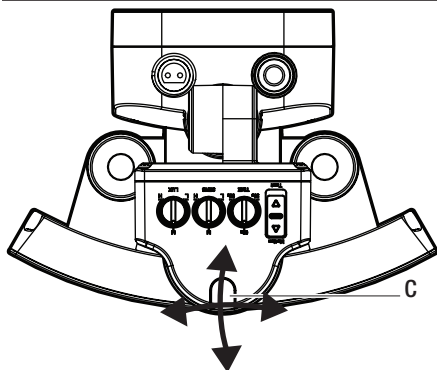
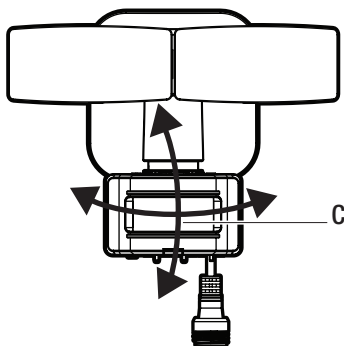


2 Setting the sensor for wall or eave mounting



NOTE: Adjust the sensor angle to a coverage desired.

- For wall mounting, tilt the sensor (C) down 10 degrees to cover up to a 50 ft. range in front.
- For eave mounting, turn the sensor (C) either clockwise or counterclockwise to the desired position.



3 Installing the mounting plate



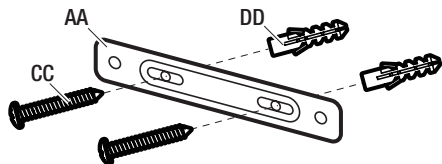
NOTE: Make sure there is enough vertical space above the mounting plate to allow the light fixture to be mounted.



NOTE: Make sure there is enough space on the left and right sides of the mounting plate to position and slide on the light.

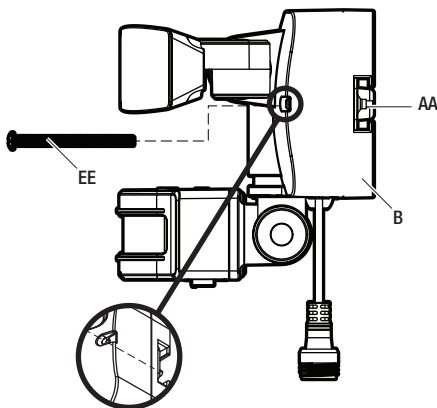
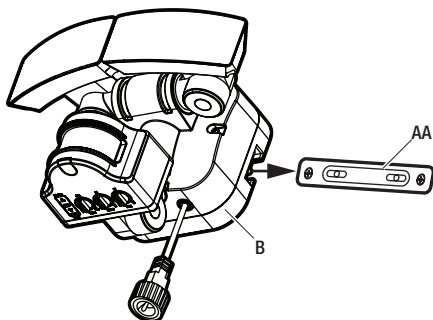
Place the mounting plate (AA) against the mounting surface and ensure the mounting plate (AA) is level. Mark the hole locations on the mounting surface, through which the mounting screws (CC) will be threaded.

- If mounting to a wooden surface, drill two 3/32 in. holes into the mounting surface. Install the two mounting screws (CC) through the mounting plate (AA) and into the mounting surface.
- If mounting to wall board or brick, drill two 7/32 in. holes into the mounting surface. Insert the wall anchors (DD) and attach the mounting plate (AA) using the two mounting screws (CC).



4 Mounting the light fixture

- Slide the rear of the light fixture (B) onto the mounting plate (AA) from either the left or right side. Make sure the sides of the mounting plate are flush with the sides of the rear of the light fixture (B).
- Secure the fixture in place on the mounting plate using the mounting bolts (EE). Insert mounting bolts (EE) through the left and right sides of the light, and into the mounting plate (AA) in the back.



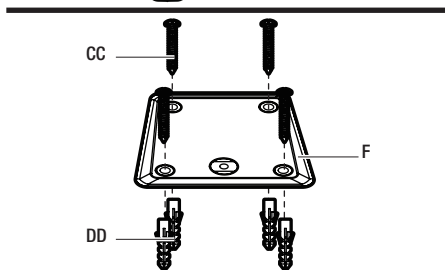
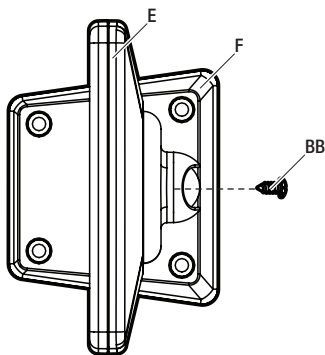
5 Mounting the solar panel



RECOMMENDED: Caulk around the base and on top of the screw heads after installation

Place the solar base (F) against the mounting surface and mark the mounting holes.

- Place the panel (E) into the base (F) and use the base screw (BB) to secure the panel (E) in place on the base (F).
- If mounting to a wooden surface, drill four 3/32 in. holes into the mounting surface. Install the four mounting screws (CC) through the solar panel base (F) and into the mounting surface.
- If mounting to wall board or brick, drill four 7/32 in. holes into the mounting surface. Insert the wall anchors (DD) and attach the solar panel base (F) using the four mounting screws (CC).
- Once the solar panel base (F) has been installed, position the solar panel (E) above it, adjusting the direction and angle of the panel to its desired position to receive optimal sunlight.

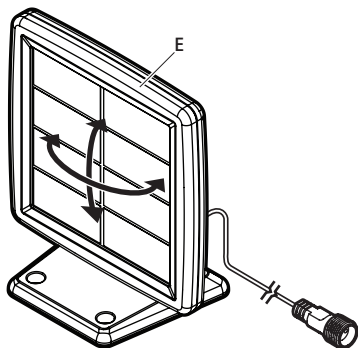


6 Adjusting the solar panel



IMPORTANT: The solar panel (E) must receive as much direct sunlight over the course of the day as possible. Keep in mind that shadows may block the sunlight from reaching the solar panel (E) during the day.

- Rotate the solar panel (E) to the desired angle.

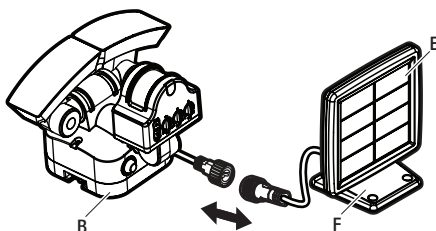


7 Connecting the solar panel to the light fixture

- Carefully connect the solar panel (E) cable to the light fixture (B). Screw the caps on the plugs firmly.
- Wrap any excess solar panel cable around the base (F) located on the rear of the solar panel (E). Leave enough loose cable to form a drip loop.



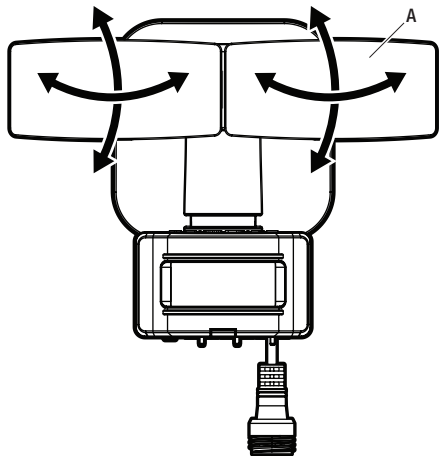
IMPORTANT: Push the switch to the OFF position and allow the battery to charge with 1 to 2 days of full sunshine before testing.



Operation

1 Adjusting the lamp heads

- If needed, gently grasp the lamp heads (A) and tilt them up or down or side-to-side to adjust the light coverage area

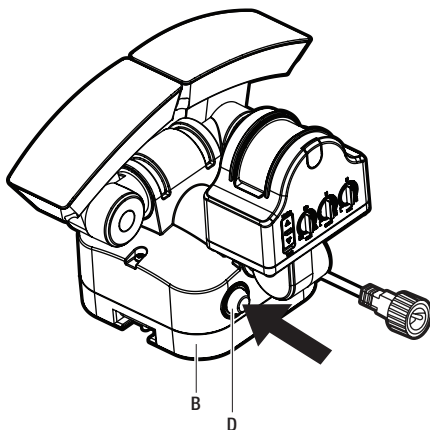


2 Using the OFF Control

- Press the Power button (D) to turn the light (B) off and to conserve the battery life.



NOTE: Pushing the button in turns the light (B) ON (AUTO mode). Pushing again so that the Power button is out and extended turns the light OFF.



3 Testing the light



NOTE: It is recommended that the light be tested before being placed in regular operation.

Remember to set the switch from Test to Motion after testing the light.



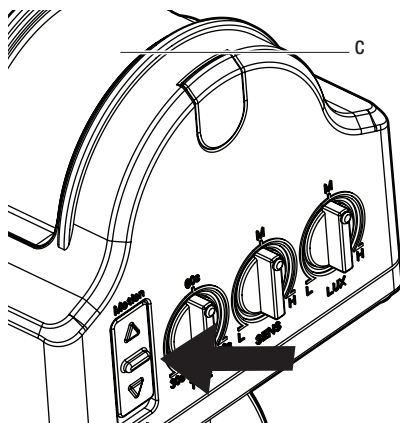
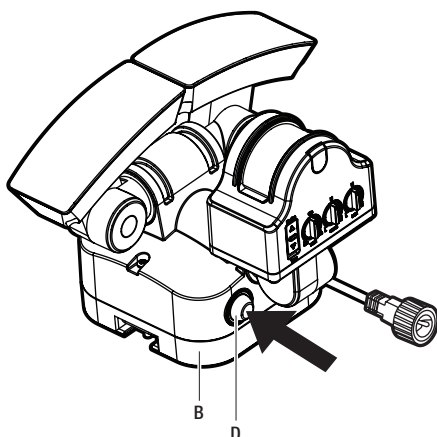
NOTE: Testing the unit indoors or lower than 7 ft. from the ground may not enable the light to work optimally when mounted into its final outdoor position.



NOTE: With the Power button (D) in the OFF position, allow the unit to charge in direct sunlight for at least 6 hours before testing, or placing into normal operation.

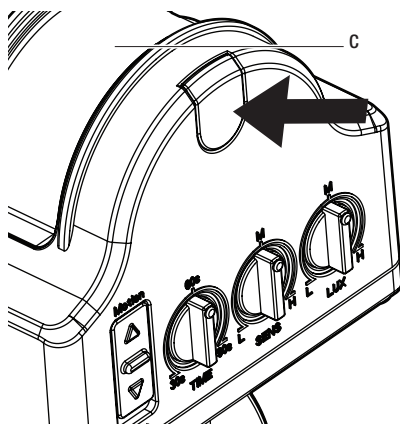
Before placing the light in normal operation (Motion mode), it is best to test the light LEDs and motion sensor. Here is the process or doing so:

- Activate the light by pressing the Power button (D) to the ON position.
- Switch the Motion/Test switch to 'Test'. The light will turn ON, and stay on continuously for 1 minute. Use this time to adjust the LED light heads to where you would like them to shine when motion is detected.
- After the first minute, the light will turn OFF, but will activate for 5 seconds every time motion is detected. Use this time to adjust the motion sensor (C) to where you want the light to detect motion and activate. While the switch is in 'Test' mode, the light will continue to activate in 5 second intervals.
- When finished with these adjustments, switch back to 'Motion', and the light will go into normal operation. Depending on your LUX setting and time of day, the light may turn OFF until it's dark enough to activate.



4 Reading the indicator light

- The indicator light is located below the motion sensor (C), and shows the basic status of the light.
- If the indicator light flashes RED twice, the sensor is detecting motion. This is an indication that the motion sensor is working, even if the LED light heads are not activating.
- If the indicator light is GREEN, the batteries are charging. This is an indication that the batteries are not depleted, and the transfer of solar energy to the rechargeable batteries is working.

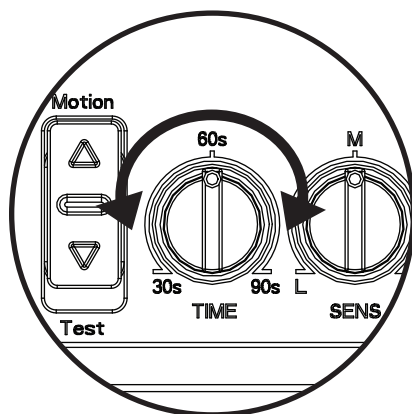


5 Adjusting the light timer



NOTE: The TIME dial controls the amount of time the light (B) will stay on full brightness after motion has been detected. The timer is adjustable from 30 to 90 seconds.

- To increase the time, turn the TIME dial towards the 90 second position.
- To decrease the time, turn the TIME dial towards the 30 second position.



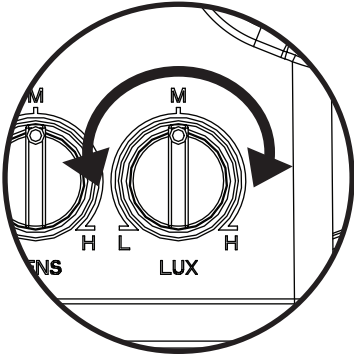
Operation (continued)

6 Adjusting the LUX



NOTE: Adjust the setting of the environmental light brightness to trigger the auto dusk-to-dawn photocell.

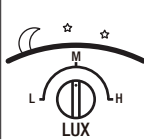
- To turn on the light in a very dark area, turn the LUX dial towards the “L” position.
- To turn on the light during daylight, turn the LUX dial towards the “H” position.



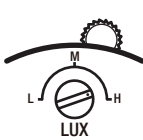
Automatically turns ON when it's dark.



Automatically turns ON just after sunset.



Automatically turns ON late in the day.

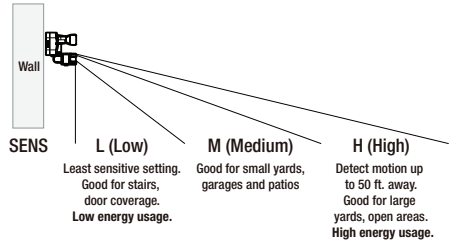
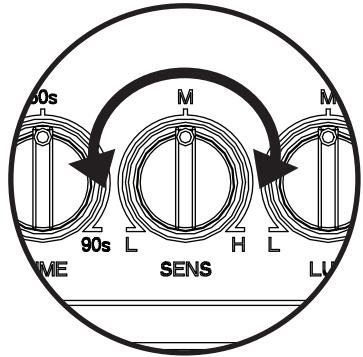


7 Adjusting the sensitivity



NOTE: The SENS dial adjusts the sensitivity of the motion sensor.

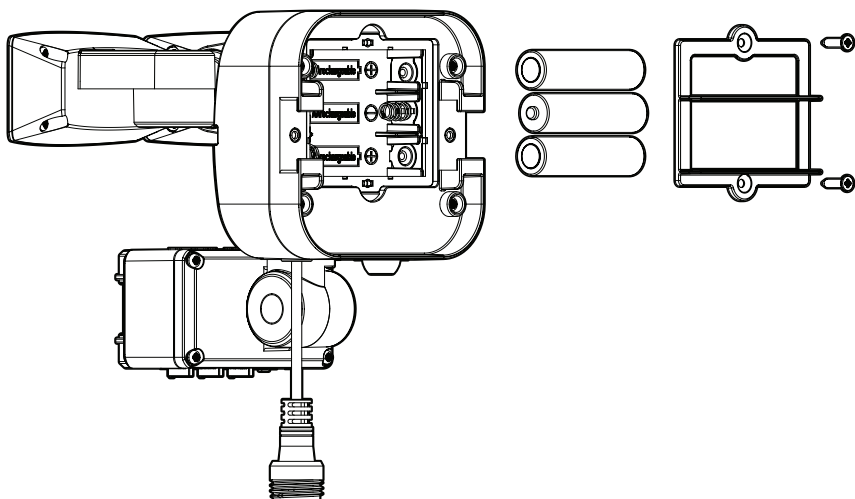
- To increase sensitivity, and increase the sensor range up to 50 ft., turn the SENS dial towards the “H” position.
- To decrease sensitivity, and reduce the sensor range, turn the SENS dial towards the “L” position.



Maintenance

When the pre-installed, rechargeable Nickel-metal Hydride (Ni-MH) batteries have reached the end of their useful life, they can be easily replaced.

- This unit requires three AA, 1200mAh Ni-MH replacement batteries, which can be purchased at The Home Depot.
- Disconnect the light from the solar panel, and unmount from its position, placing the light on a sturdy surface.
- Unscrew and remove the back panel to access the batteries, and remove the batteries from the cradle.
- Place the new Ni-MH batteries in the cradle, being careful to align the positive/negative poles to their corresponding icons in the cradle.
- Replace the rear cover, screwing it securely into position. Remount the light, connect the solar panel, and follow the installation instructions.
- Properly dispose of the depleted Ni-MH batteries.



Care and Cleaning

- To prolong the original appearance, clean the light fixture with clear water and a soft, damp cloth only.
- Periodically clean the solar panel with a soft cloth and warm water. Do not hose spray. Keep the panel clear of snow and leaves. Make sure trees and other objects do not block sunlight from the panel.
- Do not use paints, solvents, or other chemicals on this light fixture. They could cause a premature deterioration of the finish. This is not a defect in the finish and will not be covered by the warranty.
- Do not spray the light fixture with a hose or power washer.
- If not to be used for several weeks, turn the unit OFF. Store it with the panel connected and where the panel can gather sunlight.

Troubleshooting

Problem	Possible Cause	Solution
The light will not turn ON at night.	The Power button is in the OFF position.	Make sure the Power button is in the ON position.
	The batteries may be depleted. This can occur if there are poor charging conditions, or if the product has been in use for more than a year.	Check the connection between the light unit and the solar panel. Make sure the solar panel is receiving an ample amount of sunlight on a daily basis. New Nickel-metal Hydride batteries can be purchased at The Home Depot.
	Extensions totaling more than 60 ft. have been installed between the light and the solar panel.	It is recommended that no more than two extension cords are added to the light system. Reconnect to a shorter extension cord, or reposition the solar panel closer to the light fixture, while using fewer cords.
	The solar panel is not positioned correctly or optimally.	Adjust the panel angle to face southward for sufficient and direct sunlight. The solar panel must face South and have clear exposure to the sun. If the panel cord is not long enough, an extension is available at Homedepot.com .
	The motion sensor is not detecting motion.	Increase SENS, and decrease LUX. This makes the unit more sensitive to motion when it is dark.
	Light from the immediate environment (light poles, headlights, other floodlights) is not allowing the unit to activate.	Increase the LUX setting to compensate for the additional light.
	The surrounding air temperature is too hot (greater than 122°F (50°C)) or too cold less (than -4°F (-20°C)).	The light will operate normally when temperatures return within operational range. Placing the light in areas that are not directly exposed to extreme temperatures may extend operation time.
The RED indicator light flashes, but the light does not turn ON.	LUX is set too high; the light registers motion, but will not activate.	Refer to Reading the Indicator Light in the Operation section. Decrease the LUX setting.
The light turns ON during the day.	The light is mounted in a dark or shaded location.	Refer to Reading the Indicator Light in the Operation section.
	The LUX setting is too high.	Decrease the LUX setting.
The light appears dimmer than normal.	The rechargeable Nickel-metal Hydride batteries are low.	Allow the light to charge for 5 hours of continuous sunlight. If the light is consistently dim, and the unit has been in operation for over 1 year, new Ni-MH batteries may be needed.

DEFIANT[®]

Questions, problems, missing parts? Before returning to the store,
call Defiant Customer Service
8 a.m. - 7 p.m., EST, Monday-Friday, 9 a.m. - 6 p.m., EST, Saturday

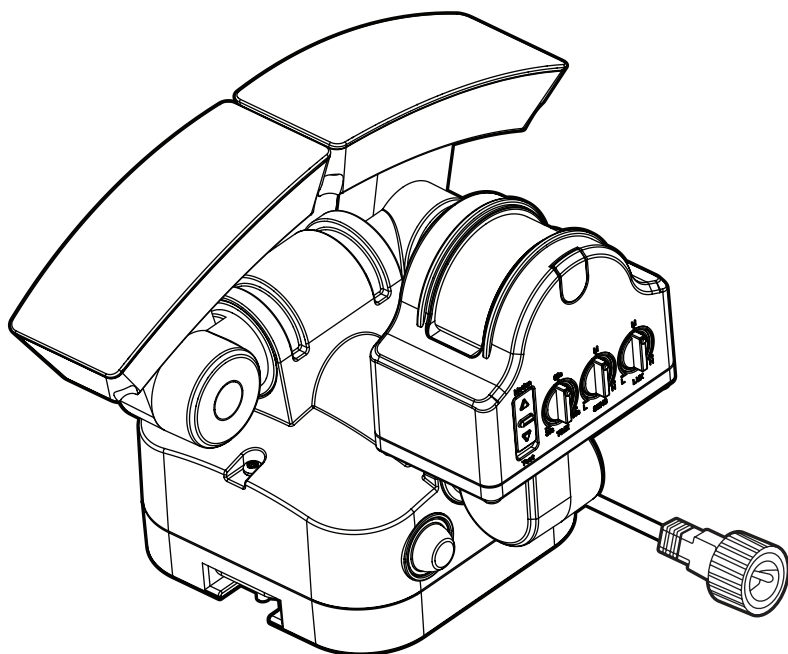
1-866-308-3976

HOMEDEPOT.COM

Retain this manual for future use.

GUÍA DE USO Y CUIDADO

LÁMPARA DE SEGURIDAD DETECTORA DE MOVIMIENTO



¿Tiene preguntas o problemas, o le faltan piezas? Antes de devolver a la tienda,
llame a Atención al Cliente de Defiant
Lunes a viernes de 8:00 a.m. a 7:00 p.m., EST, y los sábados de 9:00 a.m. a 6:00 p.m., EST

1-866-308-3976

HOMEDEPOT.COM

GRACIAS

Agradecemos la confianza que ha depositado en Defiant a través de la compra de esta lámpara de seguridad con detección de movimiento. Nos esforzamos continuamente para crear productos de calidad diseñados para mejorar su hogar. Visítenos en línea para ver nuestra línea completa de productos disponibles para sus necesidades de mejoramiento del hogar. ¡Gracias por elegir a Defiant!

Índice

Información de seguridad	2	Ubicación de montaje	4
Precauciones	2	Panel solar	4
Aviso de la FCC	2	Especificaciones	5
Garantía	3	Herramientas requeridas	5
Garantía limitada por 3 años.....	3	Herraje incluido.....	5
Qué es lo que cubre	3	Contenido del paquete	6
Qué es lo que no cubre	3	Instalación	7
Antes de la instalación	4	Funcionamiento	10
Planificación de la instalación	4	Mantenimiento	14
Descripción del producto	4	Cuidado y limpieza	14
Carga inicial de la batería	4	Resolución de problemas	15
Lámpara.....	4		

Información de seguridad

PRECAUCIONES

- Lea y entienda este manual por completo antes de intentar ensamblar, operar o instalar esta lámpara.
- La lámpara debe instalarse aproximadamente a 8 pies (2.4 m) por encima del suelo.
- No corte el cable del panel solar. Suspenda el uso si el cable se deshilacha o se rompe.
- No sumerja los componentes en líquido.
- No utilice ningún otro dispositivo de carga que no sea el panel de carga solar único provisto para esta lámpara. De lo contrario, puede causar lesiones o daños a la lámpara y anulará cualquier garantía.
- Coloque el cable de manera que esté bien sujeto y no cause peligros (tal como tropezar con él).



ADVERTENCIA: Para evitar posibles LESIONES GRAVES o la MUERTE, nunca permita que los niños pequeños se acerquen a las baterías. Si se ingiere una batería, notifique inmediatamente a un médico.



ADVERTENCIA: NO DESECHE LAS BATERÍAS EN EL FUEGO. LAS BATERÍAS PUEDEN EXPLOTAR O TENER FUGAS.



ADVERTENCIA: No mezcle baterías usadas y nuevas.



ADVERTENCIA: No mezcle baterías alcalinas, estándar (carbono-zinc) o baterías recargables (níquel-cadmio, níquel-metal hidruro, etc.).

AVISO: Cuando reemplace las baterías, recicle las baterías usadas o deséchelas de acuerdo con los reglamentos locales.

GARANTÍA LIMITADA POR 3 AÑOS

QUÉ SE CUBRE

Este producto está garantizado contra piezas defectuosas de fábrica y mano de obra por un período de 3 años a partir de la fecha de compra. El recibo de compra es necesario para todos los reclamos de garantía.

QUÉ NO SE CUBRE

Esta garantía no incluye servicio de reparación, ajuste y calibración debido al mal uso, abuso o negligencia. El servicio no autorizado o la modificación del producto o de cualquier componente proporcionado anularán esta garantía en su totalidad. Esta garantía no incluye reembolso por inconveniencias, instalación, tiempo de preparación, pérdida de uso, servicio no autorizado o gastos de envío de devolución. Esta garantía no se extiende a otros equipos y componentes que el cliente utilice junto con este producto.

No hay piezas de repuesto disponibles para este producto.

Comuníquese con el equipo de Atención al Cliente al 1-866-308-3976 o visite www.HomeDepot.com.

Antes de la instalación

PLANIFICACIÓN DE LA INSTALACIÓN

Antes de instalar la lámpara, asegúrese de que todas las piezas estén presentes. Verifique las piezas con las secciones de Herraje incluido y Contenido del paquete. Si alguna pieza falta o está dañada, no intente montar, instalar o utilizar esta lámpara.

Tiempo estimado de instalación: 30 minutos

CARGA INICIAL DE LA BATERÍA



IMPORTANTE: Las nubes, lluvia, nieve y otras condiciones meteorológicas pueden impedir que el panel solar recargue completamente a la batería. Otras obstrucciones tales como edificios o árboles pueden bloquear al sol también.

- ANTES DE SU USO, la batería requerirá de 1 a 2 días de luz solar directa y plena para cargarse completamente con el interruptor en la posición de apagado. Conecte el enchufe del cable del panel solar con el conector que se extiende desde la parte inferior de la carcasa de la lámpara. Si es posible, apunte el panel solar hacia el sur e inclínelo aproximadamente 50° de la horizontal.
- El tiempo de funcionamiento real variará dependiendo de la frecuencia con la que el sensor de movimiento encienda la lámpara.
- La iluminación solar no está diseñada para igualar la iluminación estándar de 120 V. La emisión de luz es reducida para permitir que durante el horario diurno la batería se recargue completamente entre los ciclos de iluminación.
- La carga solar sólo es eficaz bajo la luz solar directa. Por cada hora que la lámpara esté encendida se requiere un mínimo de 5 horas de carga a la luz del sol.

PANEL SOLAR

El panel solar convierte la energía del sol en electricidad, recargando así la batería que se encuentra en la lámpara solar. El panel solar requiere que la luz solar directa caiga sobre la superficie del panel durante el mayor tiempo posible a lo largo del día.

La lámpara debe instalarse al alcance del cable de alimentación del panel solar. Se pueden comprar cables de extensión adicionales de 30 pies (se venden por separado) en Home Depot.com.

DESCRIPCIÓN DEL PRODUCTO

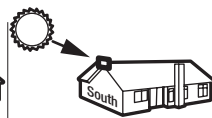
Esta lámpara funciona con una batería que se carga a partir de un panel solar. Si el voltaje de las baterías de níquel-metal hidruro (Ni-MH) se reduce a 3 V, la lámpara no se encenderá cuando se active el sensor de movimiento. Cuando el panel solar haya recargado las baterías de Ni-MH, y el voltaje esté por encima de 3 V, la lámpara volverá a la operación normal.

UBICACIÓN DE MONTAJE

El factor más importante a recordar para el funcionamiento de su lámpara solar detectora de movimiento es que esta funciona con la energía recibida de la luz directa del sol. El panel solar funciona mejor cuando se coloca en la parte orientada al sur, o el punto más alto, de una estructura. Cuanta más luz solar directa reciba el panel solar en un día, mayor será la duración de la luz. Asegúrese de que haya una cantidad mínima de obstrucciones entre el panel solar y el sol.



Mala posición: los árboles bloquean la entrada de luz solar al panel solar



Buena posición: orientada hacia el sur sin obstrucciones

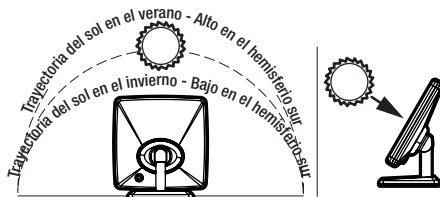
LÁMPARA

La unidad principal contiene los LED, un sensor de movimiento y una batería recargable de níquel-metal hidruro. Al decidir dónde montar esta unidad, tenga en cuenta que el sensor de movimiento que activa la luz tiene un "campo de visión" de 50 pies. (15 m) frente a la luz y un ángulo de detección de aproximadamente 180° a una temperatura ambiente de 77° F (25 °C).



NOTA: Al mediodía, ajuste el panel solar para que esté de frente al sol. Durante cualquier época del año, este ajuste proporcionará un posicionamiento óptimo para la recolección de energía solar.

También puede inclinar el panel hacia arriba a 50°, lo que debería proporcionar una exposición adecuada.



Antes de la instalación (continuación)

ESPECIFICACIONES

Alcance	Hasta 50 pies (15 m) (varía con la temperatura ambiente)
Ángulo de detección	Hasta 180°
Lúmenes	Energía solar: 500 LM
Requerimientos de alimentación	Panel solar y baterías recargables de níquel-metal hidruro
Modos de funcionamiento	Movimiento y Prueba
Tiempo de demora	30 a 90 segundos

HERRAMIENTAS REQUERIDAS



Gafas de seguridad



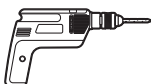
Destornillador Phillips



Nivel



Brocas de taladro (3/32" y 7/32")



Taladro

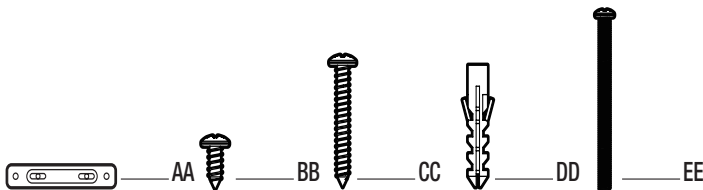


Escalera

HERRAJE INCLUIDO



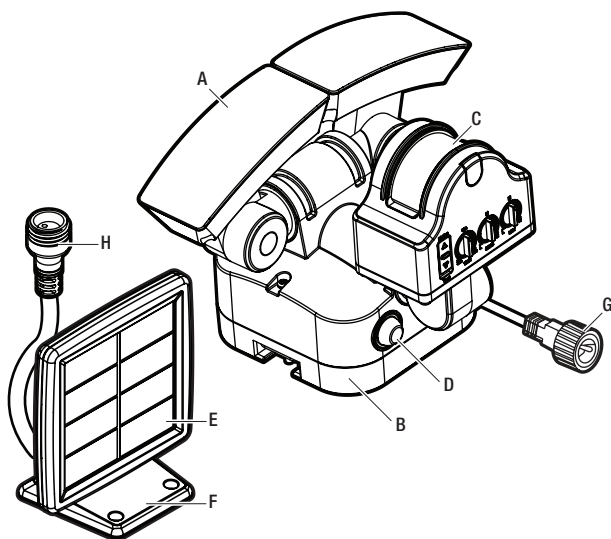
NOTA: El herraje no se muestra en su tamaño real.



Pieza	Descripción	Cantidad
AA	Placa de montaje	1
BB	Tornillo de la base	1
CC	Tornillos de montaje	6
DD	Anclajes	6
EE	Pernos de montaje	2

Antes de la instalación (continuación)

CONTENIDO DEL PAQUETE



Pieza	Descripción	Cantidad
A	Cabeza de la lámpara	2
B	Lámpara	1
C	Sensor de movimiento	1
D	Botón de encendido	1
E	Panel solar	1
F	Base del panel solar	1
G	Cable de extensión (preensamblado a la lámpara (B))	1
H	Cable de extensión (preensamblado al panel solar (E))	1

Instalación

1 Determinación de la ubicación de montaje

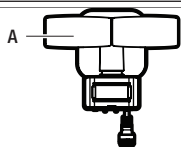
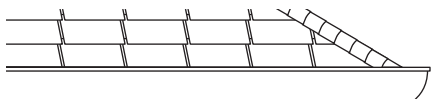


NOTA: La lámpara debe instalarse aproximadamente a 8 pies (2.4 m) por encima del suelo.

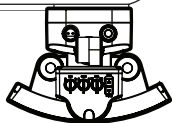


NOTA: Asegúrese de que la lámpara y el panel solar estén situados lo suficientemente cerca como para que el cable alcance. También puede añadir un cable de extensión. Asegúrese de que el panel solar esté orientado hacia el sur.

- Determine la ubicación de montaje, ya sea en la pared o el alero.
- Coloque el cabezal de la lámpara (A) en la dirección general de la cobertura deseada de la luz.



Montaje en la pared



Montaje en el alero



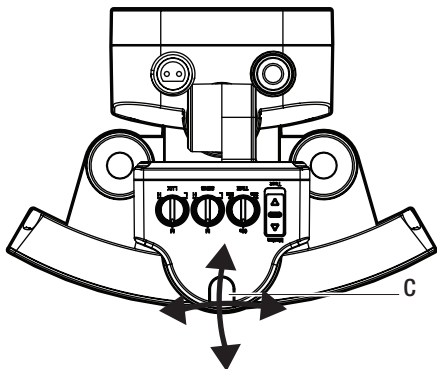
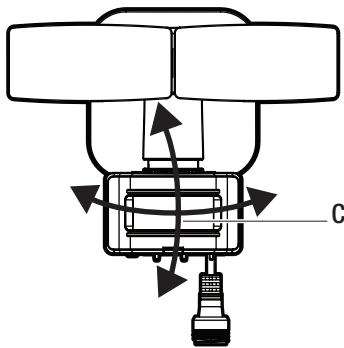
Incorrecta

2 Ajuste del sensor para montaje en la pared o el alero



NOTA: Ajuste el ángulo del sensor a la cobertura deseada.

- Para el montaje en la pared, incline el sensor (C) hacia abajo 10 grados para cubrir un rango de hasta 50 pies al frente.
- Para el montaje en el alero, gire el sensor (C) hacia la derecha o hacia la izquierda hasta la posición deseada.



3 Instalación de la placa de montaje



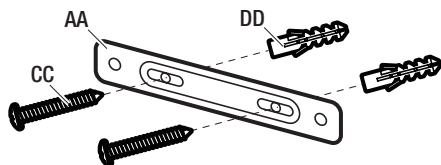
NOTA: Asegúrese de que haya suficiente espacio vertical por encima de la placa de montaje para que la lámpara se pueda montar.



NOTA: Asegúrese de que haya suficiente espacio en los lados izquierdo y derecho de la placa de montaje para colocar y deslizar la lámpara.

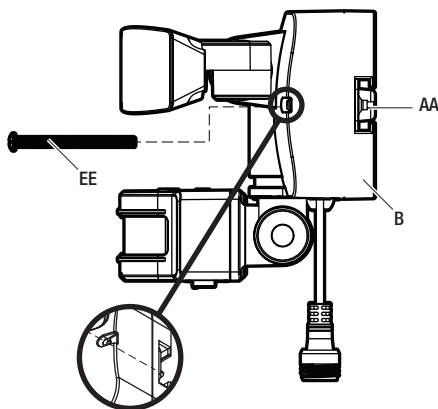
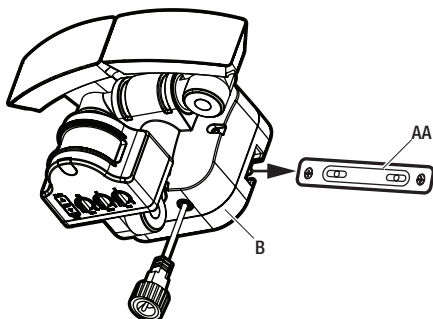
Coloque la placa de montaje (AA) contra la superficie de montaje y asegúrese de que la placa de montaje (AA) esté nivelada. Marque los orificios en la superficie de montaje, a través de los cuales se enroscarán los tornillos de montaje (CC).

- Si se monta en una superficie de madera, taladre dos orificios de 3/32 de pulgada en la superficie de montaje. Instale los dos tornillos de montaje (CC) a través de la placa de montaje (AA) y en la superficie de montaje.
- Si se monta en una pared de panel o de ladrillos, taladre dos orificios de 7/32 de pulgada en la superficie de montaje. Inserte los anclajes de pared (DD) y fije la placa de montaje (AA) con los dos tornillos de montaje (CC).



4 Montaje de la lámpara

- Deslice la parte trasera de la lámpara (B) sobre la placa de montaje (AA) desde el lado izquierdo o derecho. Asegúrese de que los lados de la placa de montaje estén al ras con los lados de la parte posterior de la lámpara (B).
- Asegure el dispositivo en su lugar en la placa de montaje con los pernos de montaje (EE). Inserte los pernos de montaje (EE) a través de los lados izquierdo y derecho de la lámpara, y dentro de la placa de montaje (AA) en la parte trasera.



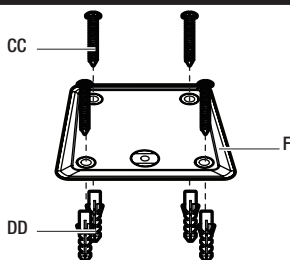
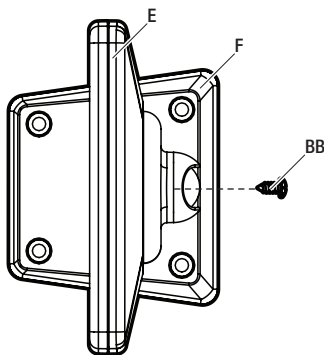
5 Montaje del panel solar



RECOMENDACIÓN: Enmasille alrededor de la base y encima de las cabezas de los tornillos después de la instalación

Coloque el panel solar (F) contra la superficie de montaje y marque los orificios de montaje.

- Coloque el panel (E) en la base (F) y use el tornillo de la base (BB) para asegurar el panel (E) en su lugar en la base (F).
- Si se monta en una superficie de madera, taladre cuatro orificios de 3/32 de pulgada en la superficie de montaje. Instale los cuatro tornillos de montaje (CC) a través de la base del panel solar (F) y en la superficie de montaje.
- Si se monta en una pared de panel o de ladrillos, taladre cuatro orificios de 7/32 de pulgada en la superficie de montaje. Inserte los anclajes de pared (DD) y fije la base de la placa de montaje (F) con los dos tornillos de montaje (CC).
- Una vez instalada la base del panel solar (F), coloque el panel solar (E) sobre ella, ajustando la dirección y el ángulo del panel a su posición deseada para recibir la luz solar óptima.

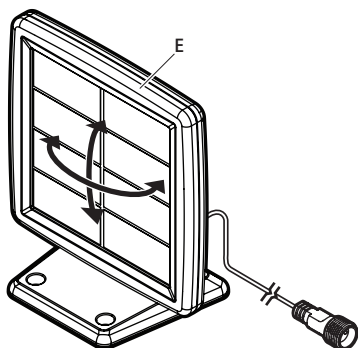


6 Ajuste del panel solar



IMPORTANTE: El panel solar (E) debe recibir tanta luz solar directa durante el día como sea posible. Tenga en cuenta que las sombras pueden bloquear la luz solar que llega al panel solar (E) durante el día.

- Gire el panel solar (E) al ángulo deseado.

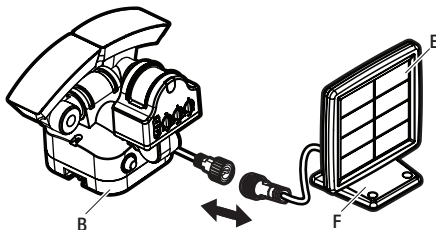


7 Conexión del panel solar a la lámpara

- Conecte cuidadosamente el cable del panel solar (E) a la lámpara (B). Enrosque firmemente las tapas de los enchufes.
- Enrolle el exceso de cable del panel solar alrededor de la base (F) ubicada en la parte posterior del panel solar (E). Deje suficiente cable suelto para formar un bucle de goteo.

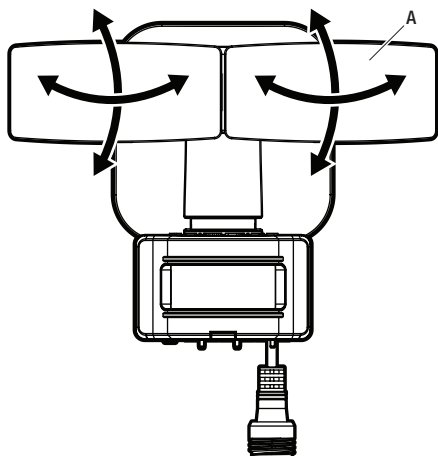


IMPORTANTE: Ponga el interruptor en la posición de apagado y permita que la batería se cargue de 1 a 2 días de pleno sol antes de realizar las pruebas.



1 Ajuste de las cabezas de las lámparas

- Si es necesario, agarre suavemente las cabezas de la lámpara (A) e inclínelas hacia arriba o hacia abajo o de lado a lado para ajustar el área de cobertura de la luz

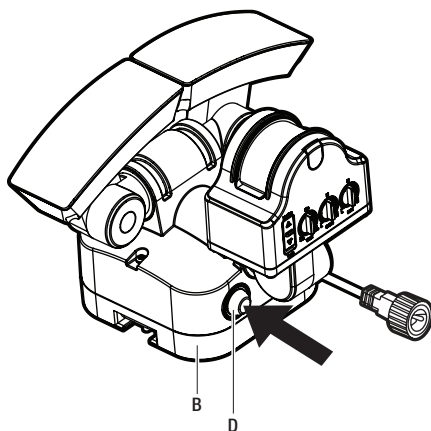


2 Utilización del control de apagado

- Presione el botón de encendido (D) para apagar la lámpara (B) y conservar la carga de la batería.



NOTA: Al presionar el botón hacia adentro se enciende la lámpara (B) (modo AUTO). Presionar de nuevo el botón de encendido de manera que este salga hace que la luz se apague.



3 Prueba de la lámpara



NOTA: Se recomienda hacer una prueba a la lámpara antes de colocarla para su funcionamiento regular.

Recuerde colocar el interruptor de Test (Prueba) a Motion (Movimiento) después de probar la lámpara.



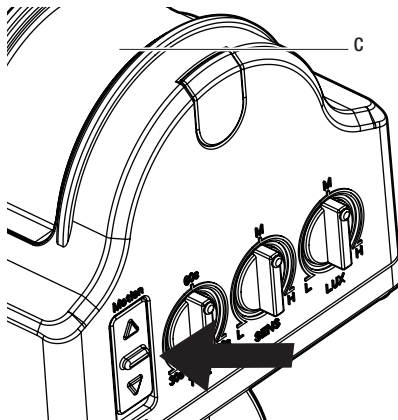
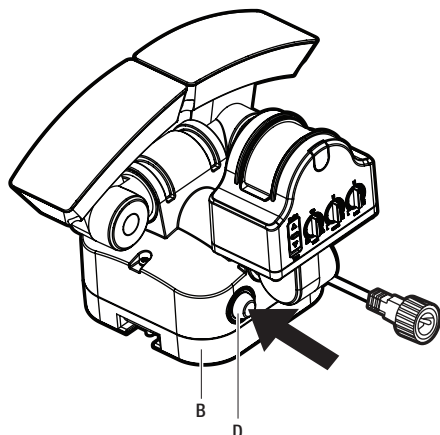
NOTA: Probar la unidad en interiores o a menos de 7 pies del suelo puede no permitir que la lámpara funcione de manera óptima cuando se monta en su posición final en el exterior.



NOTA: Con el botón de Encendido (D) en la posición APAGADO, permita que la unidad se cargue a la luz solar directa durante al menos 6 horas antes de realizar la prueba o ponerla en funcionamiento normal.

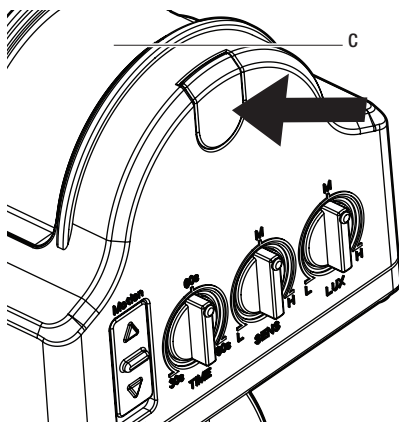
Antes de colocar la lámpara en funcionamiento normal (modo de movimiento), es mejor probar los LED de la lámpara y el sensor de movimiento. Este es el proceso para hacerlo:

- Active la lámpara presionando el botón de Encendido (D) a la posición ON.
- Cambie el interruptor Motion/Test (Movimiento/ Prueba) a 'Test'. La lámpara se encenderá y permanecerá encendida continuamente durante 1 minuto. Use este tiempo para ajustar las cabezas de luz LED al lugar donde desea que alumbrén cuando se detecte movimiento.
- Después del primer minuto, la lámpara se apagará, pero se activará durante 5 segundos cada vez que se detecte movimiento. Use este tiempo para ajustar el sensor de movimiento (C) al lugar donde desea que la luz detecte movimiento y se active. Mientras el interruptor está en modo 'Test', la luz continuará activándose en intervalos de 5 segundos.
- Cuando termine con estos ajustes, cambie de nuevo a 'Motion' y la luz entrará en funcionamiento normal. Según su configuración de LUX y la hora del día, la luz puede apagarse hasta que esté lo suficientemente oscuro como para activarse.



4 Lectura de la luz indicadora

- La luz indicadora se encuentra debajo del sensor de movimiento (C) y muestra el estado básico de la luz.
- Si la luz indicadora parpadea en ROJO dos veces, el sensor está detectando movimiento. Esto es una indicación de que el sensor de movimiento está funcionando, incluso si los cabezales de luz LED no se están activando.
- Si la luz indicadora está VERDE, las baterías se están cargando. Esto indica que las baterías no están agotadas y que la transferencia de energía solar a las baterías recargables está funcionando.

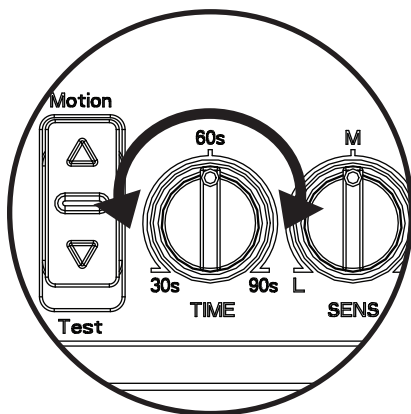


5 Ajuste del temporizador de la lámpara



NOTA: La perilla TIME controla la cantidad de tiempo que la lámpara (B) permanecerá encendida a plena luz después de que se haya detectado el movimiento. El temporizador es ajustable de 30 a 90 segundos.

- Para aumentar el tiempo, gire la perilla TIME hacia la posición de 90 segundos.
- Para disminuir el tiempo, gire la perilla TIME hacia la posición de 30 segundos.

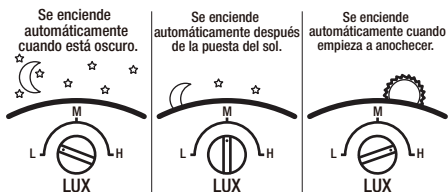
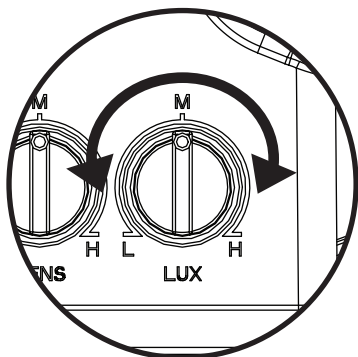


6 Ajuste de LUX



NOTA: Ajuste el valor de luminosidad de la luz ambiental para que active la fotocélula automáticamente desde el crepúsculo hasta el amanecer.

- Para encender la lámpara en un área muy oscura, gire la perilla LUX hacia la posición "L".
- Para encender la lámpara durante la luz del día, gire la perilla LUX hacia la posición "H".

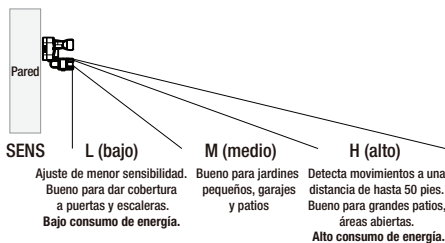
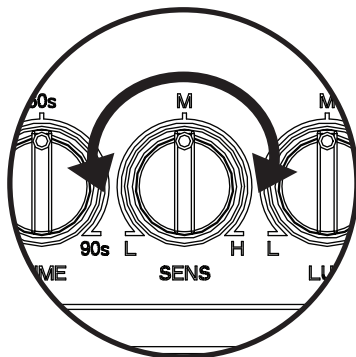


7 Ajuste de la sensibilidad



NOTA: La perilla SENS ajusta la sensibilidad del sensor de movimiento.

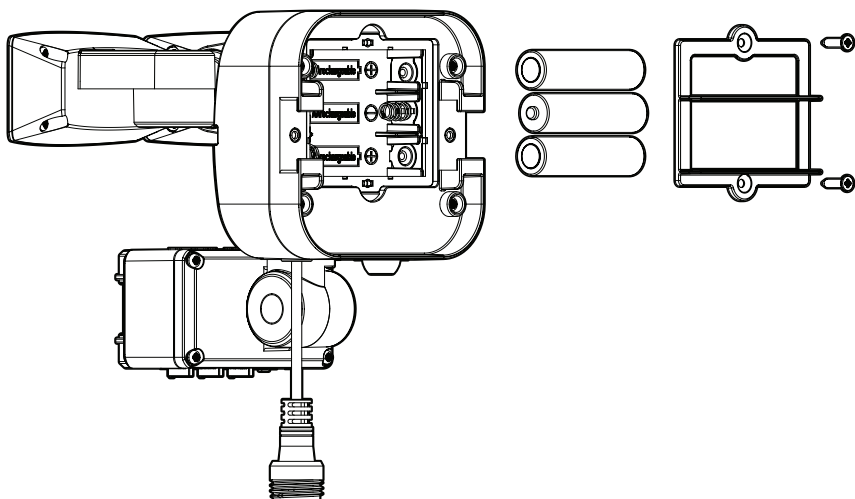
- Para aumentar la sensibilidad y aumentar el alcance del sensor hasta 50 pies, gire la perilla SENS hacia la posición "H".
- Para disminuir la sensibilidad y reducir el rango del sensor, gire la perilla SENS hacia la posición "L".



Mantenimiento

Cuando las baterías recargables preinstaladas de níquel-metal hidruro (Ni-MH) han llegado al final de su vida útil, pueden reemplazarse fácilmente.

- Esta unidad requiere tres baterías de repuesto AA, 1200 mAh Ni-MH, que se pueden comprar en The Home Depot.
- Desconecte la lámpara del panel solar, y desmóntela de su posición, colocando la lámpara sobre una superficie resistente.
- Desenrosque y retire el panel posterior para acceder a las baterías, y saque las baterías de la base.
- Coloque las nuevas baterías de Ni-MH en la base, teniendo cuidado de alinear los polos positivo/negativo con sus iconos correspondientes en la base.
- Vuelva a colocar la cubierta trasera, atornillándola firmemente en su posición. Vuelva a montar la lámpara, conecte el panel solar y siga las instrucciones de instalación.
- Deseche adecuadamente las baterías agotadas de Ni-MH.



Cuidado y limpieza

- Para prolongar el aspecto original, limpie la lámpara con agua limpia y un paño suave y húmedo solamente.
- Limpie periódicamente el panel solar con un paño suave y agua tibia. No lo rocíe con una manguera. Mantenga el panel libre de nieve y hojas. Asegúrese de que los árboles y otros objetos no bloqueen la luz solar del panel.
- No utilice pinturas, disolventes u otros químicos en esta lámpara. Pueden causar un deterioro prematuro del acabado. Esto no es un defecto en el acabado y no será cubierto por la garantía.
- No rocíe la lámpara con una manguera o una rociadora eléctrica a presión.
- Apague la unidad si no se va a utilizar durante varias semanas. Guárdela con el panel conectado y donde el panel pueda recibir la luz del sol.

Resolución de fallas

Problema	Causa posible	Solución
La lámpara no enciende en la noche.	El botón de encendido está en la posición de apagado (OFF).	Asegúrese de que el botón de encendido esté en la posición ON.
	Las baterías pueden estar agotadas. Esto puede ocurrir si hay malas condiciones para la carga o si el producto ha estado en uso durante más de un año.	Compruebe la conexión entre la unidad de iluminación y el panel solar. Asegúrese de que el panel solar reciba una gran cantidad de luz solar diariamente. Se pueden comprar en The Home Depot nuevas baterías de níquel-metal hidruro.
	Se han instalado extensiones por un total de más de 60 pies entre la lámpara y el panel solar.	Se recomienda que no se agreguen más de dos cables de extensión al sistema de lámparas. Vuelva a conectarlo a un cable de extensión más corto o vuelva a colocar el panel solar más cerca de la lámpara, mientras usa menos cables.
	El panel solar no está colocado de manera correcta u óptima.	Ajuste el ángulo del panel hacia el sur para obtener suficiente luz solar directa. El panel solar debe estar orientado hacia el sur y tener una clara exposición al sol. Si el cable del panel no es lo suficientemente largo, hay disponible extensiones en Homedepot.com .
	El sensor de movimiento no detecta movimiento.	Aumente SENS y disminuya LUX. Esto hace que la unidad sea más sensible al movimiento cuando está oscuro.
	La iluminación del entorno cercano (postes de iluminación pública, faros, otros reflectores) no permite que la unidad se active.	Aumente la configuración de LUX para compensar la iluminación adicional.
	La temperatura del aire circundante es muy alta (superior a 122 °F (50 °C) o muy baja (inferior a -4 °F (-20 °C)).	La lámpara funcionará normalmente dentro del rango de temperatura especificado. Colocar la lámpara en áreas que no estén directamente expuestas a temperaturas extremas puede extender el tiempo de operación.
La luz indicadora ROJA parpadea, pero la lámpara no se enciende.	LUX está configurado muy alto; la lámpara registra movimiento, pero no se activará. Disminuya la configuración de LUX.	
La lámpara se enciende durante el día.	La lámpara se ha montado en un lugar oscuro o sombreado. La configuración de LUX es muy alta. Consulte lectura de la luz indicadora en la sección funcionamiento. Disminuya la configuración de LUX.	
La luz aparece más atenuada de lo normal.	Las baterías recargables de níquel-metal hidruro tienen poca carga. Permita que la lámpara se cargue durante 5 horas de luz solar continua. Si la luz está constantemente tenue y la unidad ha estado en funcionamiento durante más de 1 año, es posible que se necesiten nuevas baterías de Ni-MH.	

DEFIANT®

¿Tiene preguntas o problemas, o le faltan piezas? Antes de devolver a la tienda,
llame a Atención al Cliente de Defiant
Lunes a viernes de 8:00 a.m. a 7:00 p.m., EST, y los sábados de 9:00 a.m. a 6:00 p.m., EST

1-866-308-3976

HOMEDEPOT.COM

Guarde este manual para su uso futuro.