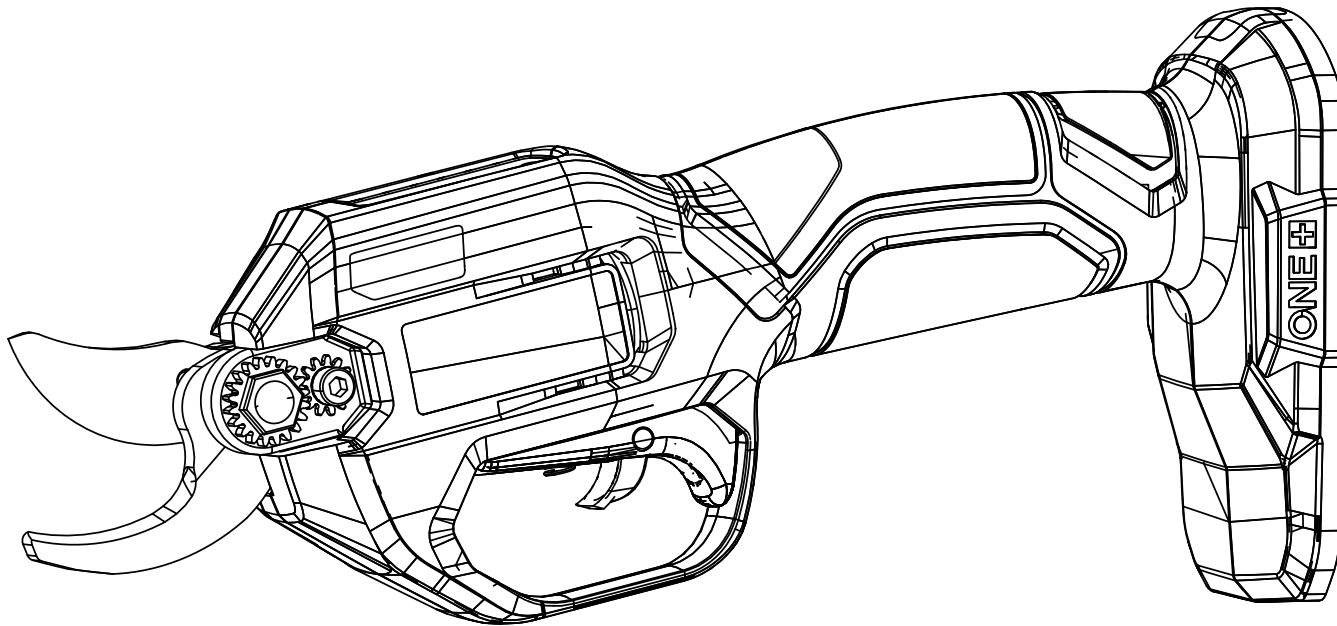


REPAIR SHEET

BRAND RYOBI		DESCRIPTION 18 Volt Pruning Shear
MODEL NO. P2504VNM	MFG. NO. 108241010	



TECHTRONIC INDUSTRIES POWER EQUIPMENT

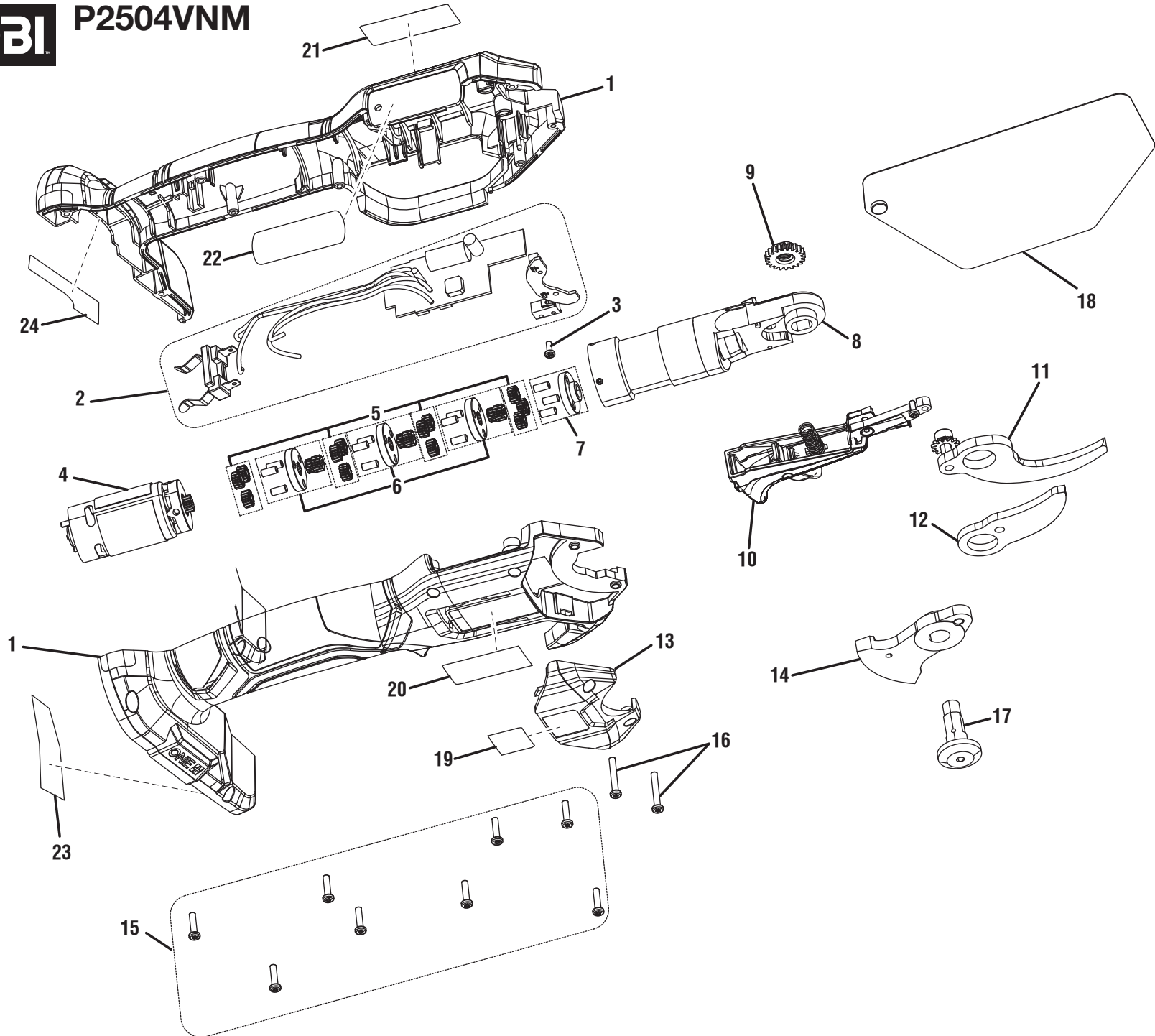
P.O. Box 1288, Anderson, SC 29622 ■ 1-800-525-2579 ■ www.ryobitools.com

7-23-21 (Rev:02)

The model number and manufacturing location will be found on a label attached to the product. Always mention this information in all communications regarding this product and when ordering parts.

RYOBI

P2504VNM



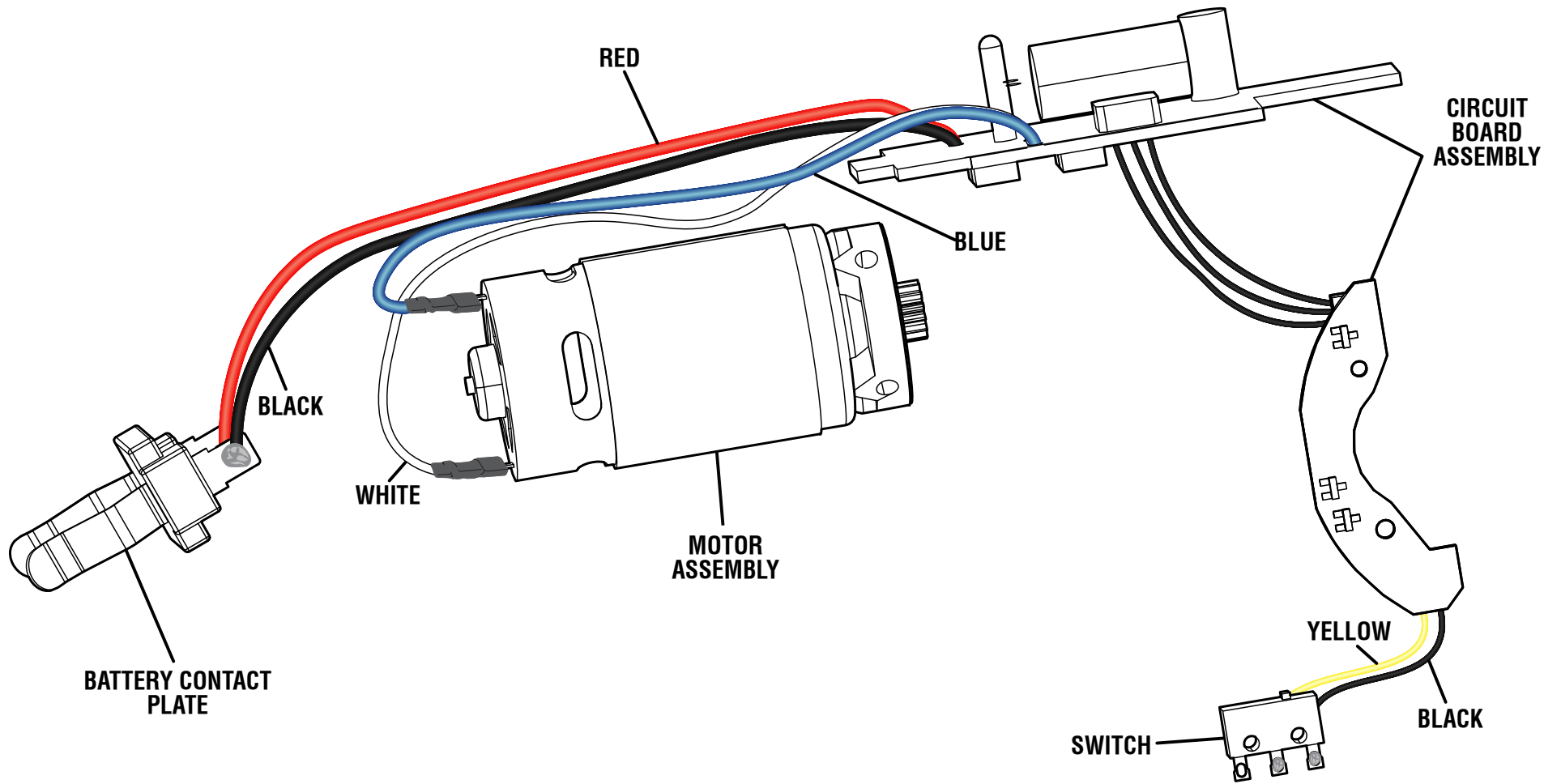


P2504VNM

PARTS LIST

KEY NO.	PART NO.	DESCRIPTION	QTY.
1	099241001049	Housing Assembly (Inc. Key Nos. 20-24)	1
2	099241001050	Circuit Board Assembly	1
3	099241001011	Screw (M2.5 x 8 mm)	1
4	099241001056	Motor Assembly	1
5	099241001037	Planet Gear	12
6	099241001052	Planet Frame Assembly	3
7	099241001053	Output Planet Frame Assembly	1
8	099241001057	Gear Box Assembly	1
9	099241001008	Screw with Gear	1
10	099241001061	Trigger Assembly	1
11	099241001055	Bottom Blade Assembly	1
12	099241001017	Cutting Blade	1
13	099241001022	Blade Cover (Inc. Key No. 19)	1

KEY NO.	PART NO.	DESCRIPTION	QTY.
14	099241001058	Bear Gear Assembly	1
15	099241001033	Screw (M3 x 12 mm)	8
16	099241001023	Screw (M3 x 20 mm)	2
17	099241001051	Pivot Bolt Assembly	1
18	099241001045	Blade Sleeve	1
19	941851459	Pinch Point Icon Label	1
20	941851458	Icon Label	1
21	940705491	Logo Label	1
22	941851457	Warning Label	1
23	941110067	Data Label	1
24	941851461	QR Label	1
	Not Shown:		
	998000629	Operator's Manual	



WIRING DIAGRAM