



**Operator's  
Manual  
RB-85W  
Broadcast  
Spreader**

---

# INTRODUCTION

---

Specifications, descriptions, and illustrative material in this literature are as accurate as possible. Specifications are subject to change without notice. Illustrations might include optional equipment and accessories, and might not include all standard equipment. Your equipment might appear slightly different than pictured equipment.



Read and understand all provided literature. Literature contains specifications and information for safety, operation, maintenance, storage, and assembly specific to this product. Scan QR codes for more information.



For additional literature, including safety manuals where applicable, or questions regarding terms used in this manual, visit:

<https://www.echo-usa.com/manuals>

OR



<https://www.shindaiwa-usa.com/manuals>



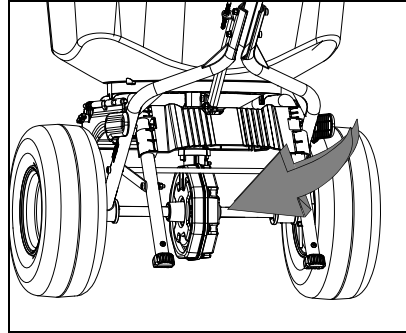
---

## SERVICING INFORMATION

---

### Parts and Serial Number

Genuine ECHO parts and assemblies for your ECHO products are available only from an Authorized ECHO Dealer. When you do need to buy parts always have the model number and serial number of the unit with you. For future reference write them in the space provided below.



Model No. \_\_\_\_\_ Serial No. \_\_\_\_\_

### Service

Service of this product during the warranty period must be performed by an Authorized ECHO Service Dealer. For the name and address of the Authorized ECHO Service Dealer nearest you, ask your retailer or call: 1-800-432-ECHO (3246). Dealer information is also available on our Web Site [www.echo-usa.com](http://www.echo-usa.com). When presenting your unit for Warranty service/repairs, proof of purchase is required.

### ECHO Consumer Product Support

If you require assistance or have questions concerning the application, operation, or maintenance of this product, call the ECHO Consumer Product Support Department at 1-800-432-ECHO (3246) from 8:00 a.m. to 5:00 p.m. (Central Standard Time) Monday through Friday. Before calling, please know the model and serial number of your unit.

### Product Registration

Register your ECHO equipment online at [www.echo-usa.com](http://www.echo-usa.com) or by filling out the product registration sheet included in this manual. Registering your product confirms warranty coverage and provides a direct link to ECHO if we find it necessary to contact you.

### Additional Literature

In addition to finding information online, information is available from your Authorized ECHO Service Dealer, or by contacting ECHO Incorporated, 400 Oakwood Road, Lake Zurich, IL 60047, 1-800-432-ECHO (3246).

---

**SAFETY**

---

**Safety Information** **WARNING**

*Carefully read these instructions before use. Improper use or failure to follow instructions can result in product failure or injuries. For safe use of this product you must read and follow all instructions before using.*

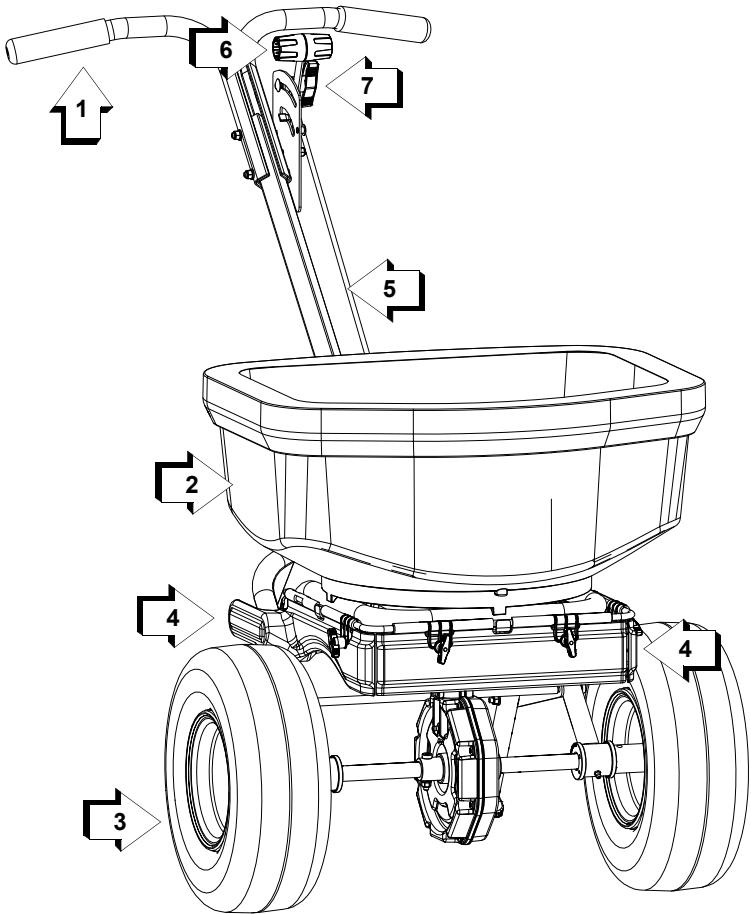
 **WARNING**

**Cancer and Reproductive Harm**  
[www.P65Warnings.ca.gov](http://www.P65Warnings.ca.gov)

 **WARNING**

- ◆ Do not allow anyone to operate the broadcast spreader without proper instructions.
- ◆ Do not permit children to operate the broadcast spreader.
- ◆ Wear all personal protective equipment recommended by chemical manufacturer.
- ◆ Read and follow the chemical label instructions and warnings for handling and applying the chemicals you plan to spread – application settings provided are only a guideline.

DESCRIPTION



- 1 Handles
- 2 Hopper
- 3 Wheels
- 4 Adjustable Deflectors
- 5 Gate Control Rod
- 6 Gate Control Lever
- 7 Gate Adjustment Limiter

---

**CONTENTS**

---

The product you purchased has been partially factory pre-assembled for your convenience. Due to packaging restrictions, some assembly may be necessary.

After opening the carton, check for damage. Immediately notify your retailer or Dealer of damaged or missing parts. Use the contents list to check for missing parts.

- 1 Hopper Assembly
- 2 Wheels
- 1 Upper Handle Assembly
- 1 Gate Control Rod
- 1 Control Rod Adapter
- 1 Grate
- 1 Hopper Cover
- 1 6 mm Nut
- 1 Cotter Pin
- 5 6 mm Flange Nuts
- 2 6 x 60 mm Bolts
- 1 6 x 50 mm Bolt
- 1 Metal Washer
- 1 Nylon Washer
- 1 Rear Deflector
- 1 Operator's Manual
- 1 Warranty Statement

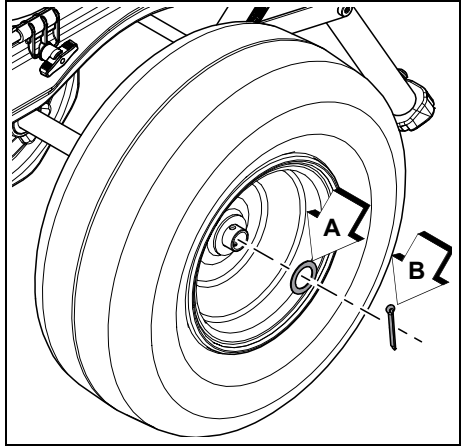
---

**ASSEMBLY**

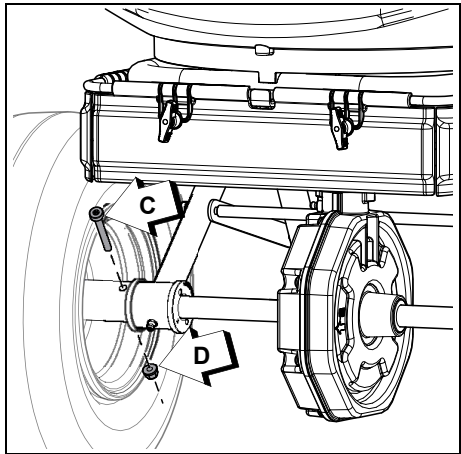
---

**Install Wheels and Handle**

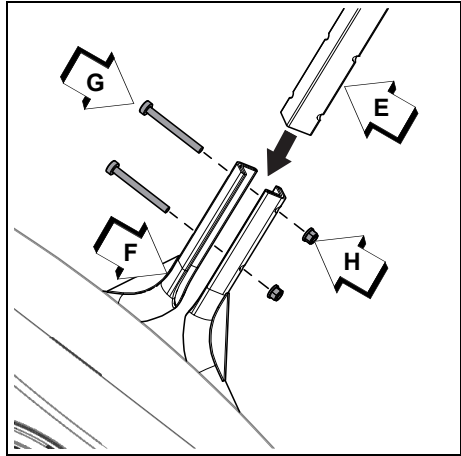
1. Install left wheel and secure with washer (A) cotter pin (B).



2. Install right wheel and secure with 6 x 50 mm bolt (C) and 6 mm flange nut (D).

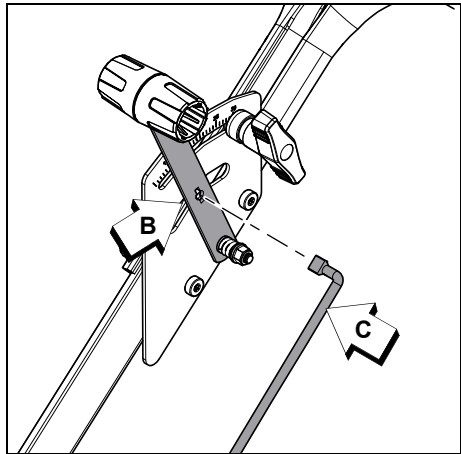


3. Install upper handle assembly (E) into lower handle bracket (F), and secure with two 6 x 60 mm bolts (G) and two 6 mm flange nuts (H).



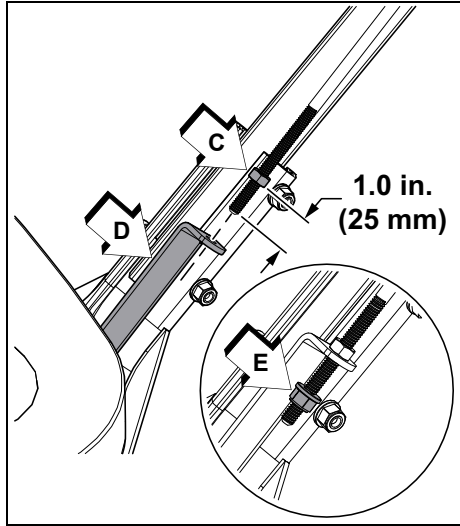
## Install Gate Control Rod

1. Insert tab end of gate control rod (C) into slotted hole in gate control lever (B). Turn rod clockwise until it is parallel with handle assembly.

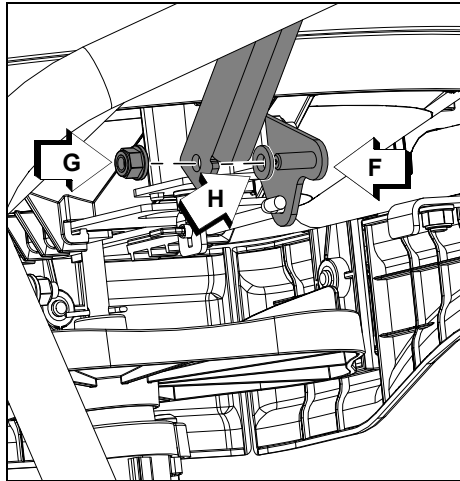




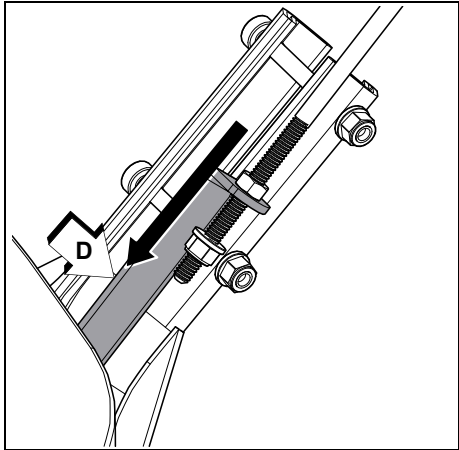
2. Thread 6mm nut (C) onto end of gate control rod to a distance of 25.4 mm (1 in) from bottom of rod. Insert threaded end of rod into hole in control rod adapter (D). Then thread 6 mm flange nut (E) onto gate control rod. Assure nuts remain spaced as shown.



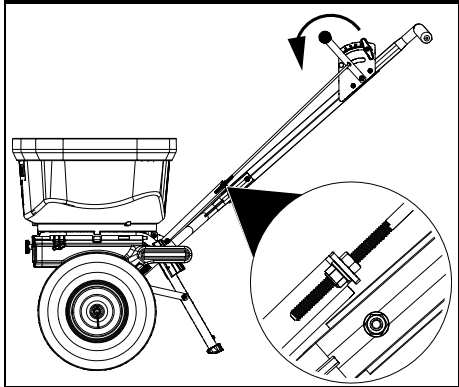
3. Attach control rod adapter to gate linkage (F). Secure with 6 mm flange nut (G) and nylon washer (H). Tighten nut until snug, then loosen nut 1/4 turn to allow hinge movement.



4. Push control rod adapter (D) downward until gate is fully closed.

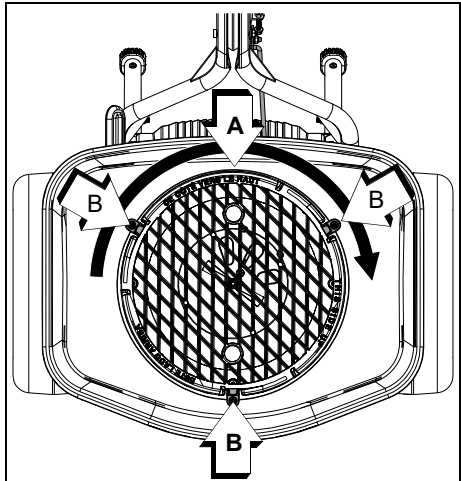


5. Position gate control lever fully forward, and tighten control rod nut and flange nut as shown.



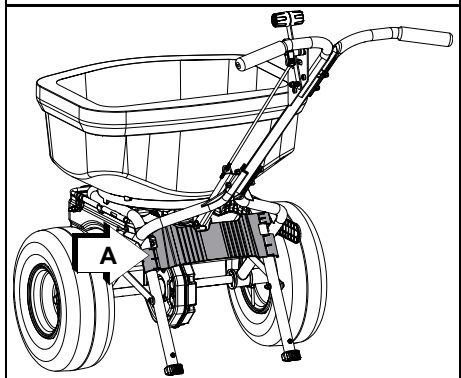
### Install Grate

1. Align notches in grate (A) with tabs (B) in hopper. Install grate into hopper. Turn grate clockwise to lock into place.



### Rear Deflector

1. Install rear deflector (A) as shown.



### Check Tire Pressure

## NOTICE

*Tires should be inflated to 15 psi. Assure tire pressure does not exceed 30 psi.*

## OPERATION

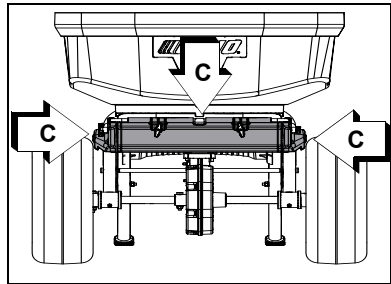
### Application Instructions

## ! CAUTION

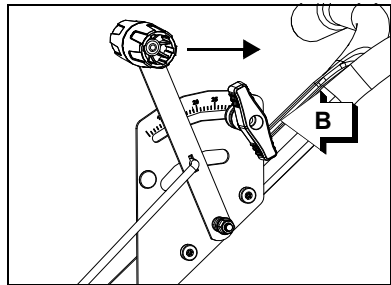
**TIP HAZARD.** Unit can tip on uneven ground. Always fill hopper on flat ground, and keep bystanders away. Otherwise personal injury can result.

- Adjust deflectors (C) to desired angle for spreading range.

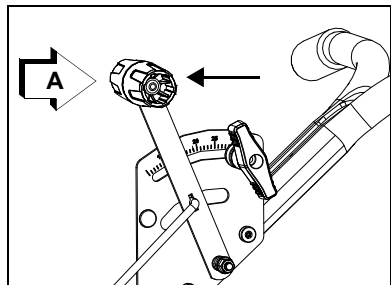
Note: With deflectors closed, product will spread 1.07 m (3.5 ft). With deflectors fully open, product will spread 1.88 - 2.44 m (6-8 ft), depending on rate of travel.



- Pull gate control lever backward to set gate to desired opening size. Use gate adjustment limiter (B) to restrict gate opening size.

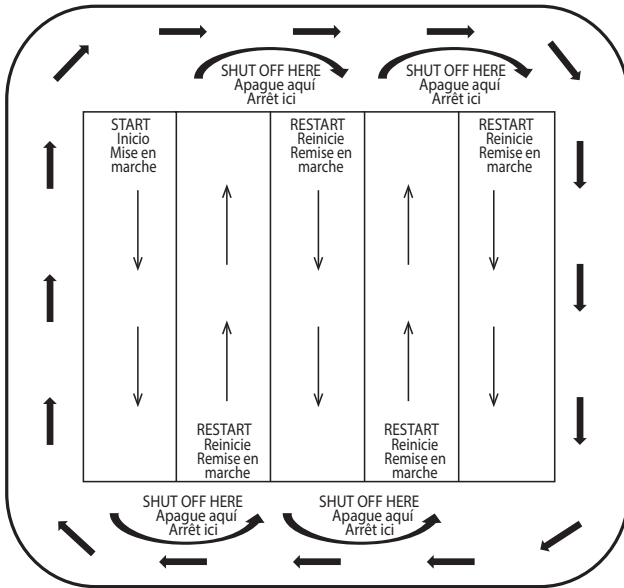


- Push gate control lever (A) fully forward to close gate. Fill hopper with product. Fill hopper in an area that won't be damaged by spilled product.



- 5. Start spreader in motion, and pull gate control lever back to begin the flow of product.
- 6. Move gate control lever forward to close gate before turning or stopping.

Sample Spread Pattern  
Muestra del patrón de distribución  
Modèle d'épandage typ



---

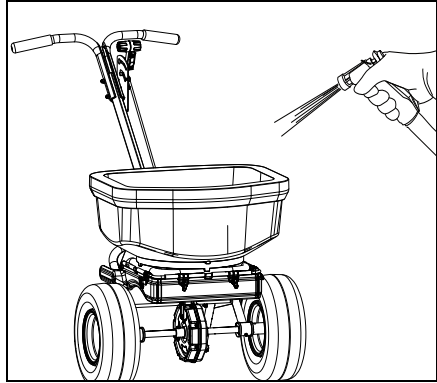
**MAINTENANCE**

---

**Cleaning Spreader****NOTICE**

*Avoid spraying gear case directly, and do not use a pressure washer on spreader.*

1. Wash spreader with a garden hose after each use.

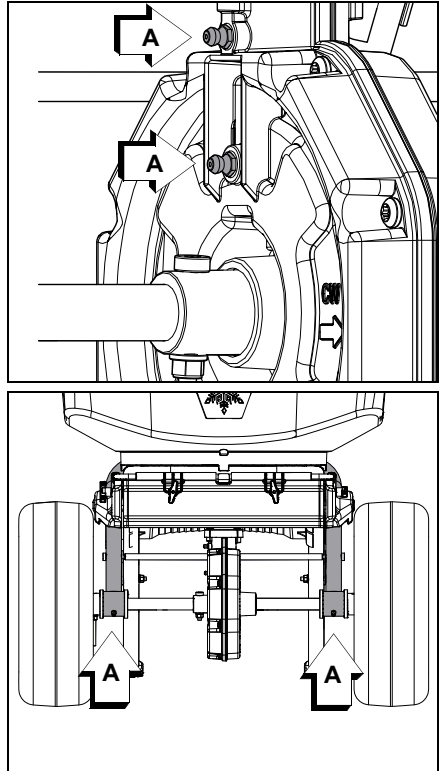


Lubrication

**NOTICE**

*Lubricate gear case and axle once per season.*

- 1. Gear case and Axle: Clear debris from grease fittings (A). Apply 1-2 pumps of lithium-based grease with appropriate grease gun. Clean excess grease from grease fittings.



---

**SPECIFICATIONS**


---

| MODEL                   | RB-85W                         |
|-------------------------|--------------------------------|
| Length                  | 1,194 mm (47 in.)              |
| Width                   | 654 mm (25.75 in.)             |
| Height                  | 952 mm (37.50 in.)             |
| Weight                  | 17.50 kg (38.50 lb.)           |
| <b>Capacity</b>         |                                |
| Weight                  | 38.50 kg (85 lb.)              |
| Volume                  | 43.9 L (1.55 ft <sup>3</sup> ) |
| Loading Height          | 641 mm (25.25 in.)             |
| <b>Wheels and Tires</b> |                                |
| Tire Diameter           | 305 mm (12in.)                 |
| Tire Type               | Tubeless Pneumatic             |
| Recommended Pressure    | 103.4 kPa (15 psi)             |

---

**PRODUCT REGISTRATION**


---

**Thank you for choosing ECHO Power Equipment**

Please go to <http://www.echo-usa.com/Warranty/Register-Your-ECHO> to register your new product on-line. It's **FAST** and **EASY!** NOTE: your information will never be sold or misused by ECHO, Incorporated.

Registering your purchase enables us to contact you in the unlikely event of a service update or product recall, and verifies your ownership for warranty consideration.

If you do not have access to the Internet, you can complete the form below and mail to:

***ECHO Incorporated, Product Registration, PO Box 1139,  
Lake Zurich, IL 60047.***





PRODUCT REGISTRATION CARD : TARJETA DE REGISTRO : CARTE D'ENREGISTREMENT DU PRODUIT

**ONLINE OPTION:** Register online and save a stamp! You will be alerted of product updates and/or be sent new ECHO product information and special offers. Simply go to: [www.echo-usa.com](http://www.echo-usa.com)

**OPCIÓN POR INTERNET:** Regístrese en la página web y ahorre una estampilla! Le alertarán sobre actualizaciones del producto y/o se le enviará información sobre los nuevos productos ECHO y ofertas especiales. Simplemente visite: [www.echo-usa.com](http://www.echo-usa.com)

**OPTION EN LIGNE:** Enregistrer en ligne et épargner un timbre! Vous serez informé sur les nouveaux produits ECHO et les mises à jour de produit ainsi que les offres spéciales. Simplement visitez le: [www.echo-usa.com](http://www.echo-usa.com)

Please Print : Por Favor Enscriba Con Letra De Molde : En Lettre Carré S.V.P. Confidential: Information provided will not be shared or sold

|  |   |
|--|---|
| Purchaser's Name : Nombre del Comprador : Nom de l'acheteur              |   |
| Address : Dirección : Adresse  |   |
| City : Ciudad : Ville  | State : Estado : Province                               |
| Zip Code : Código Postal : Code Postal                                   |   |
| E-Mail Address : Dirección De Correo Electrónico : Courriel Electronique |   |
| Phone Number : Número De Teléfono : Téléphone                            | Date of Purchase : Fecha de la Compra : Date de l'achat |
| Where Purchased : Nombre del Almacén donde fue Comprado : Lieu d'achat   |   |
| Model Number : Numero del Modelo : No. de modèle                         |   |
| Serial Number : Numero de Serie : No. de série                           |   |

Registering your purchase enables us to contact you in the unlikely event of a service update or product recall and verifies your purchase for warranty purposes. Please do not alter or remove this information. We reserve the right to discontinue this service at any time without notice. Thank you for your purchase!

Como el aviso de tiempo de servicio o la revocación del producto y verificación de propiedad en caso de robo o pérdida. L'enregistrement de votre achat nous permettra de vous contacter dans le cas improbable de modifications des instructions d'emballage ou de rappel du produit et vérifier que vous êtes le propriétaire en cas de vol ou de perte.

Primary use of tool:  Homeowner  Rental Equip.  
 Uso primario de la herramienta:  Profesional  Dueño de casa  Alquiler  
 Usage principal :  Professionnel  Résidentiel  Location  
 Do you wish to receive periodic ECHO product information and special offers by e-mail?  Yes  No  
 ¿Desea usted recibir información periódica y ofertas especiales por correo electrónico sobre el producto ECHO?  Yes  No  
 Souhaitez-vous recevoir périodiquement de l'information sur les produits ECHO et les offres spéciales par courrier électronique ?  Oui  Non  
 Did you visit the ECHO website before purchasing your product?  Yes  No  
 Visité usted la página web ECHO antes de comprar su producto?  Si  No  
 Avez-vous visité le site d'ECHO avant de procurer votre produit?  Oui  Non

What factor(s) most influenced your purchase?  
 Performance  Price  Dealer  
 Reliability  Prior Experience  Quality  Warranty  
 Friend/Family  Brand  Distributor  
 Functionality  Precio  Callad  
 Confiabilidad  Experiencia Anterior  Garantía  
 Amigo/Familia  Marca

¿Que factor(es) influenció más en su compra?  
 Rendimiento  Precio  Distribuidor  
 Funcionamiento  Experiencia Anterior  Calidad  
 Amigo/Familia  Marca  Garantía

Quel facteur (facteurs) vous a influencé le plus?  
 Performance  Prix  Marchand  
 Fiabilité  Expérience  Garantie  
 Ami/Famille  Marque

**ECHO Incorporated 400 Oakwood Rd., Lake Zurich, IL 60047**  
**1.800.432.ECHO WWW.ECHO-USA.COM**

X757270206 02-2012







N31100001001 - N31100999999



**ECHO INCORPORATED**

400 Oakwood Road  
Lake Zurich, IL 60047

[www.echo-usa.com](http://www.echo-usa.com)