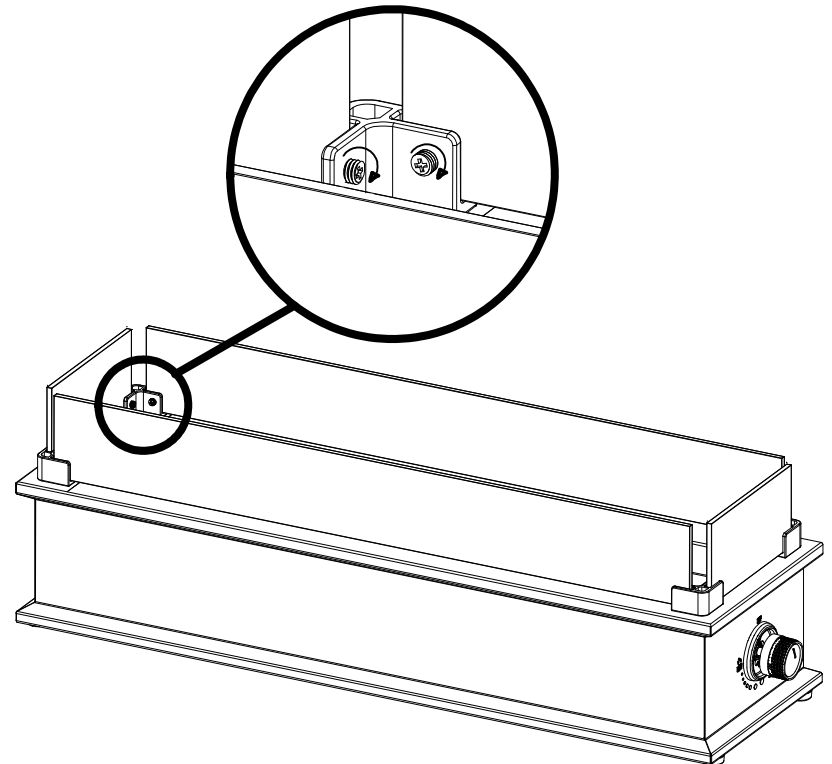


1. Loosen the screws on the mounting brackets.



2. Install the glass panels and tighten the screws.

IMPORTANT: Do not overtighten the Set screws or the glass will crack. The screws only need to be tight enough to prevent excess movement of the glass.