



Power Pruner™

Operator's Manual

**MODEL:
FOR MODELS**

**99946400023 4' EXTENSION
PP-1200/1250/1260
PPT-2100/2400
PPT-230/231
PPT-260/261
PPT-280
PPT-265
PPT-265S**

ENGLISH

ESPAÑOL

FRANCAIS



WARNING

Read rules for safe operation and instructions carefully. ECHO provides an Operator's Manual and a Safety Manual with your original Power Pruner™. Those manuals and this manual must be read and understood for proper and safe operation.

4 FOOT EXTENSION INSTALLATION

Tools Required: Screwdriver, 3 mm Hex Wrench, Measuring Tape

Parts Required: 1220mm (4 Foot) Extension



WARNING

The Saw Chain is sharp! Always wear gloves when handling the cutting attachment, otherwise serious personal injury may result.

1. Loosen the two (2) screws (A), and locator screw (B) on cutting attachment, and remove the cutting attachment.

(PPT Only)

2. Loosen clamp knob (C) turning counter clockwise.
3. Pull aluminum housing (D) out of fiberglass housing 610mm (24 in.), then slide (D) back into fiberglass housing approximately 305mm (12 in.) exposing inner drive shaft (E).

4. Loosen the extension clamp knob (G) turning counter clockwise.

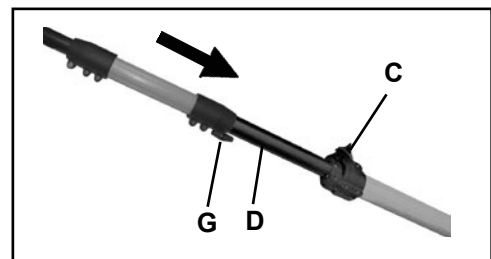
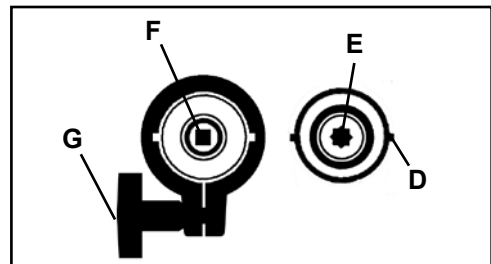
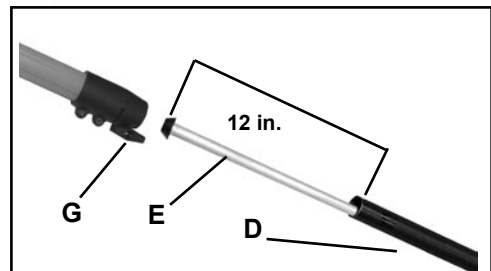
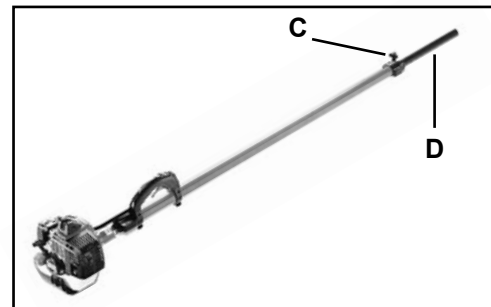
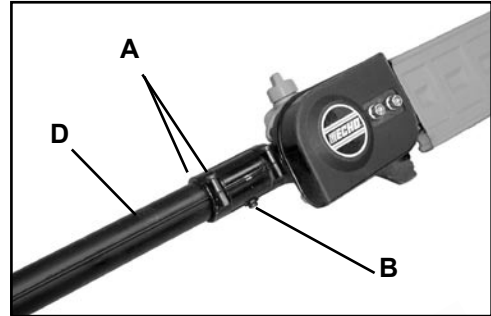
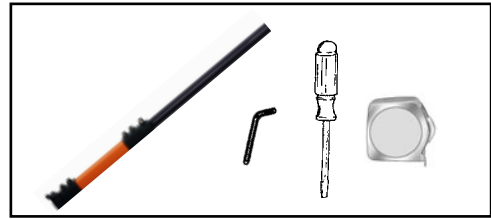
(All Models)

5. Align inner drive shaft adapter (E) with extension shaft (F).

NOTE

Assure locator hole in extension shaft is oriented on same side as locator hole in aluminum housing (D).

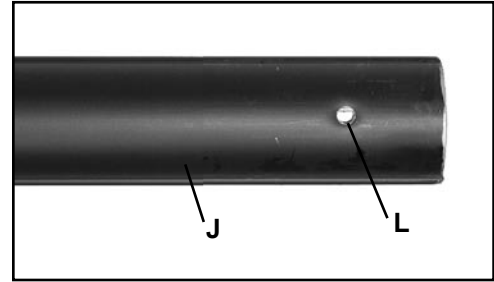
- 6a. Align ridges on aluminum housing (D) with grooves in extension housing.
 - 6b. Models PPT-2100/2400/230/231/260/261
Models PP-1200/1250/1260:
Slide extension coupling onto aluminum housing (D) until extension stops.
 - 6c. Models PPT-265/265S/280:
Slide extension coupling onto aluminum housing (D) until coupling stops against rivet in housing.
7. Tighten extension clamp knob (G) securely.



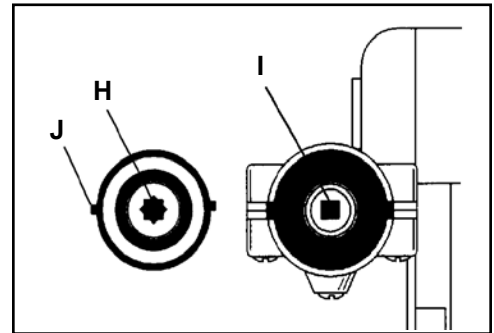
- Align extension drive shaft adapter (H) with cutting attachment shaft (I).

NOTE

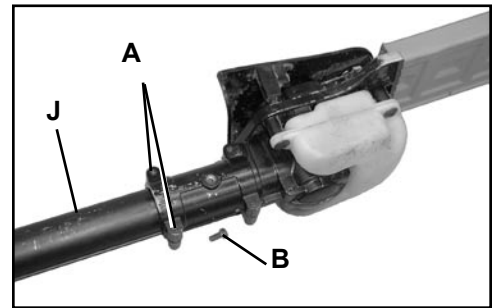
Locator screw in cutting attachment must align with locator hole (L) in extension housing (J).



- Align ridges on aluminum extension housing (J) with seams in cutting attachment and slide cutting attachment onto extension housing. Remove locator screw (B) to align locating hole in cutting attachment with locating hole (L) in aluminum extension housing.



- Install and tighten locator screw (B). Tighten two (2) cutting attachment screws (A).



4' Extension Safety Label P/N 89007522761

<p>WARNING </p> <p>This Power Pruner® is designed to accept only one extension. Use of more than one extension can result in balance and control problems leading to possible personal injury to operator and bystanders and/or unit damage. Refer to the application chart in your Operator's Manual for approved extension and attachment combinations or visit www.echo-usa.com.</p> <p>Use this extension with ECHO Power Pruner® models ONLY.</p>	<p>ADVERTENCIA </p> <p>Power Pruner® está diseñada para trabajar con una sola extensión. Si utiliza más de una extensión se pueden producir problemas de equilibrio y control que causen posibles lesiones corporales al operador y a los transeúntes y/o daño a la unidad. Para las combinaciones de extensión y accesorio aprobadas, consulte la tabla de aplicaciones en su Manual del Operador o visite www.echo-usa.com.</p> <p>Utilice esta extensión ÚNICAMENTE con los modelos Power Pruner® de ECHO.</p>	<p>AVERTISSEMENT </p> <p>Cette Power Pruner® est conçue pour n'accepter qu'une seule rallonge. L'usage de plusieurs rallonges peut causer des problèmes d'équilibre et de contrôle susceptibles non seulement de blesser l'opérateur et les personnes se trouvant sur son trajet mais aussi d'endommager l'appareil. Reportez-vous au tableau d'applications du manuel d'utilisation pour les combinaisons approuvées de rallonges et d'accessoires, ou visitez le site www.echo-usa.com.</p> <p>Utilisez ce rallonge UNIQUEMENT avec les modèles ECHO Power Pruner®.</p>
---	--	--



WARNING

- The Power Pruner™ is designed to accept only one extension. Use of more than one extension or longer shafts can result in balance and control problems leading to possible personal injury to operator and bystanders and/or unit damage.
- Use this extension with ECHO Power Pruner™ models ONLY.

ECHO CONSUMER PRODUCT SUPPORT

If you require assistance or have questions concerning the application, operation or maintenance of this product you may call the ECHO Consumer Product Support Department at 1-800-673-1558 from 8:30 am to 4:30 pm (Central Standard Time) Monday through Friday. Before calling, please know the model and serial number of your unit to help your Consumer Product Support Representative.



ECHO, Incorporated 400 Oakwood Road Lake Zurich, IL 60047
www.echo-usa.com