

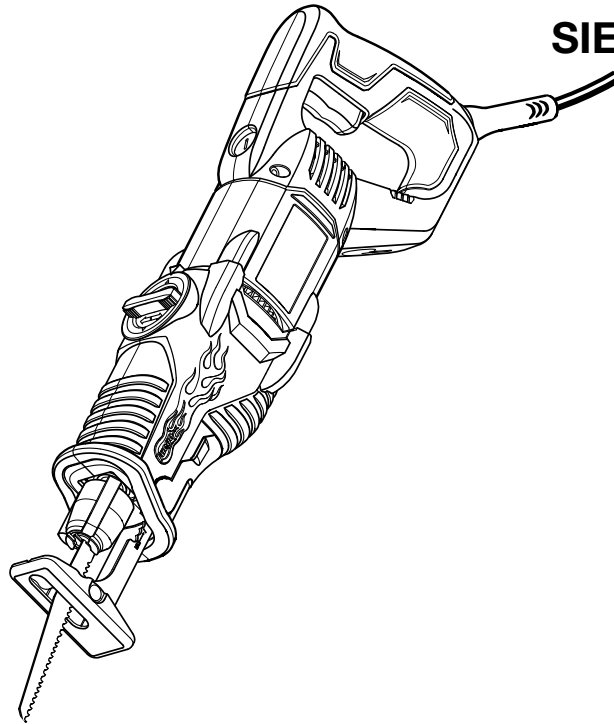
OPERATOR'S MANUAL MANUEL D'UTILISATION MANUAL DEL OPERADOR

RECIPROCATING SAW

SCIE ALTERNATIVE SIERRA ALTERNATIVA DE

VARIABLE SPEED
À VITESSE VARIABLE
VELOCIDAD VARIABLE

R3002



To register your RIDGID product, please visit:
<http://register.RIDGID.com>

Pour enregistrer votre produit de RIDGID, s'il vous plaît la visite:
<http://register.RIDGID.com>

Para registrar su producto de RIDGID, por favor visita:
<http://register.RIDGID.com>

Your reciprocating saw has been engineered and manufactured to our high standard for dependability, ease of operation, and operator safety. When properly cared for, it will give you years of rugged, trouble-free performance.

⚠ WARNING: To reduce the risk of injury, the user must read and understand the operator's manual before using this product.

Thank you for buying a RIDGID® product.

SAVE THIS MANUAL FOR FUTURE REFERENCE

Cette scie alternative a été conçue et fabriquée conformément à nos strictes normes de fiabilité, simplicité d'emploi et sécurité d'utilisation. Correctement entretenue, elle vous donnera des années de fonctionnement robuste et sans problème.

⚠ AVERTISSEMENT :
Pour réduire les risques de blessures, l'utilisateur doit lire et veiller à bien comprendre le manuel d'utilisation avant d'employer ce produit.

Merci d'avoir acheté un produit RIDGID®.

**CONSERVER CE MANUEL POUR
FUTURE RÉFÉRENCE**

Su sierra alternativa ha sido diseñada y fabricada de conformidad con nuestras estrictas normas para brindar fiabilidad, facilidad de uso y seguridad para el operador. Con el debido cuidado, le brindará muchos años de sólido y eficiente funcionamiento.

⚠ ADVERTENCIA:
Para reducir el riesgo de lesiones, el usuario debe leer y comprender el manual del operador antes de usar este producto.

Le agradecemos la compra de un producto RIDGID®.

**GUARDE ESTE MANUAL PARA
FUTURAS CONSULTAS**

TABLE OF CONTENTS

TABLE DES MATIÈRES / ÍNDICE DE CONTENIDO

■ Introduction	2
Introduction / Introducción	
■ General Safety Rules	3-4
Règles de sécurité générales / Reglas de seguridad generales	
■ Specific Safety Rules.....	4
Règles de sécurité particulières / Reglas de seguridad específicas	
■ Symbols.....	5
Symboles / Símbolos	
■ Electrical	6
Caractéristiques électriques / Aspectos eléctricos	
■ Features.....	7
Caractéristiques / Características	
■ Assembly.....	7
Assemblage / Armado	
■ Operation.....	8-9
Utilisation / Funcionamiento	
■ Maintenance.....	10
Entretien / Mantenimiento	
■ Warranty	11
Garantie / Garantía	
■ Figure numbers (illustrations).	12-13
Figure numéros (illustrations) / Figura numeras (ilustraciones)	
■ Parts Ordering and Service	Back Page
Commande de pièces et réparation / Pedidos de piezas y servicio	Page arrière / Pág. posterior

INTRODUCTION

INTRODUCTION / INTRODUCCIÓN

This product has many features for making its use more pleasant and enjoyable. Safety, performance, and dependability have been given top priority in the design of this product making it easy to maintain and operate.

* * *

Ce produit offre de nombreuses fonctions destinées à rendre son utilisation plus plaisante et satisfaisante. Lors de la conception de ce produit, l'accent a été mis sur la sécurité, les performances et la fiabilité, afin d'en faire un outil facile à utiliser et à entretenir.

* * *

Este producto ofrece numerosas características para hacer más agradable y placentero su uso. En el diseño de este producto se ha conferido prioridad a la seguridad, el desempeño y la fiabilidad, por lo cual se facilita su manejo y mantenimiento.

GENERAL SAFETY RULES

WARNING:

Read all instructions. Failure to follow all instructions listed below may result in electric shock, fire and/or serious injury. The term “power tool” in all of the warnings listed below refers to your mains-operated (corded) power tool or battery-operated (cordless) power tool.

SAVE THESE INSTRUCTIONS

WORK AREA SAFETY

- **Keep work area clean and well lit.** Cluttered or dark areas invite accidents.
- **Do not operate power tools in explosive atmospheres, such as in the presence of flammable liquids, gases or dust.** Power tools create sparks which may ignite the dust or fumes.
- **Keep children and bystanders away while operating a power tool.** Distractions can cause you to lose control.

ELECTRICAL SAFETY

- **Power tool plugs must match the outlet. Never modify the plug in any way. Do not use any adapter plugs with earthed (grounded) power tools.** Unmodified plugs and matching outlets will reduce risk of electric shock.
- **Avoid body contact with earthed or grounded surfaces such as pipes, radiators, ranges and refrigerators.** There is an increased risk of electric shock if your body is earthed or grounded.
- **Do not expose power tools to rain or wet conditions.** Water entering a power tool will increase the risk of electric shock.
- **Do not abuse the cord. Never use the cord for carrying, pulling or unplugging the power tool. Keep cord away from heat, oil, sharp edges or moving parts.** Damaged or entangled cords increase the risk of electric shock.
- **When operating a power tool outdoors, use an extension cord suitable for outdoor use.** Use of a cord suitable for outdoor use reduces the risk of electric shock.

PERSONAL SAFETY

- **Stay alert, watch what you are doing and use common sense when operating a power tool. Do not use a power tool while you are tired or under the influence of drugs, alcohol or medication.** A moment of inattention while operating power tools may result in serious personal injury.
- **Use safety equipment. Always wear eye protection.** Safety equipment such as dust mask, non-skid safety shoes, hard hat, or hearing protection used for appropriate conditions will reduce personal injuries.
- **Avoid accidental starting. Ensure the switch is in the off-position before plugging in.** Carrying power tools with your finger on the switch or plugging in power tools that have the switch on invites accidents.

- **Remove any adjusting key or wrench before turning the power tool on.** A wrench or a key left attached to a rotating part of the power tool may result in personal injury.
- **Do not overreach. Keep proper footing and balance at all times.** This enables better control of the power tool in unexpected situations.
- **Dress properly. Do not wear loose clothing or jewelry. Keep your hair, clothing and gloves away from moving parts.** Loose clothes, jewelry, or long hair can be caught in moving parts.
- **If devices are provided for the connection of dust extraction and collection facilities, ensure these are connected and properly used.** Use of these devices can reduce dust-related hazards.

POWER TOOL USE AND CARE

- **Do not force the power tool. Use the correct power tool for your application.** The correct power tool will do the job better and safer at the rate for which it was designed.
- **Do not use the power tool if the switch does not turn it on and off.** Any power tool that cannot be controlled with the switch is dangerous and must be repaired.
- **Disconnect the plug from the power source and/or the battery pack from the power tool before making any adjustments, changing accessories, or storing power tools.** Such preventive safety measures reduce the risk of starting the power tool accidentally.
- **Store idle power tools out of the reach of children and do not allow persons unfamiliar with the power tool or these instructions to operate the power tool.** Power tools are dangerous in the hands of untrained users.
- **Maintain power tools. Check for misalignment or binding of moving parts, breakage of parts, and any other condition that may affect the power tool's operation. If damaged, have the power tool repaired before use.** Many accidents are caused by poorly maintained power tools.
- **Keep cutting tools sharp and clean.** Properly maintained cutting tools with sharp cutting edges are less likely to bind and are easier to control.
- **Use the power tool, accessories and tool bits etc., in accordance with these instructions and in the manner intended for the particular type of power tool, taking into account the working conditions and the work to be performed.** Use of the power tool for operations different from those intended could result in a hazardous situation.

SERVICE

- **Have your power tool serviced by a qualified repair person using only identical replacement parts.** This will ensure that the safety of the power tool is maintained.

WARNING:

To reduce the risk of injury, user must read instruction manual.

GENERAL SAFETY RULES

- **When servicing a power tool, use only identical replacement parts. Follow instructions in the Maintenance section of this manual.** Use of unauthorized

parts or failure to follow Maintenance instructions may create a risk of shock or injury.

SPECIFIC SAFETY RULES

- **Hold power tool by insulated gripping surfaces when performing an operation where the cutting tool may contact hidden wiring or its own cord.** Contact with a “live” wire will make exposed metal parts of the tool “live” and shock the operator.
- **Use clamps or other practical way to secure and support the workpiece to a stable platform.** Holding the work by hand or against your body leaves it unstable and may lead to loss of control.
- **Know your power tool. Read operator’s manual carefully. Learn its applications and limitations, as well as the specific potential hazards related to this tool.** Following this rule will reduce the risk of electric shock, fire, or serious injury.
- **Always wear eye protection marked to comply with ANSI Z87.1.** Following this rule will reduce the risk of serious personal injury.
- **Protect your lungs. Wear a face or dust mask if the operation is dusty.** Following this rule will reduce the risk of serious personal injury.
- **Protect your hearing. Wear hearing protectors during extended periods of operation.** Following this rule will reduce the risk of serious personal injury.
- **Inspect tool cords periodically and, if damaged, have repaired at your nearest authorized service center. Constantly stay aware of cord location.** Following this rule will reduce the risk of electric shock or fire.
- **Check damaged parts. Before further use of the tool, a guard or other part that is damaged should be carefully checked to determine that it will operate properly and perform its intended function. Check for alignment of moving parts, binding of moving parts, breakage of parts, mounting, and any other conditions that may affect its operation. A guard or other part that is damaged should be properly repaired or replaced by an authorized service center.** Following this rule will reduce the risk of shock, fire, or serious injury.
- **Make sure your extension cord is in good condition. When using an extension cord, be sure to use one heavy enough to carry the current your product will draw. A wire gauge size (A.W.G.) of at least 14 is recommended for an extension cord 50 feet or less in length. A cord exceeding 100 feet is not recommended. If in doubt, use the next heavier gauge. The smaller the gauge number, the heavier the cord.** An undersized cord will cause a drop in line voltage resulting in loss of power and overheating.
- **Inspect for and remove all nails from lumber before using this tool.** Following this rule will reduce the risk of serious personal injury.
- **If the power supply cord is damaged, it must be replaced only by the manufacturer or by an authorized service center to avoid risk.**
- **Do not wear loose clothing or jewelry. Contain long hair.** Loose clothes, jewelry, or long hair can be drawn into air vents.
- **Do not use on a ladder or unstable support.** Stable footing on a solid surface enables better control of the power tool in unexpected situations.
- **Save these instructions.** Refer to them frequently and use them to instruct others who may use this tool. If you loan someone this tool, loan them these instructions also.

CALIFORNIA PROPOSITION 65

WARNING:




This product and some dust created by power sanding, sawing, grinding, drilling, and other construction activities may contain chemicals, including lead, known to the State of California to cause cancer, birth defects, or other reproductive harm. **Wash hands after handling.** Some example of these chemicals are:

- lead from lead-based paints,
- crystalline silica from bricks and cement and other masonry products, and
- arsenic and chromium from chemically-treated lumber.







Your risk from these exposures varies, depending on how often you do this type of work. To reduce your exposure to these chemicals: work in a well ventilated area, and work with approved safety equipment, such as those dust masks that are specially designed to filter out microscopic particles.

SYMBOLS

The following signal words and meanings are intended to explain the levels of risk associated with this product.

SYMBOL	SIGNAL	MEANING
	DANGER:	Indicates an imminently hazardous situation, which, if not avoided, will result in death or serious injury.
	WARNING:	Indicates a potentially hazardous situation, which, if not avoided, could result in death or serious injury.
	CAUTION:	Indicates a potentially hazardous situation, which, if not avoided, may result in minor or moderate injury.
	CAUTION:	(Without Safety Alert Symbol) Indicates a situation that may result in property damage.

Some of the following symbols may be used on this product. Please study them and learn their meaning. Proper interpretation of these symbols will allow you to operate the product better and safer.

SYMBOL	NAME	DESIGNATION/EXPLANATION
	Safety Alert	Indicates a potential personal injury hazard.
V	Volts	Voltage
A	Amperes	Current
Hz	Hertz	Frequency (cycles per second)
min	Minutes	Time
~	Alternating Current	Type of current
n_0	No Load Speed	Rotational speed, at no load
	Class II Tool	Double-insulated construction
.../min	Per Minute	Revolutions, strokes, surface speed, orbits etc., per minute
	Wet Conditions Alert	Do not expose to rain or use in damp locations.
	Read The Operator's Manual	To reduce the risk of injury, user must read and understand operator's manual before using this product.
	Eye Protection	Always wear eye protection with side shields marked to comply with ANSI Z87.1.
	No Hands Symbol	Failure to keep your hands away from the blade will result in serious personal injury.

ELECTRICAL

DOUBLE INSULATION

Double insulation is a concept in safety in electric power tools, which eliminates the need for the usual three-wire grounded power cord. All exposed metal parts are isolated from the internal metal motor components with protecting insulation. Double insulated tools do not need to be grounded.

WARNING:

The double insulated system is intended to protect the user from shock resulting from a break in the tool's internal wiring. Observe all normal safety precautions to avoid electrical shock.

NOTE: Servicing of a product with double insulation requires extreme care and knowledge of the system and should be performed only by a qualified service technician. For service, we suggest you return the tool to your nearest authorized service center for repair. Always use original factory replacement parts when servicing.

ELECTRICAL CONNECTION

This tool has a precision-built electric motor. It should be connected to a power supply that is **120 volts, AC only (normal household current), 60 Hz**. Do not operate this tool on direct current (DC). A substantial voltage drop will cause a loss of power and the motor will overheat. If the tool does not operate when plugged into an outlet, double-check the power supply.

EXTENSION CORDS

When using a power tool at a considerable distance from a power source, be sure to use an extension cord that has the capacity to handle the current the product will draw. An undersized cord will cause a drop in line voltage, resulting in overheating and loss of power. Use the chart to determine the minimum wire size required in an extension cord. Only round jacketed cords listed by Underwriter's Laboratories (UL) should be used.

When working outdoors with a product, use an extension cord that is designed for outside use. This type of cord is designated with "W-A" or "W" on the cord's jacket.

Before using any extension cord, inspect it for loose or exposed wires and cut or worn insulation.

**Ampere rating (on product data plate)

Cord Length	Wire Size (A.W.G.)					
	0-2.0	2.1-3.4	3.5-5.0	5.1-7.0	7.1-12.0	12.1-16.0
25'	16	16	16	16	14	14
50'	16	16	16	14	14	12
100'	16	16	14	12	10	—

**Used on 12 gauge - 20 amp circuit.

NOTE: AWG = American Wire Gauge

WARNING:

Keep the extension cord clear of the working area. Position the cord so that it will not get caught on lumber, tools, or other obstructions while you are working with a power tool. Failure to do so can result in serious personal injury.

WARNING:

Check extension cords before each use. If damaged replace immediately. Never use tool with a damaged cord since touching the damaged area could cause electrical shock resulting in serious injury.

FEATURES

PRODUCT SPECIFICATIONS

Switch..... Variable Speed
Stroke Length..... 3/4 in.
No Load Speed0-3,500 r/min. (RPM)

Input 120 V, AC only, 60 Hz, 9 Amps
Net Weight..... 7 lbs.

KNOW YOUR RECIPROCATING SAW

See Figure 1, page 12.

The safe use of this product requires an understanding of the information on the product and in this operator's manual as well as a knowledge of the project you are attempting. Before use of this product, familiarize yourself with all operating features and safety rules.

EXTERNALLY ACCESSIBLE BRUSHES

Externally accessible brushes extend the life of the saw.

ORBITAL ACTION SELECTOR

Use the orbital action selector to select either a linear stroke or orbital cutting action. A linear stroke is best for making smooth cuts while orbital action is best for making a faster cut.

SHOE ASSEMBLY

The shoe assembly of the reciprocating saw pivots up and down in both directions. The shoe is adjustable, allowing the use of the blade teeth at different positions on the blade.

TOOLLESS BLADE CLAMP

Your saw has a blade clamp design that does not require the use of a tool (blade wrench) when installing or removing the blade.

VARIABLE SPEED SWITCH TRIGGER

The variable speed switch delivers higher speed with increased trigger pressure and lower speed with decreased trigger pressure.

ASSEMBLY

UNPACKING

This product has been shipped completely assembled.

- Carefully remove the product and any accessories from the box. Make sure that all items listed in the packing list are included.

WARNING:

Do not use this product if it is not completely assembled or if any parts appear to be missing or damaged. Use of a product that is not properly and completely assembled could result in serious personal injury.

-
- Inspect the product carefully to make sure no breakage or damage occurred during shipping.
 - Do not discard the packing material until you have carefully inspected and satisfactorily operated the product.
 - If any parts are damaged or missing, please call 1-866-539-1710 for assistance.

PACKING LIST

Reciprocating Saw
Saw Blades (2)
Tool Bag
Operator's Manual

WARNING:

If any parts are damaged or missing do not operate this product until the parts are replaced. Use of this product with damaged or missing parts could result in serious personal injury.

WARNING:

Do not attempt to modify this product or create accessories not recommended for use with this product. Any such alteration or modification is misuse and could result in a hazardous condition leading to possible serious personal injury.

WARNING:

Do not connect to power supply until assembly is complete. Failure to comply could result in accidental starting and possible serious personal injury.

OPERATION

WARNING:

Do not allow familiarity with this product to make you careless. Remember that a careless fraction of a second is sufficient to inflict serious injury.

WARNING:

Always wear eye protection marked to comply with ANSI Z87.1. Failure to do so could result in objects being thrown into your eyes resulting in possible serious injury.

WARNING:

Do not use any attachments or accessories not recommended by the manufacturer of this product. The use of attachments or accessories not recommended can result in serious personal injury.

APPLICATIONS

You may use this product for the purposes listed below:

- Cutting all types of wood products (lumber, plywood, paneling, composition board, and hard wood)
- Cutting masonite and plastic
- Cutting drywall
- Cutting metals such as sheet steel, pipe, steel rods, aluminum, brass, and copper

SELECTING BLADES

Selecting the correct type of blade is important in order to obtain the best performance from the saw. Select the blade based on the application and on the material you wish to cut. Selecting the right blade will give you a smoother, faster cut and prolong the life of the blade.

Blades with fewer teeth, 10 teeth per inch (TPI) are typically used for cutting wood, while blades with more teeth are better for cutting metal or plastic. We recommend 14 TPI for plastics and soft metals and 18 TPI for hard metals.

INSTALLING/REMOVING BLADE

See Figure 2, page 12.

- Unplug the saw.
- Rotate the blade clamp counterclockwise and hold to open.
- Insert saw blade until it is fully seated.

NOTE: Blade can be installed with teeth facing either up or down.

- Release the blade clamp to secure.
- To remove the blade, rotate the blade clamp counterclockwise.

CHANGING POSITIONS OF THE SHOE ASSEMBLY

See Figure 3, page 12.

The shoe of the reciprocating saw pivots in both directions for ease of use.

To change positions of the shoe assembly:

- Unplug the saw.
- Unlock the shoe release lever.
- Reposition the shoe assembly.
- Lock the shoe release lever.

TURNING THE SAW ON/OFF

See Figure 4, page 12.

- **To turn the saw on:** Depress the switch trigger.
- **To turn the saw off:** Release the switch trigger.

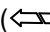
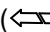
VARIABLE SPEED

See Figure 4, page 12.

The variable speed switch trigger delivers higher speed with increased trigger pressure and lower speed with decreased trigger pressure.

ORBITAL ACTION SELECTOR

See Figure 5, page 12.

Use the orbital action selector to select either a linear stroke () or orbital cutting () action. A linear stroke is best for making smooth cuts while orbital action is best for making a faster cut.

NOTE: To prevent damage to the tool, always allow motor to come to a complete stop before using the orbital action selector.

NOTE: Do not use the orbital action setting when using a metal cutting blade.

WARNING:

Cutting into electrical wiring in walls can cause metal surfaces of the saw to become electrically live. Do not touch metal parts when cutting into a wall; grasp only the insulated gripping surfaces provided on the tool. Make sure hidden electrical wiring, water pipes, and mechanical hazards are not in the blade path when cutting into a wall.

OPERATING THE SAW

See Figure 6, page 12.

- Secure the workpiece to a work bench or table with a vise or with clamps.
- Mark the line of cut clearly.
- Make sure the saw blade is clear of any foreign material and that the power cord and extension cord are out of the blade path.

OPERATION

- Hold the saw firmly in front of and clearly away from you.
- Depress the switch trigger to start the cutting action.
- Set the shoe assembly against the workpiece.
- Move the blade into the workpiece.

NOTE: Do not force. Use only enough pressure to keep the saw cutting. Let the blade and saw do the work. Keep pressure on the base, against the workpiece.

PLUNGE CUTTING WOOD OR WALL BOARD

See Figure 7, page 12.

- Secure the workpiece to a work bench or table with a vise or with clamps.
- Mark the line of cut clearly.
- Make sure the saw blade is clear of any foreign material and that the power cord and extension cord are out of the blade path.
- Hold the saw firmly in front of and clearly away from you.
- Choose a convenient starting point inside the cutting area and place the tip of the blade over that point.
- Rest the front edge of the shoe assembly on the workpiece and hold it firmly in position during the cut.
- Depress the switch trigger and allow the saw blade to reach full cutting speed.

WARNING:

Make sure the blade does not touch the workpiece until the motor reaches full speed. Failure to heed this warning can cause you to lose of control of the saw and result in serious injury.

-
- Tilt the saw downward until the tip of the blade starts cutting the workpiece.
 - Allow the saw to penetrate the workpiece.
 - Tilt the saw until the blade is perpendicular to the workpiece.

WARNING:

Blades longer than 6 in. can whip and should not be used for plunge cutting. Failure to heed this warning can result in serious personal injury.

WARNING:

Cutting into electrical wiring can cause the blade, the blade clamp, and the saw bar assembly to become electrically live. Do not touch metal parts when cutting into a wall; grasp only the insulated surfaces on the tool. Make sure hidden electrical wiring, water pipes, and mechanical hazards are not in the blade path when cutting into a wall.

METAL CUTTING

See Figure 8, page 13.

You may cut metals such as sheet steel, pipe, steel rods, aluminum, brass, and copper with the saw.

Observe the following tips when metal cutting:

- Be careful not to twist or bend the saw blade.
- **Do not** force the tool and use a slow speed setting.
- Use cutting oil when cutting soft metals and steel. Cutting oil also keeps the blades cool, increases cutting action, and prolongs blade life.
- **Never** use gasoline since normal sparking of motor could ignite fumes.
- Clamp the workpiece firmly and cut close to the clamping point to eliminate any vibration of the work. When cutting conduit pipe or angle iron, clamp the workpiece in a vise if possible and cut close to the vise. To cut thin sheet material, “sandwich” the material between hardboard or plywood and clamp the layers to eliminate vibration and material tearing.
- Always keep firm pressure on the shoe assembly to hold it securely against the workpiece.

MAINTENANCE

WARNING:

When servicing use only identical RIDGID® replacement parts. Use of any other parts may create a hazard or cause product damage.

WARNING:

Always wear eye protection marked to comply with ANSI Z87.1. Failure to do so could result in objects being thrown into your eyes resulting in possible serious injury.

GENERAL MAINTENANCE

Avoid using solvents when cleaning plastic parts. Most plastics are susceptible to damage from various types of commercial solvents and may be damaged by their use. Use clean cloths to remove dirt, dust, oil, grease, etc.

WARNING:

Do not at any time let brake fluids, gasoline, petroleum-based products, penetrating oils, etc., come in contact with plastic parts. Chemicals can damage, weaken or destroy plastic which may result in serious personal injury.

Electric tools used on fiberglass material, wallboard, spackling compounds, or plaster are subject to accelerated wear and possible premature failure because the fiberglass chips and grindings are highly abrasive to bearings, brushes, commutators, etc. Consequently, we do not recommend using this product for extended work on these types of materials. However, if you do work with any of these materials, it is extremely important to clean the product using compressed air.

LUBRICATION

All of the bearings in this product are lubricated with a sufficient amount of high grade lubricant for the life of the unit under normal operating conditions. Therefore, no further lubrication is required.

BRUSH REPLACEMENT

See Figure 9, page 13.

The reciprocating saw is equipped with externally accessible brushes.

To replace:

- Unplug the saw.
- Remove brush caps (2) using a flat blade screwdriver.
NOTE: The bottom brush cap is located underneath a cover. To remove the cover, remove the torx screw located on the left side of the cover.
- Remove brush assemblies (2).
- Check for wear. Replace both brush assemblies when either has less than 1/4 in. length of carbon remaining.
NOTE: Do not replace one side without replacing the other.
- Reassemble using new brush assemblies. Make sure curvature of brush matches curvature of motor and that brush moves freely in brush tube.
- Reassemble by reversing the steps listed above.
- Tighten all brush caps securely. **Do not** over tighten.

NOTE: FIGURES (ILLUSTRATIONS) START ON PAGE 12 AFTER FRENCH AND SPANISH LANGUAGE SECTIONS.

WARRANTY

RIDGID® HAND HELD AND STATIONARY POWER TOOL

3 YEAR LIMITED SERVICE WARRANTY

Proof of purchase must be presented when requesting warranty service.

Limited to RIDGID® hand held and stationary power tools purchased 2/1/04 and after. This product is manufactured by One World Technologies, Inc. The trademark is licensed from RIDGID, Inc. All warranty communications should be directed to One World Technologies, Inc., attn: RIDGID Hand Held and Stationary Power Tool Technical Service at (toll free) 1-866-539-1710.

90-DAY SATISFACTION GUARANTEE POLICY

During the first 90 days after the date of purchase, if you are dissatisfied with the performance of this RIDGID® Hand Held and Stationary Power Tool for any reason you may return the tool to the dealer from which it was purchased for a full refund or exchange. To receive a replacement tool you must present proof of purchase and return all original equipment packaged with the original product. The replacement tool will be covered by the limited warranty for the balance of the 3 YEAR service warranty period.

WHAT IS COVERED UNDER THE 3 YEAR LIMITED SERVICE WARRANTY

This warranty on RIDGID® Hand Held and Stationary Power Tools covers all defects in workmanship or materials and normal wear items such as brushes, chucks, motors, switches, cords, gears and even cordless batteries in this RIDGID® tool for three years following the purchase date of the tool. Warranties for other RIDGID® products may vary.

HOW TO OBTAIN SERVICE

To obtain service for this RIDGID® tool you must return it; freight prepaid, or take it in to an authorized service center for RIDGID® branded hand held and stationary power tools. You may obtain the location of the authorized service center nearest you by calling (toll free) 1-866-539-1710 or by logging on to the RIDGID® website at www.ridgid.com. When requesting warranty service, you must present the original dated sales receipt. The authorized service center will repair any faulty workmanship, and either repair or replace any part covered under the warranty, at our option, at no charge to you.

WHAT IS NOT COVERED

This warranty applies only to the original purchaser at retail and may not be transferred. This warranty only covers defects arising under normal usage and does not cover any malfunction, failure or defect resulting from misuse, abuse, neglect, alteration, modification or repair by other than an authorized service center for RIDGID® branded hand held and stationary power tools. Consumable accessories provided with the tool such as, but not limited to, blades, bits and sand paper are not covered.

RIDGID, INC. AND ONE WORLD TECHNOLOGIES, INC. MAKE NO WARRANTIES, REPRESENTATIONS OR PROMISES AS TO THE QUALITY OR PERFORMANCE OF ITS POWER TOOLS OTHER THAN THOSE SPECIFICALLY STATED IN THIS WARRANTY.

ADDITIONAL LIMITATIONS

To the extent permitted by applicable law, all implied warranties, including warranties of MERCHANTABILITY or FITNESS FOR A PARTICULAR PURPOSE, are disclaimed. Any implied warranties, including warranties of merchantability or fitness for a particular purpose, that cannot be disclaimed under state law are limited to three years from the date of purchase. One World Technologies, Inc. and RIDGID, Inc. are not responsible for direct, indirect, incidental or consequential damages. Some states do not allow limitations on how long an implied warranty lasts and/or do not allow the exclusion or limitation of incidental or consequential damages, so the above limitations may not apply to you. This warranty gives you specific legal rights, and you may also have other rights which vary from state to state.

One World Technologies, Inc.

P.O. Box 35, Hwy. 8

Pickens, SC 29671

RÈGLES DE SÉCURITÉ GÉNÉRALES

AVERTISSEMENT :

Lire toutes les instructions. Le non-respect de toutes les instructions ci-dessous peut entraîner un choc électrique, un incendie et / ou des blessures graves. Le terme « outil motorisé », utilisé dans tous les avertissements ci-dessous désigne tout outil fonctionnant sur secteur (câblé) ou sur batteries (sans fil).

CONSERVER CES INSTRUCTIONS

LIEU DE TRAVAIL

- **Garder le lieu de travail propre et bien éclairé.** Les endroits encombrés ou sombres sont propices aux accidents.
- **Ne pas utiliser d'outils électriques dans des atmosphères explosives, par exemple en présence de liquides, gaz ou poussières inflammables.** Les outils électriques produisent des étincelles risquant d'enflammer les poussières ou vapeurs.
- **Garder les enfants et badauds à l'écart pendant l'utilisation d'un outil électrique.** Les distractions peuvent causer une perte de contrôle.

SÉCURITÉ ÉLECTRIQUE

- **Les fiches des outils électriques doivent correspondre à la prise secteur utilisée. Ne jamais modifier la fiche, de quelque façon que ce soit. Ne jamais utiliser d'adaptateurs de fiche avec des outils mis à la terre.** Les fiches et prises non modifiées réduisent le risque de choc électrique.
- **Éviter tout contact du corps avec des surfaces mises à la terre, telles que tuyaux, radiateurs, cuisinières et réfrigérateurs.** Le risque d'électrocution est accru lorsque le corps est mis à la terre.
- **Ne pas exposer les outils électriques à l'eau ou l'humidité.** La pénétration d'eau dans ces outils accroît le risque de choc électrique.
- **Ne pas maltraiter le cordon d'alimentation. Ne jamais utiliser le cordon d'alimentation pour transporter l'outil et ne jamais débrancher ce dernier en tirant sur le cordon. Garder le cordon à l'écart de la chaleur, de l'huile, des objets tranchants et des pièces en mouvement.** Un cordon endommagé ou emmêlé accroît le risque de choc électrique.
- **Pour les travaux à l'extérieur, utiliser un cordon spécialement conçu à cet effet.** Utiliser un cordon conçu pour l'usage extérieur réduit les risques de choc électrique.

SÉCURITÉ PERSONNELLE

- **Rester attentif, prêter attention au travail et faire preuve de bon sens lors de l'utilisation de tout outil électrique. Ne pas utiliser cet outil en état de fatigue ou sous l'influence de l'alcool, de drogues ou de médicaments.** Un moment d'inattention pendant l'utilisation d'un outil électrique peut entraîner des blessures graves.
- **Utiliser l'équipement de sécurité. Toujours porter une protection oculaire.** L'équipement de sécurité, tel qu'un masque filtrant, de chaussures de sécurité, d'un casque ou d'une protection auditive, utilisé dans des conditions appropriées réduira le risque de blessures.

- **Éviter les démarrages accidentels. S'assurer que le commutateur est en position d'arrêt avant de brancher l'outil.** Porter un outil avec le doigt sur son commutateur ou brancher un outil dont le commutateur est en position de marche peut causer un accident.
- **Retirer les clés de réglage avant de mettre l'outil en marche.** Une clé laissée sur une pièce rotative de l'outil peut causer des blessures.
- **Ne pas travailler hors de portée. Toujours se tenir bien campé et en équilibre.** Ceci permettra de mieux contrôler l'outil en cas de situation imprévue.
- **Porter une tenue appropriée. Ne porter ni vêtements amples, ni bijoux. Garder les cheveux, les vêtements et les gants à l'écart des pièces en mouvement.** Les vêtements amples, bijoux et cheveux longs peuvent se prendre dans les pièces en mouvement.
- **Si les outils sont équipés de dispositifs de dépoussiérage, s'assurer qu'ils sont connectés et correctement utilisés.** L'usage de ces dispositifs peut réduire les dangers présentés par la poussière.

UTILISATION ET ENTRETIEN DE L'OUTILS MOTORISÉS

- **Ne pas forcer l'outil. Utiliser un outil approprié pour le travail.** Un outil approprié exécutera le travail mieux et de façon moins dangereuse s'il est utilisé dans les limites prévues.
- **Ne pas utiliser l'outil si le commutateur ne permet pas de le mettre en marche et de l'arrêter.** Tout outil qui ne peut pas être contrôlé par son commutateur est dangereux et doit être réparé.
- **Débrancher l'outil et / ou retirer le bloc de batteries avant d'effectuer des réglages, de changer d'accessoire ou de ranger l'outil.** Ces mesures de sécurité réduisent les risques de démarrage accidentel de l'outil.
- **Ranger les outils électriques hors de portée des enfants et ne laisser personne n'étant pas familiarisé avec le fonctionnement de l'outil ou ces instructions utiliser l'outil.** Dans les mains de personnes n'ayant pas reçu des instructions adéquates, les outils sont dangereux.
- **Veiller à entretenir les outils électriques. Vérifier qu'aucune pièce mobile n'est mal alignée, grippée ou brisée et s'assurer qu'aucun autre problème risque d'affecter le bon fonctionnement de l'outil. En cas de dommages, faire réparer l'outil avant de l'utiliser de nouveau.** Beaucoup d'accidents sont causés par des outils mal entretenus.
- **Garder les outils bien affûtés et propres. Des outils correctement entretenus et dont les tranchants sont bien affûtés risquent moins de se bloquer et sont plus faciles à contrôler.**
- **Utiliser l'outil, les accessoires et embouts, etc., conformément à ces instructions pour les applications pour lesquelles il est conçu, en tenant compte des conditions et du type de travail à exécuter. L'usage d'un outil électrique pour des applications pour lesquelles il n'est pas conçu peut être dangereux.**

DÉPANNAGE

- **Les réparations doivent être confiées à un technicien qualifié, utilisant exclusivement des pièces identiques à celles d'origine.** Ceci assurera le maintien de la sécurité de l'outil.

RÈGLES DE SÉCURITÉ GÉNÉRALES

AVERTISSEMENT :

Pour réduire les risques de blessures, l'utilisateur doit lire et veiller à bien comprendre le manuel d'utilisation.

- **Utiliser exclusivement des pièces identiques à celles d'origine pour les réparations. Se conformer aux instructions de la section Entretien de ce manuel.** L'usage de pièces non autorisées ou le non-respect des instructions peut présenter des risques de choc électrique ou de blessures.

RÈGLES DE SÉCURITÉ PARTICULIÈRES

- **Lorsque l'outil est utilisé pour un travail risquant de le mettre en contact avec des fils électriques cachés ou avec son propre cordon d'alimentation, le tenir par les surfaces de prise isolées.** Tout contact avec un fil sous tension électrifierait les parties métalliques de l'outil, et causerait un choc électrique.
- **Dans la mesure du possible, utiliser des serre-joint pour maintenir la pièce sur une surface stable.** Une pièce tenue à la main ou contre son corps le rend instable et peut causer une perte de contrôle.
- **Apprendre à connaître l'outil. Lire attentivement le manuel d'utilisation. Apprendre les applications et les limites de l'outil, ainsi que les risques spécifiques relatifs à son utilisation.** Le respect de cette consigne réduira les risques d'incendie, de choc électrique et de blessures graves.
- **Toujours porter une protection oculaire certifiée conforme à la norme ANSI Z87.1.** Le respect de cette règle réduira les risques de blessures graves.
- **Protection respiratoire. Porter un masque facial ou un masque antipoussière si le travail produit de la poussière.** Le respect de cette consigne réduira les risques de blessures graves.
- **Protection auditive. Porter une protection auditive lors de l'utilisation prolongée.** Le respect de cette règle réduira les risques de blessures graves.
- **Inspecter régulièrement les cordons d'alimentation des outils et s'ils sont endommagés, les confier au centre de réparations agréé le plus proche. Toujours être conscient de l'emplacement du cordon.** Le respect de cette règle réduira les risques de choc électrique et d'incendie.
- **Vérifier l'état des pièces. Avant d'utiliser l'outil de nouveau examiner soigneusement les pièces et dispositifs de protection qui semblent endommagés afin de déterminer s'ils fonctionnent correctement et s'ils remplissent les fonctions prévues. Vérifier l'alignement des pièces mobiles, s'assurer qu'aucune pièce n'est bloquée ou cassée, vérifier la fixation de chaque pièce et s'assurer qu'aucun autre problème ne risque d'affecter le bon fonctionnement de l'outil. Toute protection ou pièce endommagée doit être correctement réparée ou remplacée dans un centre de réparations agréé.** Le respect de cette consigne réduira les risques de choc électrique, d'incendie et de blessures graves.
- **S'assurer que le cordon prolongateur est en bon état. Si un cordon prolongateur est utilisé, s'assurer que sa capacité est suffisante pour supporter le courant de fonctionnement de l'outil. Un calibre de fil (A.W.G) d'au minimum 14 est recommandé pour un cordon prolongateur de 15 m (50 pi) maximum. L'usage d'un cordon de plus de 30 m (100 pi) est déconseillé. En cas de doute, utiliser un cordon du calibre immédiatement supérieur. Moins le numéro de calibre est élevé, plus la capacité du fil est grande.** Un cordon de capacité insuffisante causerait une baisse de la tension de ligne, entraînant une perte de puissance et une surchauffe.
- **Inspecter la pièce et retirer les clous éventuels avant d'utiliser cet outil.** Le respect de cette consigne réduira les risques de blessures graves.
- **Si le cordon d'alimentation est endommagé, il doit être remplacé uniquement par le fabricant ou par un centre de réparation agréé pour éviter tout risque.**
- **Ne porter ni vêtements amples, ni bijoux. Attacher ou couvrir les cheveux longs.** Les vêtements amples, bijoux et cheveux longs peuvent se prendre dans les ouïes d'aération.
- **Ne pas utiliser l'outil sur une échelle ou un support instable.** Une bonne tenue et un bon équilibre permettent de mieux contrôler l'outil en cas de situation imprévue.
- **Conserver ces instructions.** Les consulter fréquemment et les utiliser pour instruire les autres utilisateurs éventuels. Si cet outil est prêté, il doit être accompagné de ces instructions.

PROPOSITION 65 DE LA CALIFORNIE

AVERTISSEMENT :




Ce produit ainsi que les substances rejetées dans l'air à la suite de son utilisation peuvent contenir des produits chimiques, notamment du plomb qui, selon l'État de la Californie, peuvent causer le cancer, des anomalies congénitales et d'autres dommages au système reproducteur. **Bien se laver les mains après toute manipulation.** Voici certains exemples de ces produits chimiques :

- le plomb contenu dans la peinture au plomb,
- la silice cristalline contenue dans les briques, le béton et d'autres produits de maçonnerie, ainsi que
- l'arsenic et le chrome contenus dans le bois de construction traité par produits chimiques.







Le risque présenté par l'exposition à ces produits varie en fonction de la fréquence de ce type de travail. Pour réduire l'exposition, travailler dans un endroit bien aéré et utiliser des équipements de sécurité approuvés tels que masques antipoussière spécialement conçus pour filtrer les particules microscopiques.

SYMBOLES

Les termes de mise en garde suivants et leur signification ont pour but d'expliquer le degré de risques associé à l'utilisation de ce produit.

SYMBOLE	SIGNAL	SIGNIFICATION
	DANGER :	Indique une situation extrêmement dangereuse qui, si elle n'est pas évitée, aura pour conséquences des blessures graves ou mortelles.
	AVERTISSEMENT :	Indique une situation potentiellement dangereuse qui, si elle n'est pas évitée, pourrait entraîner des blessures graves ou mortelles.
	ATTENTION :	Indique une situation potentiellement dangereuse qui, si elle n'est pas évitée, pourrait entraîner des blessures légères ou de gravité modérée.
	ATTENTION :	(Sans symbole d'alerte de sécurité) Indique une situation pouvant entraîner des dommages matériels.

Certains des symboles ci-dessous peuvent être présents sur produit. Veiller à les étudier et à apprendre leur signification. Une interprétation correcte de ces symboles permettra d'utiliser produit plus efficacement et de réduire les risques.

SYMBOLE	NOM	DÉSIGNATION / EXPLICATION
	Symbole d'alerte de sécurité	Indique un risque de blessure potentiel.
V	Volts	Tension
A	Ampères	Intensité
Hz	Hertz	Fréquence (cycles par seconde)
min	Minutes	Temps
~	Courant alternatif	Type de courant
n_0	Vitesse à vide	Vitesse de rotation à vide
	Outil de la classe II	Construction à double isolation
.../min	Par minute	Tours, coups, vitesse périphérique, orbites, etc., par minute
	Avertissement concernant l'humidité	Ne pas exposer l'outil à la pluie ou à l'humidité.
	Lire le manuel d'utilisation	Pour réduire les risques de blessures, l'utilisateur doit lire et veiller à bien comprendre le manuel d'utilisation avant d'utiliser ce produit.
	Protection oculaire	Toujours porter une protection oculaire avec écrans latéraux certifiée conforme à la norme ANSI Z87.1.
	Symbole garder les mains à l'écart	Le non-respect de cette mise en garde peut entraîner des blessures graves.

CARACTÉRISTIQUES ÉLECTRIQUES

DOUBLE ISOLATION

La double isolation est un dispositif de sécurité utilisé sur les outils à moteur électriques, éliminant le besoin de cordon d'alimentation habituel à trois fils avec terre. Toutes les pièces métalliques exposées sont isolées des composants internes du moteur par l'isolation protectrice. Les outils à double isolation ne nécessitent pas de mise à la terre.

AVERTISSEMENT :

Le système à double isolation est conçu pour protéger l'utilisateur contre les chocs électriques causés par une rupture du câblage interne de l'outil. Prendre toutes les précautions de sécurité normales pour éviter les chocs électriques.

NOTE : La réparation d'un outil à double isolation exigeant des précautions extrêmes ainsi que la connaissance du système, elle ne doit être confiée qu'à un réparateur qualifié. En ce qui concerne les réparations, nous recommandons de confier l'outil au centre de réparation le plus proche. Utiliser exclusivement des pièces d'origine pour les réparations.

CONNEXIONS ÉLECTRIQUES

Ce produit est équipé d'un moteur électrique de précision. Il doit être branché uniquement sur une alimentation **120 V, c.a. (courant résidentiel standard), 60 Hz**. Ne pas utiliser cet outil sur une source de courant continu (c.c.). Une chute de tension importante causerait une perte de puissance et une surchauffe du moteur. Si l'outil ne fonctionne pas une fois branché, vérifier l'alimentation électrique.

CORDONS PROLONGATEURS

Lors de l'utilisation d'un outil électrique à grande distance d'une prise secteur, veiller à utiliser un cordon prolongateur d'une capacité suffisante pour supporter l'appel de courant de l'outil. Un cordon de capacité insuffisante causerait une baisse de la tension de ligne, entraînant une perte de puissance et une surchauffe. Se reporter au tableau ci-dessous pour déterminer le calibre minimum de fil requis pour un cordon donné. Utiliser exclusivement des cordons à gaine cylindrique homologués par Underwriter's Laboratories (UL).

Pour le travail à l'extérieur, utiliser un cordon prolongateur spécialement conçu à cet effet. Ce type de cordon porte l'inscription « W-A » ou « W » sur sa gaine.

Avant d'utiliser un cordon prolongateur, vérifier que ses fils ne sont ni détachés ni exposés et que son isolation n'est ni coupée, ni usée.

**Intensité nominale (sur la plaquette signalétique de l'outil)

	0-2,0	2,1-3,4	3,5-5,0	5,1-7,0	7,1-12,0	12,1-16,0
Longueur du cordon	Calibre de fil (A.W.G.)					
25'	16	16	16	16	14	14
50'	16	16	16	14	14	12
100'	16	16	14	12	10	—

**Utilisé sur circuit de calibre 12 - 20 A.

NOTE : AWG = American Wire Gauge

AVERTISSEMENT :

Maintenir le cordon prolongateur à l'écart de la zone de travail. Lors du travail avec un cordon électrique, placer le cordon de manière à ce qu'il ne risque pas de se prendre dans les pièces de bois, outils et autres obstacles. Ne pas prendre cette précaution peut entraîner des blessures graves.

AVERTISSEMENT :

Vérifier l'état des cordons prolongateurs avant chaque utilisation. Remplacer immédiatement tout cordon endommagé. Ne jamais utiliser un outil dont le cordon d'alimentation est endommagé, car tout contact avec la partie endommagée pourrait causer un choc électrique et des blessures graves.

CARACTÉRISTIQUES

FICHE TECHNIQUE

Commutateur..... Vitesse variable
Course..... 19,1 mm (3/4 po)
Vitesse à vide0-3 500 r/min (RPM)

POUR SE FAMILIARISER AVEC LA SCIE ALTERNATIVE

Voir la figure 1, page 12.

La sécurité d'utilisation de ce produit exige la compréhension des informations apposées sur l'outil et contenues dans ce manuel d'utilisation, ainsi que la connaissance du travail à exécuter. Avant d'utiliser ce produit, se familiariser avec toutes ses fonctions et règles de sécurité.

BALAIS ACCESSIBLES DE L'EXTÉRIEUR

Balais accessibles de l'extérieur pour une longévité accrue de la machine.

SÉLECTEUR DE MOUVEMENT ORBITAL

Utiliser le sélecteur pour un mouvement de coupe orbital ou linéaire. Un mouvement linéaire permet des coupes plus lisses tandis qu'un mouvement orbital convient mieux à des coupes rapides.

ASSEMBLAGE

DÉBALLAGE

Ce produit a été expédié complètement assemblé.

- Avec précaution, sortir le produit et les accessoires de la boîte. S'assurer que toutes les pièces figurant sur la liste de contrôle sont incluses.

AVERTISSEMENT :

Ne pas utiliser le produit s'il n'est pas complètement assemblé ou si des pièces semblent manquantes ou endommagées. Le fait d'utiliser un produit assemblé de façon inadéquate ou incomplète peut entraîner des blessures graves.

- Examiner soigneusement le produit pour s'assurer que rien n'a été brisé ou endommagé en cours de transport.
- Ne pas jeter les matériaux d'emballage avant d'avoir soigneusement examiné le produit et avoir vérifié qu'il fonctionne correctement.
- Si des pièces sont manquantes ou endommagées, appeler le 1-866-539-1710.

LISTE DE CONTRÔLE D'EXPÉDITION

Scie alternative
Lames de scie (2)
Sacoche
Manuel d'utilisation

Alimentation..... 120 V, c.a. seulement, 60 Hz, 9 A
Poids net3,2 kg (7 lbs)

SABOT

La sabot de la scie alternative pivote vers le haut et le bas, dans les deux sens. La sabot est réglable, ce qui permet d'utiliser différentes positions des dents de la lame.

VERROUILLAGE DE LAME SANS OUTIL

Cette scie est équipée d'un système de verrouillage ne nécessitant pas l'usage d'un outil (clé à lame) pour installer ou retirer la lame.

GÂCHETTE DE VITESSE VARIABLE

Cet outil est doté d'une gâchette de commande de vitesse sensible à la pression. La vitesse est contrôlée par la pression exercée sur la gâchette.

AVERTISSEMENT :

Si des pièces manquent ou sont endommagées, ne pas utiliser ce produit avant qu'elles aient été remplacées. L'utilisation sûre de ce produit avec les pièces manquantes ou endommagées pourrait entraîner des blessures graves.

AVERTISSEMENT :

Ne pas essayer de modifier ce produit ou de créer des accessoires non recommandés pour le produit. De telles altérations ou modifications sont considérées comme un usage abusif et peuvent créer des conditions dangereuses, risquant d'entraîner des blessures graves.

AVERTISSEMENT :

Ne pas brancher sur le secteur avant d'avoir terminé l'assemblage. Le non respect de cet avertissement peut causer un démarrage accidentel, entraînant des blessures graves.

UTILISATION

AVERTISSEMENT :

Ne pas laisser la familiarité avec le produit faire oublier la prudence. Ne pas oublier qu'une fraction de seconde d'inattention peut entraîner des blessures graves.

AVERTISSEMENT :

Toujours porter une protection oculaire certifiée conforme à la norme ANSI Z87.1. Si cette précaution n'est pas prise, des objets peuvent être projetés dans les yeux et causer des lésions graves.

AVERTISSEMENT :

Ne pas utiliser d'outils ou accessoires non recommandés par le fabricant de ce produit. L'utilisation de pièces et accessoires non recommandés peut entraîner des blessures graves.

APPLICATIONS

Ce produit peut être utilisé pour les applications ci-dessous :

- Coupe de tous types de produits du bois (planches, contre-plaqué, lambrissage, aggloméré et bois dur)
- Coupe de masonite et plastique
- Coupe de placoplâtre
- Coupe d'objets en métal tels que la tôle, les tuyaux, les tiges d'acier, l'aluminium, le laiton et le cuivre

CHOIX DE LA LAME

Le choix d'une lame de type correct est essentiel pour obtenir les meilleurs résultats possibles avec la scie. La lame doit être choisie en fonction de l'application et du matériau à couper. Le choix d'une lame appropriée la coupe assure une coupe plus nette, plus rapide et prolonge la vie utile de la lame.

Les lames présentant un nombre réduit de dents (10 par pouce) sont généralement utilisées pour la coupe du bois, alors que celle présentant un plus grand nombre de dents sont préférables pour la coupe du métal ou du plastique. Nous recommandons l'usage de lames à 14 dents par pouce pour les plastiques et métaux tendres et à 18 dents par pouce pour les métaux durs.

INSTALLATION/RETRAIT LAME

Voir la figure 2, page 12.

- Débrancher la scie.
- Tourner le porte-lame dans le sens antihoraire et le maintenir en place afin de l'ouvrir.
- Insérer la lame de la scie jusqu'à ce qu'elle soit bien en place.

NOTE : La lame peut être installée avec les dents orientées vers le haut ou vers le bas.

- Relâcher le porte-lame afin de bien le fixer.
- Pour retirer la lame, tourner le porte-lame dans le sens antihoraire.

CHANGEMENT DES POSITIONS DU SABOT

Voir la figure 3, page 12.

La sabot de la scie alternative pivote dans les deux directions pour en faciliter l'utilisation.

Pour changer la position de la sabot :

- Débrancher la scie.
- Desserrer le levier de libération du sabot.
- Repositionner le sabot.
- Serrer la barre de réglage du sabot.

MISE EN MARCHÉ / ARRÊT DE LA SCIE

Voir la figure 4, page 12.

- **Pour mettre la scie en marche :** Appuyer sur la gâchette.
- **Pour arrêter la scie :** Relâcher la gâchette.

VITESSE VARIABLE

Voir la figure 4, page 12.

Cet outil est doté d'une gâchette de commande de vitesse sensible à la pression. La vitesse est contrôlée par la pression exercée sur la gâchette.

SÉLECTEUR DE MOUVEMENT ORBITAL

Voir la figure 5, page 12.

Utiliser le sélecteur pour un mouvement de coupe linéaire (\longleftrightarrow) ou orbital (\circlearrowright). Un mouvement linéaire permet des coupes plus lisses tandis qu'un mouvement orbital convient mieux à des coupes rapides.

NOTE : Pour éviter d'endommager l'outil, s'assurer que le moteur est complètement arrêté avant d'utiliser le sélecteur de mouvement orbital.

NOTE : Ne pas sélectionner le mouvement orbital lorsqu'une lame pour coupe de métal est utilisée.

AVERTISSEMENT :

La coupe accidentelle de câblage électrique à l'intérieur des cloisons peut mettre les parties métalliques de la scie sous tension. Lors de coupes dans des cloisons, ne pas toucher les parties métalliques de la scie, la tenir uniquement par les surfaces de prise isolées. Avant de couper dans une cloison, s'assurer de l'absence de câblage électrique, de tuyaux d'eau et autres obstacles dangereux.

UTILISATION

UTILISATION DE LA SCIE

Voir la figure 6, page 12.

- Assujettir la pièce à couper sur un établi ou une table, au moyen d'un étau ou de serre-joint.
- Marquer clairement la ligne de coupe.
- S'assurer que la lame se trouve à l'écart de tout objet étranger et que le cordon d'alimentation ne se trouve pas dans la ligne de coupe.
- Tenir la scie fermement, bien à l'écart du corps.
- Appuyer sur la gâchette pour mettre la lame en mouvement.
- Placer la sabot contre la pièce.
- Engager la lame dans la pièce.

NOTE : Ne pas forcer. Exercer une pression juste suffisante pour que la lame coupe. Laisser la lame effectuer le travail. Garder la base appuyée sur la pièce.

COUPE PLONGEANTE DU BOIS ET DES CLOISONS SÈCHES

Voir la figure 7, page 12.

- Assujettir la pièce à couper sur un établi ou une table, au moyen d'un étau ou de serre-joint.
- Marquer clairement la ligne de coupe.
- S'assurer que la lame se trouve à l'écart de tout objet étranger et que le cordon d'alimentation ne se trouve pas dans la ligne de coupe.
- Tenir la scie fermement, bien à l'écart du corps.
- Choisir un point de départ commode à l'intérieur de la surface à couper et placer la pointe de la lame sur ce point.
- Appuyer le devant de la sabot sur la pièce et le maintenir fermement en position pendant toute la coupe.
- Appuyer sur la gâchette et laisser la lame parvenir à pleine vitesse.

AVERTISSEMENT :

Veiller à ne pas laisser la lame toucher la pièce avant que le moteur soit parvenu à pleine vitesse. Le non respect de cette mise en garde peut causer la perte de contrôle de la scie et entraîner des blessures graves.

- Incliner la scie vers le bas, jusqu'à ce que la pointe de la lame entame la pièce.
- Laisser la lame pénétrer dans la pièce.
- Redresser la scie jusqu'à ce qu'elle soit perpendiculaire à la pièce.

AVERTISSEMENT :

Les lames longues de plus de 152,4 mm (6 po) peuvent osciller. Elles ne doivent donc pas être utilisées pour les coupes plongeantes. Le non respect de cette mise en garde peut entraîner des blessures graves.

AVERTISSEMENT :

La coupe accidentelle de câblage électriques peut mettre le support et la barre de lame de la scie sous tension. Lors de coupes dans des cloisons, ne pas toucher les parties métalliques de la scie, la tenir uniquement par les surfaces de prise isolées. Avant de couper dans une cloison, s'assurer de l'absence de câblage électrique, de tuyaux d'eau et autres obstacles dangereux sur la trajectoire de la scie.

COUPE DE MÉTAUX

Voir la figure 8, page 13.

La scie peut être utilisée pour couper des objets en métal tels que la tôle, les tuyaux, les tiges d'acier, l'aluminium, le laiton et le cuivre.

Pour la coupe de métaux, suivre les conseils ci-dessous :

- Veiller à ne pas tordre ou fléchir la lame.
- **Ne pas forcer** l'outil et utiliser une basse vitesse.
- Utiliser une huile de coupe pour le travail sur les métaux tendres et l'acier. Cette huile prolongera et facilitera la coupe et gardera la lame fraîche, tout en prolongeant sa vie utile.
- **Ne jamais** utiliser à proximité d'essence, car les étincelles normalement produites par le moteur pourraient enflammer les vapeurs.
- Assujettir solidement la pièce et couper près du point de serrage pour éviter la vibration du matériau. Lors de la coupe de tuyaux ou de cornières, serrer la pièce dans un étau et couper le plus près possible du point de serrage. Pour la coupe des tôles minces, placer le matériau en "sandwich" entre deux planches et utiliser des serre-joint pour empêcher les vibrations et la déchirure du matériau.
- Toujours garder la sabot fermement appuyée sur la pièce.

ENTRETIEN

AVERTISSEMENT :

Utiliser exclusivement des pièces RIDGID d'origine pour les réparations. L'usage de toute autre pièce pourrait créer une situation dangereuse ou endommager l'outil.

AVERTISSEMENT :

Toujours porter une protection oculaire certifiée conforme à la norme ANSI Z87.1. Si cette précaution n'est pas prise, des objets peuvent être projetés dans les yeux et causer des lésions graves.

ENTRETIEN GÉNÉRAL

Éviter d'utiliser des solvants pour le nettoyage des pièces en plastique. La plupart des matières plastiques peuvent être endommagées par divers types de solvants du commerce. Utiliser un chiffon propre pour éliminer la saleté, la poussière, l'huile, la graisse, etc.

AVERTISSEMENT :

Ne jamais laisser de liquides tels que le fluide de freins, l'essence, les produits à base de pétrole, les huiles pénétrantes, etc., entrer en contact avec les pièces en plastique. Les produits chimiques peuvent endommager, affaiblir ou détruire le plastique, ce qui peut entraîner des blessures graves.

Les outils électriques utilisés sur la fibre de verre, le placoplâtre, les mastics de bouchage ou le plâtre s'usent plus vite et sont susceptibles de défaillance prématurée, car les particules et les éclats de fibre de verre sont fortement abrasifs pour les roulements, balais, commutateurs, etc. Toutefois, si l'outil a été utilisé sur l'un de ces matériaux, il est extrêmement important de le nettoyer à l'air comprimé.

LUBRIFICATION

Tous les roulements de cet outil sont enduits d'une quantité suffisante de lubrifiant de haute qualité pour la durée de vie de l'outil, dans des conditions d'utilisation normales. Aucune autre lubrification n'est donc nécessaire.

REPLACEMENT DES BALAIS

Voir la figure 9, page 13.

La scie alternative est équipée de balais charbons accessibles de l'extérieur.

Pour remplacer :

- Débrancher la scie.
- Enlever les capuchons (2) de balais à l'aide d'un tournevis à lame plate.

NOTE : Le capuchon du balai inférieur est situé sous un couvercle. Pour retirer le couvercle en question, retirer la vis à pointe à six lobes située du côté gauche du couvercle.

- Retirer les balais (2).
- Regarder s'ils sont usés. Remplacer les deux balais lorsque la longueur du carbone est de 6,4 mm (1/4 po) ou moins.

NOTE : Ne jamais remplacer un seul balai.

- Installer les nouveaux balais. S'assurer que la courbure des balais correspond à celle du moteur et que les balais tournent librement dans leurs tubes.
- Réinstaller les balais en reprenant la procédure de démontage ci-dessus à l'inverse.
- Serrer fermement les capuchons de balais. **Ne pas trop serrer.**

NOTE: FIGURES (ILLUSTRATIONS) COMMENÇANT SUR 12 DE PAGE APRÈS LE SECTION ESPAGNOL.

GARANTIE

OUTILS ÉLECTRIQUES À MAIN ET D'ÉTABLI RIDGID®

GARANTIE LIMITÉE DE SERVICE DE 3 ANS

Une preuve d'achat doit être présentée pour toute demande de réparation sous garantie.

Cette garantie se limite aux outils électriques à main et d'établi RIDGID® achetés à partir du 1/2/04. Ce produit est fabriqué par One World Technologies, Inc., sous licence de marque de RIDGID, Inc. Toutes les correspondances relatives à la garantie doivent être adressées à One World Technologies, Inc. à l'intention de : Service technique des outils motorisés à main et d'établi RIDGID, au 1-866-539-1710 (appel gratuit).

POLITIQUE DE SATISFACTION ASSURÉE DE 90 JOURS

En cas de non satisfaction pour quelque raison que ce soit au cours des 90 jours suivant la date d'achat de cet outil à main ou d'établi RIDGID®, il pourra être retourné au point de vente pour échange ou remboursement intégral. Pour obtenir un outil en échange, l'équipement original devra être retourné, dans son emballage d'origine, accompagné d'une preuve d'achat. L'outil fourni en échange sera couvert par la garantie limitée pour le restant de la période de validité de 3 ANS.

CE QUI EST COUVERT PAR LA GARANTIE LIMITÉE DE TROIS ANS GARANTIE LIMITÉE DE SERVICE

Cette garantie sur les outils électriques à main et d'établi RIDGID® couvre tous les vices de matériaux et de fabrication, ainsi que les articles de consommation courants, tels que balais, mandrins, moteurs, commutateurs, cordons, engrenages et même les batteries d'outils sans fil de cet outil RIDGID®, pour une période de trois ans, à compter de la date d'achat. Les garanties d'autres produits RIDGID® peuvent être différentes.

RÉPARATIONS SOUS GARANTIE

Pour toute réparation sous garantie, cet outil RIDGID® devra être retourné, en port payé, à un centre de réparations RIDGID® pour outils motorisés à main et d'établi agréé. L'adresse du centre de réparations agréé le plus proche peut être obtenue en appelant le 1-866-539-1710 (appel gratuit), ou en accédant au site Internet RIDGID® www.ridgid.com. Le reçu de vente daté doit être présenté lors de toute demande de réparation sous garantie. Le centre de réparations agréé corrigera tout défaut de fabrication et réparera ou remplacera (à notre choix) gratuitement, toute pièce défectueuse.

CE QUI N'EST PAS COUVERT

La garantie ne couvre que l'acheteur au détail original et n'est pas transférable. Cette garantie ne couvre pas les problèmes de fonctionnement, défaillances ou autres défauts résultant d'un usage incorrect ou abusif, de la négligence, de la modification, de l'altération ou de réparations effectuées par quiconque autre qu'un centre de réparations d'outils motorisés à main et d'établi RIDGID®. Les articles de consommation fournis avec cet outil, tels que, mais sans y être limité, les lames, embouts et abrasifs, ne sont pas couverts.

RIDGID, INC., ET ONE WORLD TECHNOLOGIES, INC. NE FONT AUCUNE AUTRE GARANTIE, REPRÉSENTATION OU PROMESSE CONCERNANT LA QUALITÉ ET LES PERFORMANCES DE SES OUTILS MOTORISÉS, AUTRES QUE CELLES EXPRESSÉMENT INDIQUÉES DANS LE PRÉSENT DOCUMENT.

AUTRES LIMITATIONS

Sous réserve que les lois en vigueur le permettent, toutes les garanties implicites sont exclues, y compris les GARANTIES DE VALEUR MARCHANDE ou D'ADÉQUATION À UN USAGE PARTICULIER. Toutes les garanties implicites, y compris les garanties de valeur marchande ou d'adéquation à un usage particulier ne pouvant pas être exclues en raison des lois en vigueur, sont limitées à une durée de trois ans, à compter de la date d'achat. One World Technologies, Inc. et RIDGID, Inc. déclinent toute responsabilité pour les dommages directs ou indirects. Certains états et provinces ne permettant pas de limitation sur la durée des garanties implicites, et / ou l'exclusion ou la limitation des dommages directs ou indirects, les restrictions ci-dessus peuvent ne pas être applicables. Cette garantie donne au consommateur des droits spécifiques, et celui-ci peut bénéficier d'autres droits, qui varient selon les états ou provinces.

One World Technologies, Inc.

P.O. Box 35, Hwy. 8

Pickens, SC 29671, ÉTATS-UNIS

REGLAS DE SEGURIDAD GENERALES

ADVERTENCIA:

Lea todas las instrucciones. El incumplimiento de las instrucciones señaladas abajo puede causar descargas eléctricas, incendios y lesiones serias. El término “herramienta eléctrica” empleado en todos los avisos de advertencia enumerados abajo se refiere a las herramientas eléctricas de cordón (alámbricas) y de pilas (inalámbricas).

GUARDE ESTAS INSTRUCCIONES

ÁREA DE TRABAJO

- **Mantenga limpia y bien iluminada el área de trabajo.** Un área de trabajo mal despejada o mal iluminada propicia accidentes.
- **No utilice herramientas motorizadas en atmósferas explosivas, como las existentes alrededor de líquidos, gases y polvos inflamables.** Las herramientas eléctricas generan chispas que pueden encender el polvo y los vapores inflamables.
- **Mantenga alejados a los niños y circunstantes al maniobrar una herramienta eléctrica.** Toda distracción puede causar la pérdida del control de la herramienta.

SEGURIDAD ELÉCTRICA

- **Las clavijas de las herramientas eléctricas deben corresponder a las tomas de corriente donde se conectan. Nunca modifique la clavija de ninguna forma. No utilice ninguna clavija adaptadora con herramientas eléctricas dotadas de contacto a tierra.** Conectando las clavijas originales en las tomas de corriente donde corresponden se disminuye el riesgo de una descarga eléctrica.
- **Evite el contacto del cuerpo con las superficies de objetos conectados a tierra, como las tuberías, radiadores, estufas y refrigeradores.** Existe un mayor riesgo de descargas eléctricas si el cuerpo está haciendo tierra.
- **No exponga las herramientas eléctricas a la lluvia ni a condiciones de humedad.** La introducción de agua en una herramienta eléctrica aumenta el riesgo de descargas eléctricas.
- **No maltrate el cordón eléctrico. Nunca utilice el cordón para trasladar, desconectar o tirar de la herramienta eléctrica. Mantenga el cordón lejos del calor, aceite, bordes afilados y piezas móviles.** Los cordones eléctricos dañados o enredados aumentan el riesgo de descargas eléctricas.
- **Al utilizar una herramienta eléctrica a la intemperie, use un cordón de extensión apropiado para el exterior.** Usando un cordón adecuado para el exterior se disminuye el riesgo de descargas eléctricas.

SEGURIDAD PERSONAL

- **Permanezca alerta, preste atención a lo que esté haciendo y aplique el sentido común al utilizar herramientas eléctricas. No utilice la herramienta eléctrica si está cansado o se encuentra bajo los efectos de alguna droga, alcohol o medicamento.** Un momento de inatención al utilizar una herramienta eléctrica puede causar lesiones corporales serias.
- **Use equipo de seguridad. Siempre póngase protección ocular.** El uso de equipo de seguridad como mascarilla para el polvo, calzado de seguridad, casco y protección para los oídos en las circunstancias donde corresponda disminuye el riesgo de lesiones.
- **Evite un arranque accidental de la unidad. Asegúrese de que el interruptor esté en la posición de apagado antes de**

conectar la herramienta. Portar las herramientas eléctricas con el dedo en el interruptor, o conectarlas con el interruptor puesto, propicia accidentes.

- **Retire toda llave o herramienta de ajuste antes de encender la herramienta eléctrica.** Toda llave o herramienta de ajuste dejada en una pieza giratoria de la herramienta eléctrica puede causar lesiones.
- **No estire el cuerpo para alcanzar mayor distancia. Mantenga una postura firme y buen equilibrio en todo momento.** De esta manera se logra un mejor control de la herramienta eléctrica en situaciones inesperadas.
- **Vístase adecuadamente. No vista ropas holgadas ni joyas. Mantenga el cabello, la ropa y los guantes alejados de las piezas móviles.** Las ropas holgadas y las joyas, así como el cabello largo, pueden engancharse en las piezas móviles.
- **Si se suministran dispositivos para conectar mangueras de extracción y captación de polvo, asegúrese de que éstas estén bien conectadas y se usen correctamente.** La utilización de estos dispositivos puede disminuir los peligros relacionados con el polvo.

EMPLEO Y CUIDADO DE LA HERRAMIENTA ELÉCTRICA

- **No fuerce la herramienta eléctrica. Utilice la herramienta eléctrica adecuada para cada trabajo.** La herramienta eléctrica adecuada efectúa mejor y de manera más segura el trabajo, si además se maneja a la velocidad para la que está diseñada.
- **No utilice la herramienta si el interruptor no enciende ni se apaga.** Cualquier herramienta eléctrica que no pueda controlarse con el interruptor es peligrosa y debe repararse.
- **Desconecte la clavija del suministro de corriente o retire el paquete de pilas de la herramienta eléctrica, según sea el caso, antes de efectuarle cualquier ajuste, cambiarle accesorios o guardarla.** Tales medidas preventivas de seguridad reducen el riesgo de poner en marcha accidentalmente la herramienta eléctrica.
- **Guarde las herramientas eléctricas desocupadas fuera del alcance de los niños y no permita que las utilicen personas no familiarizadas con las mismas o con estas instrucciones.** Las herramientas son peligrosas en manos de personas no capacitadas en el uso de las mismas.
- **Preste mantenimiento a las herramientas eléctricas. Revise para ver si hay desalineación o atoramiento de piezas móviles, ruptura de piezas o toda otra condición que pueda afectar el funcionamiento de la herramienta eléctrica. Si está dañada la herramienta eléctrica, permita que la reparen antes de usarla.** Numerosos accidentes son causados por herramientas eléctricas mal cuidadas.
- **Mantenga las herramientas de corte afiladas y limpias.** Las herramientas de corte bien cuidadas y con bordes bien afilados, tienen menos probabilidad de atascarse en la pieza de trabajo y son más fáciles de controlar.
- **Utilice la herramienta eléctrica, los accesorios y brocas, hojas de corte, ruedas de esmeril, etc. de conformidad con estas instrucciones, y de la forma apropiada para cada una de dichas herramientas, tomando en cuenta las condiciones de trabajo y la tarea por realizar.** Si se utiliza la herramienta eléctrica para operaciones diferentes de las indicadas podría originar una situación peligrosa.

SERVICIO

- **Permita que un técnico de reparación calificado preste servicio a la herramienta eléctrica, y sólo con piezas de repuesto idénticas.** De esta manera se mantiene la seguridad de la herramienta eléctrica.

REGLAS DE SEGURIDAD GENERALES

ADVERTENCIA:

Para reducir el riesgo de lesiones, el usuario debe leer el manual de instrucciones.

- Al dar servicio a una herramienta eléctrica, sólo utilice piezas de repuesto idénticas. Siga las instrucciones señaladas en la sección Mantenimiento de este manual. El empleo de piezas no autorizadas o el incumplimiento de las instrucciones de mantenimiento puede significar un riesgo de descarga eléctrica o de lesiones.

REGLAS DE SEGURIDAD ESPECÍFICAS

- Sujete la herramienta por las superficies aisladas de sujeción al efectuar una operación en la cual la herramienta de corte pueda entrar en contacto con cables ocultos o con un cordón eléctrico. Todo contacto de una herramienta de corte con un cable cargado carga las piezas metálicas expuestas de la herramienta y da una descarga eléctrica al operador.
- Utilice prensas o cualquier otro medio práctico de asegurar y sostener la pieza de trabajo en una plataforma segura. Sostener la pieza con la mano o contra el cuerpo lo hace inestable y puede causar una pérdida de control.
- Familiarícese con su herramienta eléctrica. Lea cuidadosamente el manual del operador. Aprenda sus usos y limitaciones, así como los posibles peligros específicos de esta herramienta. Con el cumplimiento de esta regla se reduce el riesgo de una descarga eléctrica, incendio o lesión seria.
- Siempre póngase protección ocular con la marca de cumplimiento de la norma ANSI Z87.1. Con el cumplimiento de esta regla se reduce el riesgo de lesiones corporales serias.
- Protéjase los pulmones. Use una careta o mascarilla contra el polvo si la operación genera mucho polvo. Con el cumplimiento de esta regla se reduce el riesgo de lesiones serias.
- Protéjase los oídos. Durante períodos prolongados de utilización del producto, póngase protecteur d'oreille. Con el cumplimiento de esta regla se reduce el riesgo de lesiones corporales serias.
- Inspeccione periódicamente los cordones eléctricos de las herramientas, y si están dañados, permita que los reparen en el centro de servicio autorizado más cercano de la localidad. Tenga presente constantemente la ubicación del cordón eléctrico. El cumplimiento de esta norma reduce el riesgo de una descarga eléctrica o incendio.
- Revise para ver si hay piezas dañadas. Antes de seguir utilizando la herramienta, es necesario inspeccionar cuidadosamente toda protección o pieza dañada para determinar si funcionará correctamente y desempeñará la función a la que está destinada. Verifique la alineación de las partes móviles, que no haya atoramiento de las mismas, que no haya piezas rotas, el montaje de las piezas y cualquier otra condición que pudiera afectar su funcionamiento. Toda protección o pieza que esté dañada debe repararse apropiadamente o reemplazarse en un centro de servicio autorizado. Con el cumplimiento de esta regla se reduce el riesgo de una descarga eléctrica, incendio o lesión grave.
- Asegúrese de que esté en buen estado el cordón de extensión. Al utilizar un cordón de extensión, utilice uno del suficiente calibre para soportar la corriente que consume el producto. Se recomienda que los conductores sean de calibre 14 (A.W.G.) por lo menos para un cordón de extensión de 15 metros (50 pies) de largo o menos. No se recomienda utilizar un cordón con más de 30 metros (100 pies) de largo. Si tiene dudas, utilice un cordón del calibre más grueso siguiente. Cuanto menor es el número de calibre, mayor es el grueso del cordón. Un cordón de un calibre insuficiente causa una caída en el voltaje de línea, y produce recalentamiento y pérdida de potencia.
- Inspeccione la madera y elimine todos los clavos presentes en la misma antes de usar esta herramienta. Con el cumplimiento de esta regla se reduce el riesgo de lesiones serias.
- Si está dañado el cordón de corriente, debe ser reemplazado únicamente por el fabricante o en un centro de servicio autorizado para evitar riesgos.
- No vista ropas holgadas ni joyas. Recójase el cabello si está largo. Las ropas holgadas y las joyas, así como el cabello largo, pueden resultar atraídas hacia el interior de las aberturas de ventilación.
- No utilice la unidad al estar en una escalera o en un soporte inestable. Una postura estable sobre una superficie sólida permite un mejor control de la herramienta en situaciones inesperadas.
- Guarde estas instrucciones. Consúltelas con frecuencia y empléelas para instruir a otras personas que puedan utilizar esta herramienta. Si presta a alguien esta herramienta, facilítele también las instrucciones.

CALIFORNIA - PROPUESTA DE LEY NÚM. 65

ADVERTENCIA:




Este producto puede contener sustancias químicas (por ejemplo, plomo) reconocidas por el estado de California como causantes de cáncer, defectos congénitos y otras afecciones del aparato reproductor. **Lávese las manos después de utilizar el aparato.** Algunos ejemplos de estas sustancias químicas son:

- plomo de las pinturas a base de plomo,
- silicio cristalino de los ladrillos, del cemento y de otros productos de albañilería, y
- arsénico y cromo de la madera químicamente tratada.







El riesgo de la exposición a estos compuestos varía, según la frecuencia con que se realice este tipo de trabajo. Para reducir la exposición personal a este tipo de compuestos: trabaje en áreas bien ventiladas, y con equipo de seguridad aprobado, tal como las caretas para el polvo especialmente diseñadas para filtrar partículas microscópicas.

SÍMBOLOS

Las siguientes palabras de señalización y sus significados tienen el objeto de explicar los niveles de riesgo relacionados con este producto.

SÍMBOLO	SEÑAL	SIGNIFICADO
	PELIGRO:	Indica una situación peligrosa inminente, la cual, si no se evita, causará la muerte o lesiones serias.
	ADVERTENCIA:	Indica una situación peligrosa posible, la cual, si no se evita, podría causar la muerte o lesiones serias.
	PRECAUCIÓN:	Indica una situación peligrosa posible, la cual, si no se evita, podría causar lesiones menores o leves.
	PRECAUCIÓN:	(Sin el símbolo de alerta de seguridad.) Indica una situación que puede producir daños materiales.

Es posible que se empleen en este producto algunos de los siguientes símbolos. Le suplicamos estudiarlos y aprender su significado. Una correcta interpretación de estos símbolos le permitirá utilizar mejor y de manera más segura el producto.

SÍMBOLO	NOMBRE	DENOMINACIÓN/EXPLICACIÓN
	Alerta de seguridad	Indica un peligro posible de lesiones personales.
V	Volts	Voltaje
A	Amperios	Corriente
Hz	Hertz	Frecuencia (ciclos por segundo)
min	Minutos	Tiempo
~	Corriente alterna	Tipo de corriente
n_0	Velocidad en vacío	Velocidad de rotación, en vacío
	Herramienta Clase II	Fabricación con doble aislamiento
.../min	Por minuto	Revoluciones, carreras, velocidad superficial, órbitas, etc., por minuto
	Alerta de condiciones húmedas	No exponga la unidad a la lluvia ni la use en lugares húmedos.
	Lea el manual del operador	Para reducir el riesgo de lesiones, el usuario debe leer y comprender el manual del operador antes de usar este producto.
	Protección ocular	Siempre póngase protección ocular con protección lateral con la marca de cumplimiento de la norma ANSI Z87.1.
	Símbolo de no acercar las manos	Failure to keep your hands away from the blade will result in serious personal injury.

ASPECTOS ELÉCTRICOS

DOBLE AISLAMIENTO

El doble aislamiento es una característica de seguridad de las herramientas eléctricas, la cual elimina la necesidad de usar el típico cordón eléctrico de tres conductores con conexión a tierra. Todas las partes metálicas expuestas están aisladas de los componentes metálicos internos del motor por medio de aislamiento de protección. No es necesario conectar a tierra las herramientas con doble aislamiento.

ADVERTENCIA:

El sistema de doble aislamiento está destinado a proteger al usuario contra las descargas eléctricas resultantes de la ruptura del aislamiento interno de la herramienta. Observe todas las precauciones de seguridad para evitar descargas eléctricas.

NOTA: El mantenimiento de una herramienta con doble aislamiento requiere sumo cuidado y conocimiento del sistema, y únicamente deben realizarlo técnicos de servicio calificados. Para el servicio de la herramienta, le sugerimos llevarla al centro de servicio autorizado más cercano para toda reparación. Siempre utilice piezas de repuesto de la fábrica original al dar servicio a la unidad.

CONEXIÓN ELÉCTRICA

Esta herramienta dispone de un motor eléctrico fabricado con precisión. Debe conectarse únicamente a una línea de voltaje de **120 Volts, de corr. alt. solamente (corriente normal para uso doméstico), 60 Hertz**. No utilice esta herramienta con corriente continua (c.c.). Una caída considerable de voltaje causa una pérdida de potencia y el recalentamiento del motor. Si la herramienta no funciona al conectarla en una toma de corriente, vuelva a verificar el suministro de voltaje.

CORDONES DE EXTENSIÓN

Al utilizar una herramienta eléctrica a una distancia considerable de la fuente de voltaje, asegúrese de utilizar un cordón de extensión con la suficiente capacidad para soportar la corriente de consumo de la herramienta. Un cordón de un calibre insuficiente causa una caída en el voltaje de línea, la cual a su vez produce recalentamiento y pérdida de potencia. Báse en la tabla suministrada para determinar el grueso mínimo requerido del cordón de extensión. Solamente deben utilizarse cordones con forro redondo registrados en Underwriter's Laboratories (UL).

Al trabajar a la intemperie con una herramienta, utilice un cordón de extensión fabricado para uso en el exterior. Este tipo de cordón lleva las letras "W-A" o "W" en el forro.

Antes de utilizar un cordón de extensión, inspecciónelo para ver si tiene conductores flojos o expuestos y aislamiento cortado o gastado.

**Amperaje (aparece en la placa de datos de la herramienta)

0-2,0 2,1-3,4 3,5-5,0 5,1-7,0 7,1-12,0 12,1-16,0

Longitud del cordón	Calibre conductores (A.W.G.)					
	16	16	16	14	14	12
25'	16	16	16	16	14	14
50'	16	16	16	14	14	12
100'	16	16	14	12	10	—

**Se usa en los circuitos de calibre 12, 20 amp.

NOTA: AWG = American Wire Gauge

ADVERTENCIA:

Mantenga el cordón de extensión fuera del área de trabajo. Al trabajar con una herramienta eléctrica, coloque el cordón de tal manera que no pueda enredarse en la madera, herramientas ni en otras obstrucciones. La inobservancia de esta advertencia puede causar lesiones serias.

ADVERTENCIA:

Inspeccione los cordones de extensión cada vez antes de usarlos. Si están dañados reemplácelos de inmediato. Nunca utilice la herramienta con un cordón dañado, ya que si toca la parte dañada puede producirse una descarga eléctrica, y las consecuentes lesiones serias.

CARACTERÍSTICAS

ESPECIFICACIONES DEL PRODUCTO

Interruptor.....Velocidad variable
Longitud de la carrera 19,1 mm (3/4 pulg.)
Velocidad en vacío De 0 a 3 500 r/min. (RPM)

FAMILIARÍCESE CON LA SIERRA ALTERNATIVA

Ve la figura 1, página 12.

Para usar este producto con la debida seguridad se debe comprender la información indicada en la herramienta misma y en este manual, y se debe comprender también el trabajo que intenta realizar. Antes de usar este producto, familiarícese con todas las características de funcionamiento y normas de seguridad del mismo.

ESCOBILLAS ACCESIBLES EXTERNAMENTE

Las escobillas accesibles externamente prolongan la vida de servicio de la herramienta.

SELECTOR DE MOVIMIENTO EN ÓRBITA

Use el selector de movimiento en órbita para seleccionar una carrera lineal o un movimiento de corte en órbita. Para realizar cortes limpios, se recomienda la carrera lineal, mientras que para realizar un corte rápido, se recomienda el movimiento en órbita.

ARMADO

DESEMPAQUETADO

Embarcamos este producto completamente armado.

- Extraiga cuidadosamente de la caja la producto y los accesorios. Asegúrese de que estén presentes todos los artículos enumerados en la lista de empaquetado.

ADVERTENCIA:

No use este producto si no está totalmente ensamblado o si alguna pieza falta o está dañada. Si utiliza un producto que no se encuentra ensamblado de forma correcta y completa, puede sufrir lesiones graves.

- Inspeccione cuidadosamente la producto para asegurarse de que no haya sufrido ninguna rotura o daño durante el transporte.
- No deseche el material de empaquetado sin haber inspeccionado cuidadosamente la producto y haberla utilizado satisfactoriamente.
- Si hay piezas dañadas o faltantes, le suplicamos llamar al 1-866-539-1710, donde le brindaremos asistencia.

LISTA DE EMPAQUETADO

Sierra alternativa
Hojas de sierra (2)
Bolsa de herramientas
Manual del operador

Corriente de entrada 120 V, sólo corr. alt., 60 Hz, 9 A
Peso neto 3,2 kg (7 lb.)

CONJUNTO DE LA ZAPATA

El conjunto de la zapata de la sierra alternativa pivotea en ambas direcciones, hacia arriba y hacia abajo. La zapata es ajustable, por lo cual permite utilizar los dientes en diferentes posiciones de la hoja.

MORDAZA PARA HOJA SIN HERRAMIENTA

La mordaza de la hoja de la sierra no requiere ninguna herramienta (llave de la hoja) al instalarse o desmontarse la hoja.

GATILLO DEL INTERRUPTOR DE VELOCIDAD VARIABLE

Esta herramienta dispone de un interruptor de velocidad variable, el cual produce mayor velocidad cuanto mayor presión se aplica en el gatillo.

ADVERTENCIA:

Si falta o está dañada alguna pieza, no utilice este producto sin haber reemplazado la pieza. Usar este producto con falta o está dañada alguna pieza podría tener como resultado herida personal grave.

ADVERTENCIA:

No intente modificar este producto ni hacer accesorios no recomendados para la misma. Cualquier alteración o modificación constituye maltrato el cual puede causar una condición peligrosa, y como consecuencia posibles lesiones corporales serias.

ADVERTENCIA:

No conecte la unidad al suministro de corriente sin haber terminado de armarla. De lo contrario la unidad puede ponerse en marcha accidentalmente, con el consiguiente riesgo de lesiones corporales serias.

FUNCIONAMIENTO

ADVERTENCIA:

No permita que su familiarización con este producto le vuelva descuidado. Tenga presente que un descuido de un instante es suficiente para infligir una lesión grave.

ADVERTENCIA:

Siempre póngase protección ocular con la marca de cumplimiento de la norma ANSI Z87.1. Si no cumple esta advertencia, los objetos que salen despedidos pueden producirle lesiones serias en los ojos.

ADVERTENCIA:

No utilice ningún aditamento o accesorio no recomendado por el fabricante de esta herramienta. El empleo de aditamentos o accesorios no recomendados podría causar lesiones serias.

APLICACIONES

Este producto puede emplearse para los fines siguientes:

- Corte de todos tipos de productos de madera (tablas, madera contrachapada, paneles, madera aglomerada y madera dura)
- Corte de masonite y plásticos
- Corte de paneles de yeso
- Corte de metales como lámina de acero, tubos, barras de acero, aluminio, bronce y cobre

SELECCIÓN DE LAS HOJAS

Es importante seleccionar una hoja de tipo correcto con el fin de lograr un desempeño óptimo de la sierra. Debe seleccionarse la hoja según el uso y el material deseados. Si se selecciona una hoja adecuada se logra un corte más limpio y rápido, así como una vida de servicio más prolongada de la hoja de corte.

Las hojas con menos dientes, o sea 10 dientes por pulgada (DPP), se usan normalmente para cortar madera, mientras que aquéllas con más dientes son mejores para cortar metal o plástico. Para plásticos y metales suaves recomendamos las de 14 DPP, y para metales duros, las de 18 DPP.

MONTAJE Y DESMONTAJE HOJA

Vea la figura 2, página 12.

- Desconecte la sierra.
- Gire la mordaza de la hoja hacia la izquierda y sosténgala para abrir.
- Inserte la hoja de la sierra hasta que esté completamente asentada.

NOTA: La hoja puede instalarse ya sea con los dientes orientados hacia arriba o hacia abajo.

- Suelte la mordaza para asegurar la hoja.
- Para retirar la hoja, gire la mordaza de la hoja hacia la izquierda.

CAMBIO DE POSICIONES DEL CONJUNTO DE LA ZAPATA

Vea la figura 3, página 12.

La zapata de la sierra alternativa oscila en ambas direcciones para facilitar el uso.

Para cambiar la posición del conjunto de la zapata:

- Desconecte la sierra.
- Desasegure la palanca de liberación de la zapata.
- Reacomode el conjunto de la zapata.
- Asegure la barra de ajuste de la zapata.

APAGADO Y ENCENDIDO DE LA SIERRA

Vea la figura 4, página 12.

- **Para encender la sierra:** Oprima el gatillo del interruptor.
- **Para apagar la sierra:** Suelte el gatillo del interruptor.

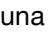

VELOCIDAD VARIABLE

Vea la figura 4, página 12.

Esta herramienta dispone de un interruptor de velocidad variable, el cual produce mayor velocidad cuanto mayor presión se aplica en el gatillo. La velocidad se controla mediante la presión aplicada en el gatillo del interruptor.

SELECTOR DE MOVIMIENTO EN ÓRBITA

Vea la figura 5, página 12.

Use el selector de movimiento en órbita para seleccionar una carrera lineal () o un movimiento de corte en órbita (). Para realizar cortes limpios, se recomienda la carrera lineal, mientras que para realizar un corte rápido, se recomienda el movimiento en órbita.

NOTA: Para evitar dañar la herramienta, siempre deje que el motor se detenga completamente antes de usar el selector de movimiento en órbita.

NOTA: No use la posición de movimiento en órbita cuando utilice una hoja para cortar metal.

ADVERTENCIA:

Si se cortan los cables eléctricos contenidos en las paredes pueden cargarse eléctricamente las superficies metálicas de la sierra. No toque partes metálicas al cortar una pared; sólo sujete las superficies de sujeción aisladas de la herramienta. Al cortar una pared, asegúrese de que no haya cables eléctricos ocultos, tubos hidráulicos y peligros mecánicos en el trayecto de la hoja de corte.

FUNCIONAMIENTO

UTILIZACIÓN DE LA SIERRA

Vea la figura 6, página 12.

- Asegure la pieza de trabajo en un banco o mesa de trabajo con una prensa fija o varias de mano.
- Marque claramente la línea de corte.
- Asegúrese de que la hoja de la sierra esté lejos de todo objeto extraño y de que el cordón de corriente y el de extensión estén fuera de la trayectoria de la hoja.
- Sostenga firmemente la sierra al frente y bien alejada de usted.
- Oprima el gatillo del interruptor para iniciar el movimiento de corte.
- Ponga el conjunto de la zapata contra la pieza de trabajo.
- Avance la hoja y comience a cortar la pieza de trabajo.

NOTA: No fuerce la herramienta. Aplique sólo la presión suficiente para mantener la sierra cortando. Permita que la hoja y la sierra realicen el trabajo. Mantenga la presión de la base contra la pieza de trabajo.

CORTE DE PENETRACIÓN EN MADERA Y PANELES PARA PAREDES

Vea la figura 7, página 12.

- Asegure la pieza de trabajo en un banco o mesa de trabajo con una prensa fija o varias de mano.
- Marque claramente la línea de corte.
- Asegúrese de que la hoja de la sierra esté lejos de todo objeto extraño y de que el cordón de corriente y el de extensión estén fuera de la trayectoria de la hoja.
- Sostenga firmemente la sierra al frente y bien alejada de usted.
- Escoja un punto inicial conveniente dentro del área de corte y coloque la punta de la hoja encima de ese punto.
- Deje descansar el borde frontal del conjunto de la zapata sobre la pieza de trabajo y mantenga la base firmemente en su lugar durante el corte.
- Oprima el gatillo del interruptor y permita que la hoja de la sierra alcance plena velocidad.

ADVERTENCIA:

Asegúrese de no tocar la pieza de trabajo con la hoja sino hasta que la sierra haya alcanzado su máxima velocidad. La inobservancia de esta advertencia puede causar la pérdida de control de la sierra, y por consiguiente lesiones serias.

-
- Incline hacia abajo la sierra hasta que la punta de la hoja comience a cortar la pieza de trabajo.
 - Permita que la sierra penetre en la pieza de trabajo.
 - Incline la sierra hasta que la hoja quede perpendicular a la pieza de trabajo.

ADVERTENCIA:

Las hojas de una longitud superior a 152,4 mm (6 pulg.) pueden latigear, por lo cual debe evitarse utilizarlas para corte por penetración. La inobservancia de esta advertencia puede causar lesiones serias.

ADVERTENCIA:

Si se cortan cables eléctricos pueden cargarse eléctricamente la hoja, la mordaza de la hoja y el conjunto de la barra de la sierra. No toque piezas metálicas de la herramienta al cortar una pared; sólo sujete las superficies de sujeción aisladas de la herramienta. Al cortar una pared, asegúrese de que no haya cables eléctricos ocultos, tubos hidráulicos y peligros mecánicos en el trayecto de la hoja de corte.

CORTE DE METALES

Vea la figura 8, página 13.

Con la sierra pueden cortarse metales como lámina de acero, tubos, barras de acero, aluminio, bronce y cobre.

Al cortar metal observe las siguientes sugerencias:

- Tenga cuidado de no torcer o doblar la hoja de la sierra.
- **No fuerce** la herramienta y póngala en una velocidad baja.
- Utilice aceite para cortar al cortar metales suaves y acero. El aceite para cortar mantiene frías las hojas, aumenta la eficacia del corte y prolonga la vida de servicio de las hojas.
- **Nunca** utilice gasolina, ya que el chispeo normal del motor puede inflamar las emanaciones de la misma.
- Sujete firmemente la pieza de trabajo con prensas, y corte cerca del punto de sujeción para eliminar toda vibración posible de la pieza. Al cortar tubo conduit, así como tubo o ángulo de hierro, sujete la pieza de trabajo en una prensa de banco si es posible y corte cerca de la prensa. Para cortar material en forma de lámina delgada, “emparédelo” entre dos paneles de madera prensada o contrachapada y sujete las capas con prensas para eliminar la vibración y el desgarramiento del material.
- Siempre mantenga una presión firme de la conjunto de la zapata contra la pieza de trabajo.

MANTENIMIENTO

ADVERTENCIA:

Para el servicio de la unidad sólo utilice piezas de repuesto RIDGID® idénticas. El empleo de piezas diferentes puede causar un peligro o dañar el producto.

ADVERTENCIA:

Siempre póngase protección ocular con la marca de cumplimiento de la norma ANSI Z87.1. Si no cumple esta advertencia, los objetos que salen despedidos pueden producirle lesiones serias en los ojos.

MANTENIMIENTO GENERAL

Evite el empleo de solventes al limpiar piezas de plástico. La mayoría de los plásticos son susceptibles a diferentes tipos de solventes comerciales y pueden resultar dañados. Utilice paños limpios para eliminar la suciedad, el polvo, el aceite, la grasa, etc.

ADVERTENCIA:

No permita en ningún momento que fluidos para frenos, gasolina, productos a base de petróleo, aceites penetrantes, etc., lleguen a tocar las piezas de plástico. Las sustancias químicas pueden dañar, debilitar o destruir el plástico, lo cual a su vez puede producir lesiones corporales serias.

Las herramientas eléctricas que se utilizan en materiales de fibra de vidrio, paneles de yeso para paredes, compuestos de resanar o yeso, están sujetas a desgaste acelerado y posible fallo prematuro porque las partículas y limaduras de fibra de vidrio son altamente abrasivas para los cojinetes, escobillas, conmutadores, etc. Por consiguiente, no recomendamos el uso de esta herramienta durante períodos prolongados de trabajo en estos tipos de materiales. Sin embargo, si usted trabaja con cualquiera de estos materiales, es sumamente importante limpiar la herramienta con aire comprimido.

LUBRICACIÓN

Todos los cojinetes de esta herramienta están lubricados con suficiente cantidad de aceite de alta calidad para toda la vida útil de la unidad en condiciones normales de funcionamiento. Por lo tanto, no se necesita lubricación adicional.

REEMPLAZO DE LAS ESCOBILLAS

Vea la figura 9, página 13.

La sierra alternativa está equipada con escobillos de acceso externo.

Para reemplazarlas:

- Desconecte la sierra.
- Retire las (2) tapas de las escobillas utilizando un destornillador de punta plana.

NOTA: La tapa de la escobilla inferior se encuentra debajo de la cubierta. Para retirar la cubierta, extraiga el tornillo de torx que se encuentra en la parte izquierda de esta pieza.

- Retire los conjuntos de las dos escobillas.
- Efectúe una inspección para ver si hay desgaste.
- Reemplace ambos conjuntos de las escobillas cuando uno u otro tenga menos de 6,4 mm (1/4 pulg.) de carbón restante.

NOTA: No reemplace un solo lado sin reemplazar el otro.

- Vuelva a armar la unidad empleando conjuntos de escobillas nuevos. Asegúrese de que la curvatura de la escobillas corresponda a la del motor y de que las escobillas se muevan libremente en los tubos de las mismas.
- Vuelva a armar la unidad; para ello, siga en sentido inverso los pasos enumerados arriba.
- Apriete firmemente la tapas de las dos escobillas. **No aplique** un apriete excesivo.

GARANTÍA

HERRAMIENTAS ELÉCTRICAS DE MANO Y ESTACIONARIAS RIDGID®

GARANTÍA DE SERVICIO LIMITADA DE TRES AÑOS

Debe presentarse prueba de la compra al solicitar servicio al amparo de la garantía.

Se limita a las herramientas de mano y estacionarias RIDGID® adquiridas a partir del 1.º/feb./04. Este producto está manufacturado por One World Technologies, Inc. La licencia de uso de la marca comercial es otorgada por RIDGID, Inc. Toda comunicación en relación con la garantía debe dirigirse a One World Technologies, Inc., a la atención de: Servicio Técnico de Herramientas Eléctricas de Mano y Estacionarias RIDGID, al (línea gratuita) 1-866-539-1710.

POLÍTICA DE GARANTÍA DE SATISFACCIÓN DE 90 DÍAS

Durante los primeros 90 días a partir de la fecha de compra, si no está satisfecho con el desempeño de esta herramienta de mano o estacionaria RIDGID® por cualquier razón, puede devolverla al establecimiento donde la adquirió, donde se le proporcionará un reembolso total o un intercambio. Para recibir una herramienta de reemplazo, debe presentar documentación de prueba de la compra, y devolver el equipo original empaquetado con el producto original. La herramienta de reemplazo queda cubierta por la garantía limitada por el resto del período de garantía de servicio de 3 AÑOS.

LO QUE ESTÁ CUBIERTO EN LA GARANTÍA DE SERVICIO LIMITADA DE TRES AÑOS GARANTÍA DE SERVICIO LIMITADA

Esta garantía de las herramientas de mano y estacionarias RIDGID® cubre todos los defectos en materiales y mano de obra, así como piezas desgastables como escobillas, portabrocas, motores, interruptores, cordones eléctricos, engranajes e incluso las pilas inalámbricas de esta herramienta RIDGID® por tres años a partir de la fecha de compra de la herramienta. Las garantías de otros productos RIDGID® pueden ser diferentes.

FORMA DE OBTENER SERVICIO

Para obtener servicio para esta herramienta RIDGID®, debe devolverla, ya sea con el flete pagado por anticipado, o llevarla a un centro de servicio autorizado para herramientas eléctricas de mano y estacionarias de la marca RIDGID®. Puede obtener información sobre la ubicación del centro de servicio autorizado más cercano llamando al 1-866-539-1710 (línea gratuita) o dirigiéndose al sitio electrónico de RIDGID® en Internet, en www.ridgid.com. Al solicitar servicio al amparo de la garantía, debe presentar el recibo de venta fechado original. El centro de servicio autorizado reparará toda mano de obra deficiente del producto, y reparará o reemplazará cualquier pieza cubierta en la garantía, a nuestra sola discreción, sin ningún cargo al consumidor.

LO QUE NO ESTÁ CUBIERTO

Esta garantía se ofrece exclusivamente al comprador original al menudeo y no puede transferirse. Esta garantía sólo cubre defectos que surjan en el uso normal de la herramienta y no cubre ningún malfuncionamiento, falla o defecto producido por el uso indebido, maltrato, negligencia, alteración, modificación o reparación efectuada por terceros diferentes de los centros de servicio autorizados de herramientas eléctricas de mano y estacionarias RIDGID®. No están cubiertos los accesorios suministrados con la herramienta, como las hojas, brocas, papel de lija, etc.

RIDGID, INC. Y ONE WORLD TECHNOLOGIES, INC. NO OFRECEN NINGUNA GARANTÍA, DECLARACIÓN O PROMESA EN RELACIÓN CON LA CALIDAD O EL DESEMPEÑO DE SUS HERRAMIENTAS ELÉCTRICAS MÁS QUE LAS SEÑALADAS ESPECÍFICAMENTE EN ESTA GARANTÍA.

LIMITACIONES ADICIONALES

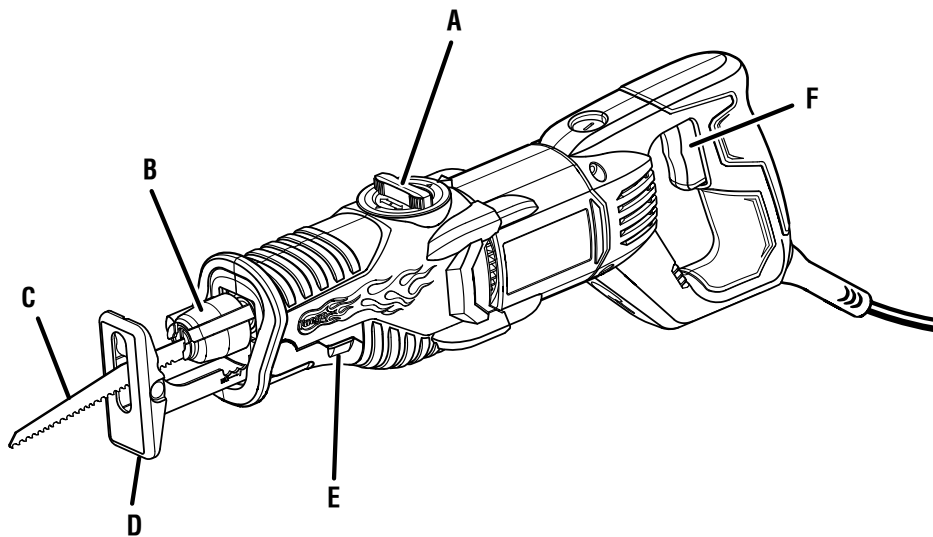
Hasta donde lo permiten las leyes relevantes, se desconoce toda garantía implícita, incluidas las garantías de COMERCIABILIDAD o IDONEIDAD PARA UN USO EN PARTICULAR. Toda garantía implícita, incluidas las garantías de comerciabilidad o idoneidad para un uso en particular, que no pueda desconocerse según las leyes estatales, está limitada a tres años a partir de la fecha de compra. One World Technologies, Inc. y RIDGID, Inc. no son responsables de daños directos, indirectos, incidentales o consecuentes. Algunos estados no permiten limitaciones en cuanto al período de vigencia de una garantía implícita y/o no permiten exclusiones o limitaciones de daños incidentales o consecuentes, por lo tanto es posible que esta limitación no se aplique en el caso de usted. Esta garantía le confiere derechos legales específicos, y es posible que usted goce de otros derechos, los cuales pueden variar de estado a estado.

One World Technologies, Inc.

P.O. Box 35, Hwy. 8

Pickens, SC 29671, USA

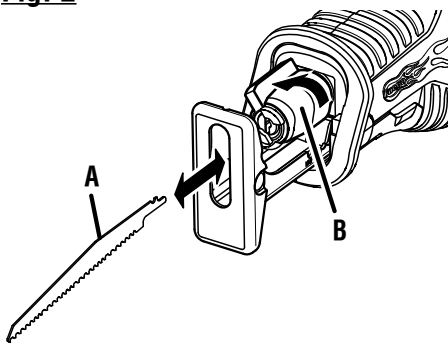
Fig. 1



- A - Orbital action selector (sélecteur de mouvement orbital, selector de movimiento en órbita)
- B - Toolless blade clamp (verrouillage de lame sans outil, mordaza para hoja sin herramienta)
- C - Saw blade (lame de scie, hoja de la sierra)

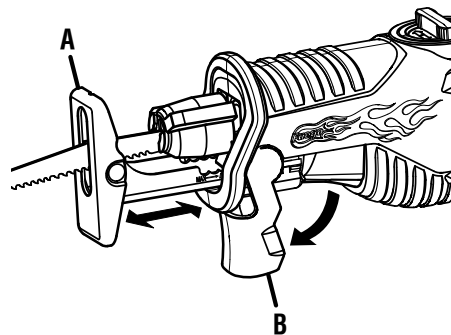
- D - Shoe assembly (sabot, conjunto de la zapata)
- E - Shoe release lever (levier de libération du sabot, palanca de liberación de la zapata)
- F - Variable speed switch trigger (gâchette de vitesse variable, gatillo del interruptor de velocidad variable)

Fig. 2



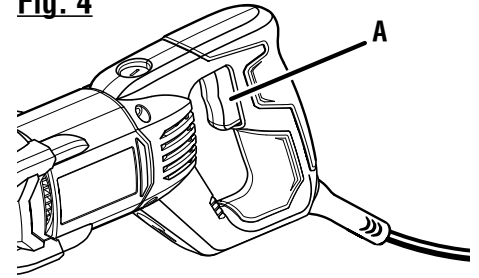
- A - Blade (lame, hoja)
- B - Blade clamp (verrouillage de lame, mordaza para hoja)

Fig. 3



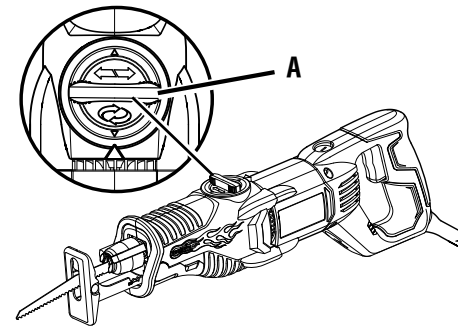
- A - Shoe assembly (sabot, conjunto de la zapata)
- B - Shoe release lever (levier de libération du sabot, palanca de liberación de la zapata)

Fig. 4



- A - Variable speed switch trigger (gâchette de vitesse variable, gatillo del interruptor de velocidad variable)

Fig. 5



- A - Orbital action selector (sélecteur de mouvement orbital, selector de movimiento en órbita)

Fig. 6

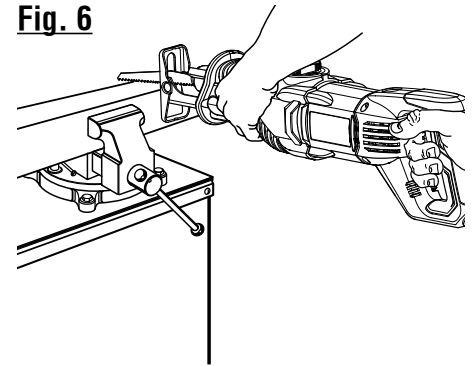


Fig. 7

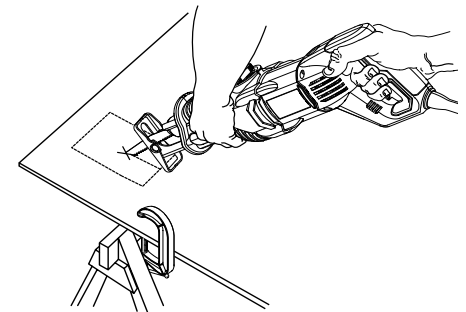


Fig. 8

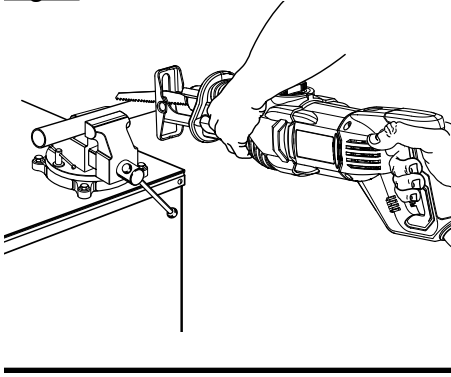
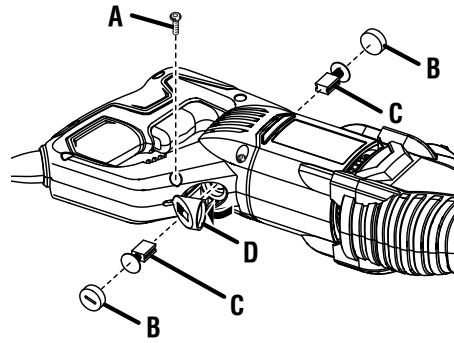


Fig. 9



- A - Torx screw (vis de torx, tornillo de torx)
- B - Brush cap (bouchon de porte-charbon, tapa de la escobilla)
- C - Brush assembly (ensemble de charbon, conjunto de escobilla)
- D - Cover (couvercle, cubierta)

OPERATOR'S MANUAL

MANUEL D'UTILISATION

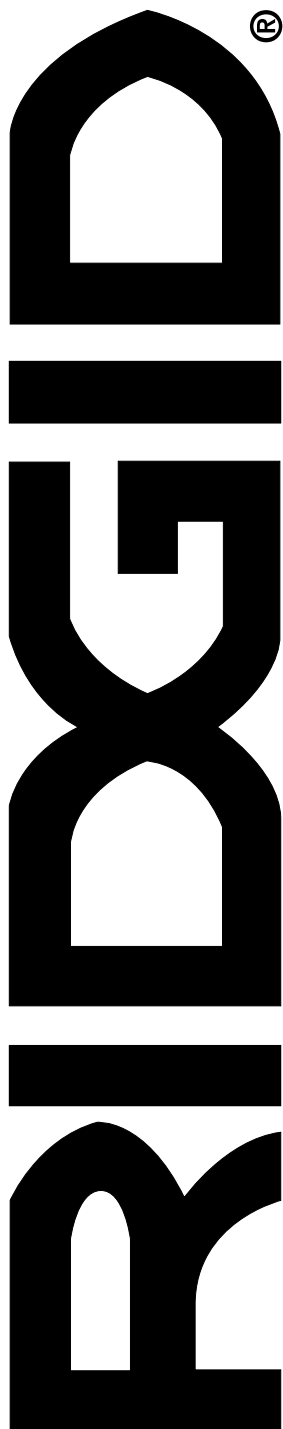
MANUAL DEL OPERADOR

RECIPROCATING SAW VARIABLE SPEED

SCIE ALTERNATIVE À VITESSE VARIABLE

SIERRA ALTERNATIVA VELOCIDAD VARIABLE

R3002



Customer Service Information:

For parts or service, contact your nearest RIDGID authorized service center. Be sure to provide all relevant information when you call or visit. For the location of the authorized service center nearest you, please call 1-866-539-1710 or visit us online at www.ridgid.com.

The model number of this tool is found on a plate attached to the motor housing. Please record the serial number in the space provided below. When ordering repair parts, always give the following information:

Model No. _____ R3002 _____

Serial No. _____

Service après-vente :

Pour acheter des pièces ou pour un dépannage, contacter le centre de réparations RIDGID agréé le plus proche. Veiller à fournir toutes les informations pertinentes lors de tout appel téléphonique ou visite. Pour obtenir l'adresse du centre de réparations agréé le plus proche, téléphoner au 1-866-539-1710, ou visiter notre site www.ridgid.com.

Le numéro de modèle se trouve sur une plaquette fixée au boîtier du moteur. Noter le numéro de série dans l'espace ci-dessous. Lors de toute commande de pièces détachées, fournir les informations suivantes :

No. de modèle _____ R3002 _____

No. de série _____

Información sobre servicio al consumidor:

Para piezas de repuesto o servicio, comuníquese con el centro de servicio autorizado de productos RIDGID de su preferencia. Asegúrese de proporcionar todos los datos pertinentes al llamar o al presentarse personalmente. Para obtener información sobre el centro de servicio autorizado más cercano a usted, le suplicamos llamar al 1-866-539-1710 o visitar nuestro sitio en la red mundial, en la dirección www.ridgid.com.

El número de modelo de este producto se encuentra en una placa adherida al alojamiento del motor. Le recomendamos anotar el número de serie en el espacio suministrado abajo. Al ordenar piezas de repuesto siempre proporcione la siguiente información:

Núm. de modelo _____ R3002 _____

Núm. de serie _____
