

Acadia

Model # 5917

Acadia 3ft Window Box



DESCRIPTION

Add a modern flare to your windows with the Acadia Window Box. Its bold square design and textured base bring modern elegance to any space.

- Easy care four season window box
- Made from 100% high-grade polyethylene
- Features a double wall design creating a water reservoir
- Includes 3 wall mount brackets with a black powder coated finish
- Warranty: 15-Yr Residential Use / 5-Yr Commercial Use

PRODUCT DIMENSIONS

Outside Dimensions: 36in L x 10.7in W x 10.1in H (91.4cm x 27.3cm x 25.7cm)

Inside Dimensions: 33.2in L x 8in W x 7in D (84.4cm x 20.3cm x 17.8cm)

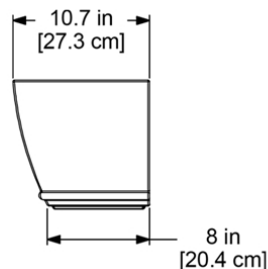
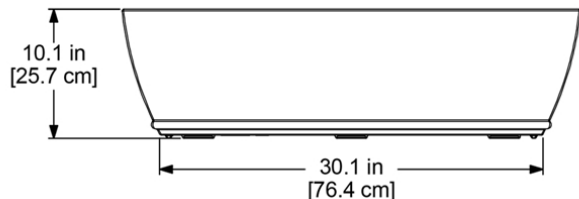
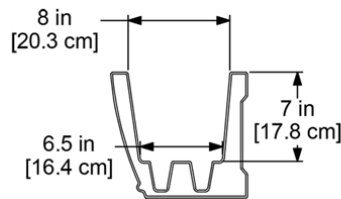
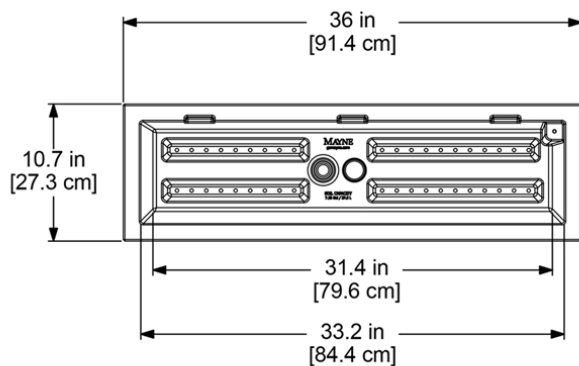
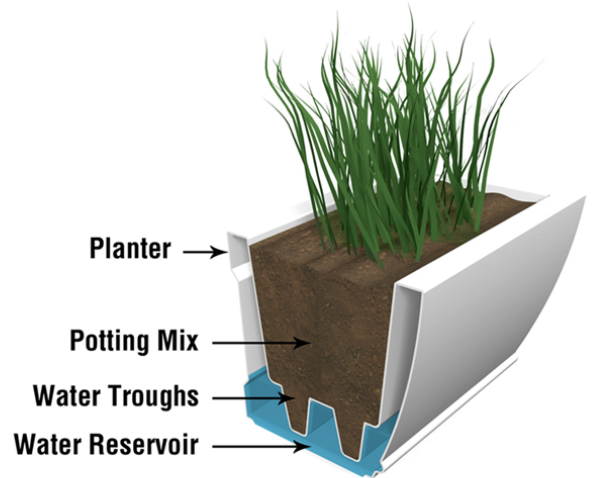
Soil Capacity: 7.25 Gallons (27.5 Liters)

Water Reservoir Capacity: 2.6 Gallons (9.8 Liters)

Wall Thickness: 0.12in (3mm)

Part Weight: 14lbs (6.4kg)

Material: Polyethylene



MAYNE[®]
Outdoor Products of Distinction

7024 Kilbourne Rd - Unit A London, ON N6P 1K6

Tel: 866-363-8834 | www.gomayne.com

customerservice@gomayne.com