



***Congratulations on your decision to purchase a Lifesmart spa.  
Welcome to the growing family of Lifesmart spa owners!***



## ***Pre-Delivery Guide***

Please take the time to read this booklet carefully, as it will provide you with the information you will need to ensure the safe, secure, and timely installation of your new spa. The following sections are guidelines on how to prepare for delivery and set-up of your new spa. Specifically covered are site selection, delivery access, ground preparation, and electrical requirements.

Remember to carefully review the Owner's Manual that accompanies your spa. The Owner's Manual can be found in the Owner's Package.

Watkins Wellness™ reserves the right to change features, specifications, and design without notification and without incurring any obligation.

DATE PURCHASED: \_\_\_\_\_

In most cities and counties, permits will be required for the installation of electrical circuits or the construction of exterior surfaces (decks and gazebos). In addition, some communities have adopted residential barrier codes which may require fencing and/or self-closing gates on the property to prevent unsupervised access to a pool (or spa) by children under 5 years of age. Your spa is equipped with a locking cover that meets the ASTM F1346 Standard for Safety Covers and as a result, is usually exempt from most barrier requirements. As a general practice, your local Building Department will inform you of any applicable barrier requirements at the time a permit is obtained for the installation of an electrical circuit.

**For Customer Service, please call (888) 961-7727**

# Site Selection and Preparation

**IMPORTANT:** Site selection and preparation are your responsibility. Carefully read these instructions and consult your authorized dealer if you have any questions.

You probably have a spot picked out for your new spa, whether it's indoors or outdoors, on a patio or on a deck. Just make sure you check the following:

- Always put your spa on a structurally sound, level within ½" per 10' (1 cm per 3 m) surface. A filled spa can weigh hundreds of pounds. Make certain that the location you choose can support the weight of your filled spa.
- Locate your equipment compartment, which houses all of the electrical components, in a place where water will drain away from it. Allowing water into the equipment compartment can damage the electronics, or may result in tripping your house's circuit breaker.
- Leave yourself easy access to the circuit breakers in the subpanel (230 volt models), or to the GFCI on the end of the power cord (115 volt models).
- Never let water get into the subpanel (230 volt models), or into the GFCI (115 volt models), or into the electrical outlet that your spa is plugged into.
- Leave access to the equipment compartment for periodic spa care and maintenance.

## OUTDOOR AND PATIO INSTALLATION

No matter where you install your new spa, it's important that you have a solid foundation to support it. Structural damage to the spa resulting from incorrect installation or placement on an inadequate foundation is not covered under the spa's limited warranty.

If you install the spa outdoors, a reinforced concrete pad at least four inches (10 cm) thick is suggested. The reinforcing rod or mesh in the pad should be attached to a bond wire. All spas may be installed onto a deck, provided that the load capacity of the deck is greater than the dead weight of the spa.

## DECK INSTALLATION

To be certain your deck can support your spa, you must know the deck's maximum load capacity. **Consult a qualified building contractor or structural engineer before you place the spa on an elevated deck or indoors.** To find the weight of your spa, its contents and occupants, refer to the Spa Specification chart on the inside back cover of this guide. The weight per square foot must not exceed the structure's rated capacity, or serious structural damage could result.

## INDOOR INSTALLATION

Be aware of some special requirements if you place your spa indoors. Water will accumulate around the spa, so flooring materials must provide a good grip when wet. Proper drainage is essential to prevent a build-up of water around the spa. When building a new room for the spa, it is recommended that a floor drain be installed. The humidity will naturally increase with the spa installed. Water may get into woodwork and produce dry rot, mildew, or other problems. Check for airborne moisture's effects on exposed wood, paper, etc. in the room. To minimize these effects, it is best to provide plenty of ventilation to the spa area. An architect can help to determine if more ventilation must be installed.

# GROUND PREPARATION

Your spa has been engineered to perform on all kinds of common yard surfaces. While a concrete slab is best for long-term use\*, other foundations are acceptable so long as a level base is prepared prior to delivery. Three foundation base pictures, shown at right, represent examples of alternatives to a concrete slab for spas installed without gazebos or other accessories.

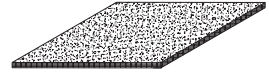
**NOTE:** A reinforced concrete pad at least four inches (10 cm) thick is recommended.

## INSTALLATION NOTES:

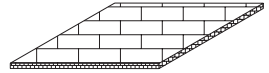
As a homeowner, it is your responsibility to provide a suitable, level foundation for your spa. Keep in mind that most delivery crews are not equipped to level and prepare spa sites.

**NOTE:** In order for the spa to operate properly and the internal plumbing to drain completely, you must ensure that the spa is leveled within 1/2" per 10' (1 cm per 3 m) after it has been installed. Do not shim your spa in any manner, as this could cause the cabinet to warp, thereby voiding the warranty.

### FOUNDATIONS FOR SPAS WITH ACCESSORIES



CONCRETE PADS



BRICK SURFACES



WOOD DECKING

# DELIVERY

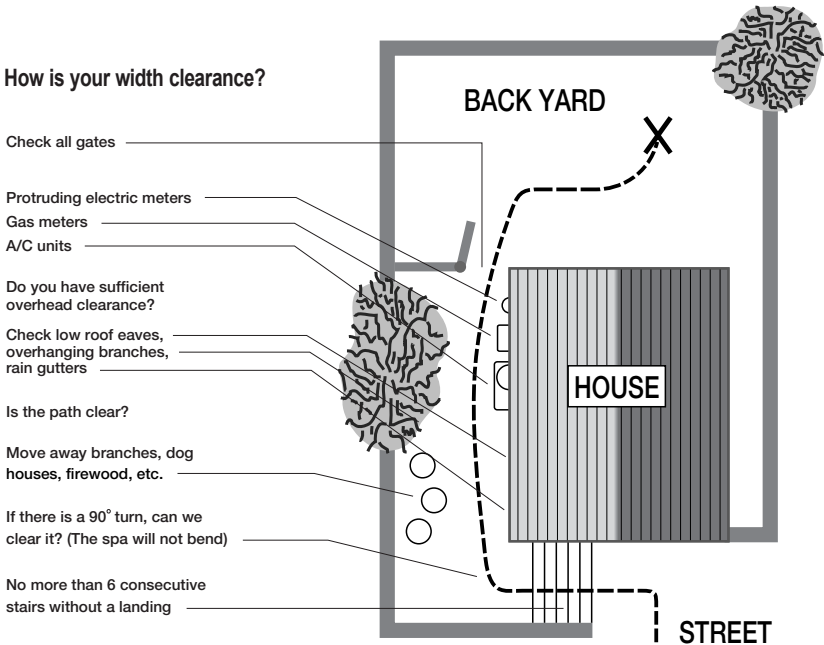
Your spa will be delivered at the end of your driveway. It is delivered on end, wrapped on a sturdy pallet for convenient placement. You will be responsible for any arrangements needed to have your spa placed in your desired location.

(For example, cranes are not considered "normal delivery".) It is recommended to consulting professionals who have experience moving large items.

## REVIEW THE ROUTE OF YOUR SPA DELIVERY:

Carefully review the route that the spa will take through your property. Make sure there is sufficient clearance. Keep the overall dimensions in mind when your spa is wrapped on a pallet. You are able to remove the hot tub from the pallet and put a 4-wheel furniture dolly underneath it to move it. In this case you will need a 3 ft wide pathway that will accommodate an approximate 7' - 7½ height clearance. Keep in mind that it will be almost 7' long, so check for clearances when turning corners.

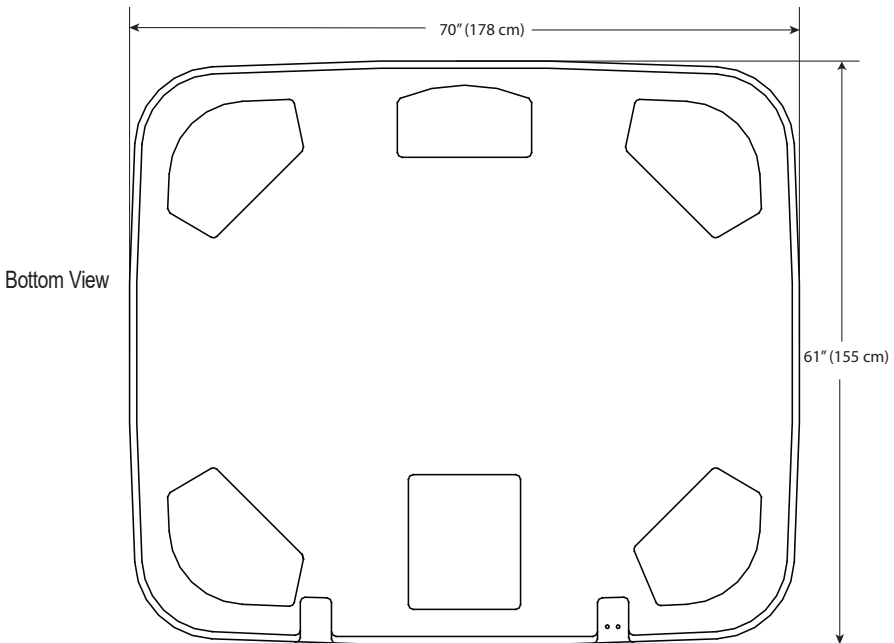
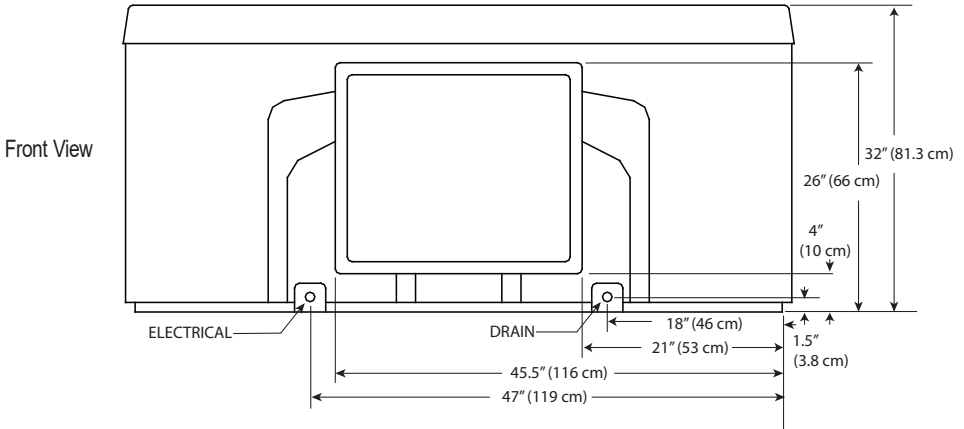
**NOTE:** The empty spa can weigh as much as 1,000 lbs. Choose the safest and most direct route possible. We recommend hiring professionals to avoid physical harm or property.



# LS100/DX

## Dimensions

**NOTE: All dimensions are approximate; measure your spa before making critical design or pathway decisions.**

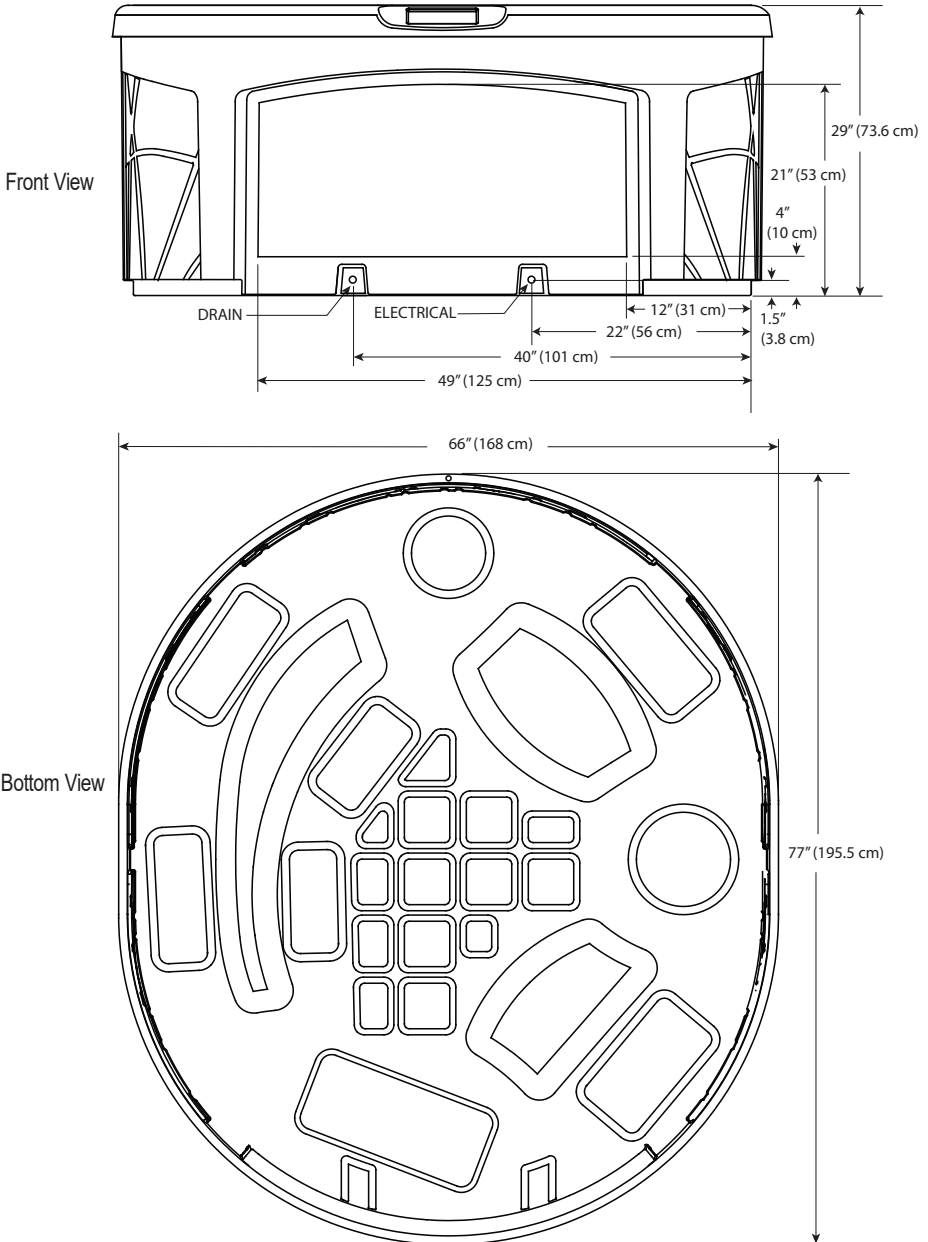


DOOR SIDE

# LS200/DX

## Dimensions

**NOTE: All dimensions are approximate; measure your spa before making critical design or pathway decisions.**

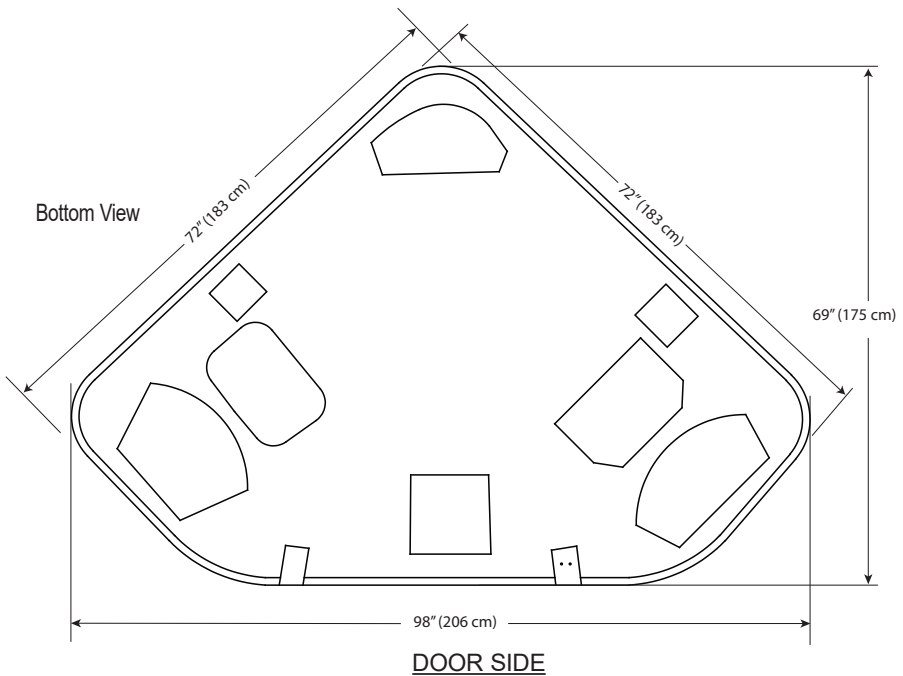
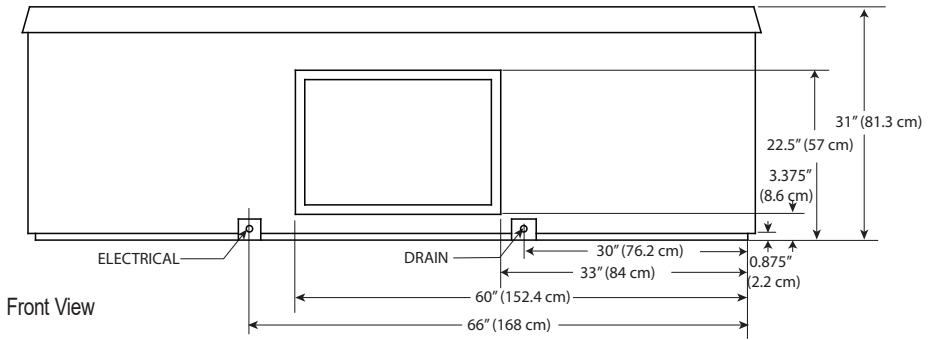


DOOR SIDE

# LS300 PLUS

## Dimensions

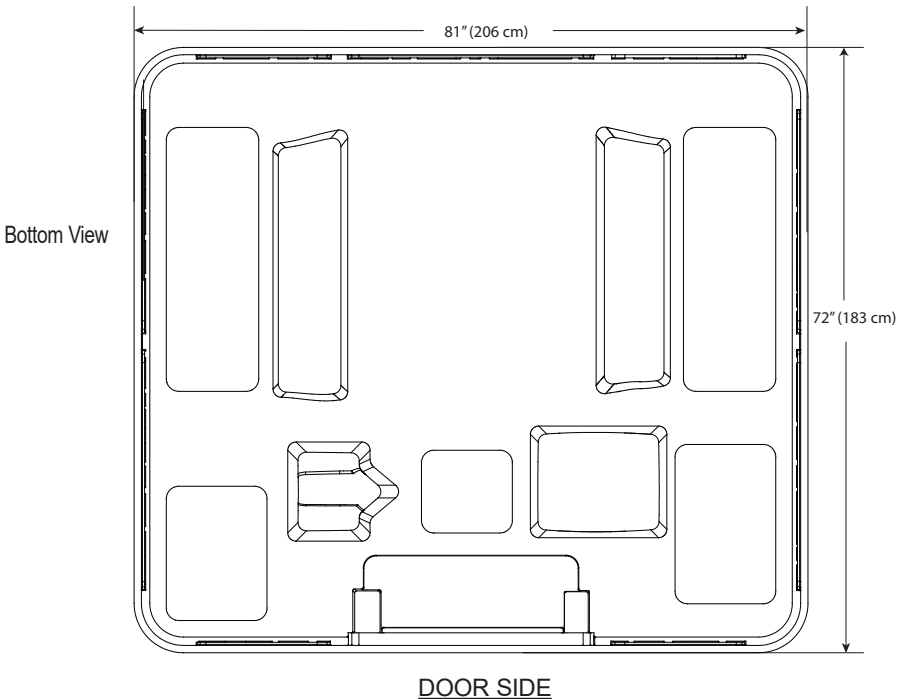
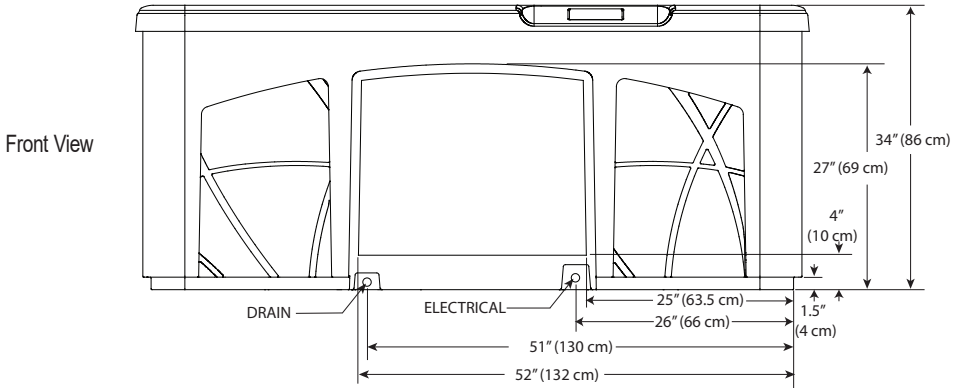
**NOTE: All dimensions are approximate; measure your spa before making critical design or pathway decisions.**



# LS350DX/PLUS

## Dimensions

**NOTE: All dimensions are approximate; measure your spa before making critical design or pathway decisions.**



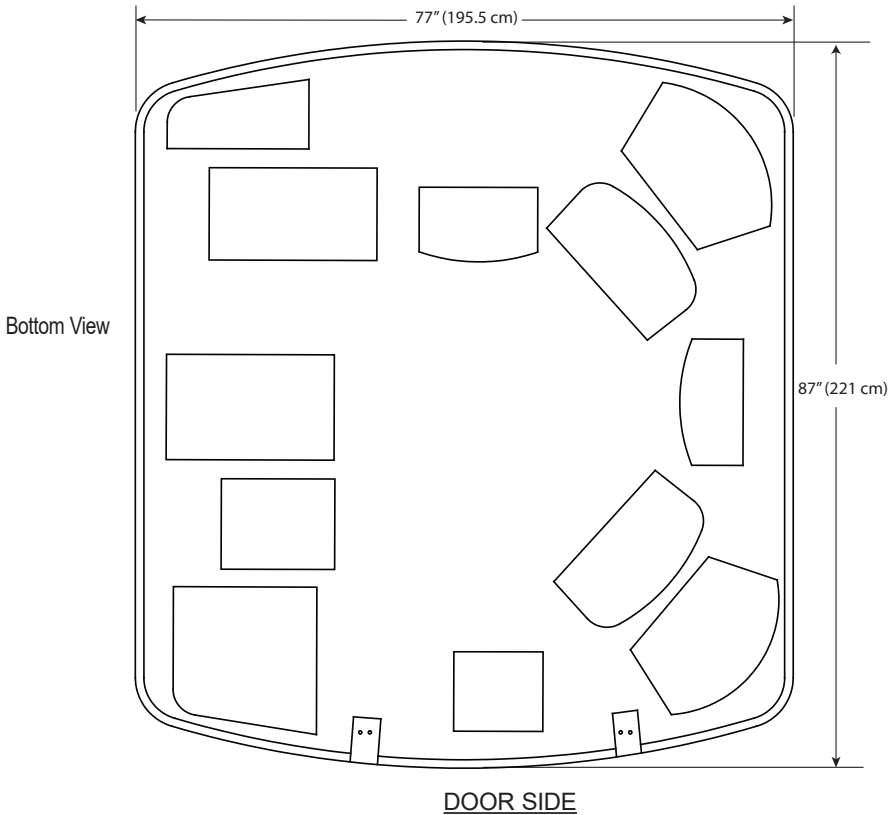
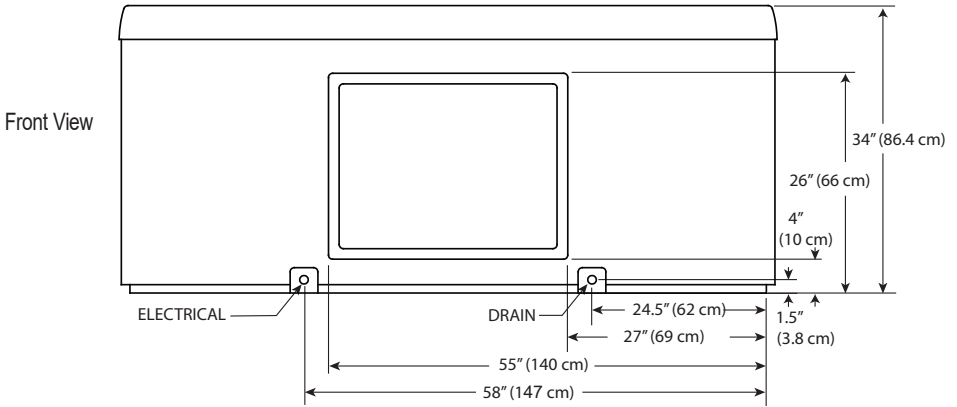




# LS500PLUS/550PLUS

## Dimensions

**NOTE: All dimensions are approximate; measure your spa before making critical design or pathway decisions.**



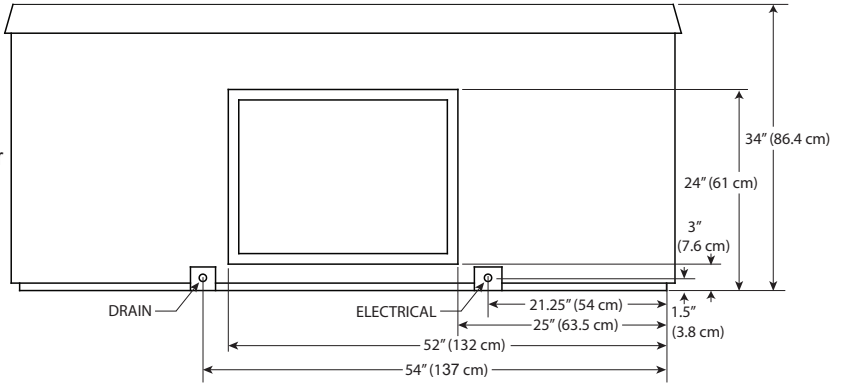
# LS600DX/700DX

## Dimensions

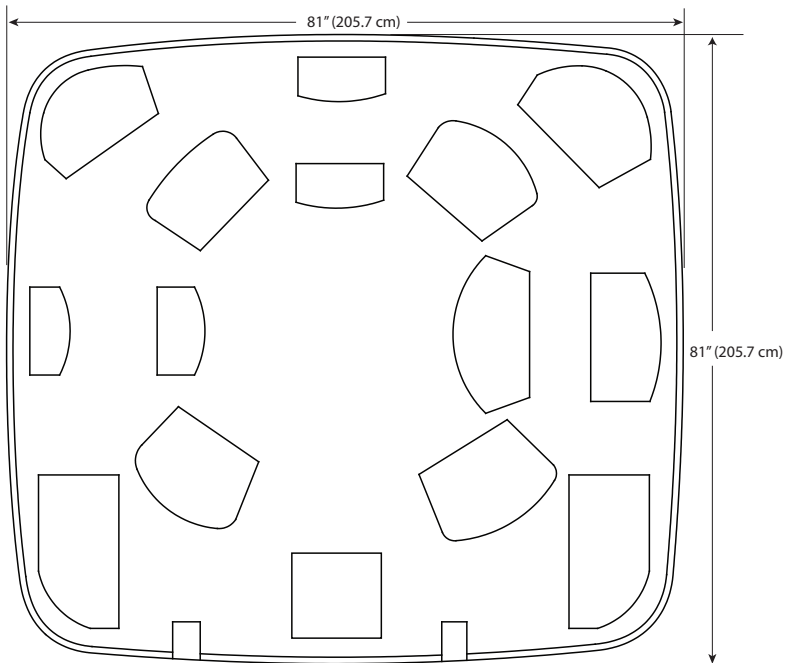
**NOTE: All dimensions are approximate; measure your spa before making critical design or pathway decisions.**

Front View

NOTE: The LS700 has a secondary door not illustrated



Bottom View

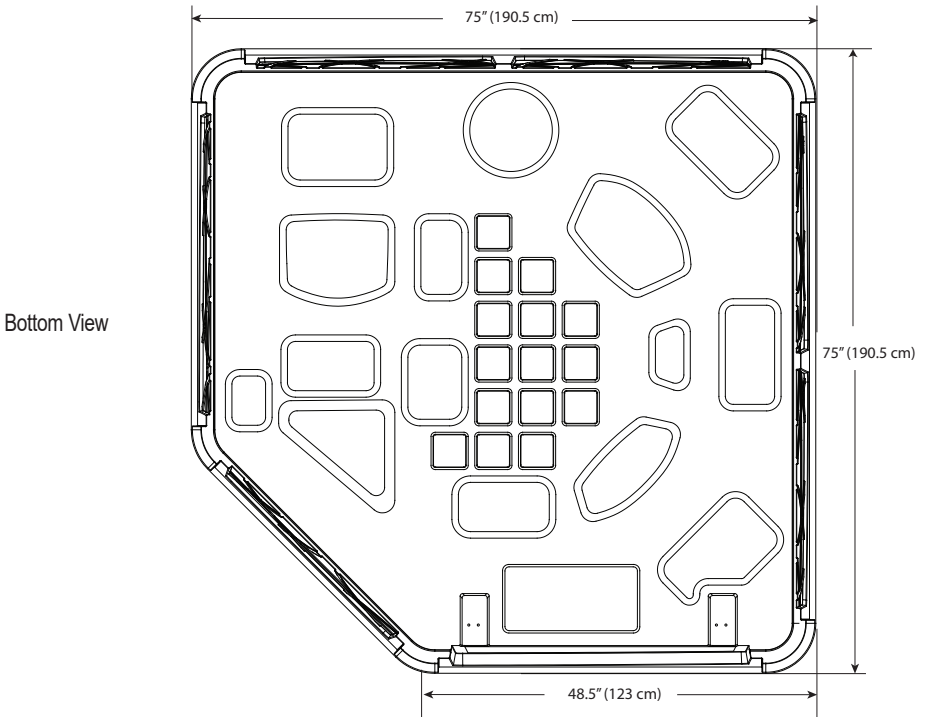
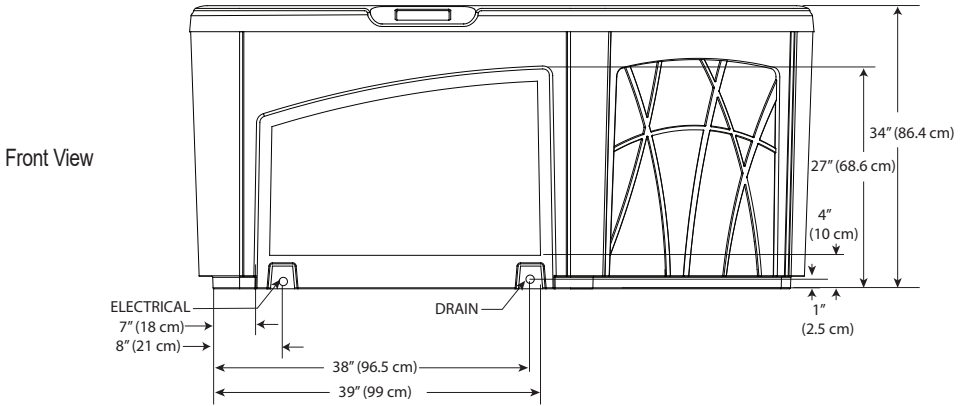


DOOR SIDE

# SERENO

## Dimensions

**NOTE: All dimensions are approximate; measure your spa before making critical design or pathway decisions.**



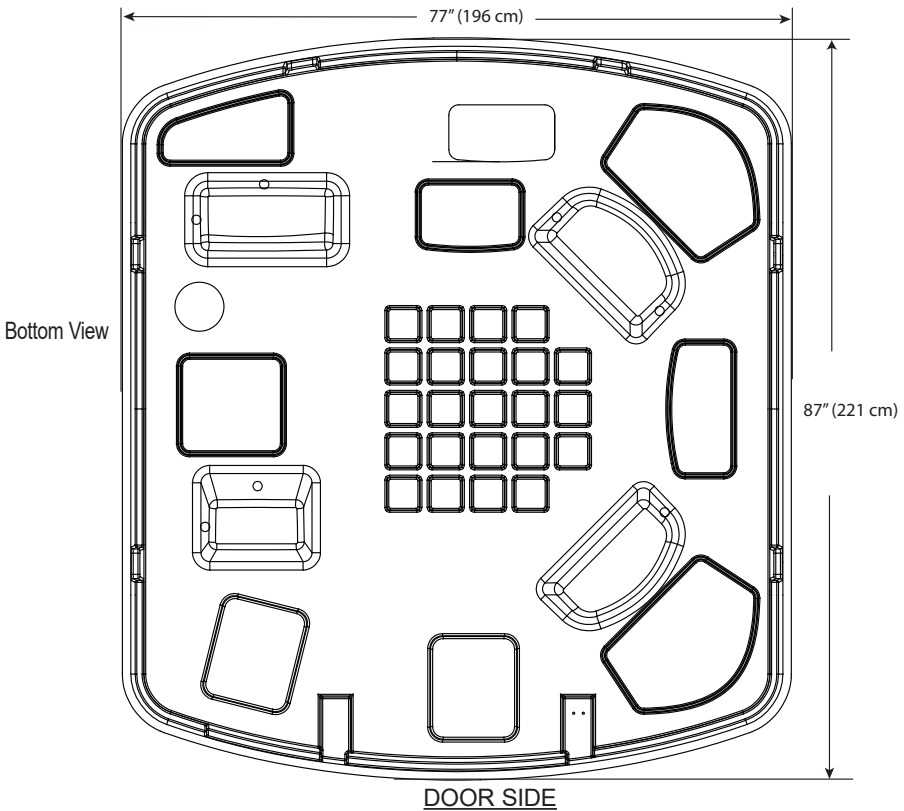
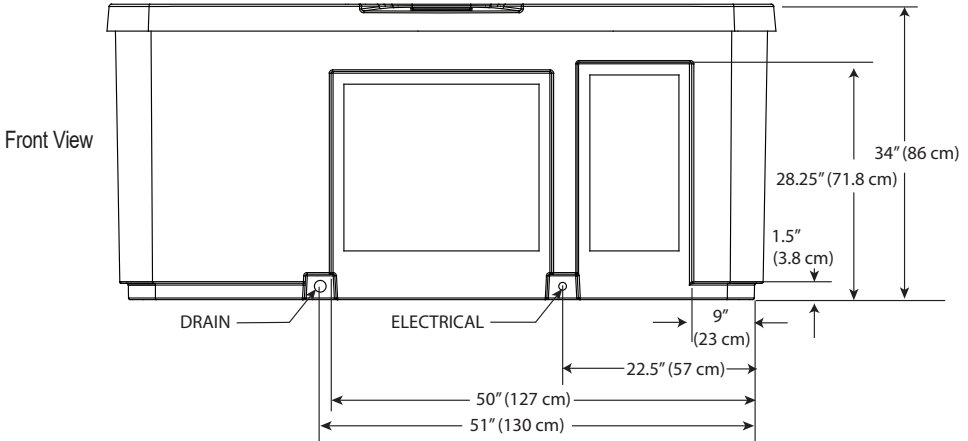
DOOR SIDE



# LEGANZA

## Dimensions

**NOTE: All dimensions are approximate; measure your spa before making critical design or pathway decisions.**

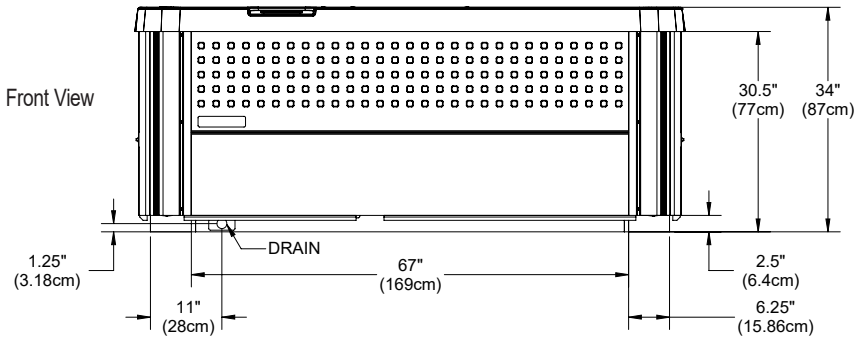


# WILLOW

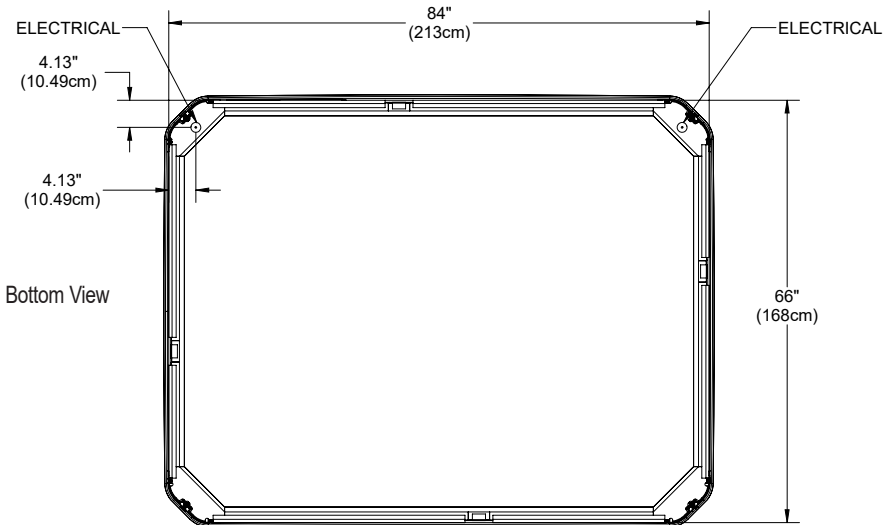
## LSA-510L

### Dimensions

**NOTE: All dimensions are approximate; measure your spa before making critical design or pathway decisions.**



### DOOR SIDE

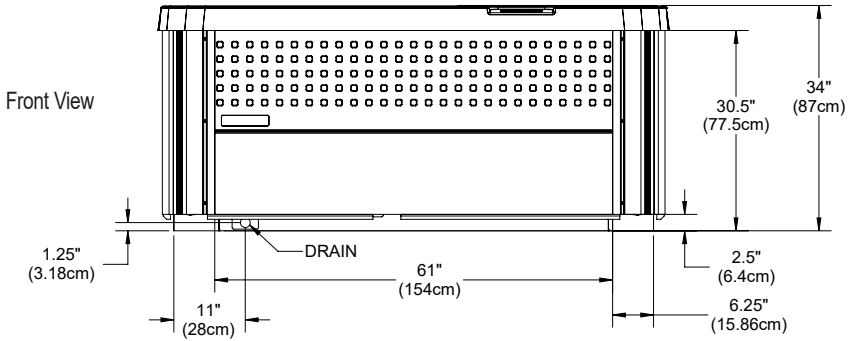


# ACACIA L & NL

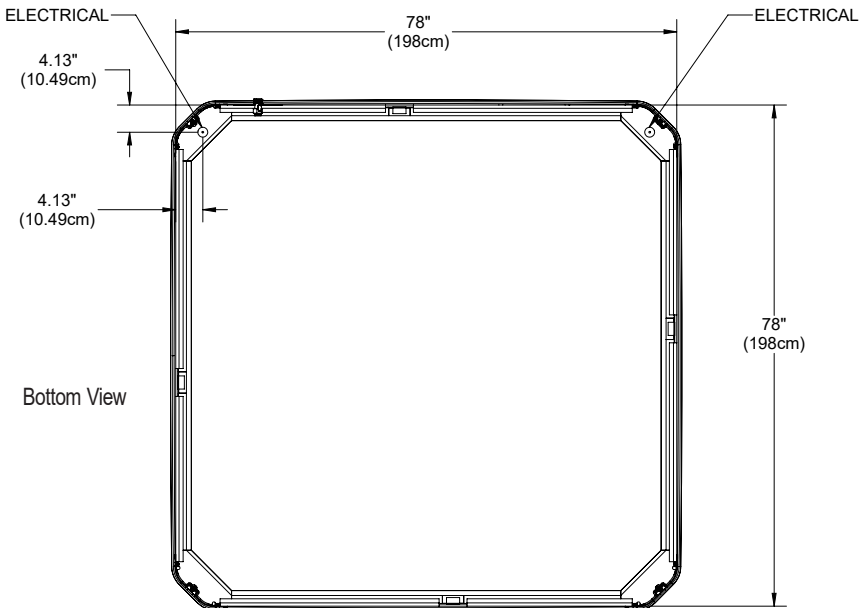
## LSA-620L & LSA-620

### Dimensions

**NOTE: All dimensions are approximate; measure your spa before making critical design or pathway decisions.**



### DOOR SIDE



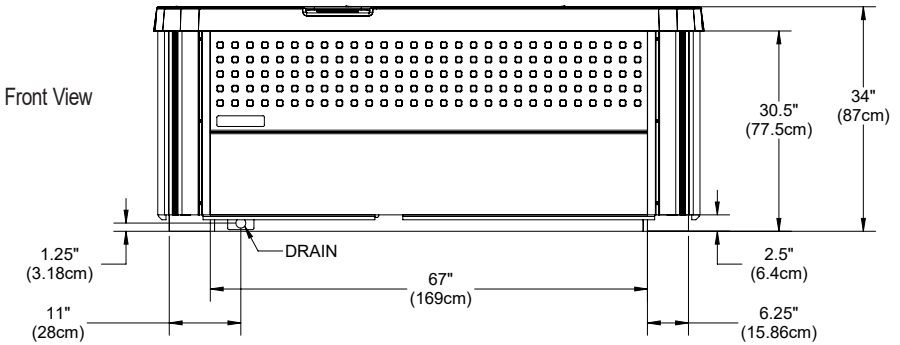


# PALMETTO L & NL

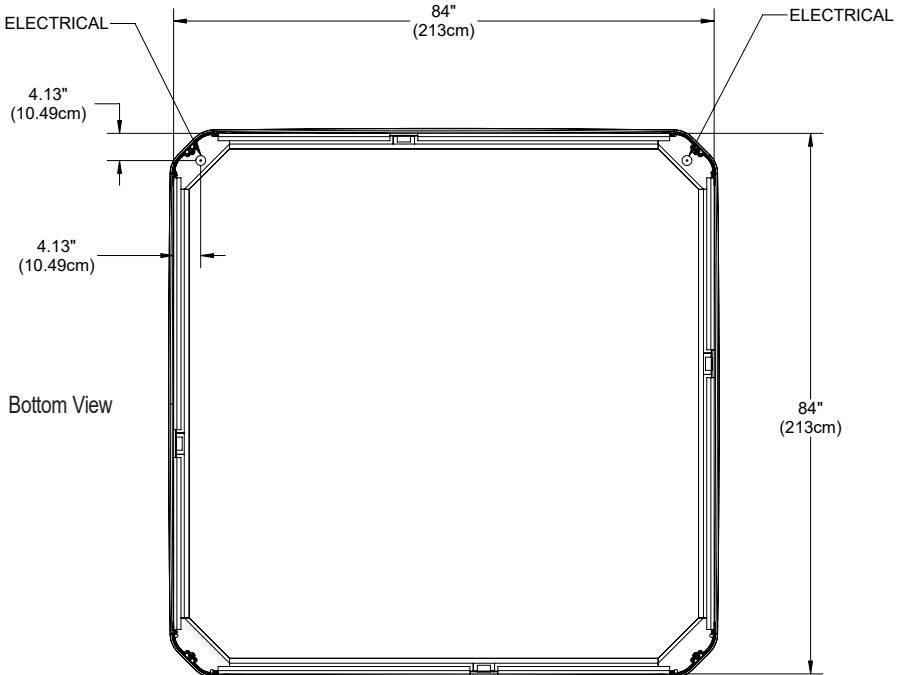
## LSA-720L & LSA-720

### Dimensions

**NOTE: All dimensions are approximate; measure your spa before making critical design or pathway decisions.**



### DOOR SIDE



# ELECTRICAL REQUIREMENTS

To ensure you will have an opportunity to use your spa soon after delivery, it is very important that the required electrical service has been installed. THIS IS YOUR RESPONSIBILITY.

**IMPORTANT:** All electrical circuits must be installed by a qualified, licensed electrician.

Some spa models are available as 115 volt or 230 volt convertible heating systems. These models come standard from the factory with 115 volt heating systems; however, with the addition of a subpanel and a control box wiring change, they can be converted to 230 volt operation. See the following sections for the electrical requirements for 115 volt operation, and 230 volt converted operation.

## 115 VOLT 15 AMP OPERATION REQUIREMENTS

Sereno & Willow (LSA-510L) Models: The heater will provide approximately 1000 watts of heat only when the pump is operating in LOW speed and the thermostat is calling for heat. **NOTE:** The heater does not operate when the pump is on high speed.

It is highly recommended that the 115 volt spa models be on a dedicated 15 amp, 115 volt circuit.

All 115 volt models come equipped with approximately 13 feet (4 m) of usable power cord. (This is the maximum length allowed by ETL.) When the spa is installed, the power cord will come out of the bottom of the equipment compartment.

In addition to the dedicated 15 amp, 115 volt GFCI protected circuit, your spa requires a 15 amp single receptacle. This receptacle should contain an outdoor-rated, weather-resistant receptacle cover plate. The single receptacle and cover plate should be installed by your electrician prior to the delivery of your spa.

For your safety, when your electrician is installing the electrical outlet, it should be no closer than 6 feet (1.8 m) and no farther than ten feet (3 m) from the spa. (Reference National Electric Code)

**WARNING:** Do not connect your spa to an extension cord!

The 115 volt GFCI switch and the receptacle must be protected from weather and landscape sprinklers—they should never get wet.

Your spa has been carefully engineered to provide maximum safety against electric shock. Remember, connecting the spa to an improperly wired circuit will negate many of its safety features.

## 115 VOLT 30 AMP CONVERSION (SERENO ONLY)

Benefit when converting to a 30 amp system: The heater will provide approximately 1000 watts of heat when the pump is operating in LOW or HIGH speed and the thermostat is calling for heat.

Converted models require a 30 amp, single phase, 115 volt circuit breaker in the main electrical service panel.

Converted spas must be wired in accordance with applicable local and national electrical codes. All electrical work must be done by a licensed electrician.

**NOTE:** THIS CONVERSION REQUIRES THE USE OF A SUBPANEL TO SUPPLY POWER AND PROTECT THE SPA. The subpanel containing a GFCI breaker must be purchased separately.

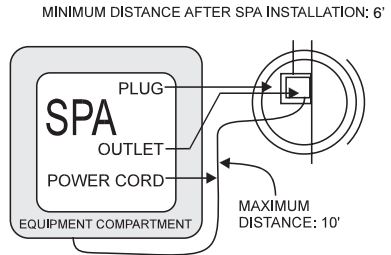
## 230 VOLT 50 AMP REQUIREMENTS

Benefit when having or converting to a 230V 50 amp system: The heater will provide approximately 4000 watts of heat when the pump is operating in LOW or HIGH speed and the thermostat is calling for heat.

All 230 volt models require a 50 amp, single phase, 230 volt circuit breaker in the main electrical service panel.

All 230 volt spas must be wired in accordance with applicable local and national electrical codes. All electrical work must be done by a licensed electrician.

**NOTE:** A CONVERSION MODEL REQUIRES THE USE OF A SUBPANEL TO SUPPLY POWER AND PROTECT THE SPA. The subpanel containing a GFCI breaker must be purchased separately.



A licensed electrician should install a four-wire electrical service (two line voltages, one neutral, one ground) from the main electrical service panel to the subpanel, and from the sub-panel to the spa per the appropriate wiring diagram as illustrated below.

Your electrician should mount the subpanel in the vicinity of the spa but it should not be closer than five (5) feet from the spa water edge.

**INSTALLATION NOTE:** After the spa has been installed, your electrician can connect the conduit from the subpanel to the spa's control box and then complete the wiring connections in the control box.

**NOTE:** Complete step-by-step Installation and Wiring Instructions for 230 volt configuration are included in the Owner's Manual and with each sub-panel.

**WARNING:** Removing or bypassing the GFCI breakers in the subpanel at any time will result in an unsafe spa and will void the warranty.

**WIRE SPECIFICATION NOTE:** Long electrical runs may require a larger gauge feed wire than stated. All wiring must be copper to ensure adequate connections. Do not use aluminum wire.

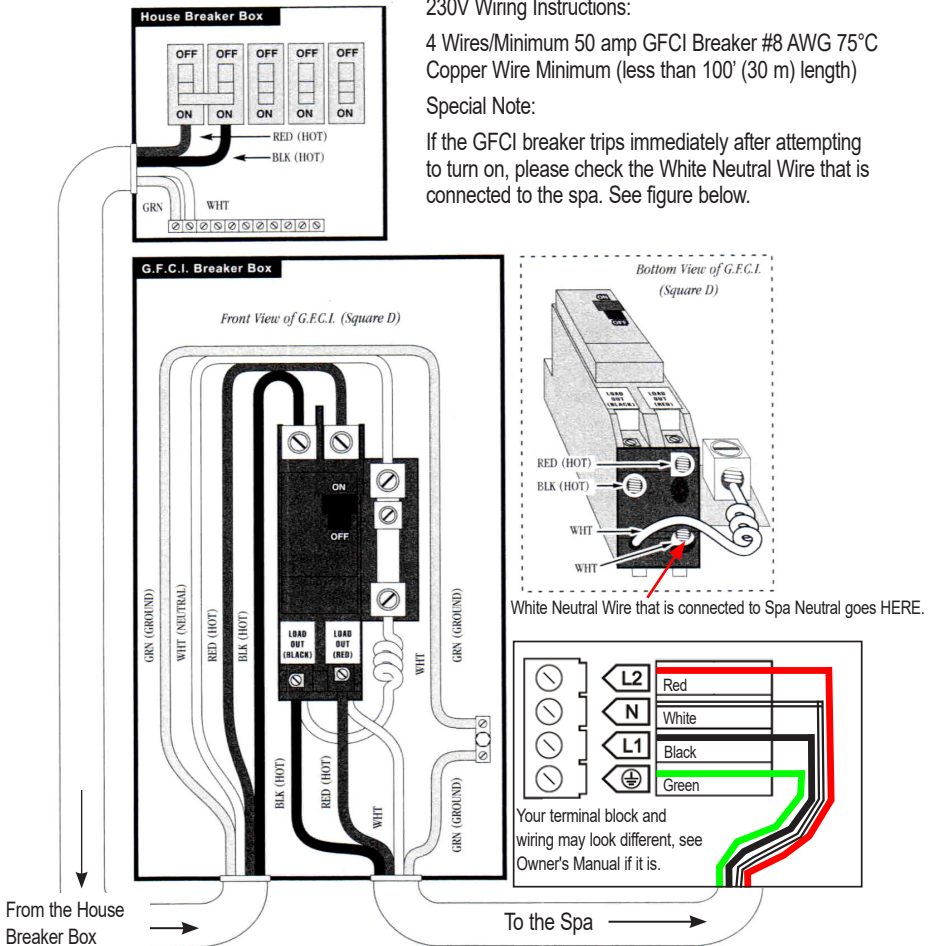
Refer to the Wiring Diagrams below for the electrical requirements of the 230 volt models.

**230V Wiring Instructions:**

4 Wires/Minimum 50 amp GFCI Breaker #8 AWG 75°C Copper Wire Minimum (less than 100' (30 m) length)

**Special Note:**

If the GFCI breaker trips immediately after attempting to turn on, please check the White Neutral Wire that is connected to the spa. See figure below.



# Spa Specifications

Spa Model (Seating)	Footprint Dimension	Height	Effective Filter Area	Heater (Watts)	Water Capacity	Dry Weight	Filled Weight*	Electrical Requirements
<b>LS100/DX</b> (4 Person)	70" x 61"	32"	50 ft <sup>2</sup>	Heat Recovery	205 gal	265 lbs 270 lbs	2,651 lbs 2,656 lbs	115 volt, 15 amp GFCI protected circuit
<b>LS200/DX</b> (4 Person)	66" x 77"	29"	25 ft <sup>2</sup>	Heat Recovery	220 gal	250 lbs	2,805 lbs	115 volt, 15 amp GFCI protected circuit
<b>LS300 PLUS</b> (2 Person)	72" x 72"	31"	50 ft <sup>2</sup>	Heat Recovery	195 ga	270 lbs	2,264 lbs	115 volt, 15 amp GFCI protected circuit
<b>LS350DX/PLUS</b> (5 Person)	72" x 81"	34"	50 ft <sup>2</sup>	Heat Recovery	300 gal	420 lbs 440 lbs	3,824 lbs 3,844 lbs	115 volt, 15 amp GFCI protected circuit
<b>LS450DX</b> (7 Person)	81" x 81"	34"	50 ft <sup>2</sup>	Heat Recovery	300 gal	460 lbs	4,214 lbs	115 volt, 15 amp GFCI protected circuit
<b>LS500 PLUS</b> (6 Person)	77" x 87"	34"	50 ft <sup>2</sup>	Heat Recovery	290 gal	440 lbs	3,935 lbs	115 volt, 15 amp GFCI protected circuit
<b>LS550 PLUS</b> (6 Person)	77" x 87"	34"	50 ft <sup>2</sup>	4,000	300 gal	460 lbs	4,039 lbs	230 volt 50 amp GFCI protected circuit
<b>LS600DX</b> (7 Person)	81" x 81"	34"	50 ft <sup>2</sup>	4,000	300 gal	480 lbs	4,234 lbs	230 volt 50 amp GFCI protected circuit
<b>LS700DX</b> (7 Person)	81" x 81"	34"	50 ft <sup>2</sup>	4,000	300 gal	500 lbs	4,254 lbs	230 volt 50 amp GFCI protected circuit
<b>**SERENO™</b> (4 Person)	75" x 75"	34"	50 ft <sup>2</sup>	1,000 or 4,000	275 gal	400 lbs	3,418 lbs	115 volt, 15 amp or 230 volt 50 amp GFCI protected circuit
<b>TIERRA™</b> (5 Person)	77" x 87"	34"	50 ft <sup>2</sup>	4,000	340 gal	430 lbs	4,171 lbs	230 volt 50 amp GFCI protected circuit
<b>LEGANZA™</b> (6 Person)	77" x 87"	34"	50 ft <sup>2</sup>	4,000	305 gal	480 lbs	4,101 lbs	230 volt 50 amp GFCI protected circuit

**CAUTION: WATKINS WELLNESS** suggests a structural engineer or contractor be consulted before the spa is placed on an elevated deck.

\* **NOTE:** The "Filled Weight" of the spa includes the weight of the occupants (assuming an average occupant weight of 175 lbs).

\*\* This spa may be converted to 115 Volts 30 amps requiring a 30 amp service.

# Spa Specifications - Continue

Spa Model (Seating)	Footprint Dimension	Height	Effective Filter Area	Heater (Watts)	Water Capacity	Dry Weight	Filled Weight*	Electrical Requirements
<b>Willow</b> <i>LSA-510L</i> (3 Person)	66" x 84"	34"	50 ft <sup>2</sup>	1,000 or 4,000	217 gal	582 lbs	2,936 lbs	115 volt, 15 amp or 230 volt 50 amp GFCI protected circuit
<b>Acacia L</b> <i>LSA-620L</i> (5 Person)	78" x 78"	34"	50 ft <sup>2</sup>	4,000	255 gal	683 lbs	3,708 lbs	230 volt, 50 amp GFCI protected circuit
<b>Acacia NL</b> <i>LSA-620</i> (7 Person)	78" x 78"	34"	50 ft <sup>2</sup>	4,000	268 gal	681 lbs	4,165 lbs	230 volt, 50 amp GFCI protected circuit
<b>Palmetto L</b> <i>LSA-720L</i> (6 Person)	84" x 84"	34"	50 ft <sup>2</sup>	4,000	322 gal	807 lbs	4,571 lbs	230 volt, 50 amp GFCI protected circuit
<b>Palmetto NL</b> <i>LSA-720</i> (7 Person)	84" x 84"	34"	50 ft <sup>2</sup>	4,000	346 gal	805 lbs	4,947 lbs	230 volt, 50 amp GFCI protected circuit

**CAUTION: WATKINS WELLNESS** suggests a structural engineer or contractor be consulted before the spa is placed on an elevated deck.

\* **NOTE:** The "Filled Weight" of the spa includes the weight of the occupants (assuming an average occupant weight of 175 lbs).



1280 Park Center Drive

Vista, California 92081

(888) 961-7727

email: [AHSService@watkinsmfg.com](mailto:AHSService@watkinsmfg.com)

©2024 WATKINS WELLNESS.





***Le felicitamos por su decisión de comprar un spa Lifesmart.  
Bienvenido a la cada vez más numerosa familia de propietarios de un  
spa Lifesmart.***



## ***Guía previa a la entrega***

Por favor, tómese tiempo para leer atentamente este folleto, ya que le proporcionará la información que necesita para asegurarse una instalación segura y a tiempo de su nuevo spa. Los siguientes apartados son directrices que le muestran cómo preparar el suministro y la configuración de su nuevo spa. En especial abarcan la selección del lugar, el acceso para la entrega, la preparación del suelo y los requisitos eléctricos.

Recuerde revisar atentamente el manual de usuario que viene con su spa- El Manual del Propietario se encuentra en el Paquete del Propietario.

Watkins Wellness™ se reserva el derecho a cambiar sin previo aviso cualquier característica, especificación o diseño, sin que por ello contraiga obligación alguna.

FECHA DE COMPRA: \_\_\_\_\_

En muchas ciudades y provincias, se necesita un permiso para la instalación de circuitos eléctricos o para la construcción de superficies exteriores (terrazas y toldos). Aparte del permiso, algunas comunidades han adoptado normas para barreras residenciales, en virtud de las cuales se ha de colocar una valla y/o puerta de cierre automático para evitar el acceso a piscinas (o spas) sin vigilancia de niños menores de cinco años. Su spa está equipado con una cubierta de cierre que cumple con la Standard for Safety Covers ASTM F1346. Gracias a ello, nuestros spas no suelen precisar la mayoría de los requisitos en cuanto a barreras. Por lo general, las autoridades locales le informarán de cualquier normativa respecto a la colocación de barreras en el mismo momento en el que le concedan el permiso para la instalación de un circuito eléctrico.

**Para contactar con el servicio al cliente, llame al (888) 961-7727**

# Selección y preparación del lugar

**IMPORTANTE:** la selección y el emplazamiento son responsabilidad suya. Léase atentamente estas instrucciones y consulte a su vendedor autorizado si tiene alguna pregunta.

Probablemente, usted ya haya escogido el lugar donde desea instalar su spa, bien sea interior o exterior, en un patio o terraza. Ahora, sólo asegúrese de seguir los siguientes puntos:

- Instale siempre el spa sobre una superficie nivelada y una estructura sólida de ½" por 10' (1 cm por cada 3 m). Un spa lleno puede pesar cientos de libras. Asegúrese de que el emplazamiento escogido soporte el peso del spa lleno.
- Coloque el compartimiento del equipo (donde quedarán alojados todos los componentes eléctricos) en un lugar alejado del desagüe. La filtración de agua dentro del compartimiento del equipo podría causar daños en los componentes electrónicos o provocar que salte el disyuntor de la casa.
- Deje un espacio de fácil acceso al disyuntor en el subpanel (modelos de 230 voltios ) o al GFCI al final del cable de corriente (en modelos de 115 voltios).
- Nunca deje que el agua se meta en el subpanel (modelos de 230 V), en el GFCI (modelos de 115 V) o en la toma de corriente a la que esté conectado el spa.
- Deje un acceso libre al compartimiento del equipo para el cuidado y mantenimiento periódicos del spa.

## INSTALACIÓN EN EXTERIORES Y PATIOS

Cualquiera que sea el lugar de instalación del spa, es importante que tenga cimientos sólidos que soporten su peso. De hecho, los daños estructurales detectados en el spa que sean consecuencia de una instalación o ubicación incorrectas o de cimientos inadecuados, no están cubiertos por la garantía limitada.

Si instala el spa en el exterior, le recomendamos una plataforma de hormigón armado de un grosor de al menos diez centímetros cuatro pulgadas (10 cm). Las varillas y mallas de refuerzo de la plataforma deben conectarse a un cable de unión. Todos los spas pueden instalarse en una terraza, siempre y cuando su capacidad de carga sea mayor que el peso muerto del spa.

## INSTALACIÓN EN TERRAZAS

Para asegurarse de que su terraza puede soportar el peso del spa, debe conocer la capacidad de carga máxima de la terraza. **Consulte a un constructor cualificado o a un ingeniero civil antes de colocar el spa en una terraza elevada o en el interior.** Para averiguar el peso del spa, de su contenido y sus ocupantes, consulte la tabla de especificaciones del spa que se encuentra al final de esta guía. El peso por metro cuadrado no deberá exceder la capacidad específica de la estructura. En caso contrario, se pueden producir graves daños estructurales.

## INSTALACIÓN EN INTERIORES

Asegúrese de cumplir con los siguientes requisitos especiales si desea instalar el spa en el interior de su hogar. El agua se acumulará alrededor del spa, por lo que el piso debe ser de un material que ofrezca un buen agarre aunque esté mojado. Es esencial un desagüe adecuado para evitar la acumulación de agua alrededor del spa. Si construye una nueva habitación para el spa, es recomendable que instale un desagüe en el suelo. El nivel de humedad aumentará con la instalación del spa. El agua podría filtrarse en la madera y provocar su putrefacción, la presencia de moho y otros problemas. Compruebe los efectos que causa la humedad del aire sobre la madera, el papel, etc., en la habitación. Para minimizar estos efectos, la mejor solución es disponer de la máxima ventilación en la zona donde se instale el spa. Un arquitecto puede ayudar a determinar si es necesaria una ventilación suplementaria.



# PREPARACIÓN DEL SUELO

El spa se ha diseñado para funcionar en distintos tipos de superficies comunes de patio. Aunque una plataforma de hormigón es lo mejor para el uso a largo plazo\*, se puede utilizar otro tipo de cimientos, siempre y cuando se prepare una base nivelada antes de la entrega. Las tres ilustraciones de cimientos mostradas a la derecha representan ejemplos de alternativas a la plataforma de hormigón para spas instalados sin toldos ni otros accesorios.

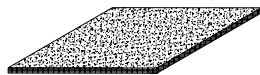
**NOTA:** se recomienda una plataforma de hormigón reforzado de un mínimo de cuatro pulgadas (10 cm) de espesor.

## NOTAS A LA INSTALACIÓN:

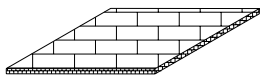
En calidad de propietario de la vivienda, es su responsabilidad proporcionar cimientos nivelados para la bañera. Recuerde que normalmente el personal de entrega no está equipado para nivelar y preparar el lugar de instalación del spa

**NOTA:** para que el spa funcione correctamente y la tubería interna desagüe completamente, compruebe que el spa está nivelado a  $\frac{1}{2}$ " por cada 10' (1 cm cada 3 m) una vez esté instalado. No coloque cuñas en el spa ya que podrían deformar el revestimiento, lo que anularía la garantía.

### CIMENTOS PARA SPAS CON ACCESORIOS



### PLATAFORMAS DE HORMIGÓN



### SUPERFICIES DE LADRILLO



### TERRAZA DE MADERA

# ENTREGA

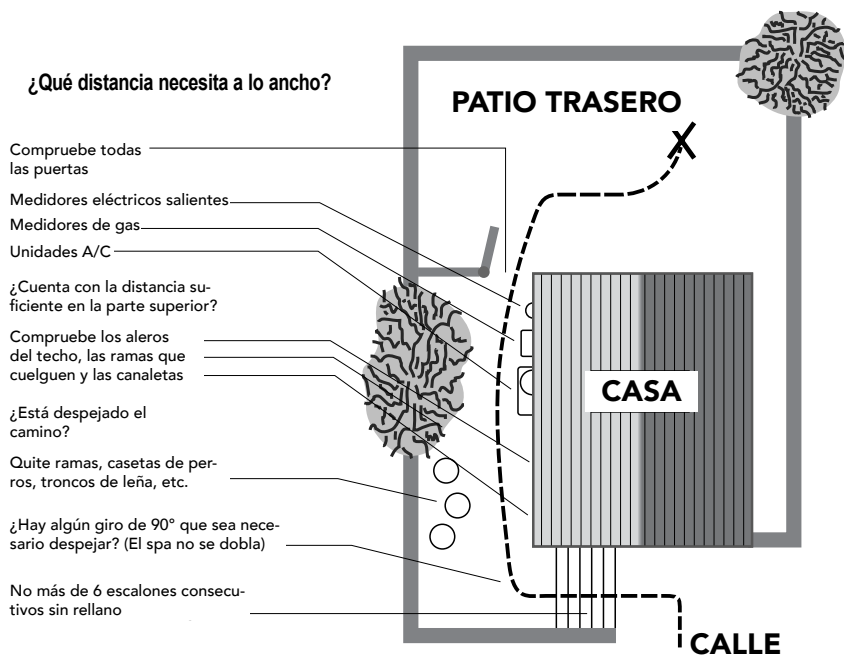
Su spa se entregará a pie de calle. Se suministra envuelto en un resistente palé final para una cómoda colocación. Usted es el responsable de realizar cualquier arreglo necesario para poder colocar su spa en el lugar deseado.

(Por ejemplo, utilizar grúas no se considera una "entrega normal"). Se recomienda consultar a profesionales que tengan experiencia en trasladar artículos grandes.

## REVISE LA RUTA DE ENTREGA DE SU SPA:

Revise atentamente la ruta que seguirá su spa en su propiedad. Asegúrese de que hay espacio suficiente. Calcule las dimensiones en total y téngalas en cuenta cuando reciba el spa envuelto en un palé. Ya puede sacar el spa del palé y colocarlo debajo de una plataforma rodante de 4 ruedas para moverlo. En este caso, necesitará un sendero de 3 pies de anchura capaz de acoger una altura libre de aproximadamente 7' - 7½'. No olvide que tendrá casi de 7' de largo, así que compruebe que haya espacio al dar la vuelta a las esquinas.

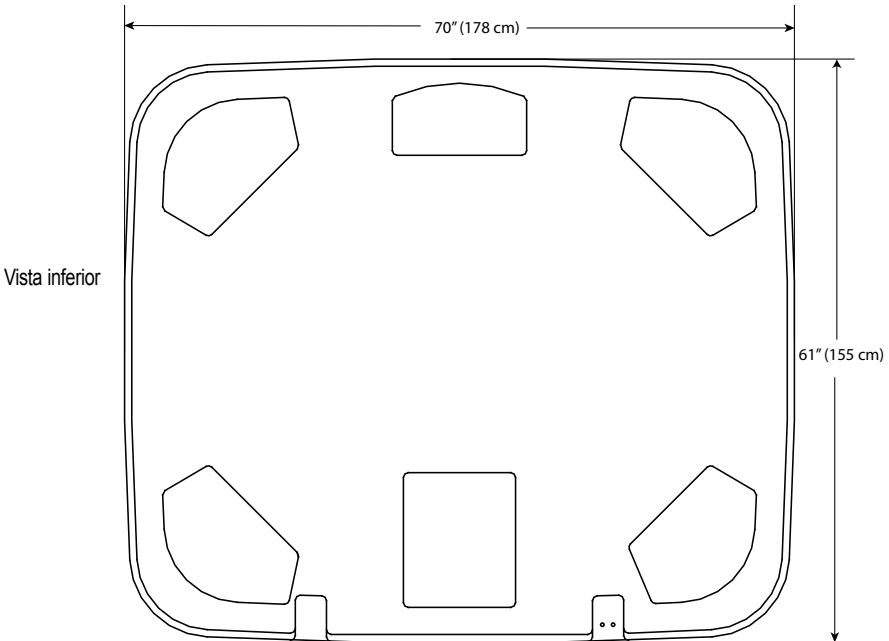
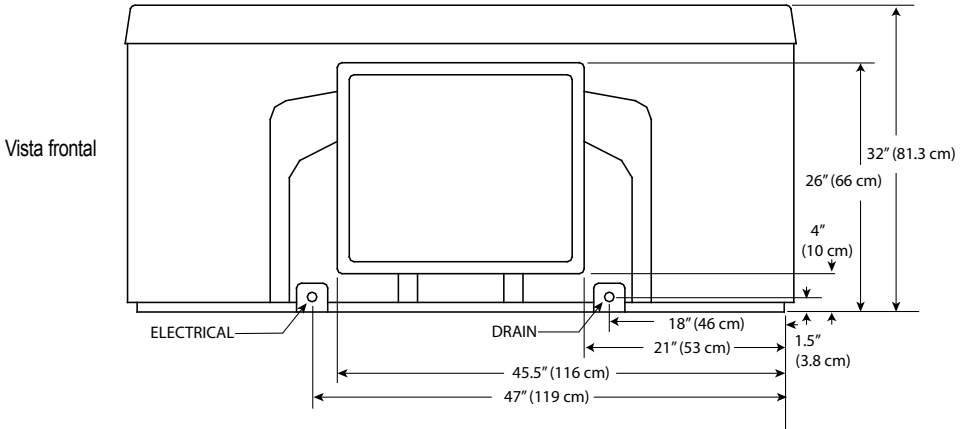
**NOTE:** un spa vacío puede llegar a pesar 1000 lbs. Elija la ruta más segura y directa posible. Le recomendamos que contrate a profesionales para evitar daños físicos o en la propiedad.



# LS100/DX

## Dimensiones

**NOTA: todas las dimensiones son aproximadas; mida su spa antes de tomar decisiones fundamentales, tanto sobre el diseño como sobre la ubicación de los accesos.**

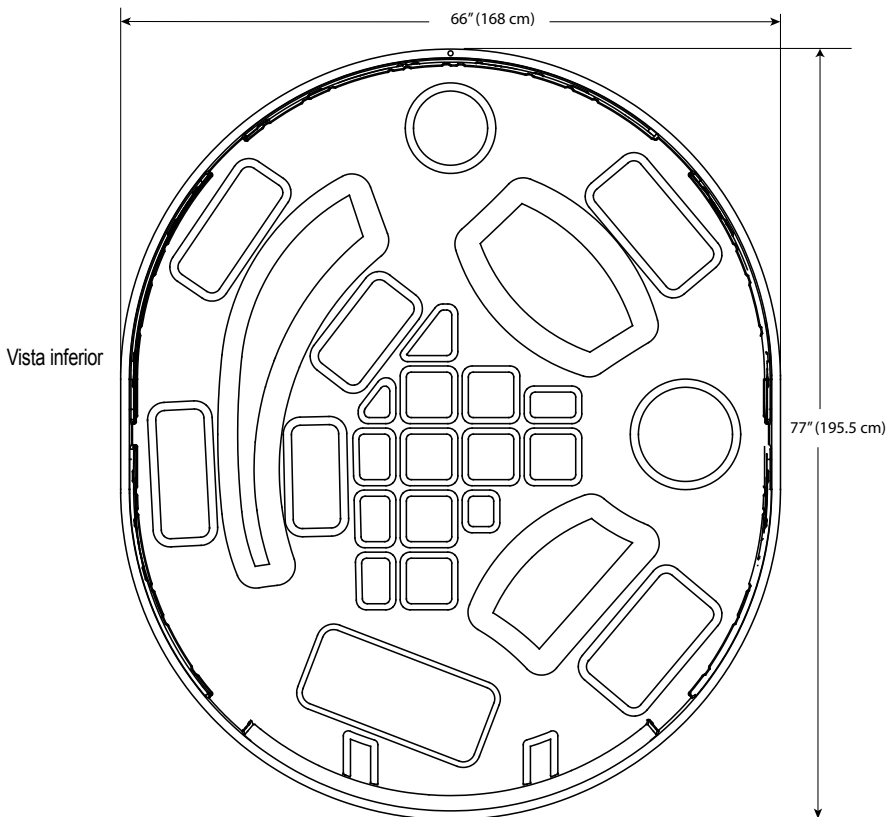
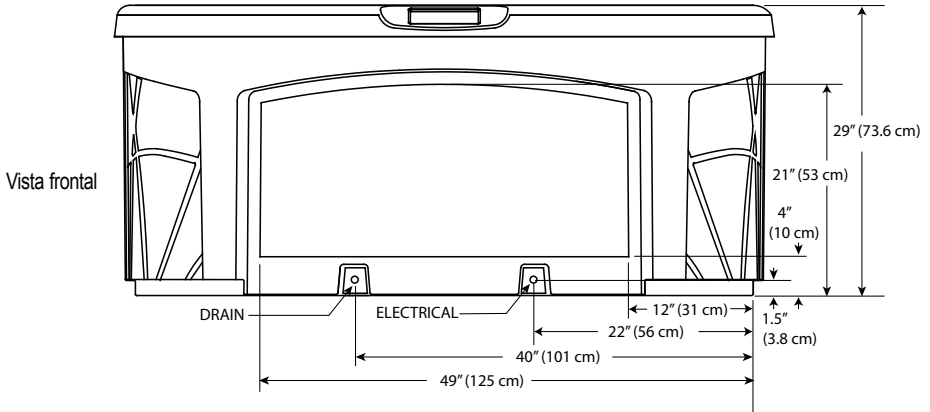


LATERAL DE LA PUERTA

# LS200/DX

## Dimensiones

**NOTA: todas las dimensiones son aproximadas; mida su spa antes de tomar decisiones fundamentales, tanto sobre el diseño como sobre los accesos.**

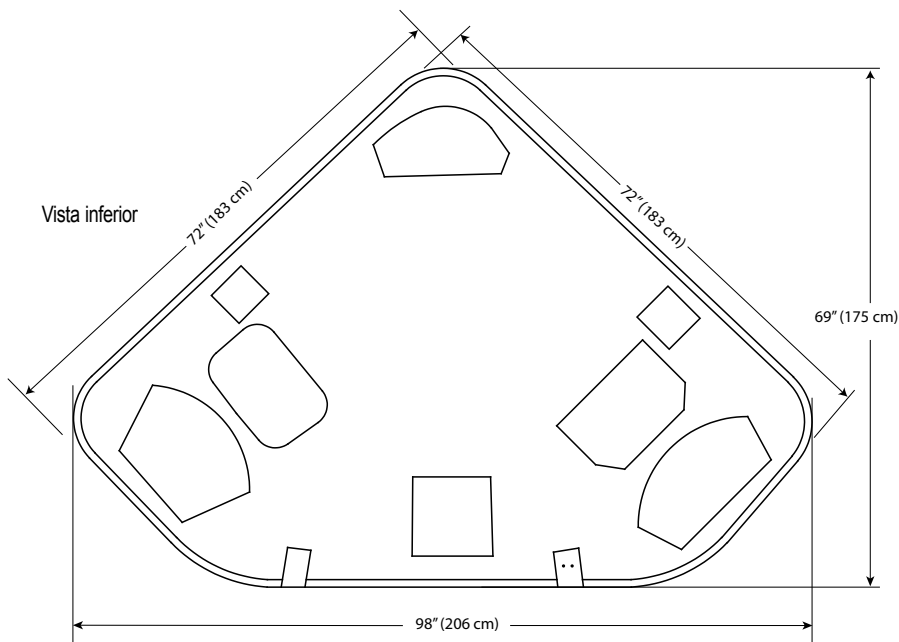
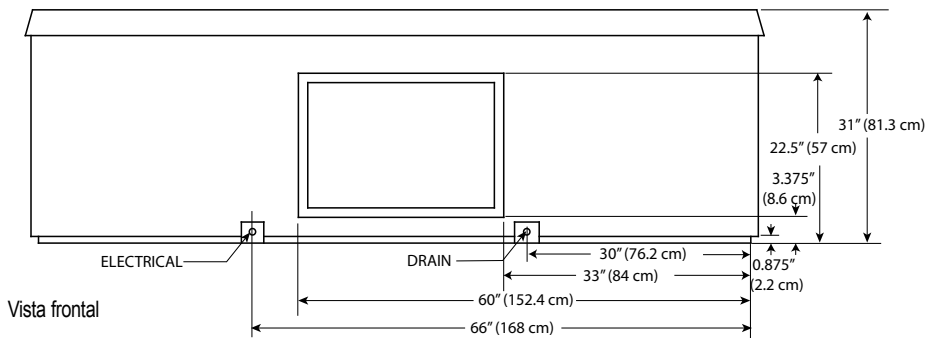


LATERAL DE LA PUERTA

# LS300 PLUS

## Dimensiones

**NOTA: todas las dimensiones son aproximadas; mida su spa antes de tomar decisiones fundamentales, tanto sobre el diseño como sobre los accesos.**

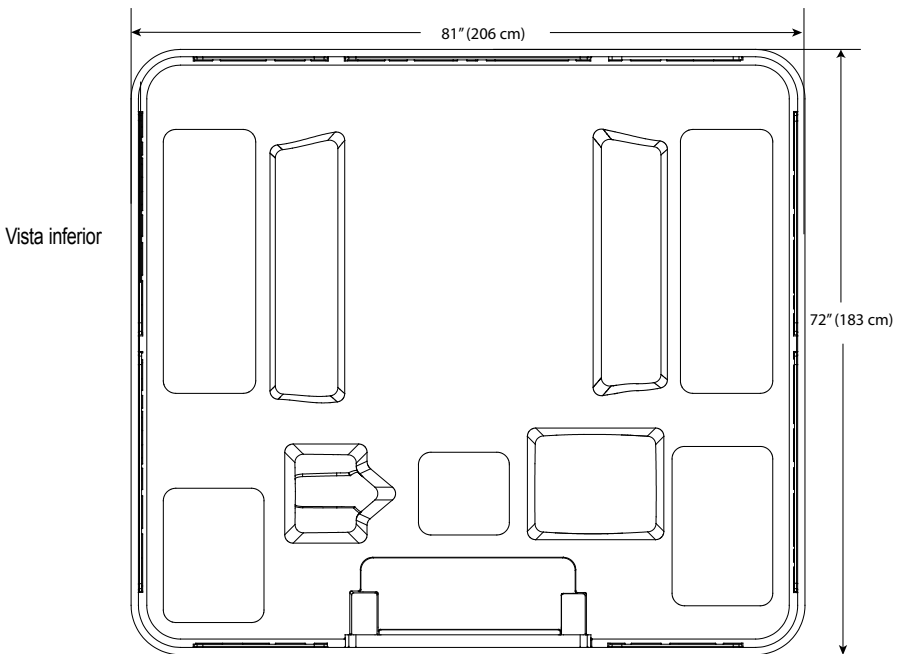
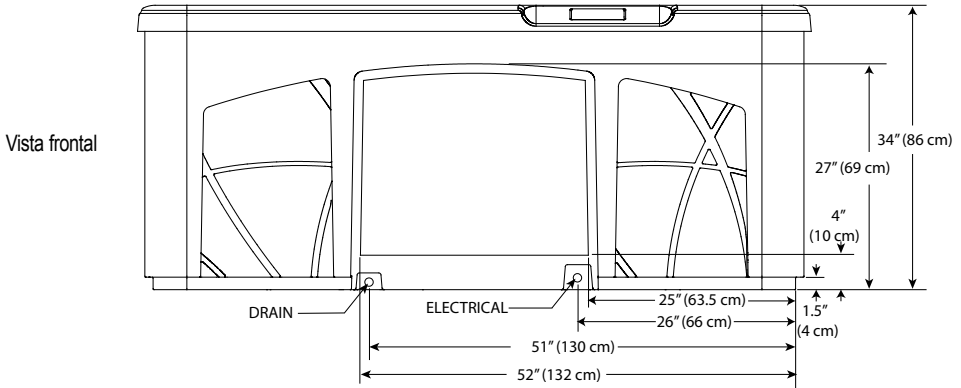


LATERAL DE LA PUERTA

# LS350DX/PLUS

## Dimensiones

**NOTA: todas las dimensiones son aproximadas; mida su spa antes de tomar decisiones fundamentales, tanto sobre el diseño como sobre los accesos.**

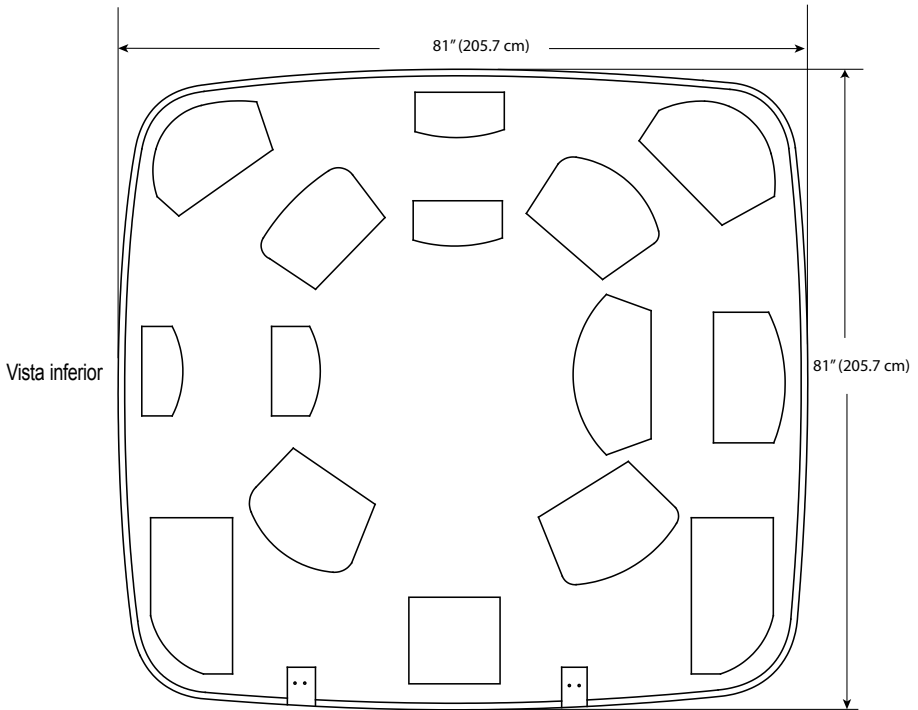
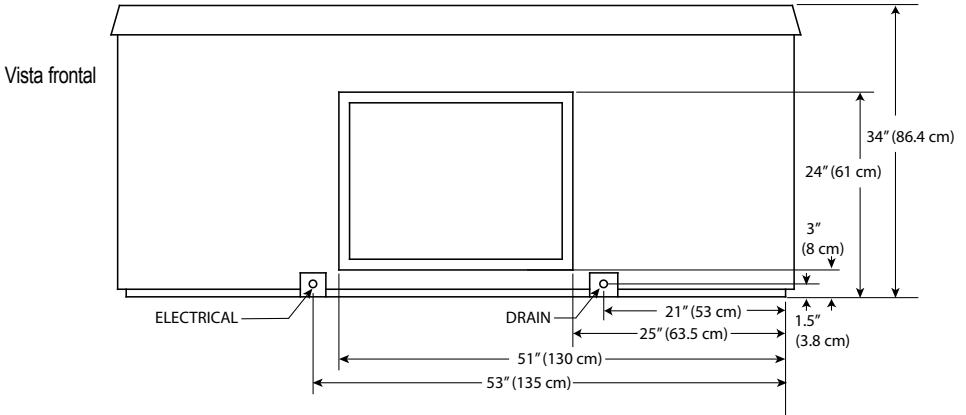


LATERAL DE LA PUERTA

# LS450DX

## Dimensiones

**NOTA: todas las dimensiones son aproximadas; mida su spa antes de tomar decisiones fundamentales, tanto sobre el diseño como sobre los accesos.**

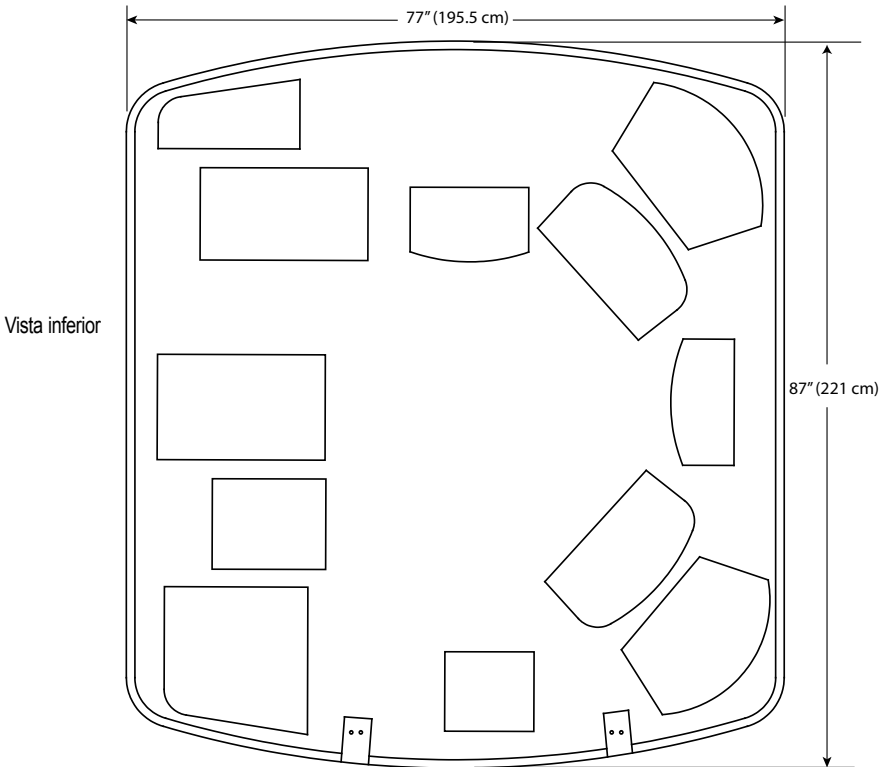
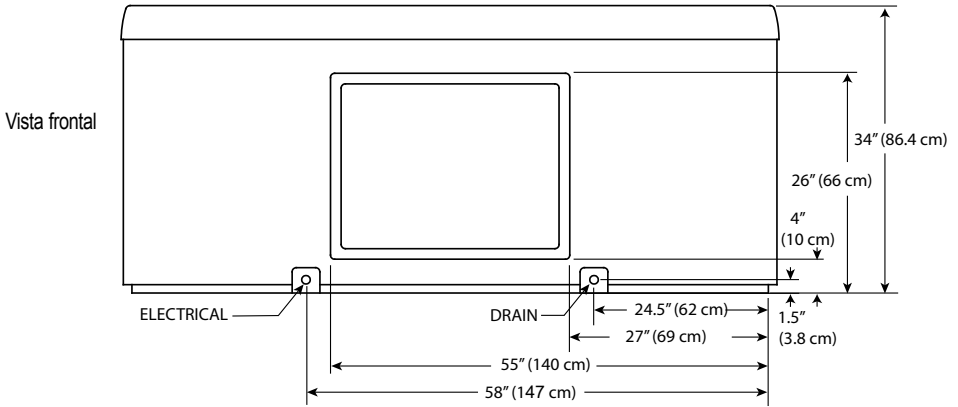


LADO DE LA PUERTA

# LS500PLUS/550PLUS

## Dimensiones

**NOTA: todas las dimensiones son aproximadas; mida su spa antes de tomar decisiones fundamentales, tanto sobre el diseño como sobre los accesos.**



LATERAL DE LA PUERTA



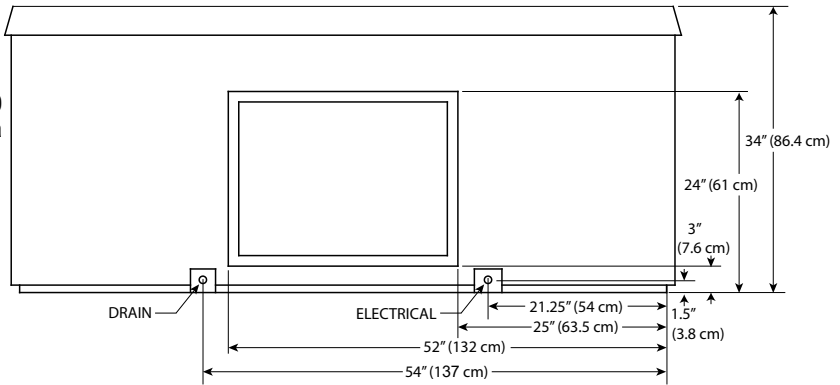
# LS600DX/700DX

## Dimensiones

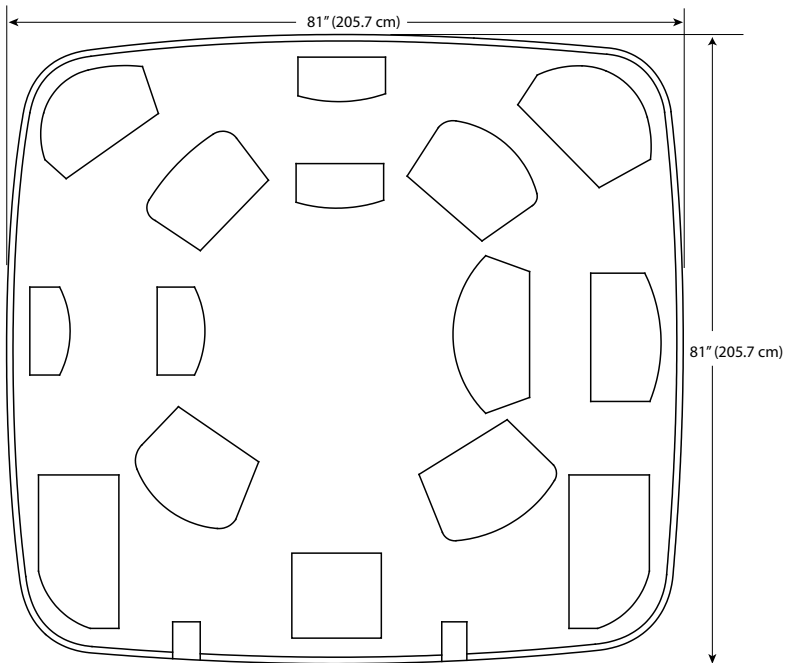
**NOTA: todas las dimensiones son aproximadas; mida su spa antes de tomar decisiones fundamentales, tanto sobre el diseño como sobre los accesos.**

Vista frontal

NOTA: el LS700 tiene una puerta secundaria que no se ilustra



Vista inferior

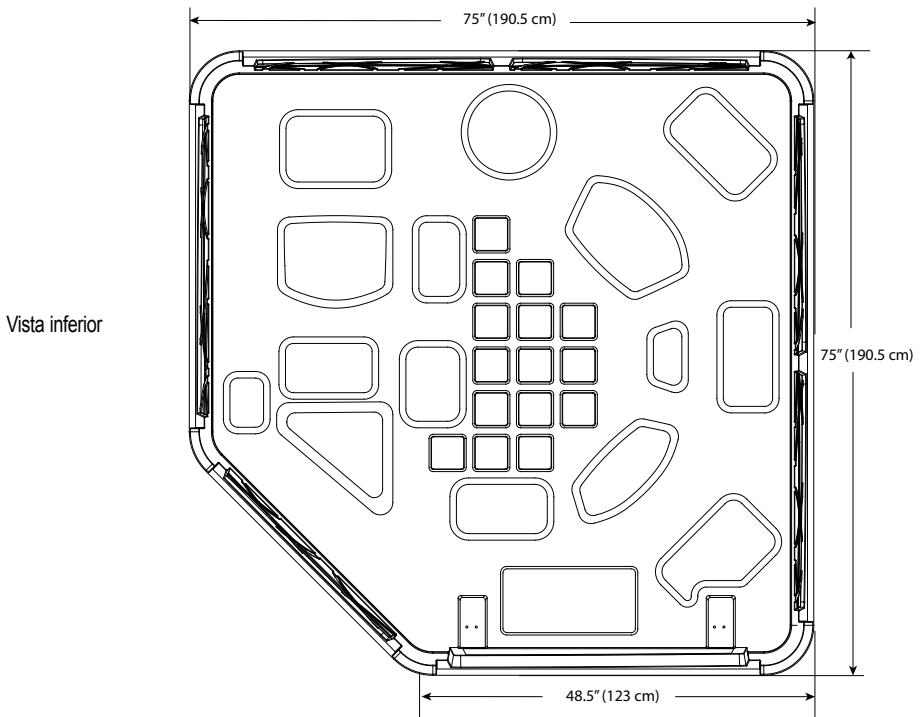
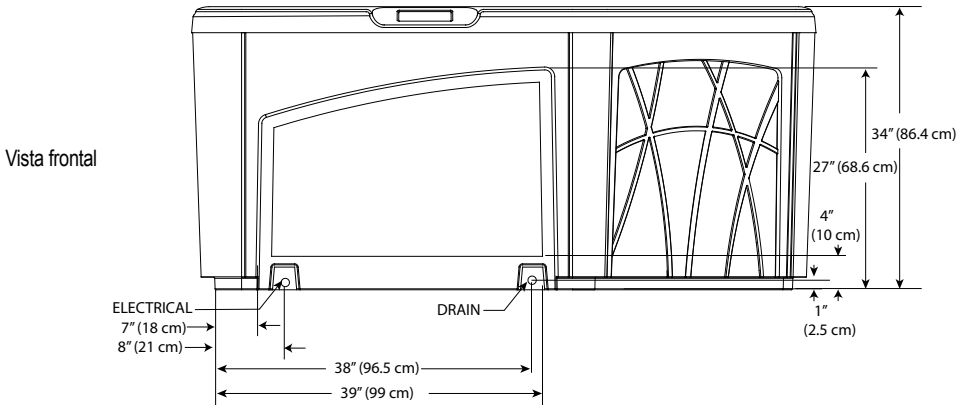


LADO DE LA PUERTA

# SERENO

## Dimensiones

**NOTA: todas las dimensiones son aproximadas; mida su spa antes de tomar decisiones fundamentales, tanto sobre el diseño como sobre los accesos.**

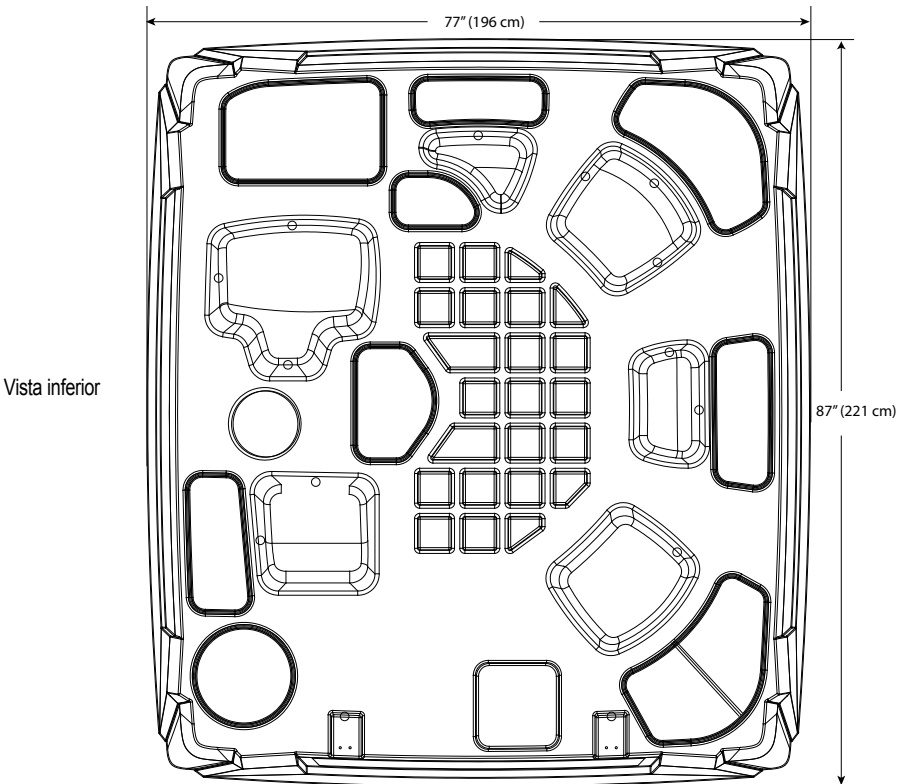
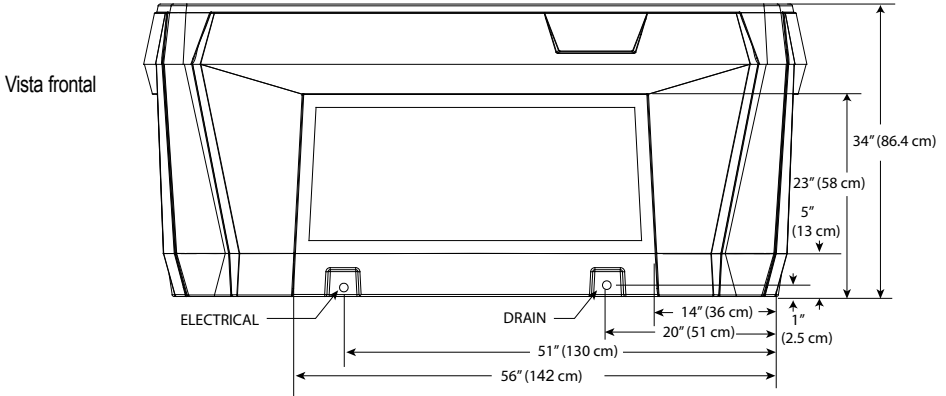


LATERAL DE LA PUERTA

# TIERRA

## Dimensiones

**NOTA: todas las dimensiones son aproximadas; mida su spa antes de tomar decisiones fundamentales, tanto sobre el diseño como sobre los accesos.**

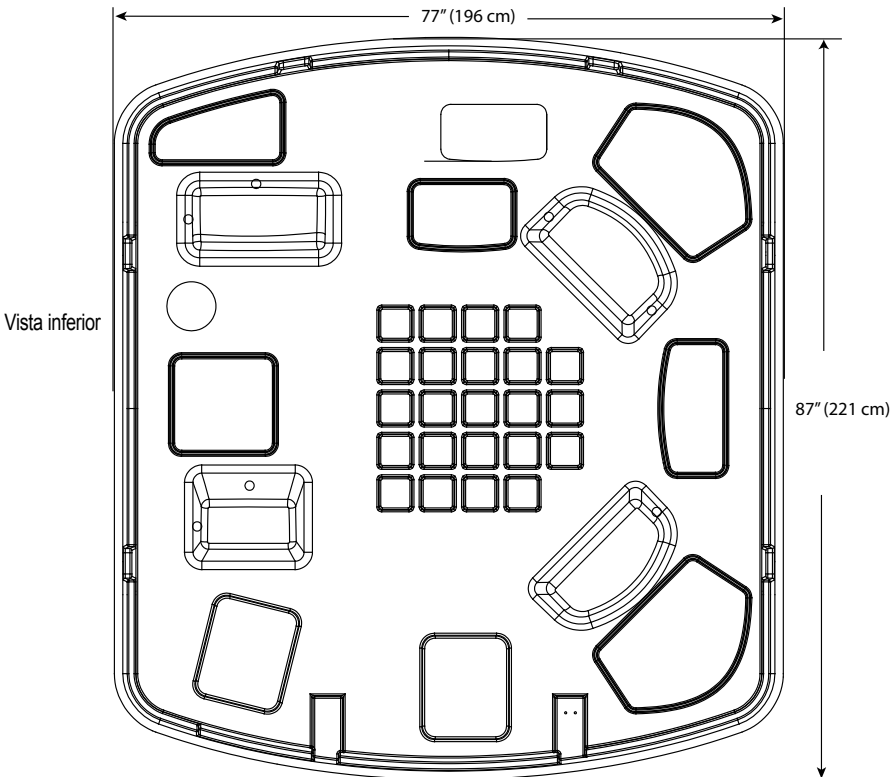
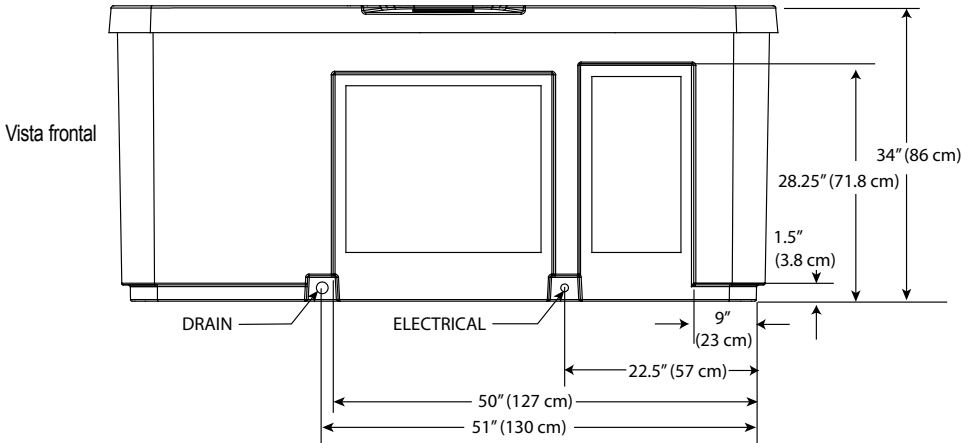


LATERAL DE LA PUERTA

# LEGANZA

## Dimensiones

**NOTA: todas las dimensiones son aproximadas; mida su spa antes de tomar decisiones fundamentales, tanto sobre el diseño como sobre los accesos.**



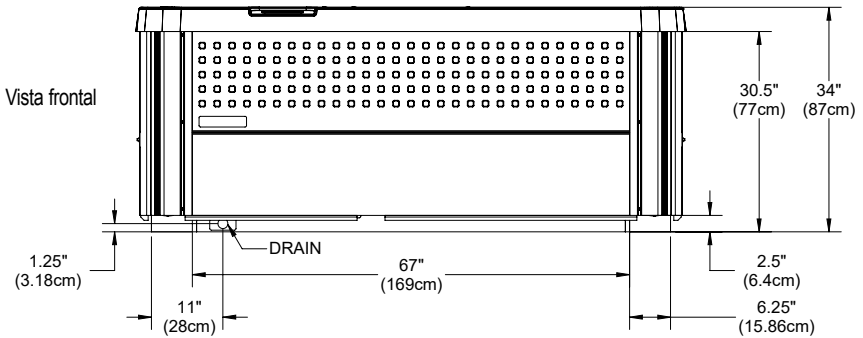
LATERAL DE LA PUERTA

# SAUCE

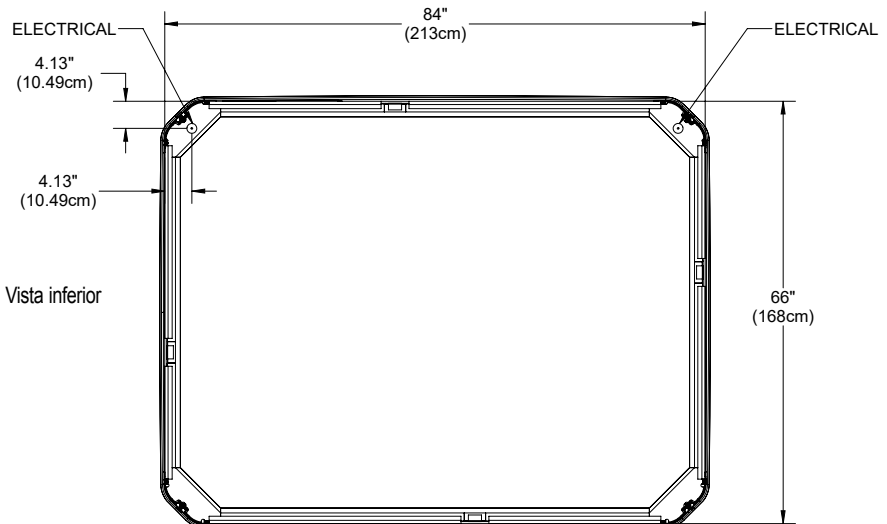
## LSA-510L

### Dimensiones

**NOTA: todas las dimensiones son aproximadas; mida su spa antes de tomar decisiones fundamentales, tanto sobre el diseño como sobre los accesos.**



### DOOR SIDE

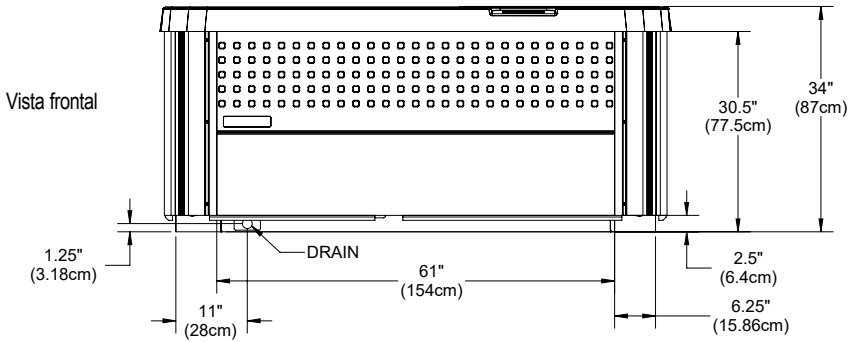


# ACACIA L Y NL

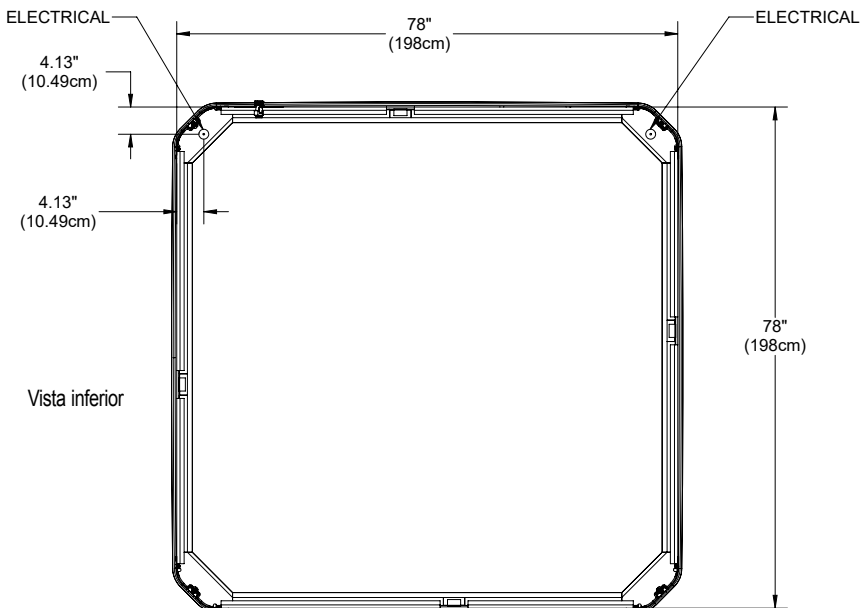
## LSA-620L Y LSA-620

### Dimensiones

**NOTA: todas las dimensiones son aproximadas; mida su spa antes de tomar decisiones fundamentales, tanto sobre el diseño como sobre los accesos.**



### DOOR SIDE

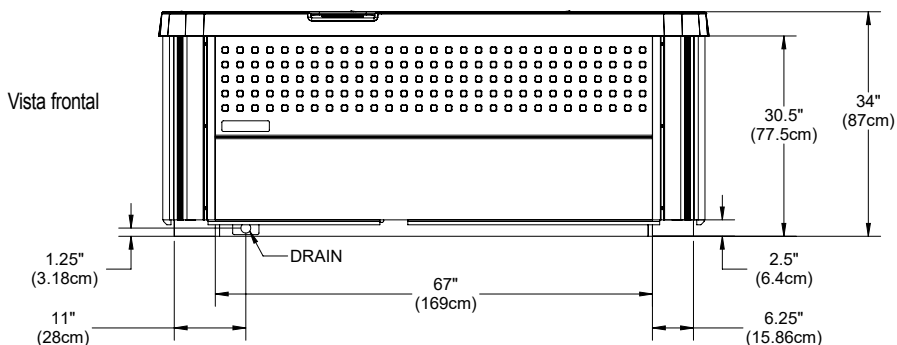


# PALMETTO L Y NL

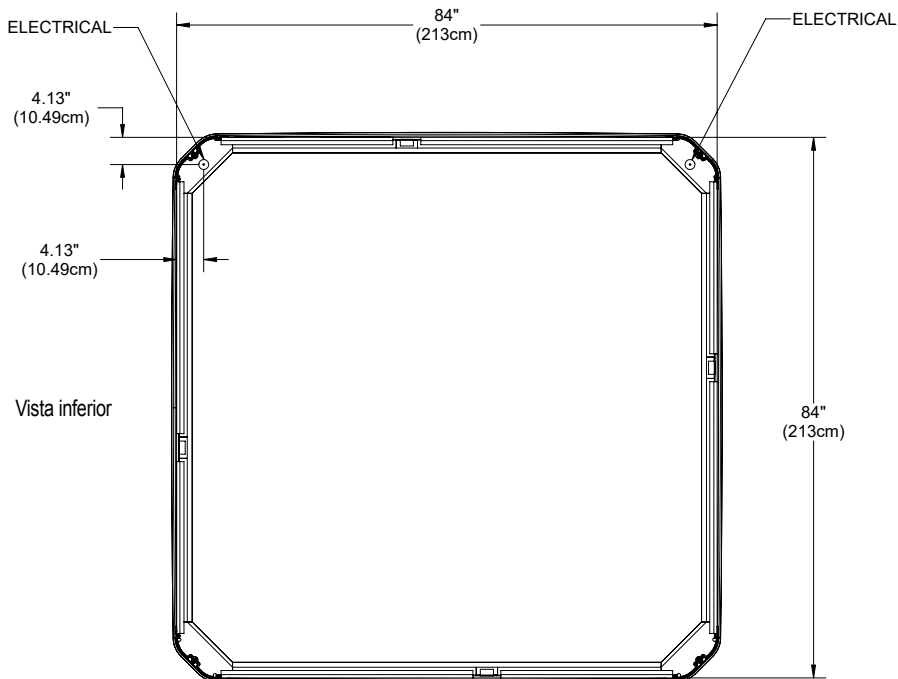
## LSA-720L Y LSA-720

### Dimensiones

**NOTA: todas las dimensiones son aproximadas; mida su spa antes de tomar decisiones fundamentales, tanto sobre el diseño como sobre los accesos.**



### DOOR SIDE



# REQUISITOS ELÉCTRICOS

Para asegurarse de que podrá utilizar el spa después de su envío, es muy importante haber instalado el servicio eléctrico requerido. ESTO ES RESPONSABILIDAD SUYA.

**IMPORTANTE:** todos los circuitos eléctricos deben ser instalados por un técnico electricista cualificado y con licencia.

Algunos modelos de spa están disponibles en sistemas de calefacción convertibles de 115 o 230 voltios. Los modelos vienen de fábrica y de serie como sistemas de calefacción de 115 voltios; sin embargo, pueden convertirse a 230 voltios añadiendo un subpanel y una caja de control con cambio de cableado. Consulte los siguientes apartados para el funcionamiento eléctrico a 115 voltios y la conversión a 230 voltios.

## REQUISITOS PARA EL FUNCIONAMIENTO A 115 V 15 AMPERIOS

Modelos Sereno y Willow (LSA-510L): el calentador proveerá aproximadamente 1000 vatios de calor solo si la bomba funciona a BAJA velocidad y el termostato requiere calor. **NOTA:** el calentador no funcionará si la bomba marcha a alta velocidad.

Se recomienda encarecidamente que los modelos del spa de 115 V esté a 15 amperios, con un circuito de 115 voltios.

Todos los modelos de 115 voltios vienen equipados con un cable de electricidad de aproximadamente 13 pies (4 m) de uso. (Esta es la longitud máxima permitida por ETL). Una vez que el spa esté instalado, el cable saldrá del fondo del compartimiento del equipo.

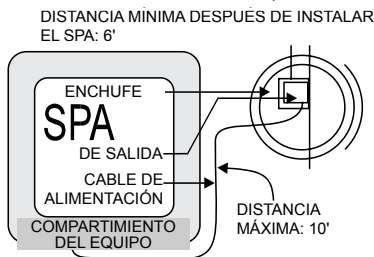
Además de los 15 amperios y un circuito protegido GFCI de 115 voltios, su spa necesitará un receptáculo individual de 15 amperios. Este receptáculo deberá contener una placa de cubierta de receptáculo clasificada para exteriores y resistente a la meteorología. El receptáculo suelto y la placa de la cubierta deben estar instalados antes del envío del spa.

Por su seguridad, permanezca a una distancia de al menos 6 pies (1,8 m) y no más lejos de diez pies (3 m) cuando el electricista instale la salida eléctrica en el spa. (Referencia: código de electricidad nacional)

**ADVERTENCIA:** no conecte el spa a un cable alargador.

El enchufe GFCI de 115 voltios y el receptáculo deben estar protegidos de la meteorología y el irrigador exterior nunca puede mojarse.

Su spa ha sido cuidadosamente diseñado para proporcionar una seguridad máxima contra descargas eléctricas. Recuerde que la conexión del spa a un circuito con un cableado inadecuado anulará muchas de sus características de seguridad.



## CONVERSIÓN A 115 V 30 AMPERIOS (SOLO SERENO)

Ventajas de convertir un sistema 30 amperios: el calentador proporcionará aproximadamente 1000 vatios de calor cuando la bomba esté funcionando a velocidad BAJA o ALTA y el termostato indique que necesita calor.

Los modelos convertidos requieren un disyuntor de circuito de 30 amperios, monofásico y de 115 voltios, en el panel principal de servicio eléctrico.

Los spas convertidos deben cablearse de acuerdo con los códigos eléctricos aplicables a nivel nacional y local. Todo el trabajo eléctrico deberá realizarlo un electricista autorizado.

**NOTA:** ESTA CONVERSIÓN REQUIERE EL USO DE UN SUBPANEL PARA LA ALIMENTACIÓN ELÉCTRICA Y LA PROTECCIÓN DEL SPA. El subpanel con un disyuntor GFCI deberá adquirirse por separado.

## REQUISITOS PARA LA CONVERSIÓN DE 230 V Y 50 AMPERIOS

Beneficios de convertir un sistema a otro de 230 V y 50 amperios: el calentador proporcionará aproximadamente 4000 vatios de calor cuando la bomba esté funcionando a velocidad BAJA o ALTA y el termostato indique que necesita calor.

Todos los modelos de 230 V requieren un disyuntor de circuitos de 50 amperios, monofásico y de 230 V en el panel principal de servicio eléctrico.

Todos los spas convertidos deben cablearse de acuerdo con los códigos eléctricos aplicables a nivel nacional y local. Todo el trabajo eléctrico deberá realizarlo un electricista autorizado.

**NOTA:** ESTA CONVERSIÓN REQUIERE EL USO DE UN SUBPANEL PARA LA ALIMENTACIÓN ELÉCTRICA Y LA PROTECCIÓN DEL SPA. El subpanel con un disyuntor GFCI deberá adquirirse por separado.



Un electricista autorizado deberá instalar un servicio de cuatro cables (dos líneas de voltaje, una neutra y otra a tierra) que vayan del panel principal eléctrico al subpanel y de este al spa, tal y como indica el diagrama de cableado adecuado mostrado a continuación.

El electricista deberá montar el subpanel cerca del spa pero no a menos de cinco (5) pies del borde del agua del spa.

**NOTA DE LA INSTALACIÓN:** una vez que se ha instalado el spa, el electricista ya podrá conectar el conducto que va del subpanel a la caja de control del spa y luego completar las conexiones de cables en dicha caja de control.

**NOTA:** toda la instalación paso a paso y las instrucciones de cableado para la configuración a 230 V están incluidas en el manual de usuario y en cada subpanel.

**ADVERTENCIA:** extraer o desactivar el disyuntor GFCI en el subpanel afectará a la seguridad del spa y anulará la garantía.

**NOTA DE ESPECIFICACIÓN DEL CABLE:** un largo recorrido eléctrico puede necesitar un cable de alimentación más largo que el colocado. Los cableados deben ser de cobre para garantizar las conexiones adecuadas. No utilice cables de aluminio.

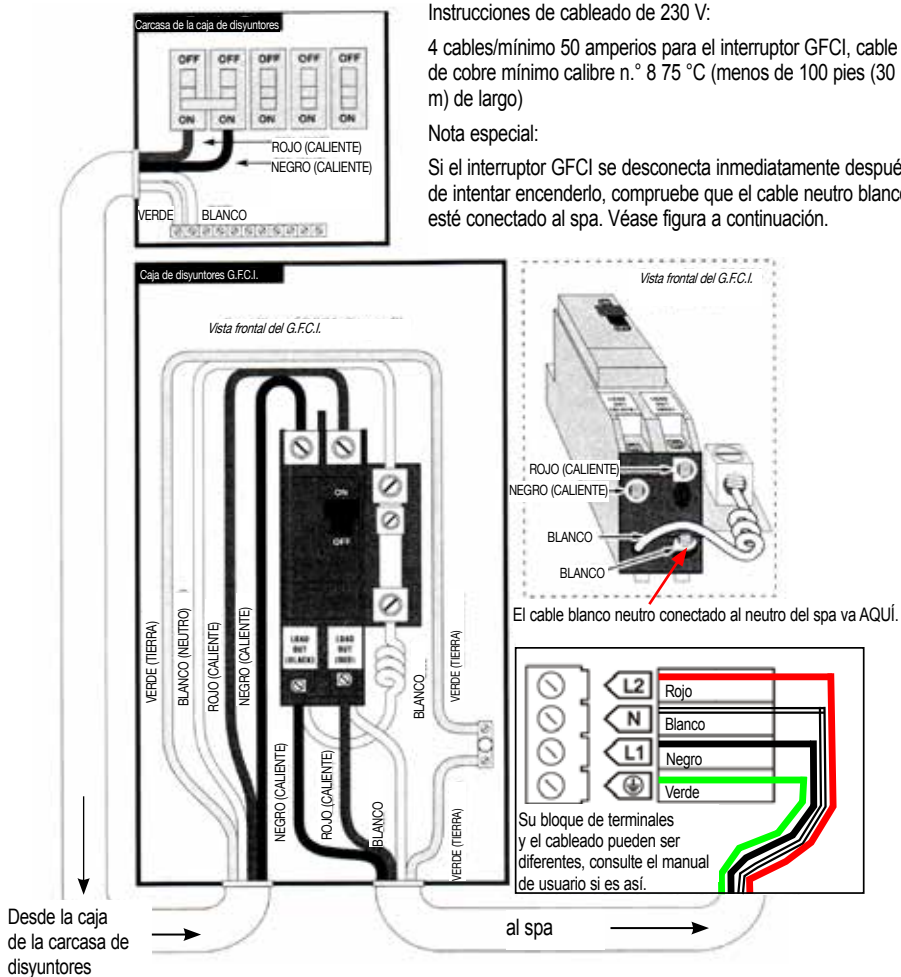
Consulte los cableados de diagramas a continuación para ver los requisitos eléctricos de los modelos de 230 voltios.

Instrucciones de cableado de 230 V:

4 cables/mínimo 50 amperios para el interruptor GFCI, cable de cobre mínimo calibre n.º 8 75 °C (menos de 100 pies (30 m) de largo)

Nota especial:

Si el interruptor GFCI se desconecta inmediatamente después de intentar encenderlo, compruebe que el cable neutro blanco esté conectado al spa. Véase figura a continuación.



# Especificaciones del spa

Modelo de spa (Asientos)	Alcance de la huella de carbono	Altura	Área de filtrado efectivo	Calentador (vatios)	Capacidad de agua	Peso seco	Peso lleno*	Requisitos eléctricos
<b>LS100/DX</b> (4 personas)	70" x 61"	32"	50 pies <sup>2</sup>	Recuperación del calor	205 gal	265 lbs 270 lbs	2651 lbs 2656 lbs	115 voltios, 15 amperios circuito protegido por GFCI
<b>LS200/DX</b> (4 personas)	66" x 77"	29"	25 pies <sup>2</sup>	Recuperación del calor	220 gal	250 lbs	2805 lbs	115 voltios, 15 amperios circuito protegido por GFCI
<b>LS300 PLUS</b> (2 personas)	72" x 72"	31"	50 pies <sup>2</sup>	Recuperación del calor	195 gal	270 lbs	2264 lbs	115 voltios, 15 amperios circuito protegido por GFCI
<b>LS350DX/PLUS</b> (5 personas)	72" x 81"	34"	50 pies <sup>2</sup>	Recuperación del calor	300 gal	420 lbs 440 lbs	3824 lbs 3844 lbs	115 voltios, 15 amperios circuito protegido por GFCI
<b>LS450DX</b> (7 personas)	81" x 81"	34"	50 pies <sup>2</sup>	Recuperación del calor	300 gal	460 lbs	4214 lbs	115 voltios, 15 amperios circuito protegido por GFCI
<b>LS500 PLUS</b> (6 personas)	77" x 87"	34"	50 pies <sup>2</sup>	Recuperación del calor	290 gal	440 lbs	3935 lbs	115 voltios, 15 amperios circuito protegido por GFCI
<b>LS550 PLUS</b> (6 personas)	77" x 87"	34"	50 pies <sup>2</sup>	4000	300 gal	460 lbs	4039 lbs	230 voltios, 50 amperios, circuito protegido por GFCI
<b>LS600DX</b> (7 personas)	81" x 81"	34"	50 pies <sup>2</sup>	4000	300 gal	480 lbs	4234 lbs	230 voltios, 50 amperios, circuito protegido por GFCI
<b>LS700DX</b> (7 personas)	81" x 81"	34"	50 pies <sup>2</sup>	4000	300 gal	500 lbs	4254 lbs	230 voltios, 50 amperios, circuito protegido por GFCI
<b>**SERENO™</b> (4 personas)	75" x 75"	34"	50 pies <sup>2</sup>	1000 o 4000	275 gal	400 lbs	3418 lbs	115 voltios, 15 amperios o 230 voltios, 50 amperios Protección GFCI circuito
<b>TIERRA™</b> (5 personas)	77" x 87"	34"	50 pies <sup>2</sup>	4000	340 gal	430 lbs	4171 lbs	230 voltios, 50 amperios Protección GFCI circuito
<b>LEGANZA™</b> (6 personas)	77" x 87"	34"	50 pies <sup>2</sup>	4000	305 gal	480 lbs	4101 lbs	230 voltios, 50 amperios, circuito protegido por GFCI

**PRECAUCIÓN: WATKINS WELLNESS** sugiere que se consulte a un ingeniero o a un constructor antes de colocar un spa sobre una terraza elevada.

\* **NOTA:** el "peso lleno" del spa incluyen el peso de los ocupantes (asumiendo un peso medio por ocupante de 175 lbs).

\*\* Este spa puede convertirse a 115 V 30 amperios, y requieren un servicio de 30 amperios.

# Especificaciones del spa, continuación

Modelo de spa (Asientos)	Alcance de la huella de carbono	Altura	Área de filtrado efectivo	Calentador (vatios)	Capacidad de agua	Peso seco	Peso lleno*	Requisitos eléctricos
<b>Sauce</b> <i>LSA-510L</i> (3 personas)	66" x 84"	34"	50 pies <sup>2</sup>	1000 o 4000	217 gal	582 lbs	2936 lbs	115 voltios, 15 amperios o 230 voltios y 50 amperios circuito protegido por GFCI
<b>Acacia L</b> <i>LSA-620L</i> (5 personas)	78" x 78"	34"	50 pies <sup>2</sup>	4000	255 gal	683 lbs	3708 lbs	230 voltios, 50 amperios, circuito protegido por GFCI
<b>Acacia NL</b> <i>LSA-620</i> (7 personas)	78" x 78"	34"	50 pies <sup>2</sup>	4000	268 gal	681 lbs	4165 lbs	230 voltios, 50 amperios, circuito protegido por GFCI
<b>Palmetto L</b> <i>LSA-720L</i> (6 personas)	84" x 84"	34"	50 pies <sup>2</sup>	4000	322 gal	807 lbs	4,571 lb	230 voltios, 50 amperios, circuito protegido por GFCI
<b>Palmetto NL</b> <i>LSA-720</i> (7 personas)	84" x 84"	34"	50 pies <sup>2</sup>	4000	346 gal	805 lbs	4947 lbs	230 voltios, 50 amperios, circuito protegido por GFCI

**PRECAUCIÓN: WATKINS WELLNESS** sugiere que se consulte a un ingeniero o a un constructor antes de colocar un spa sobre una terraza elevada.

\* **NOTA:** el "peso lleno" del spa incluyen el peso de los ocupantes (asumiendo un peso medio por ocupante de 175 lbs).



1280 Park Center Drive

Vista, California 92081

(888) 961-7727

Correo electrónico: [AHSService@watkinsmfg.com](mailto:AHSService@watkinsmfg.com)

©2024 WATKINS WELLNESS.





***Nous vous félicitons d'avoir acheté un spa Lifesmart.  
Bienvenue dans la grande famille des heureux propriétaires de spas  
Lifesmart !***



## ***Guide de pré-livraison***

Veillez prendre le temps de lire cette brochure avec soin, car elle vous fournira les informations dont vous aurez besoin pour garantir l'installation sécurisée et rapide de votre nouveau spa. Les sections suivantes indiquent comment se préparer à la livraison et la configuration de votre nouveau spa. Vous trouverez la sélection de site, l'accès pour la livraison, la préparation du sol et les exigences électriques.

N'oubliez pas de lire soigneusement le manuel d'utilisation qui accompagne votre spa. Vous le trouverez dans le kit fourni au propriétaire.

Watkins Wellness™ se réserve le droit de modifier les spécifications ou le modèle sans préavis ni obligation quelconque.

DATE D'ACHAT : \_\_\_\_\_

Dans la plupart des localités, il est nécessaire de demander un permis pour l'installation de circuits électriques ou la construction de bâtiments extérieurs (terrasses et belvédères). De plus, certaines communautés imposent des codes régissant la délimitation des propriétés par des clôtures ou des barrières à fermeture automatique afin d'empêcher les enfants de moins de cinq ans d'accéder à une piscine (ou à un spa) sans surveillance. Votre spa est équipé d'une couverture verrouillable, conforme à la norme de sécurité américaine ASTM F1346. Aussi échappe-t-il fréquemment à cette obligation de clôture. D'une manière générale, toutes les exigences en vigueur concernant la clôture des propriétés vous seront communiquées par les autorités locales lorsque vous demanderez le permis d'installation d'un circuit électrique.

**Pour le service clientèle, veuillez appeler le (888) 961-7727**

# Sélection et préparation du site

**IMPORTANT** : vous êtes responsable de la sélection et de la préparation du site. Lisez soigneusement ces instructions et consultez votre revendeur autorisé si vous avez des questions.

Vous avez probablement déjà choisi un endroit pour votre nouveau spa, qu'il s'agisse d'un site intérieur ou extérieur, d'un patio ou d'une terrasse. Il vous suffit de vérifier les points suivants :

- Installez toujours votre spa sur une surface solide et plane 1/2" pour 10' (1 cm pour 3 m). Un spa rempli peut peser des centaines de kilos. Assurez-vous que le site choisi est capable de supporter un tel poids.
- Installez le bloc technique, contenant tous les composants électriques, dans un endroit permettant l'évacuation de l'eau. La pénétration d'eau dans le bloc technique risque d'endommager les composants électroniques ou de déclencher le disjoncteur de votre habitation.
- Assurez-vous de disposer d'un accès aisé aux disjoncteurs dans le tableau électrique secondaire (modèles de 230 volts) ou vers le disjoncteur différentiel sur le côté du câble d'alimentation (modèles de 115 volts).
- Ne laissez jamais pénétrer d'eau dans le tableau électrique secondaire (modèles de 230 volts) ou dans le disjoncteur différentiel (modèles de 115 volts) ou dans la prise électrique sur laquelle le spa est branché.
- Prévoyez un espace près du bloc technique afin de pouvoir nettoyer et entretenir les équipements de votre spa de façon périodique.

## INSTALLATION EN PLEIN AIR ET SUR UN PATIO

Quel que soit l'endroit choisi pour installer votre nouveau spa, il est important qu'il soit monté sur de solides fondations. Les dommages structurels du spa provenant d'une installation incorrecte ou d'un placement sur des fondations inappropriées, ne sont pas couverts par la garantie limitée du spa.

Si vous installez votre spa à l'extérieur, nous vous suggérons de le placer sur une dalle en béton armé d'une épaisseur minimum de quatre pouces (10 cm). La tige ou la grille d'armature de la dalle doit être fixée à un fil de connexion. Tous les spas peuvent être installés sur une terrasse, à condition que la capacité de charge de la terrasse soit supérieure au poids mort du spa .

## INSTALLATION SUR UNE TERRASSE

Pour être certain que votre terrasse peut supporter le poids de votre spa, il est indispensable que vous connaissiez la charge maximale de cette terrasse. **Consultez un maçon qualifié ou un ingénieur civil avant de placer le spa sur une terrasse élevée ou à l'intérieur.** Pour déterminer le poids de votre spa, de son contenu, de sa capacité, reportez-vous au tableau des spécifications des spas à l'intérieur de la page de dos de ce guide. Le poids par pied carré ne doit pas dépasser la capacité nominale de la structure. Le non-respect de ces instructions risque d'entraîner des dommages importants.

## INSTALLATION EN INTÉRIEUR

Si vous voulez installer votre spa à l'intérieur, n'oubliez jamais certains éléments. L'eau va s'accumuler autour du spa. Les revêtements de sol environnants doivent donc pouvoir fournir une bonne adhérence, même lorsqu'ils sont humides. Choisissez par conséquent un dallage qui vous permette à la fois de ne pas glisser et d'évacuer facilement l'eau. Si vous construisez une nouvelle pièce pour installer votre spa, prévoyez l'aménagement d'un système de vidange au sol.

L'humidité du local sera plus élevée lorsque le spa sera installé. L'eau peut pénétrer dans la boiserie et engendrer la formation de champignons du bois, de moisissure ou d'autres problèmes. Vérifiez donc les effets de l'humidité ambiante sur le bois, le papier, etc. se trouvant déjà dans le local. Afin de réduire ces effets, il est recommandé de bien ventiler l'endroit où se trouve le spa. Un architecte peut vous aider à déterminer vos besoins en ventilation.

## **PRÉPARATION DU SOL**

Votre spa a été conçu pour fournir d'excellentes performances sur tous les types de surface communs de jardin. Bien qu'une dalle en béton constitue la meilleure solution pour les utilisations à long terme\*, d'autres fondations sont acceptables dans la mesure où la base de nivellement est préparée avant la livraison. Les trois fondations illustrées à droite sont des exemples d'alternatives pouvant être utilisées, à la place d'une dalle en béton, pour les spas installés sans belvédère ou autres accessoires.

**REMARQUE** : nous vous recommandons de mettre en place une dalle en béton armé d'au moins quatre pouces (10cm) d'épaisseur.

### **NOTES D'INSTALLATION :**

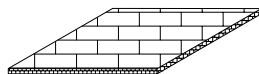
En tant que propriétaire, vous êtes tenu de fournir des fondations nivelées et appropriées au spa. N'oubliez pas que la plupart des équipes de livraison ne sont pas équipées pour niveler et préparer les sites d'installation des spas.

**REMARQUE** : vérifiez que le spa est bien horizontal (dans les 1/2" pour 10' (1 cm per 3 m) dès qu'il a été installé pour vous assurer qu'il fonctionnera correctement et que son système de plomberie interne pourra se vidanger complètement. Ne calez pas votre spa de manière quelconque, car ceci pourrait causer le gondolement de l'habillement et annuler ainsi la garantie.

#### **FONDATIONS POUR LES SPAS AVEC ACCESSOIRES**



**DALLES EN BÉTON**



**SURFACES EN BRIQUES**



**TERRASSE EN BOIS**

# LIVRAISON

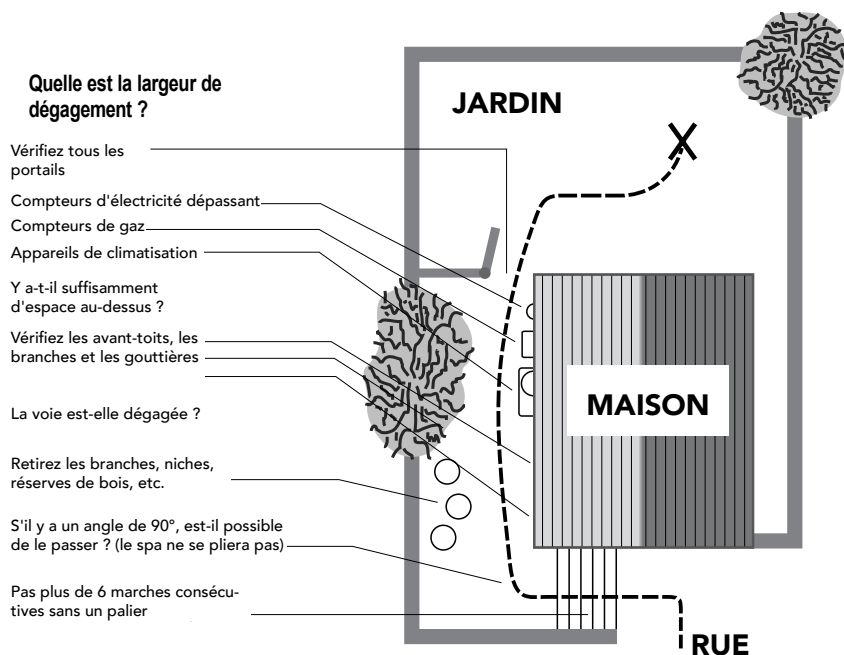
Votre spa sera livré au bout de votre allée. Il est livré sur son extrémité, emballé sur une palette robuste pour un positionnement commode. Vous serez responsable de tous les arrangements nécessaires pour placer votre spa à l'emplacement souhaité.

(Par exemple, les grues ne sont pas considérées en tant que « livraison normale ».) Il est recommandé de consulter des professionnels qui ont l'expérience de déplacer des objets volumineux.

## EXAMINEZ LE CHEMIN DE LA LIVRAISON DE VOTRE SPA :

Examinez soigneusement le chemin que votre spa prendra pour traverser votre résidence. Assurez-vous qu'il y a suffisamment d'espace. Gardez les dimensions globales à l'esprit lorsque votre spa est emballé sur une palette. Vous pouvez enlever le spa de la palette et le poser sur un diable à 4 roues pour le déplacer. Dans ce cas, vous aurez besoin d'un passage de 0,90 m de large avec un dégagement en hauteur d'environ 2,13 à 2,28 m. N'oubliez pas que le spa fera près de 2 m de long, alors vérifiez les dégagements pour tourner dans les coins.

**REMARQUE :** le spa vide peut peser jusqu'à 450 kg. Choisissez le chemin le plus sûr et le plus direct. Nous recommandons de faire appel à des professionnels pour éviter les blessures ou les dommages matériels.

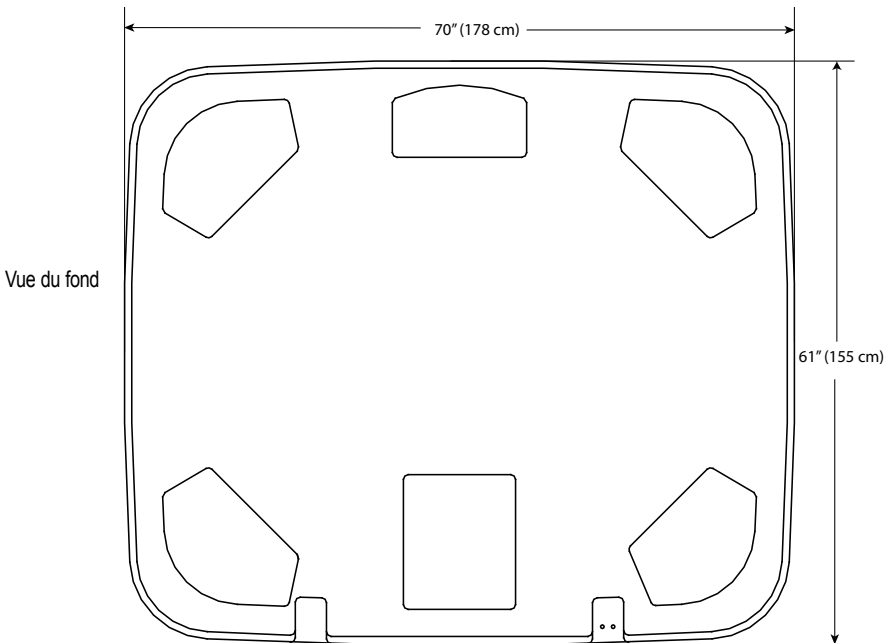
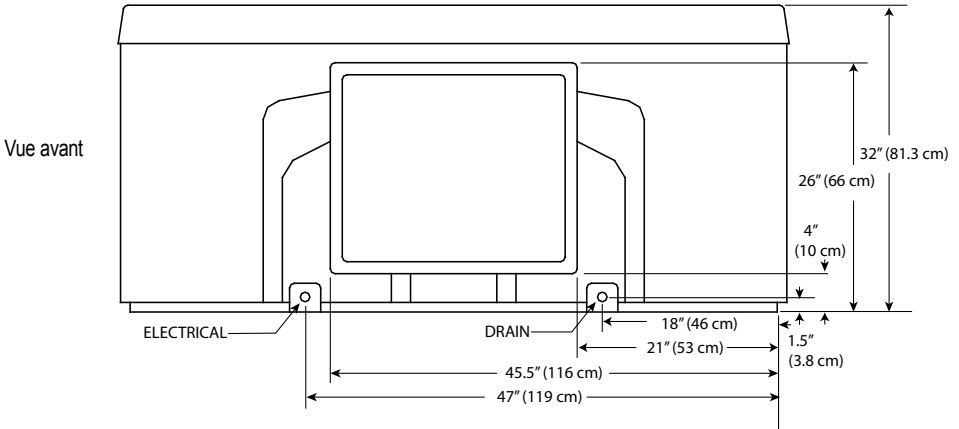




# LS100/DX

## Dimensions

**REMARQUE : toutes les dimensions sont approximatives ;  
mesurez votre spa avant de prendre des décisions ayant des  
implications importantes sur le design ou les trajectoires.**

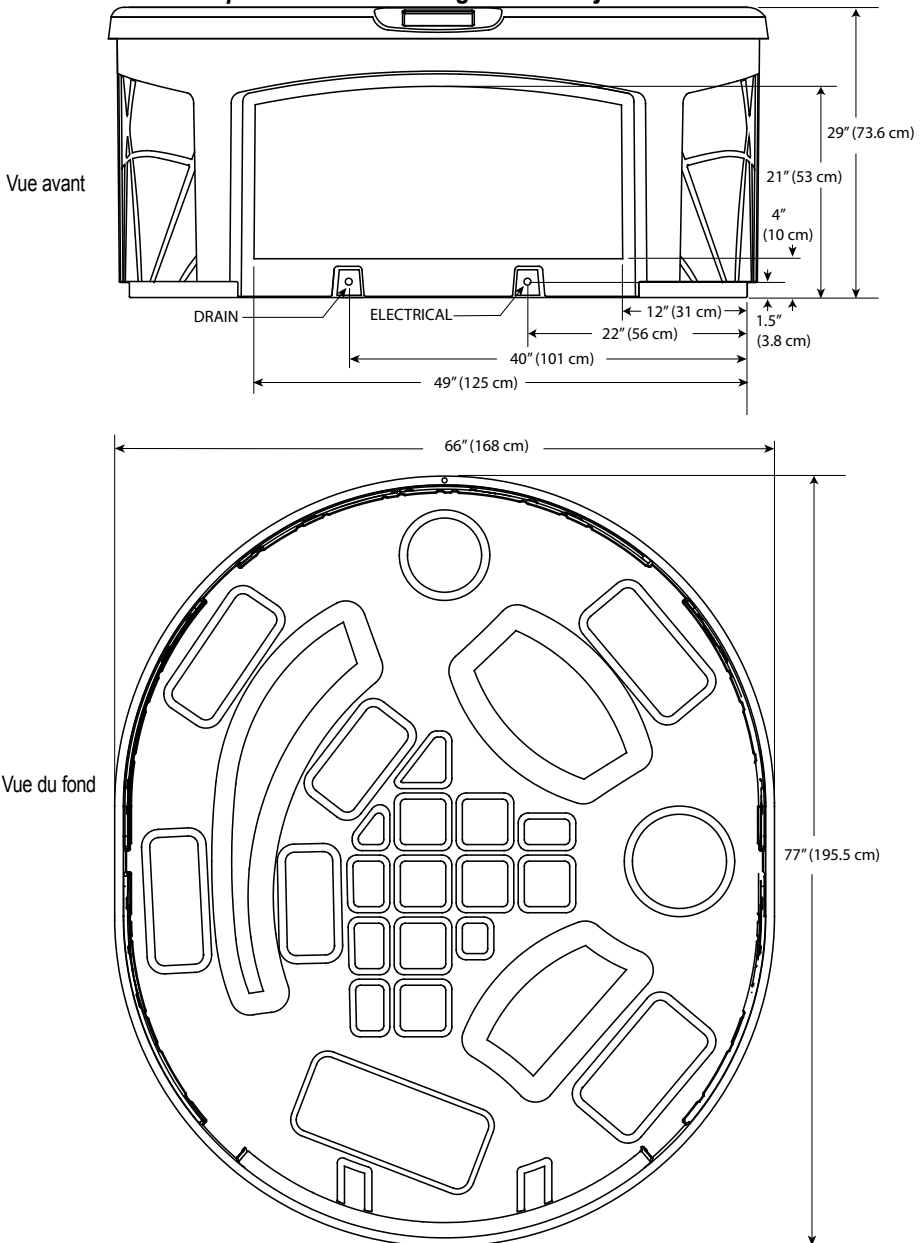


CÔTÉ DU PANNEAU

# LS200/DX

## Dimensions

**REMARQUE : toutes les dimensions sont approximatives ; mesurez votre spa avant de prendre des décisions ayant des implications importantes sur le design ou les trajectoires.**

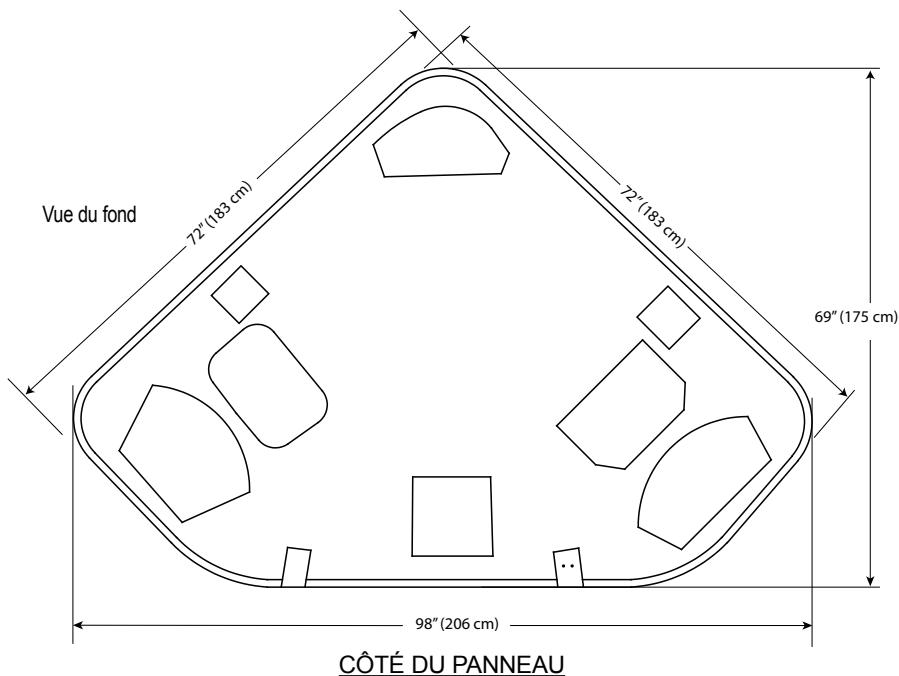
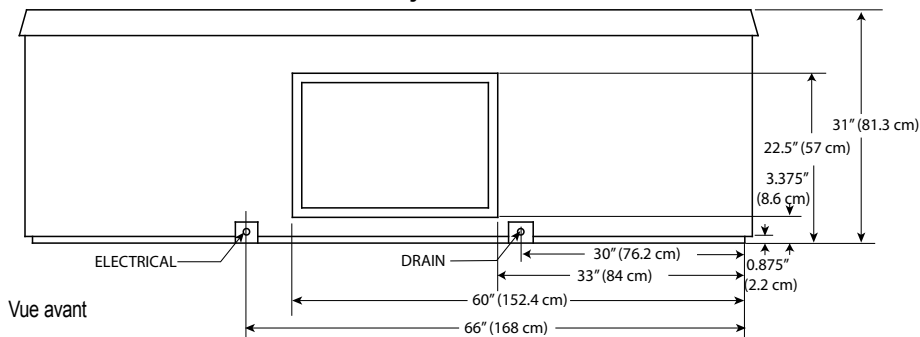


CÔTÉ DU PANNEAU

# LS300 PLUS

## Dimensions

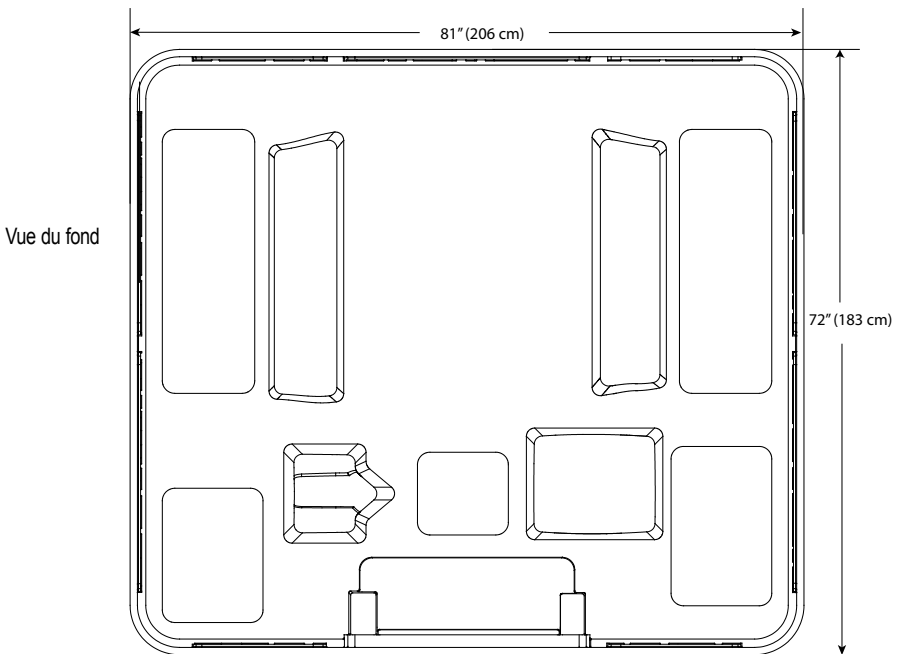
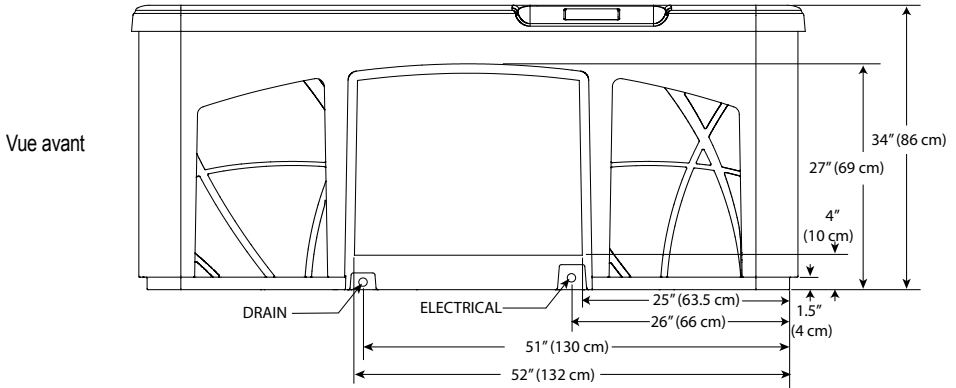
**REMARQUE : toutes les dimensions sont approximatives; mesurez votre spa avant de prendre des décisions ayant des implications importantes sur le design ou les trajectoires.**



# LS350DX/PLUS

## Dimensions

**REMARQUE : toutes les dimensions sont approximatives ;  
mesurez votre spa avant de prendre des décisions ayant des  
implications importantes sur le design ou les trajectoires.**

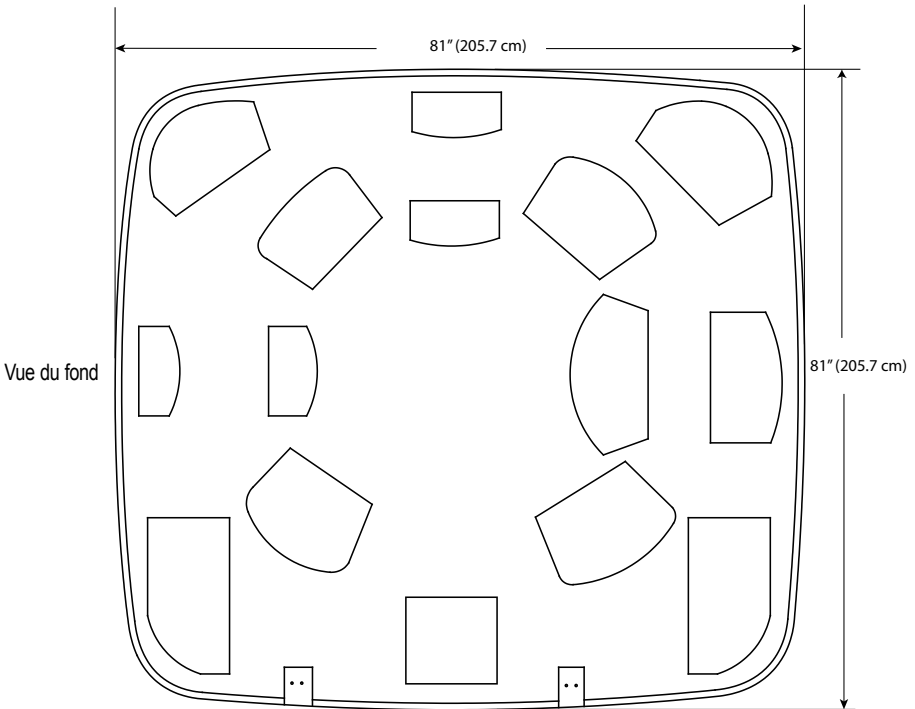
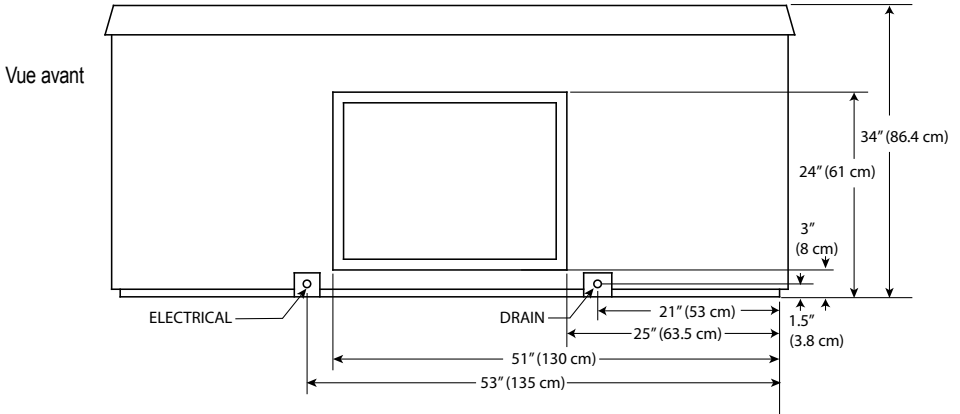


CÔTÉ DU PANNEAU

# LS450DX

## Dimensions

**REMARQUE : toutes les dimensions sont approximatives ;  
mesurez votre spa avant de prendre des décisions ayant des  
implications importantes sur le design ou les trajectoires.**

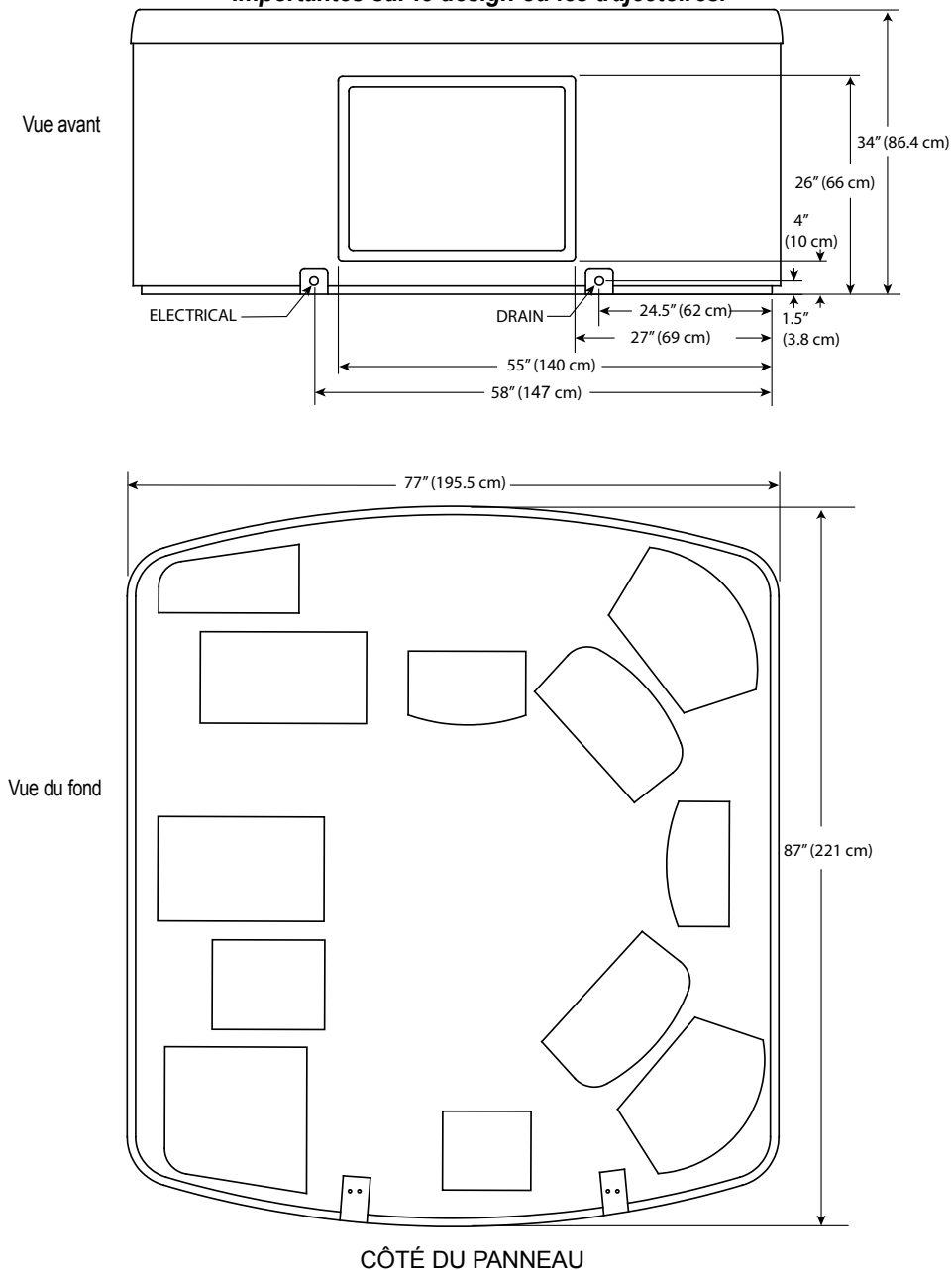


CÔTÉ DU PANNEAU

# LS500PLUS/550PLUS

## Dimensions

**REMARQUE : toutes les dimensions sont approximatives ; mesurez votre spa avant de prendre des décisions ayant des implications importantes sur le design ou les trajectoires.**



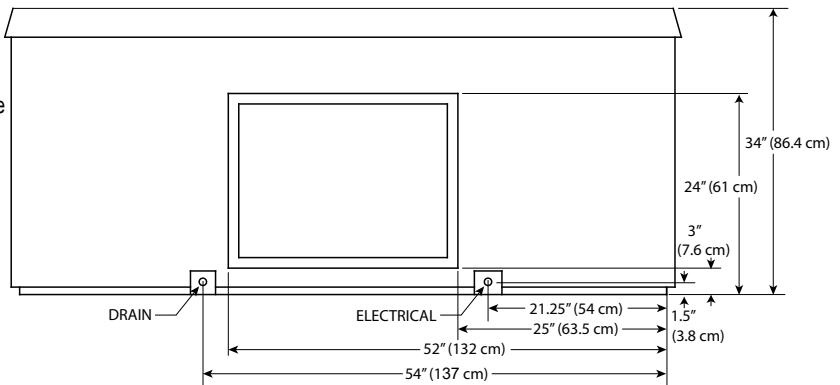
# LS600DX/700DX

## Dimensions

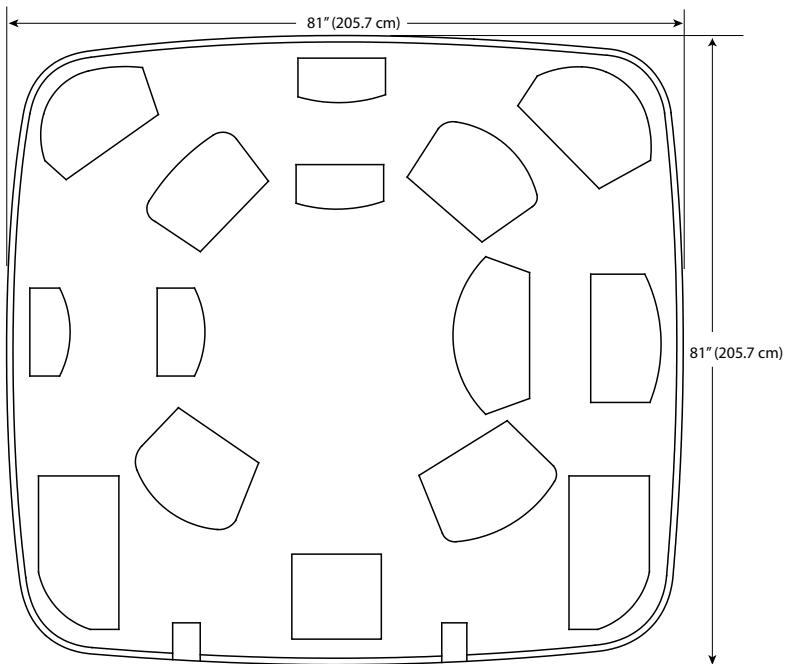
**REMARQUE : toutes les dimensions sont approximatives ;  
mesurez votre spa avant de prendre des décisions ayant des  
implications importantes sur le design ou les trajectoires.**

Vue avant

REMARQUE : le  
LS700 dispose  
d'un panneau  
secondaire non  
illustré



Vue du fond

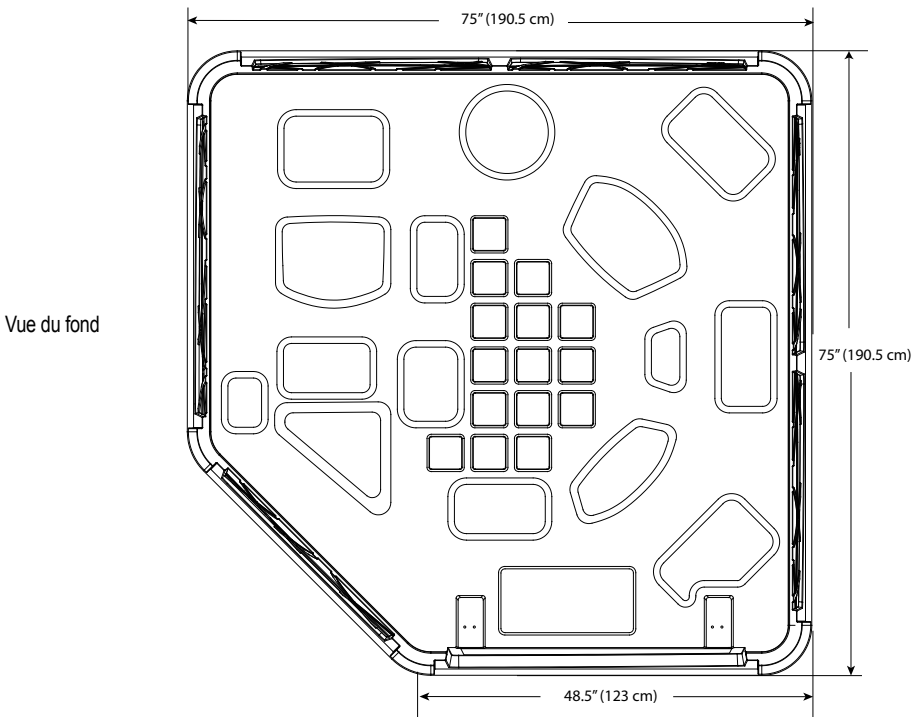
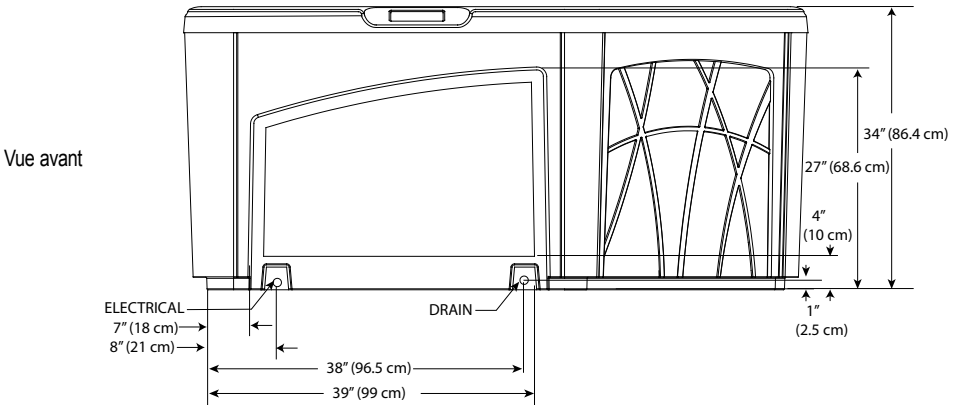


CÔTÉ DU PANNEAU

# SERENO

## Dimensions

**REMARQUE : toutes les dimensions sont approximatives ;  
mesurez votre spa avant de prendre des décisions ayant des  
implications importantes sur le design ou les trajectoires.**



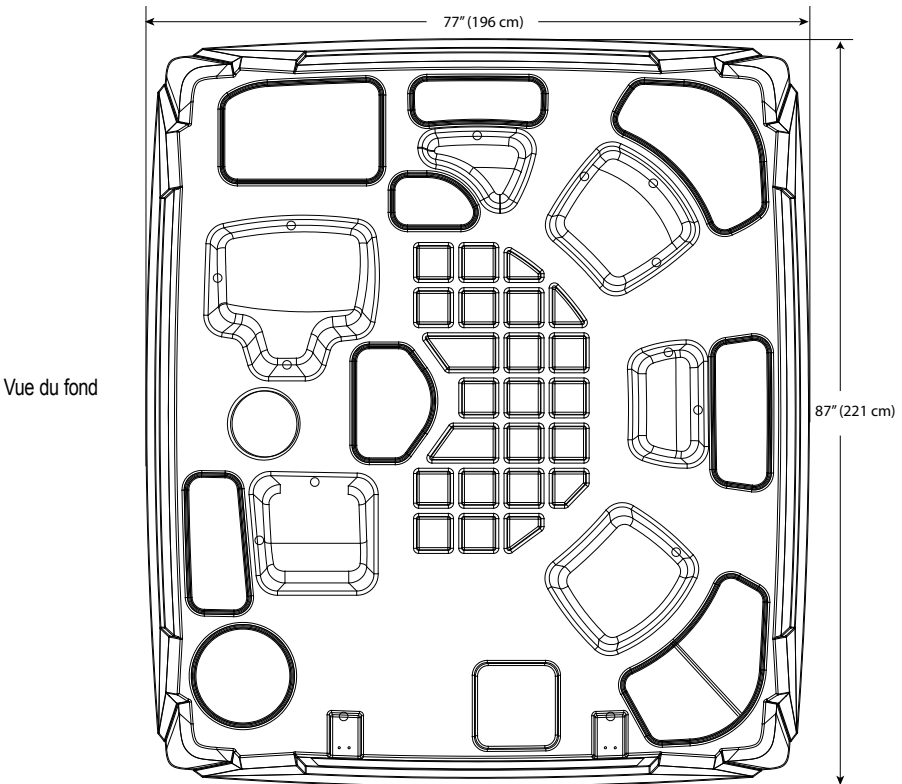
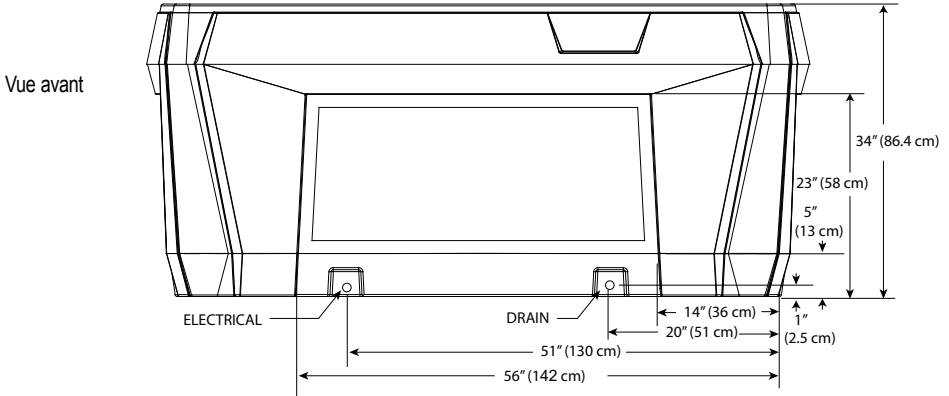
CÔTÉ DU PANNEAU



# TIERRA

## Dimensions

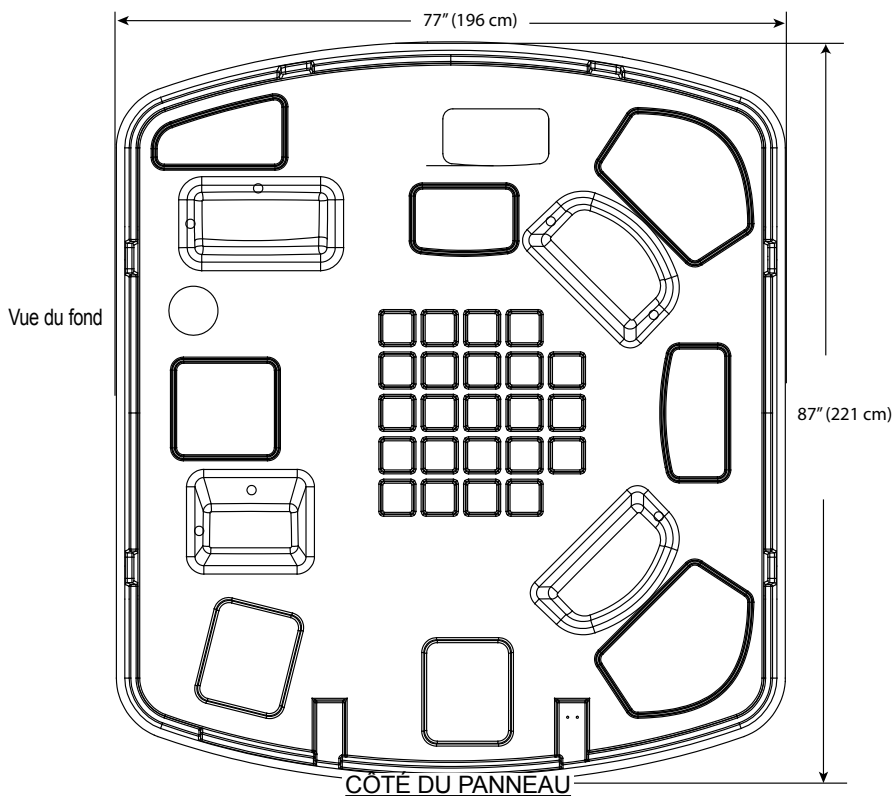
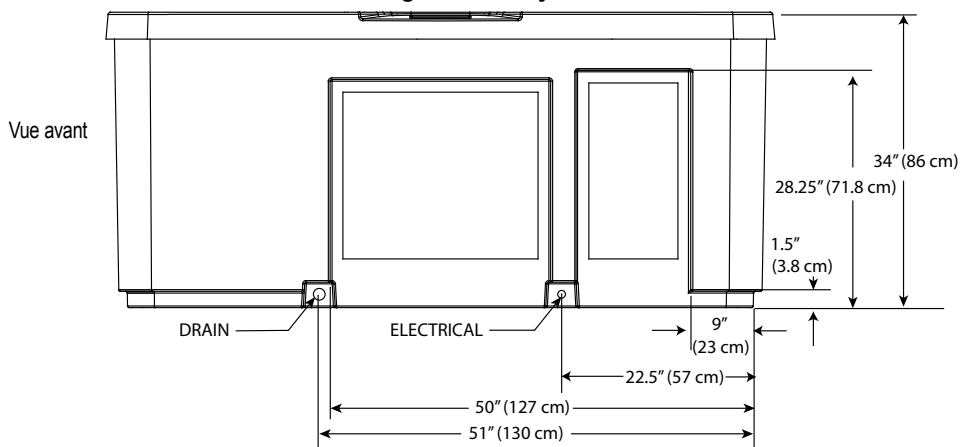
**REMARQUE : toutes les dimensions sont approximatives ;  
mesurez votre spa avant de prendre des décisions ayant des  
implications importantes sur le design ou les trajectoires.**



# LEGANZA

## Dimensions

**REMARQUE : toutes les dimensions sont approximatives ; mesurez votre spa avant de prendre des décisions ayant des implications importantes sur le design ou les trajectoires.**

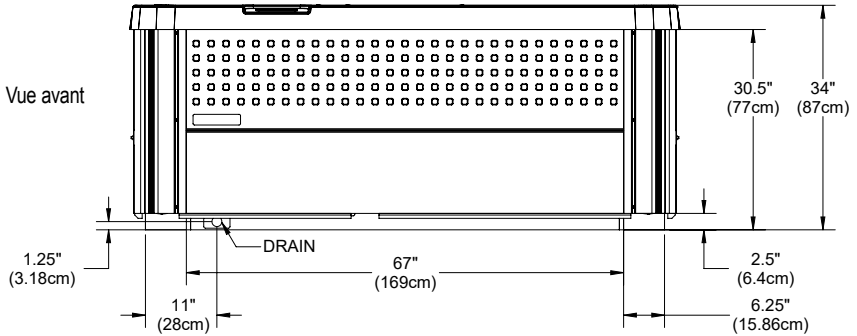


# WILLOW

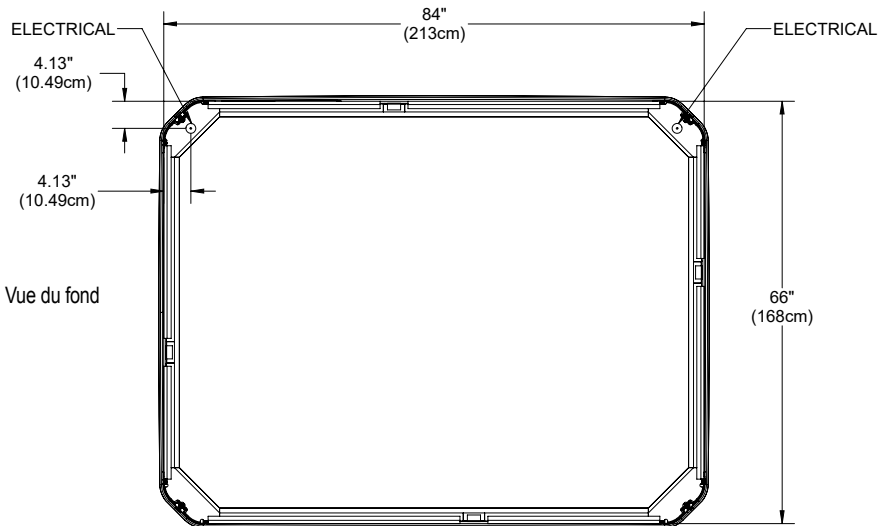
## LSA-510L

### Dimensions

**REMARQUE : toutes les dimensions sont approximatives ;  
mesurez votre spa avant de prendre des décisions ayant des  
implications importantes sur le design ou les trajectoires.**



### DOOR SIDE

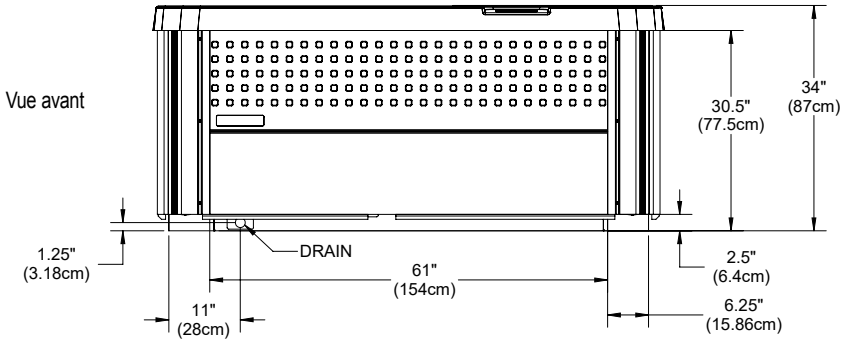


# ACACIA L ET NL

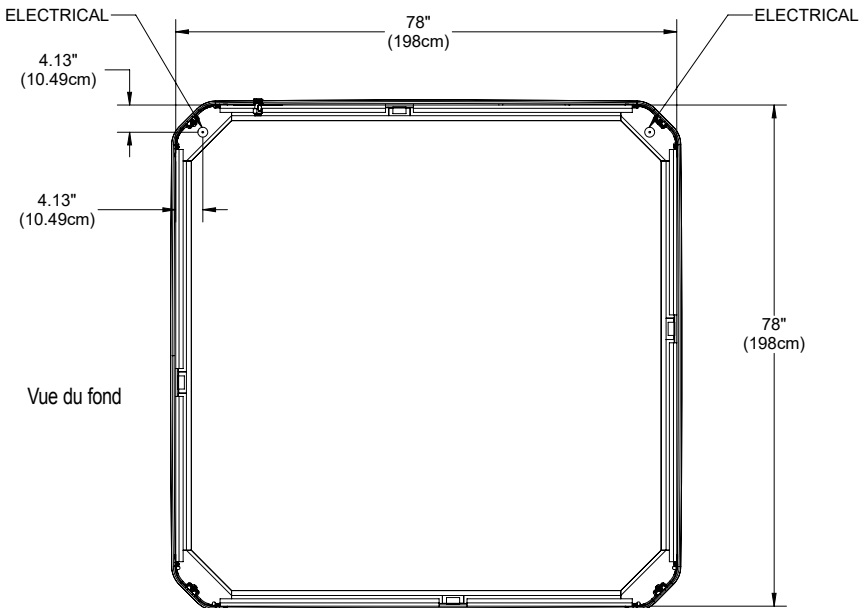
## LSA-620L ET LSA-620

### Dimensions

**REMARQUE : toutes les dimensions sont approximatives ;  
mesurez votre spa avant de prendre des décisions ayant des  
implications importantes sur le design ou les trajectoires.**



### DOOR SIDE

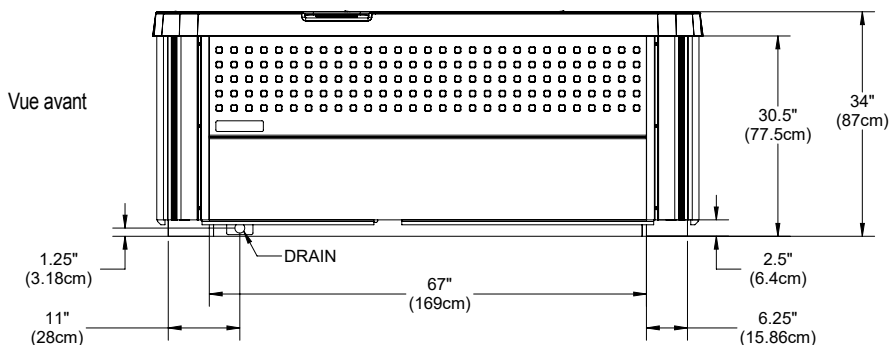


# PALMETTO L ET NL

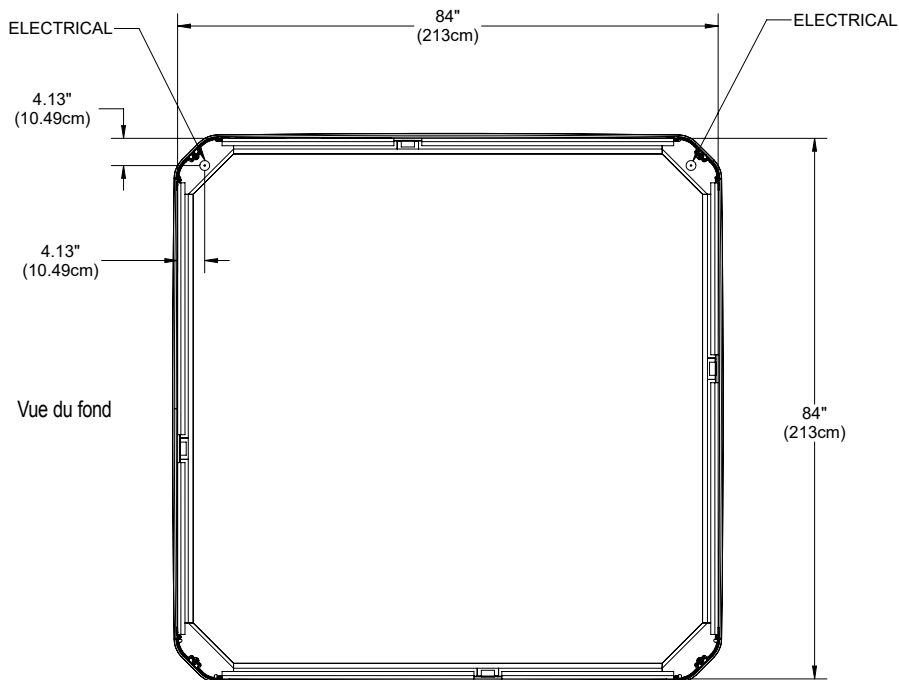
## LSA-720L ET LSA-720

### Dimensions

**REMARQUE : toutes les dimensions sont approximatives ; mesurez votre spa avant de prendre des décisions ayant des implications importantes sur le design ou les trajectoires.**



### DOOR SIDE



# INSTALLATION ÉLECTRIQUE

Afin de vous assurer que vous pourrez utiliser votre spa peu après sa livraison, il est très important que le service électrique requis ait été installé. CECI EST VOTRE RESPONSABILITÉ.

**IMPORTANT** : tous les circuits électriques doivent avoir été installés par un électricien qualifié et agréé.

Certains modèles de spa sont disponibles en tant que systèmes de chauffage convertibles de 115 ou 230 volts. Ces modèles sont fournis de manière standard avec un système de chauffage de 115 volts ; toutefois, avec l'ajout d'un tableau électrique secondaire et d'un changement de câblage du boîtier de contrôle, ils peuvent être convertis à un fonctionnement à 230 volts. Voir les sections suivantes pour les exigences électriques du fonctionnement à 115 volts et du fonctionnement de conversion à 230 volts.

## EXIGENCES DE FONCTIONNEMENT À 115 VOLTS 15 A

Modèles Sereno et Willow (LSA-510L) : le réchauffeur fournira environ 1000 watts de chaleur uniquement lorsque la pompe fonctionne à FAIBLE régime et lorsque le thermostat exige de la chaleur. **REMARQUE** : le réchauffeur ne fonctionne pas lorsque la pompe est sur régime élevé.

Il est hautement recommandé que les modèles de spa de 115 volts fonctionnent sur un circuit dédié de 15 ampères, 115 volts.

Tous les modèles de 115 volts est équipé d'environ 13 pieds (4 m) de câble d'alimentation utilisable. (Il s'agit de la longueur maximum autorisée par ETL.) Une fois que le spa est installé, le câble d'alimentation sortira du bas du bloc technique.

Outre le circuit dédié de 15 ampères et 115 volts, protégé par disjoncteur différentiel, votre spa nécessite un réceptacle individuel de 15 ampères. Ce réceptacle doit contenir une plaque de recouvrement de réceptacle pour extérieur et résistant aux intempéries. Le réceptacle individuel et la plaque de recouvrement doivent être installés par votre électricien avant la livraison de votre spa.

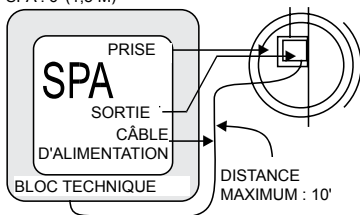
À titre de sécurité, lorsque votre électricien installe la prise électrique, elle ne doit pas être à moins de 6 pieds (1,8 m) et à plus de dix pieds (3 m) du spa. (Code électrique national de référence)

DISTANCE MINIMUM APRES L'INSTALLATION DU SPA : 6' (1,8 M)

**AVERTISSEMENT** : ne connectez pas votre spa à une rallonge électrique !

L'interrupteur de disjoncteur différentiel de 115 volts et le réceptacle doivent être protégés des intempéries et des systèmes d'arrosage ; ils ne doivent jamais être mouillés.

Votre spa a été étudié avec soin pour vous offrir une protection maximum contre les risques d'électrocution. N'oubliez pas que connecter le spa à un circuit câblé incorrectement annule un grand nombre de ses caractéristiques de sécurité.



## CONVERSION DE 115 VOLTS 30 A (SERENO UNIQUEMENT)

Avantage d'une conversion à un système de 30 ampères : le réchauffeur fournira environ 1000 watts de chaleur uniquement lorsque la pompe fonctionne à régime BAS ou ÉLEVÉ et le thermostat demande de la chaleur.

Les modèles convertis nécessitent un disjoncteur monophasé de 30 ampères et 115 volts dans le panneau de service électrique secteur.

Les spas convertis doivent être câblés selon les règlements électriques en vigueur dans votre pays. Tous les travaux électriques doivent être faits par un électricien agréé.

**REMARQUE** : CETTE CONVERSION EXIGE D'UTILISER UN TABLEAU ÉLECTRIQUE SECONDAIRE POUR ALIMENTER ET PROTÉGER LE SPA. Le tableau électrique secondaire contenant les disjoncteurs différentiels doit être acheté séparément.

## EXIGENCES DE CONVERSION 230 VOLTS 50 A

Avantage de posséder ou d'une conversion à un système de 230 V, 50 ampères : le réchauffeur fournira environ 4000 watts de chaleur uniquement lorsque la pompe fonctionne à régime BAS ou ÉLEVÉ et le thermostat demande de la chaleur.

Tous les modèles de 230 volts nécessitent un disjoncteur monophasé de 50 ampères et 230 volts dans le panneau de service électrique secteur.

Tous les spas de 230 volts doivent être câblés selon les règlements électriques en vigueur dans votre pays. Tous les travaux électriques doivent être faits par un électricien agréé.

**REMARQUE** : un MODÈLE CONVERTI EXIGE D'UTILISER UN TABLEAU ÉLECTRIQUE SECONDAIRE POUR ALIMENTER ET PROTÉGER LE SPA. Le tableau électrique secondaire contenant les disjoncteurs différentiels doit être acheté séparément.

Un électricien agréé doit installer un service électrique de quatre câbles (tensions à deux lignes, une neutre, une terre) depuis le panneau de service électrique secteur vers le tableau de distribution électrique secondaire et depuis le tableau électrique secondaire vers le spa selon le schéma de câblage correct, tel qu'illustré ci-dessous.

Votre électricien doit monter le tableau de distribution électrique secondaire à proximité du spa, mais celui-ci ne doit pas être dans les cinq (5) pieds du bord de l'eau du spa.

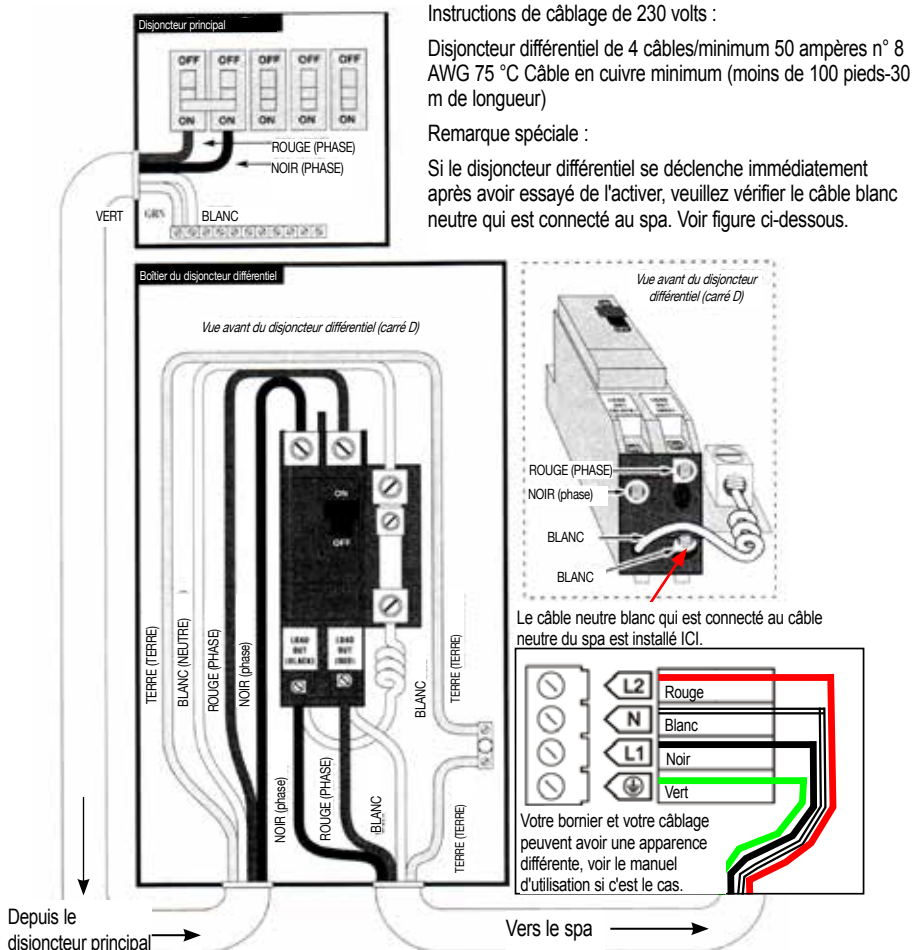
**REMARQUE SUR L'INSTALLATION :** après l'installation du spa, votre électricien peut connecter le conduit depuis le tableau de distribution électrique secondaire vers le boîtier de contrôle du spa et terminer les branchements de câble dans le boîtier de contrôle.

**REMARQUE :** les instructions d'installation et de câblage pas à pas complètes pour tous les modèles de configuration de 230 volts sont incluses dans le Manuel d'utilisation et avec chaque tableau de distribution électrique secondaire.

**AVERTISSEMENT :** si vous supprimez ou contournez les disjoncteurs différentiels dans le tableau de distribution électrique secondaire, vous menacez la sécurité de votre spa, auquel cas la garantie sera sans effet.

**REMARQUE DE SPÉCIFICATION DU CÂBLE :** les longs chemins électriques peuvent nécessiter un câble d'alimentation de calibre plus important qu'indiqué. Tout les fils de câblage doivent être munis d'une âme en cuivre, afin d'assurer des connexions adéquates. N'utilisez pas de fil à âme en aluminium.

Consultez les schémas de câblage pour les exigences électriques des modèles de 230 volts.



# Spécifications des spas

Modèle de spa (Places)	Surface d'encombrement	Hauteur	Zone effective de filtrage	Réchauffeur (watts)	Contenance en eau	Poids à sec	Poids rempli*	Exigences électriques
<b>LS100/DX</b> (4 personnes)	70" x 61"	32"	50 pieds <sup>2</sup>	Récupération de chaleur	205 gallons	265 livres 270 livres	2 651 livres 2 656 livres	Circuit protégé par disjoncteur différentiel dédié de 115 volts, 15 A
<b>LS200/DX</b> (4 personnes)	66" x 77"	29"	25 pieds <sup>2</sup>	Récupération de chaleur	220 gallons	250 livres	2 805 livres	Circuit protégé par disjoncteur différentiel dédié de 115 volts, 15 A
<b>LS300 PLUS</b> (2 personnes)	72" x 72"	31"	50 pieds <sup>2</sup>	Récupération de chaleur	195 gallons	270 livres	2 264 livres	Circuit protégé par disjoncteur différentiel dédié de 115 volts, 15 A
<b>LS350DX/ PLUS</b> (5 personnes)	72" x 81"	34"	50 pieds <sup>2</sup>	Récupération de chaleur	300 gallons	420 livres 440 livres	3 824 livres 3 844 livres	Circuit protégé par disjoncteur différentiel dédié de 115 volts, 15 A
<b>LS450DX</b> (7 personnes)	81" x 81"	34"	50 pieds <sup>2</sup>	Récupération de chaleur	300 gallons	460 livres	4 214 livres	Circuit protégé par disjoncteur différentiel dédié de 115 volts, 15 A
<b>LS500 PLUS</b> (6 personnes)	77" x 87"	34"	50 pieds <sup>2</sup>	Récupération de chaleur	290 gallons	440 livres	3 935 livres	Circuit protégé par disjoncteur différentiel dédié de 115 volts, 15 A
<b>LS550 PLUS</b> (6 personnes)	77" x 87"	34"	50 pieds <sup>2</sup>	4 000	300 gallons	460 livres	4 039 livres	Circuit protégé par disjoncteur différentiel dédié de 230 volts, 50 A
<b>LS600DX</b> (7 personnes)	81" x 81"	34"	50 pieds <sup>2</sup>	4 000	300 gallons	480 livres	4 234 livres	Circuit protégé par disjoncteur différentiel dédié de 230 volts, 50 A
<b>LS700DX</b> (7 personnes)	81" x 81"	34"	50 pieds <sup>2</sup>	4 000	300 gallons	500 livres	4 254 livres	Circuit protégé par disjoncteur différentiel dédié de 230 volts, 50 A
<b>**SERENO™</b> (4 personnes)	75" x 75"	34"	50 pieds <sup>2</sup>	1 000 ou 4 000	275 gallons	400 livres	3 418 livres	115 volts, 15 A ou 230 volts 50 A Protégé par un circuit à disjoncteur différentiel
<b>TIERRA™</b> (5 personnes)	77" x 87"	34"	50 pieds <sup>2</sup>	4 000	340 gallons	430 livres	4 171 livres	230 volts 50 A Protégé par un circuit à disjoncteur différentiel
<b>LEGANZA™</b> (6 personnes)	77" x 87"	34"	50 pieds <sup>2</sup>	4 000	305 gallons	480 livres	4 101 livres	Circuit protégé par disjoncteur différentiel dédié de 230 volts, 50 A

**ATTENTION : WATKINS WELLNESS recommande de faire appel à un ingénieur ou à un entrepreneur de structure avant d'installer le spa sur une terrasse surélevée.**

\***REMARQUE** : le « poids rempli » du spa inclut le poids des occupants (en supposant que le poids moyen d'un occupant est de 175 livres).

\*\* Ce spas ci-dessus pouvant être convertis à 115 volts nécessitent une alimentation de 30 ampères.



# Spécifications des spas - Suite

Modèle de spa (Places)	Surface d'encombrement	Hauteur	Zone effective de filtrage	Réchauffeur (watts)	Contenance en eau	Poids à sec	Poids rempli*	Exigences électriques
<b>Willow</b> <i>LSA-510L</i> (3 personnes)	66" x 84"	34"	50 pieds <sup>2</sup>	1 000 ou 4 000	217 gallons	582 livres	2 936 livres	Circuit protégé par disjoncteur différentiel dédié de 115 volts, 15 A ou 230 volts 50 A
<b>Acacia L</b> <i>LSA-620L</i> (5 personnes)	78" x 78"	34"	50 pieds <sup>2</sup>	4 000	255 gallons	683 livres	3 708 livres	Circuit protégé par disjoncteur différentiel dédié de 230 volts, 50 A
<b>Acacia NL</b> <i>LSA-620</i> (7 personnes)	78" x 78"	34"	50 pieds <sup>2</sup>	4 000	268 gallons	681 livres	4 165 livres	Circuit protégé par disjoncteur différentiel dédié de 230 volts, 50 A
<b>Palmetto L</b> <i>LSA-720L</i> (6 personnes)	84" x 84"	34"	50 pieds <sup>2</sup>	4 000	322 gallons	807 livres	4 571 livres	Circuit protégé par disjoncteur différentiel dédié de 230 volts, 50 A
<b>Palmetto NL</b> <i>LSA-720</i> (7 personnes)	84" x 84"	34"	50 pieds <sup>2</sup>	4 000	346 gallons	805 livres	4 947 livres	Circuit protégé par disjoncteur différentiel dédié de 230 volts, 50 A

**ATTENTION : WATKINS WELLNESS recommande de faire appel à un ingénieur ou à un entrepreneur de structure avant d'installer le spa sur une terrasse surélevée.**

**\*REMARQUE :** le « poids rempli » du spa inclut le poids des occupants (en supposant que le poids moyen d'un occupant est de 175 livres).

# life smart™

1280 Park Center Drive

Vista, California 92081

(888) 961-7727

e-mail : [AHSService@watkinsmfg.com](mailto:AHSService@watkinsmfg.com)

©2024 WATKINS WELLNESS.

