



POLARIS SCONCE
With GS Solar LED Light Bulb

US Patent # 7172307

US Patent # 9458970

Instruction Manual

Model: GS-179



Introduction

Thank you for your purchase. **GAMA SONIC®** solar charged lighting eliminates the problems associated with most solar lighting available today. **GAMA SONIC®** solar charged lights are brighter and last all night with a typical solar charge. Unique design, superior light output and numerous installation options confirm the outstanding value of our product.

GAMA SONIC® has been recognized as a worldwide leader in the lighting industry for over 20 years. The company also offers unique products from multi-purpose solar lamps to emergency lighting products.

For technical assistance and more information call our Toll Free number: 800-835-4113 (only within the US) or visit our website at: www.gamasonic.com. Please read the instruction manual carefully to obtain the best results from your purchase. Tools that are needed but not supplied with the solar post lamps are: a screw driver and a power drill.

Visit our website or download the latest version of your instruction manual:

www.gamasonic.com or www.gamasonic.com/user-guides

WARNING: GAMA SONIC® Light bulbs are built and designed for Gama Sonic products only. They are not designed to be used in other electrical sockets.

For the same reason, regular AC and/or Low Voltage bulbs cannot be used in Gama Sonic products.

1. Solar Lamp Location:

For optimum light duration throughout the night, it is very important to place your solar lamp in a spot where it will receive the maximum amount of direct sunlight throughout the day.

NOTE: For best results, the solar lamp post must be charged for two sunny days in the “ON” (High or Low) position.

2. Assembly instructions

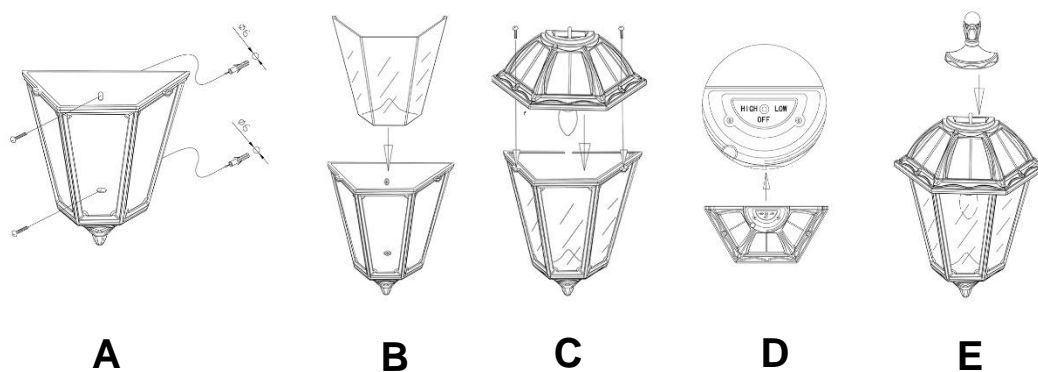


Fig.1

1. Place the frame only **(A)** in your desired location. Mark the two holes for the screws. Remove the frame and drill the two holes. Place the screw anchors inside the holes, and secure the screws through the frame.
2. Insert the lens by sliding it into the frame **(B)** make sure the White wall cover is placed at the back of the lens.
3. Screw the GS Solar LED Light Bulb into the top. Make sure you handle the bulb from its base and not the glass **(Fig. 2)**
4. Place the cap on top of the frame **(C)** and secure it with the provided screws and nuts.
5. Set your lighting preference by selecting the High or Low setting from the light switch located at the top of the cap **(D)**.
6. Once selected, place the finial on top to complete the assembly **(E)**.



Fig.2

Solar LED Light Bulb Replacement

The GS Solar LED Bulb is designed to last up to 10 years, however if it doesn't work, or if you want to use different color temperature bulb, it can be easily replaced.

1. Detach the top of the lamp unit **(B)** by removing the 2 screws.
2. Remove the existing bulb by turning it counterclockwise.
3. Install the new GS Solar LED Bulb by turning it clockwise into the bulb socket **(Fig.2, Fig.3)**.
4. Make sure the Low/OFF/High switch is in the ON (I) position.
5. Reassemble the unit by reversing the above procedure

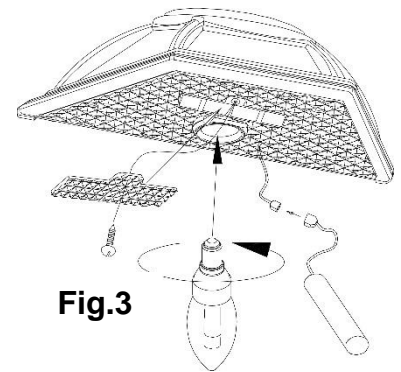


Fig.3

**** Gama Sonic Bulbs are available at www.gamasonic.com**
 You can purchase it directly at: <https://gamasonic.com/product-category/parts-and-accessories/>
 Make sure the new bulb you purchase is compatible with this model (C37 bulb)

3. Operation Instructions (Fig. 3)

1. Remove the final from cap. Turn the operation switch to the Low or High position **(Fig.4)** according your preferences:
 - a. (Low) For softer light and longer duration.
 - b. (High) For brighter light output.
2. The solar lamp will automatically operate at dusk.
3. Re-Install the final when done.



Fig.4

4. Replacing the Battery

(After several years of use, the battery may need replacing.)

1. Unscrew the two screw caps and detach the cap.
2. Make sure the ON/OFF switch is in the OFF (**O**) position.
3. Unscrew and open the battery compartment (**Fig. 5**) located on the silver reflector.
4. Unclip the connector and remove the old battery. (**Fig. 3**)
5. Make sure the new battery is a Gama Sonic – 3.2V/1,500mAh, Li-ion Rechargeable Battery with a connector.
6. Clip on the new battery and place it inside the battery compartment.
7. Re-Install the battery compartment cover.
8. Reattach the cap and secure to the frame.



Fig. 5

**** Gama Sonic batteries are available at www.gamasonic.com**

You can purchase it directly at: <https://gamasonic.com/product-category/parts-and-accessories/>. Make sure the new battery is a [Gama Sonic - 3.2V/1,500mAh](#), Li-ion Rechargeable Battery with a connector.

WARNING: Do not dispose of Li-On battery in the regular trash, municipal waste stream or by fire as batteries may leak or explode. Do not open, short circuit, or mutilate batteries as injury may occur. Preserve our environment by recycling Li-Ion batteries or disposing of them in accordance with local, State and federal regulations. Do not mix old and new batteries.

Maintenance

Clean the solar module regularly with a damp towel to guarantee optimum performance of the solar panel. Do not use any type of solvent for cleaning and be careful not to put too much pressure on the module while cleaning.

Trouble Shooting

If your solar charged light does not come on at dusk despite observance of all the instructions, please try the following steps:

1. Make sure that the solar light is not being affected by any other light source.
2. Ensure the solar light is not positioned in the shade during the day.
3. Make sure the switch in the lamp head is in NOT on the " OFF" position.
4. Check that the batteries are installed correctly.
5. Check that the GS Solar LED Light Bulb is installed correctly.

WINTERTIME TIPS: Keep snow and debris cleaned off the solar panels so the batteries can recharge. If the lights are covered with snow for an extended period of time, after the snow melts, allow all the batteries to charge in full, direct sunlight for at least 6 hours to their maximum capacity.

WARNING: Please keep out of reach of children.

