

*For Residential and Commercial Applications*

Job Name		Engineer / Architect	
Job Location		Wholesaler	
Submittal Date		Contractor	

## KTCS401DLX 1/4 Turn Toilet Supply Kit w/ 5" Extension – Sweat x Compression Ball Stop (Opt. Loose Key)

**Use:** For use with water in accessible locations only

**Design Features:**

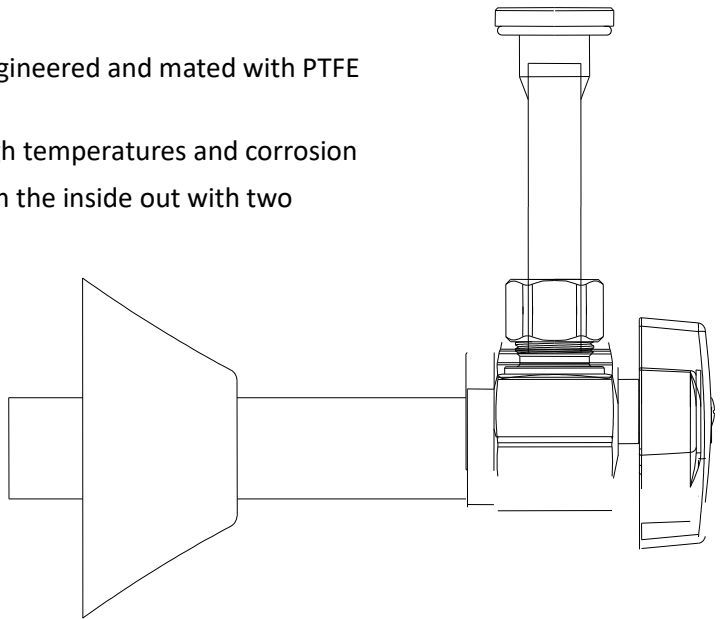
- **Everything you need.** These kits combine our premium KT™ ¼ turn BrassCraft® supply stop, copper riser, extension tube, and escutcheon for an easy-to-install connection
- 

**Copper riser provides:**

- **One-piece** construction
- **Cut-to-length** for a clean, professional installation

**KT™ 1/4 turn ball stop provides:**

- **Machined one-piece brass body** provides strength, durability, and long-lasting performance
- **Easy-to-remove handle** with screw attachment helps protect against accidental operation during rough-ins
- **Precision-machined brass ball** is specially engineered and mated with PTFE seats to provide smooth operation
- **Two high-performance o-rings** withstand high temperatures and corrosion
- **Blow-out-proof brass stem** is assembled from the inside out with two o-rings to ensure safe, reliable performance
- **Plated stem** provides corrosion resistance and prevents o-ring damage
- **Metal handle** is designed for durability, corrosion resistance, and a sleek appearance
- **100%** leak tested



**Operating Specifications:**

**Temperature:** 40° - 180° F  
**Pressure:** 125 PSI maximum

**Tube Diameter:** .38" OD

**Part Listing:**

- KTCS401DLX C 1/2" nom sweat x 3/8" OD compression, bell escutcheon, chrome
- KTCS401DLX C 1/2" nom sweat x 3/8" OD compression w/ loose key, bell escutcheon, chrome

*This specification and all information contained herein is the confidential and exclusive property of Brasscraft Manufacturing Company and shall not be disclosed to others without the written consent of Brasscraft Mfg. Co. This specification must be returned to Brasscraft Mfg. Co. if requested.*



# KTCS401DLX 1/4 Turn Toilet Supply Kit w/ 5" Extension – Sweat x Compression Ball Stop (Opt. Loose Key)

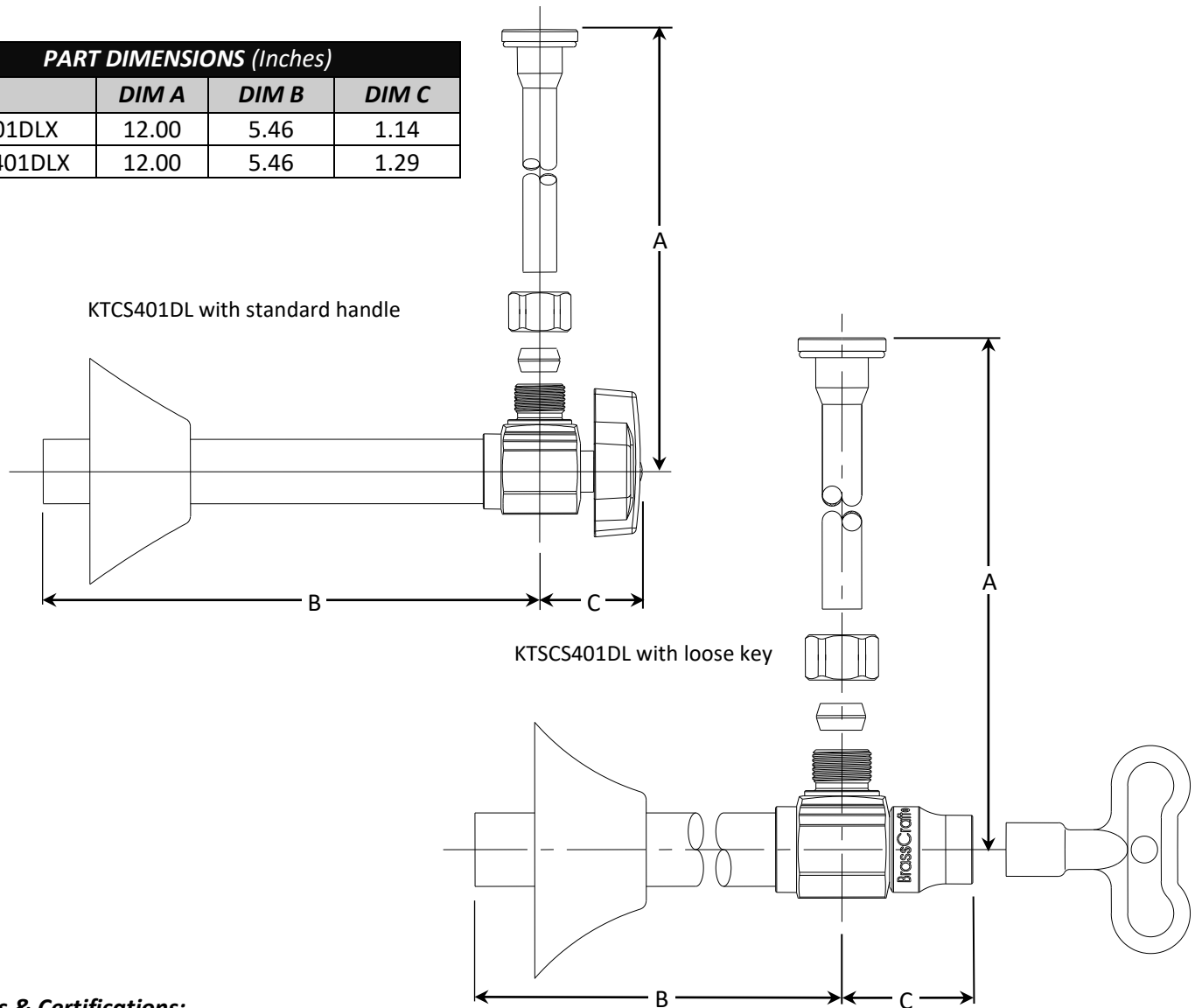
CONNECTOR MATERIAL SPECIFICATIONS	
<b>Tube</b>	Copper
<b>Insert</b>	TPE
<b>Extension Tube</b>	Copper, plated

<b>Bell Escutcheon</b>	Steel, plated
------------------------	---------------

<b>Loose Key</b>	Zinc die cast
<b>Loose Key Adaptor</b>	Zinc die cast
<b>Lock Shield</b>	Brass, plated

STOP MATERIAL SPECIFICATIONS	
<b>Body</b>	Brass, plated
<b>Stem</b>	Brass, plated
<b>Handle</b>	Zinc die cast, plated
<b>Handle Screw</b>	Steel, zinc plated
<b>O-ring</b>	Rubber
<b>Ball</b>	Brass, plated
<b>Seat</b>	PTFE
<b>Compression Sleeve</b>	Brass
<b>Compression Nut</b>	Brass, plated

PART DIMENSIONS (Inches)			
Model	DIM A	DIM B	DIM C
KTCS401DLX	12.00	5.46	1.14
KTSCS401DLX	12.00	5.46	1.29



**Listings & Certifications:**

- IAPMO listed to ASME A112.18.1 / CSA B125.1 (includes NSF/ANSI 372 and NSF/ANSI/CAN 61)



*This specification and all information contained herein is the confidential and exclusive property of Brasscraft Manufacturing Company and shall not be disclosed to others without the written consent of Brasscraft Mfg. Co. This specification must be returned to Brasscraft Mfg. Co. if requested.*

**BrassCraft®**