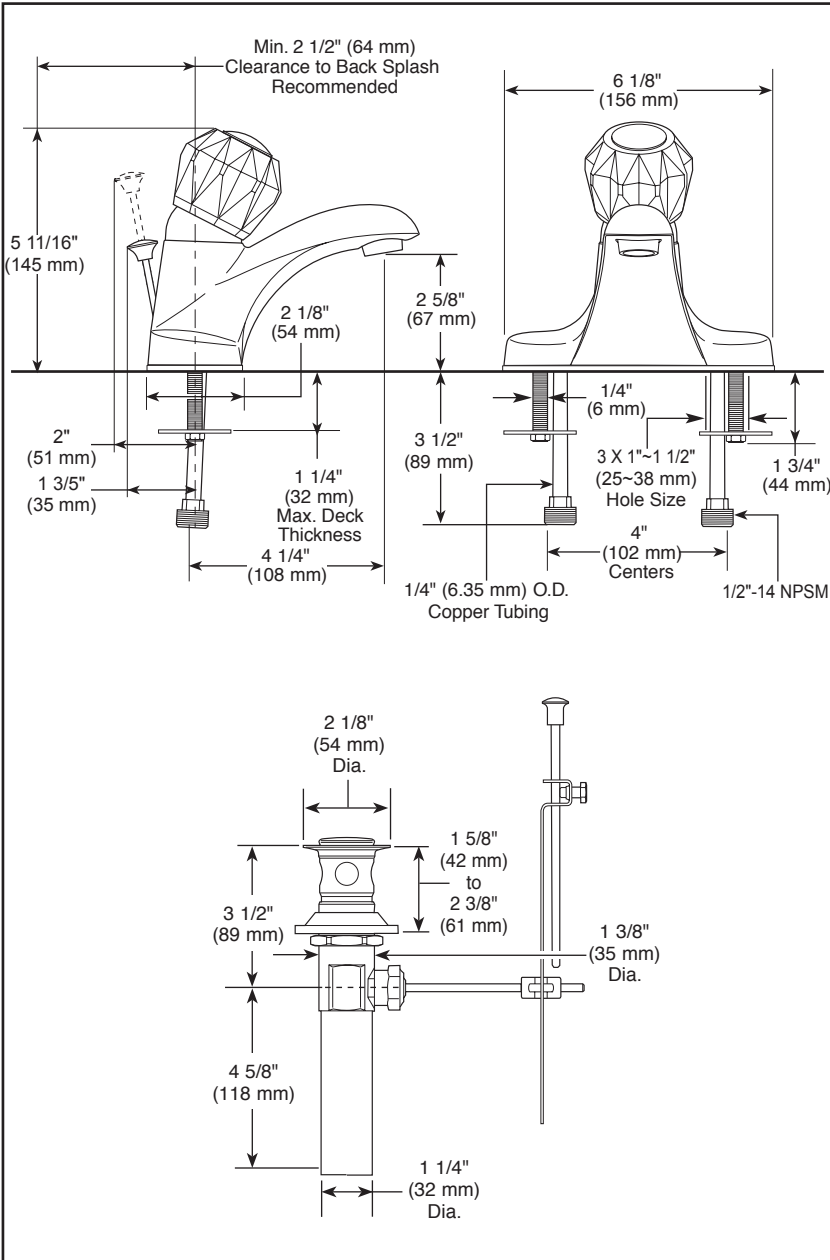


B512LF

Submitted Model No.: _____
 Specific Features: _____



LAVATORY FAUCETS

Single Handle Deck Mount

STANDARD SPECIFICATIONS:

- Maximum flow rate 1.20 gpm @ 60 psi, 4.54 L/min @ 414 kPa
- Solid brass fabricated body
- Three hole mount
- All operating parts shall be replaceable from the top
- Control mechanism is the rotating stainless steel ball type with replaceable non-metallic seats
- Control handle shall return to neutral position when valve is turned off
- Models include metal pop-up type fitting with plated metal flange and stopper cap

WARRANTY:

- Lifetime limited warranty on parts (other than electronic parts and batteries) and finishes; or for commercial users, for 5 years from the date of purchase.
- 5 year limited warranty on electronic parts (other than batteries); or for commercial users, for 1 year from the date of purchase. No warranty is provided on batteries.



COMPLIES WITH:

- ASME A112.18.1 / CSA B125.1
- ASME A112.18.2 / CSA B125.2
- EPA WaterSense®
- Verified compliant with 0.25% weighted average Pb content regulations.



55 E. 111th Street, Indianapolis, Indiana 46280
 350 South Edgeware Road, St. Thomas, Ontario Canada N5P 4L1
 © 2016 Masco Corporation of Indiana

Delta reserves the right (1) to make changes in specifications and materials, and (2) to change or discontinue models, both without notice or obligation. Dimensions are for reference only. See current full-line price book or www.deltafaucet.com for finish options and product availability.