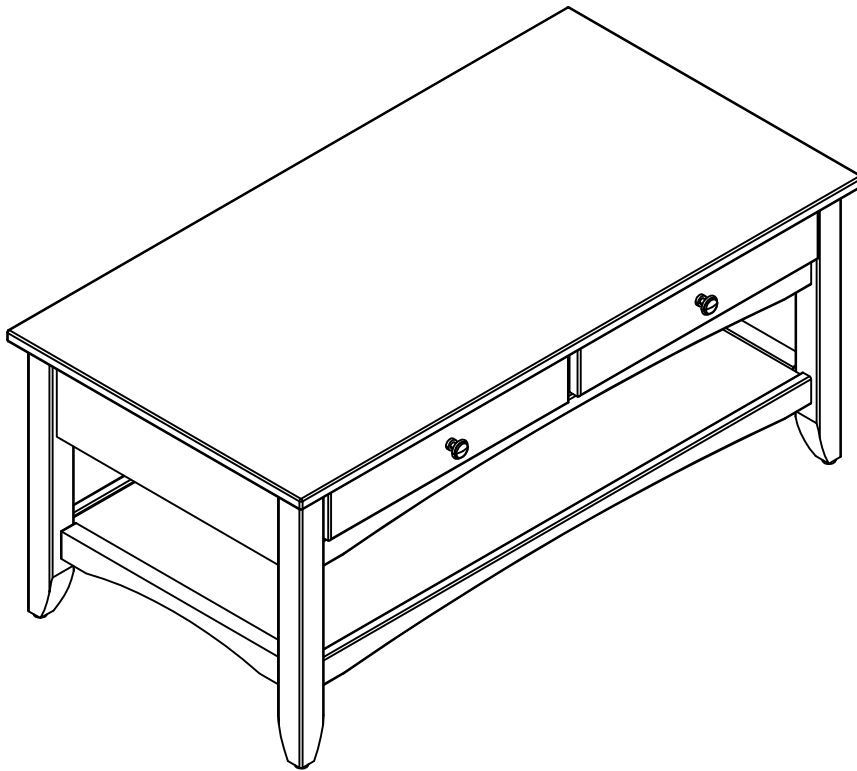


StyleWell™

Item # 1004394166/1004394167
Item # 1004394168
Model # CT 1013

USE AND CARE GUIDE

2 DRAWER 1 SHELF COFFEE TABLE



Questions, problems, missing parts?
Before returning to the store, call Customer Service.
8 a.m. - 7 p.m., EST, Monday - Friday, 9 a.m. - 6 p.m., EST, Saturday

1-877-527-0313

HOMEDEPOT.COM

THANK YOU
We appreciate the trust and confidence you have placed in Style Well through the purchase of this 2 drawer 1 shelf coffee table. We strive to continually create quality products designed to enhance your home. Visit us online to see our full line of products available for your home improvement needs. Thank you for choosing Style Well!

Table of Contents

Table of Contents	2	Tools Required	3
Safety Information	2	Hardware Included	3
Warranty	2	Pre-assembly (continued)	4
1 Year Warranty	2	Package Contents	4
What is Covered	2	Assembly	5
What is Not Covered	2	Maintenance	15
Pre-assembly	3	Care and Cleaning	15
Planning Assembly	3		

Safety Information



DANGER

- Keep small parts away from children during assembly.
- Read and follow instructions carefully.



WARNING

- TO GUARANTEE THE SAFE USE OF THIS PRODUCT, FOLLOW THE WARNINGS, GUIDELINES AND RECOMMENDATIONS IN THIS MANUAL.
- Adult assembly required.
- Small parts may present choking hazard prior to assembly.



CAUTION

- Do not use power tools to assemble your furniture. Power tools may strip or damage parts/product.
- Do not overtighten connectors (screws, bolts, etc.). Overtightening can lead to product damage.
- Be sure to check all packing materials carefully for small parts that may have come loose inside the carton during shipment. If parts are missing, contact THE HOME DEPOT to obtain any missing parts.
- DO NOT USE SUBSTITUTE PARTS.
- This product should only be used on a flat, level surface.
- Some assembly may involve attaching glass or mirrors.
- Be very careful handling the glass or mirrors, as severe injury may result if the glass or mirror breaks.
- Never handle large pieces of glass or mirrors by yourself.
- Assembly requires two people; assembly alone may cause injury.

Warranty

1 YEAR WARRANTY

WHAT IS COVERED

We guarantee this product to be free of manufacturing defects to the original purchaser for one year.

WHAT IS NOT COVERED

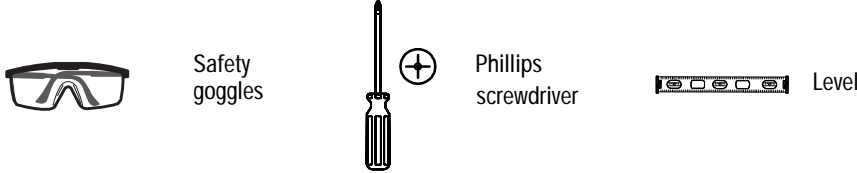
This warranty does not cover commercial use, acts of nature, and abusive use.

Pre-assembly

PLANNING ASSEMBLY

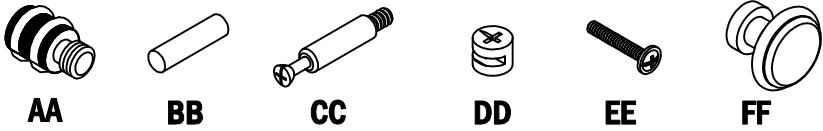
- Remove all Packaging materials , staples and packing straps form the carton .
- Refer to Parts List and Hardware List , and ensure parts and hardware are correct before assembly .
- Contact customer service for missing parts .
- Place all wooden parts on a clean , flat , and soft surface (e.g.carpet or rug) to prevent scratch and damage to parts .

TOOLS REQUIRED



HARDWARE INCLUDED

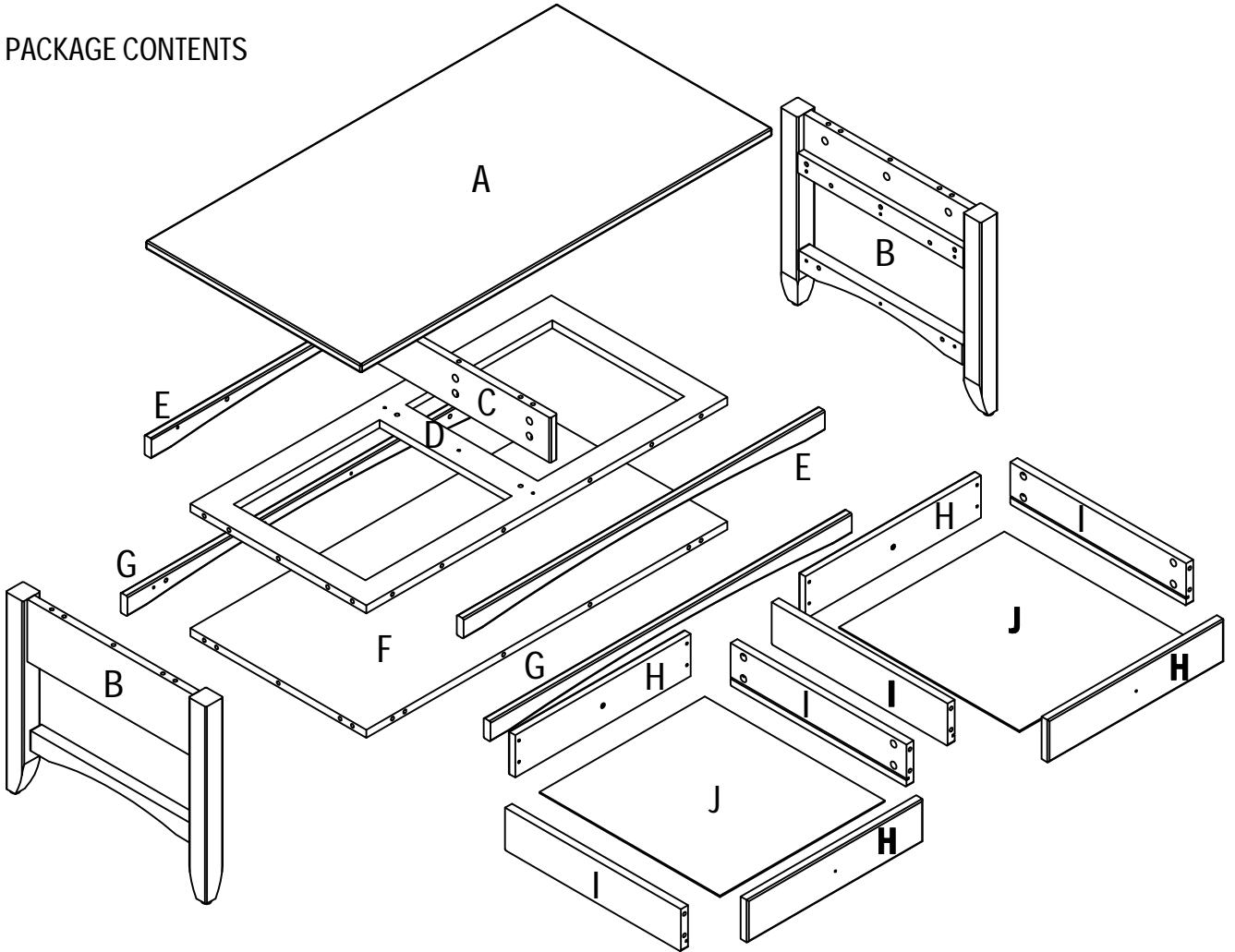
NOTE: Hardware not shown to actual size.



Part	Description	Quantity
AA	Drawer support	2
BB	Wooden dowel	24
CC	Cam bolt	56
DD	Cam lock	56
EE	Screw	4
FF	Knob	4

Pre-assembly (continued)

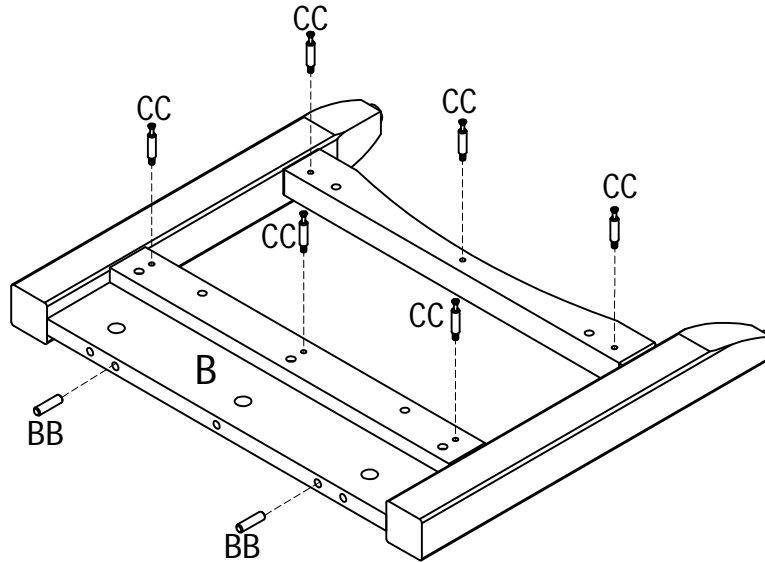
PACKAGE CONTENTS



Part	Description	Quantity
A	Table top	1
B	Side panel	2
C	Divider panel	1
D	layer box	1
E	Rail panel	2
F	Bottom panel	1
G	Bottom rail panel	2
H	Drawer front panel	4
I	Drawer side panel	4
J	Drawer bottom panel	2

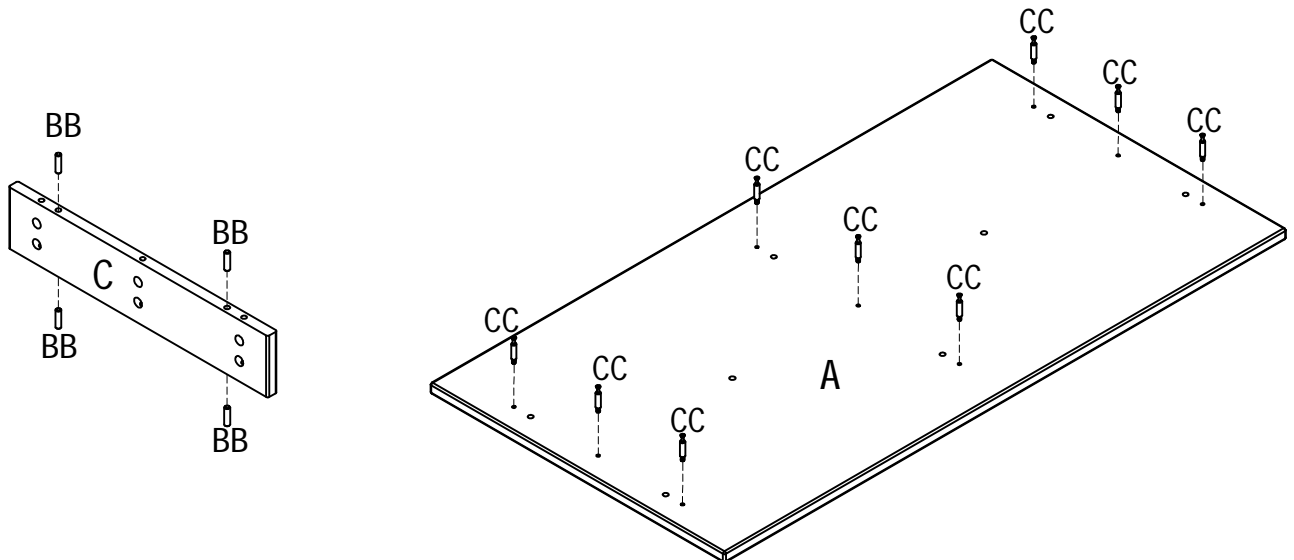
Assembly

- 1 Locked cam bolts(CC) and attached wooden dowel(BB) to side panel(B) as shown



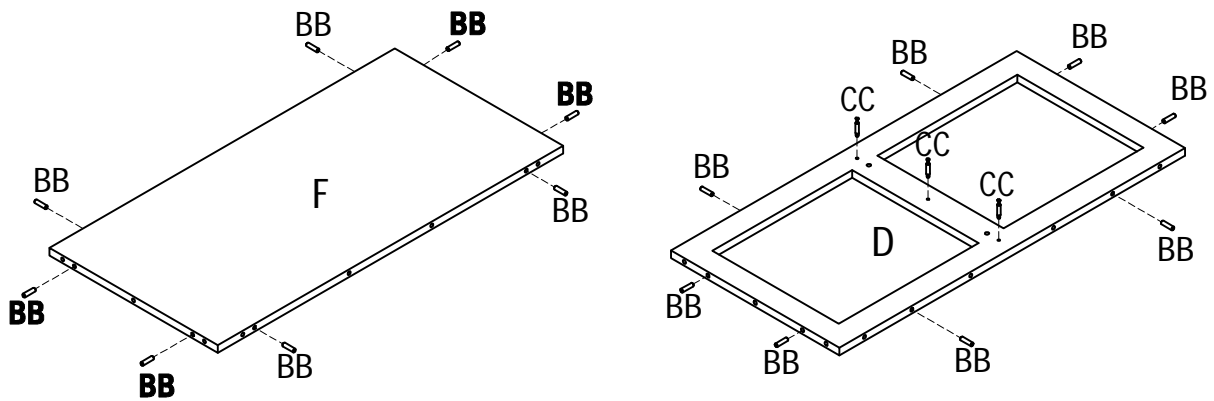
X 2

- 2 Lock cam bolts(CC) to the top panel(A), attached wooden dowel(BB) to divider panel(C)

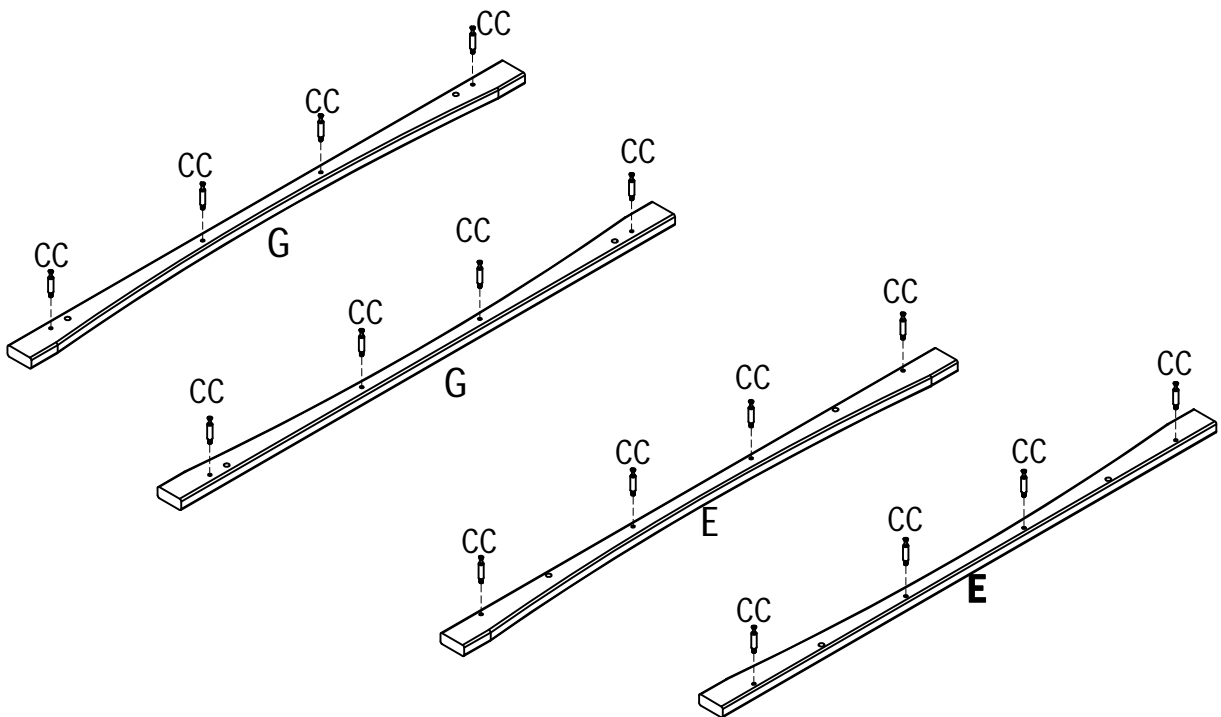


Assembly (continued)

- 3** Attached wooden dowel(BB)to bottom panel(F) and layer box(D),locked cam bolt(CC) to layer box(D)

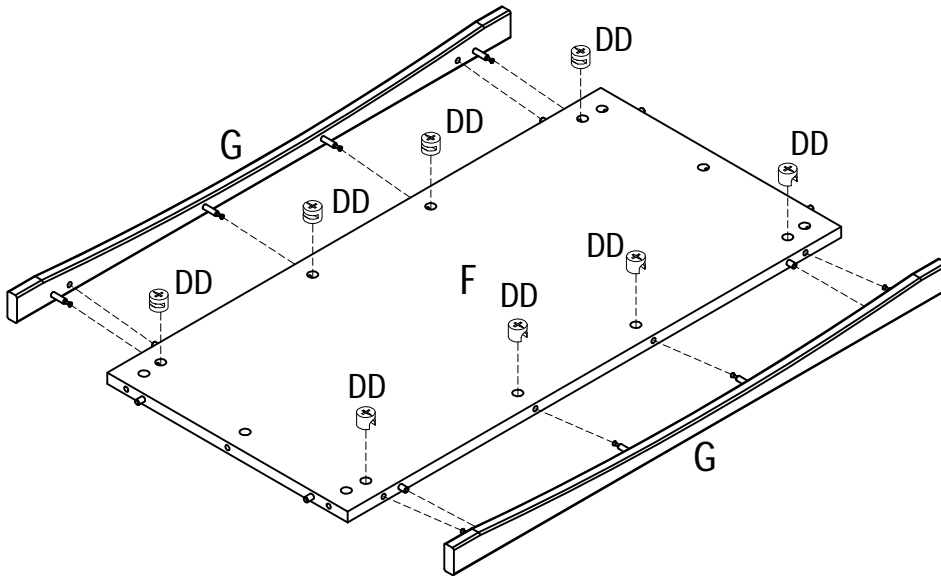


- 4** Locked cam bolt(CC) to rail panel(E) and bottom rail panel(G) as shown

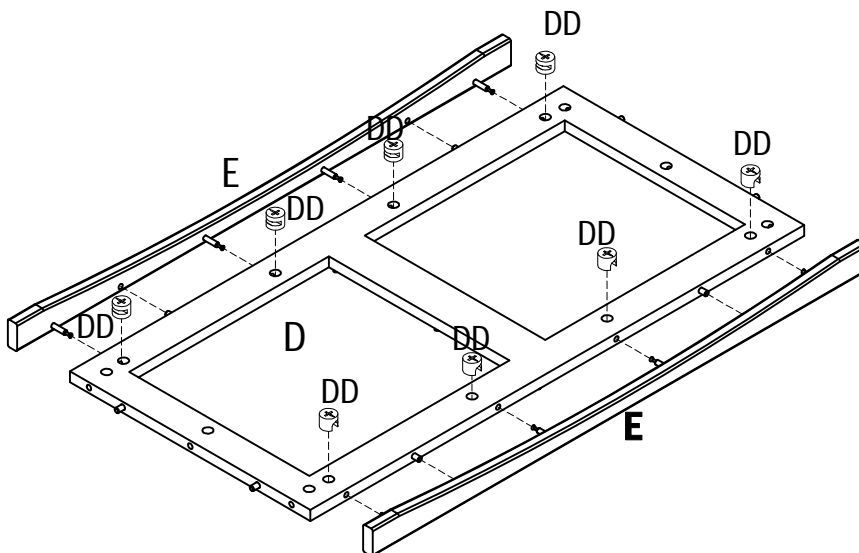


Assembly (continued)

- 5 Connect bottom rail panel(G) and bottom panel(F) with cam lock(DD) as shown

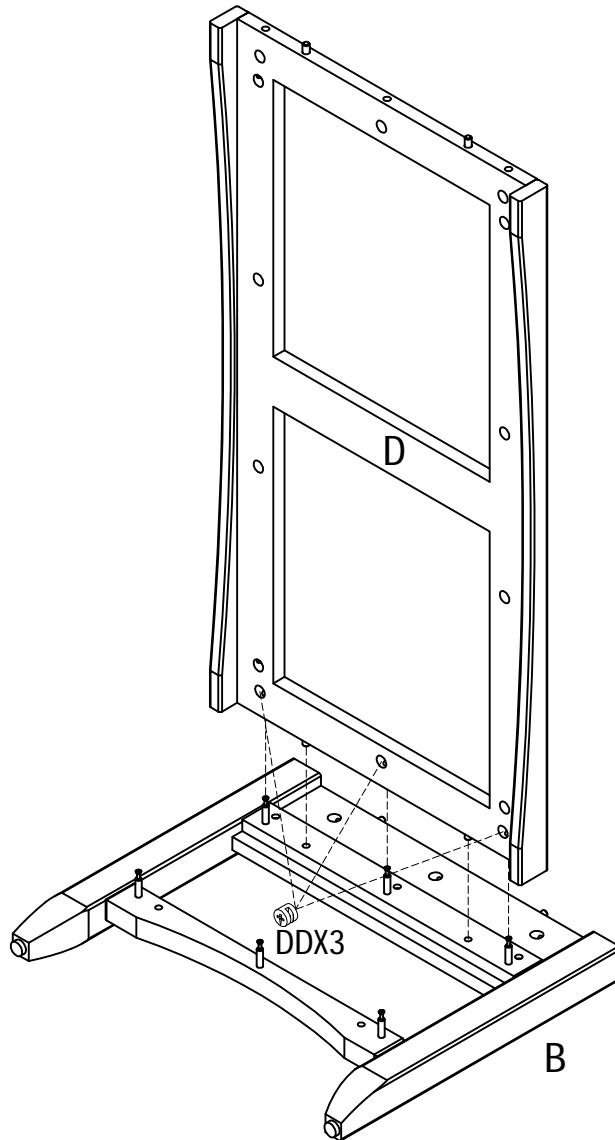


- 6 Connect rail panel(E) and layer box(D) with cam lock(DD) as shown



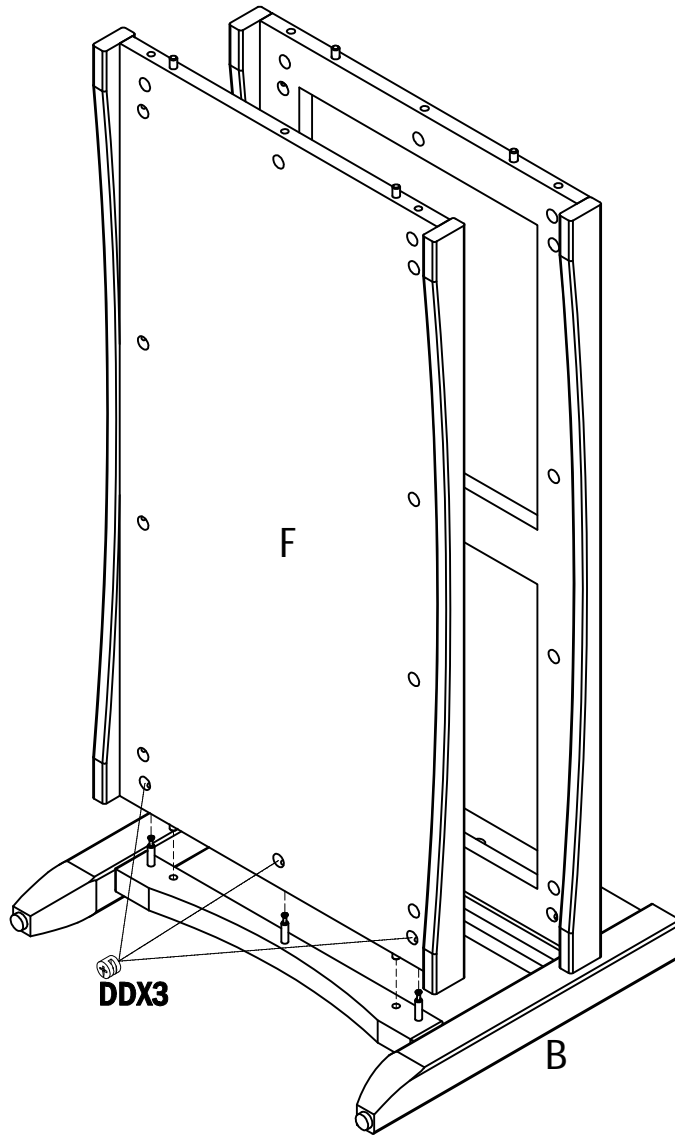
Assembly (continued)

7 Connect side panel(B) with cam lock(DD) from step 6



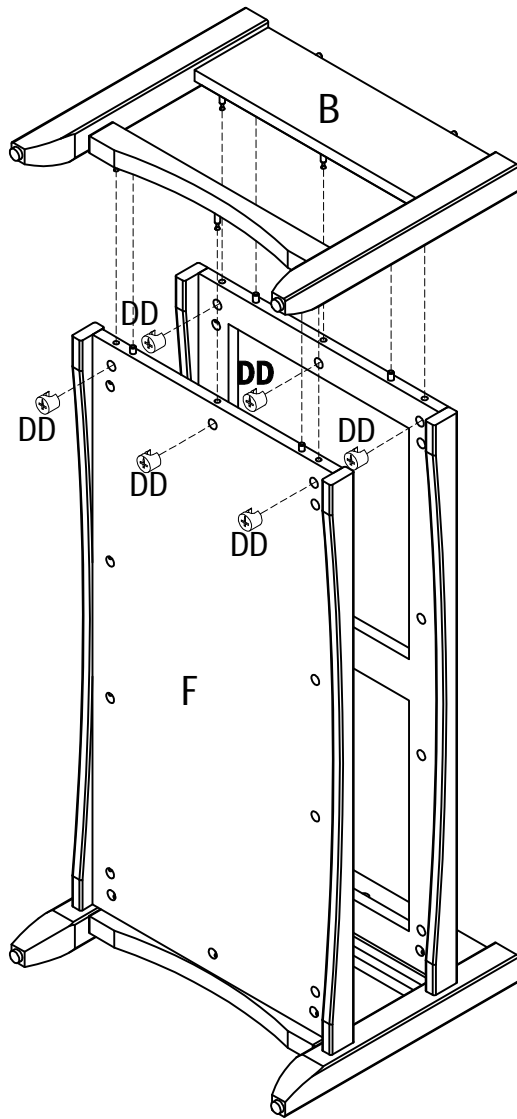
Assembly (continued)

- 8 Connect bottom panel(F) to side panel(B) with cam lock(DD) from step 7



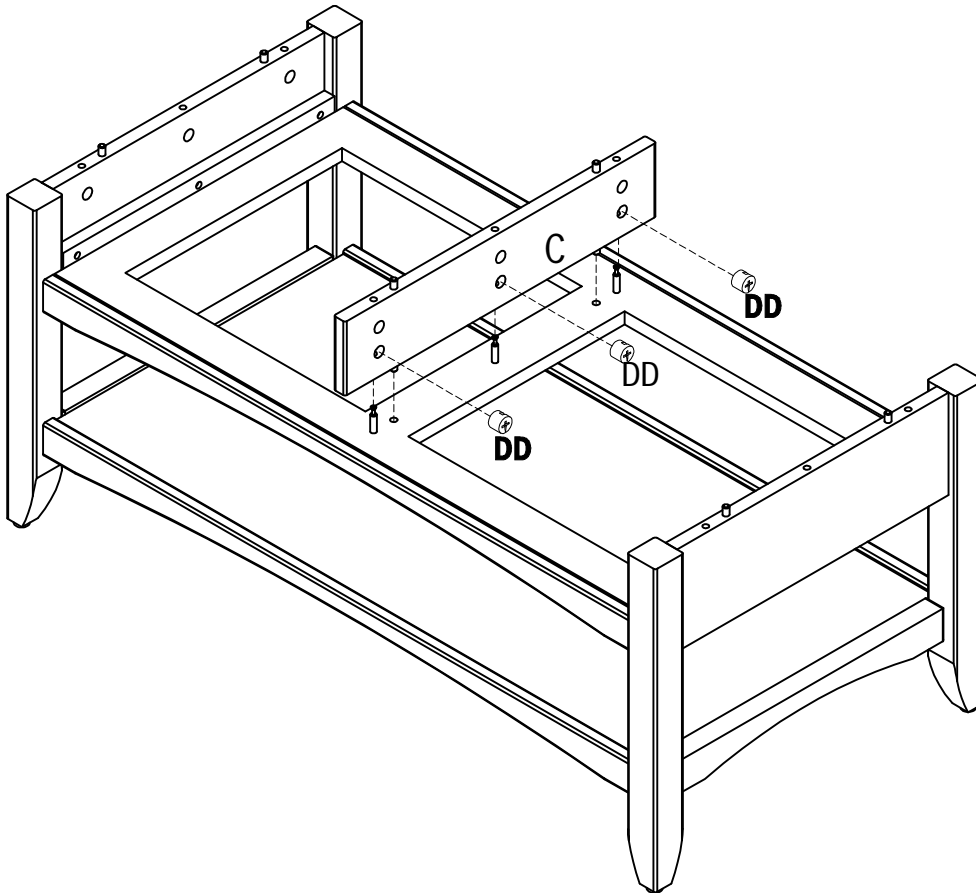
Assembly (continued)

- 9 Connect side panel(B) with cam lock(DD) from step 8



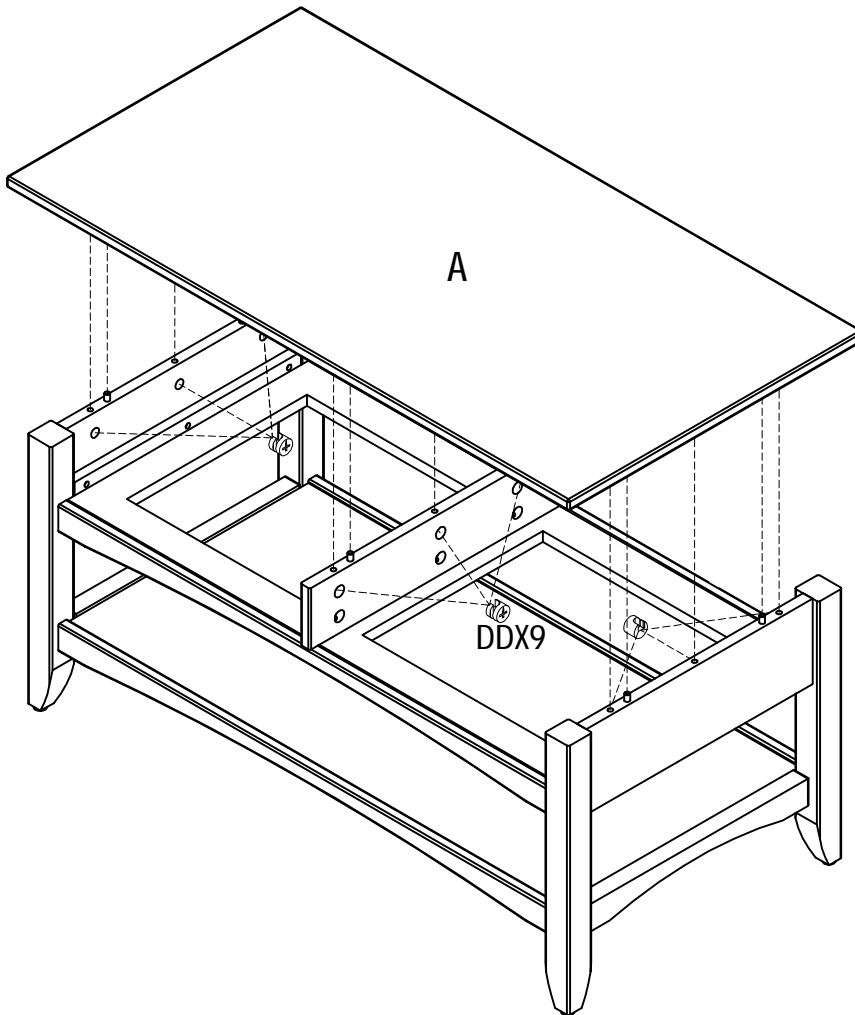
Assembly (continued)

10 Connect divider panel(C) with cam lock(DD) from step 9



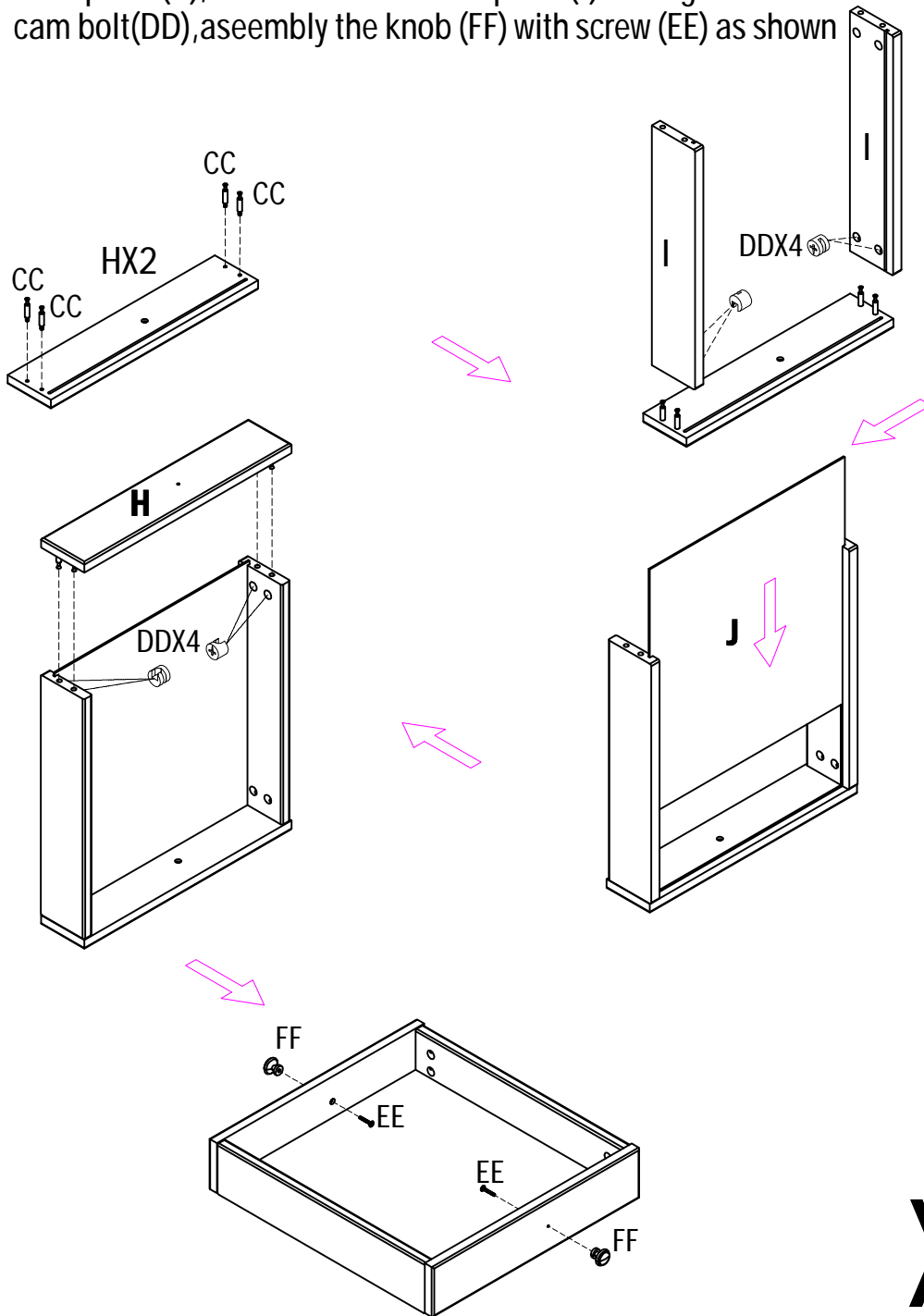
Assembly (continued)

11 Connect table top panel(A) with cam lock(DD) from step 10



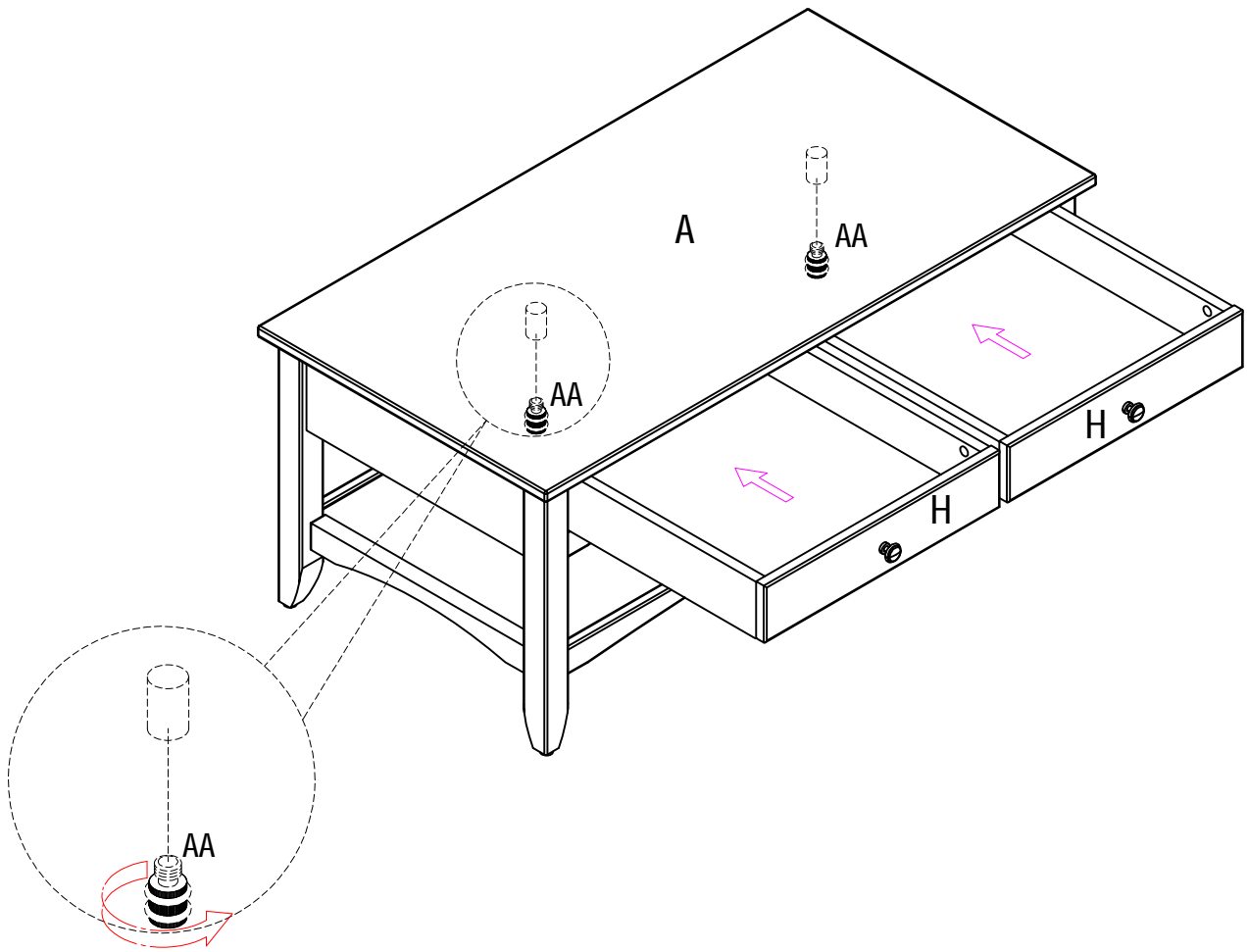
Assembly (continued)

- 12** Lock cam bolt(CC) to drawer front panel(H), connect drawer side panel(I) to drawer front panel(H), insert drawer bottom panel(J) and tighten drawer front panel with cam bolt(DD), assembly the knob (FF) with screw (EE) as shown



Assembly (continued)

12 Locked drawer support(AA) as shown



Maintenance

- Keep the product away from direct heat and sunlight .
- Prolonged exposure to heat sources may cause scorching, or even cause color to fade .
- Regular vacuuming or light brushing helps to remove dirt and prevent soil build-up, which increases the appearance of wear .
- Periodically (every 90 days) make sure that the screws are fully tightened .

Care and Cleaning

- Handle with care.
- Use a slightly damp cloth to clean the product. Do not use bleach or use abrasive cleaning material .
- Check all the fittings periodically and re-tighten as necessary. Do not use the product if any of the parts are damaged or broken .
- Never allow any kind of liquid to remain on your furniture .
- Absorption can make wood warp or delaminate .
- Do not place hot items (e.g. hot drinks) directly onto the wood surface.
- Do not drag and /or pull the furniture .
- Never use harsh chemicals or solvents on your product as this may damage the metal .
- Marks and stains from pens, crayons and ink markers are difficult to remove. In the event that your products become permanently stained, we recommend that you consult a professional .

StyleWell.™

Questions, problems, missing parts?
Before returning to the store, call Customer Service
8 a.m. - 7 p.m., EST, Monday - Friday, 9 a.m. - 6 p.m., EST, Saturday

1-877-527-0313

HOMEDEPOT.COM

Retain this manual for future use.