

## Unleash the Power of Precision Drilling with VEVOR 16PCS Forstner Bit Set



Our forstner bit set is made of fully ground carbon steel blades. It slices through wood with ease, maintaining its sharpness and resistance to high temperatures. Say goodbye to dull blades and hello to smooth drilling action!



This forstner bit is equipped with a self-centering coaxial advanced drill point, providing high toughness and durability. It features precise drilling positioning without deviation or vibration, resulting in neat and smooth boreholes.

## ANGLED BLADE DESIGN

Effortless chip removal, enhanced stability in operation



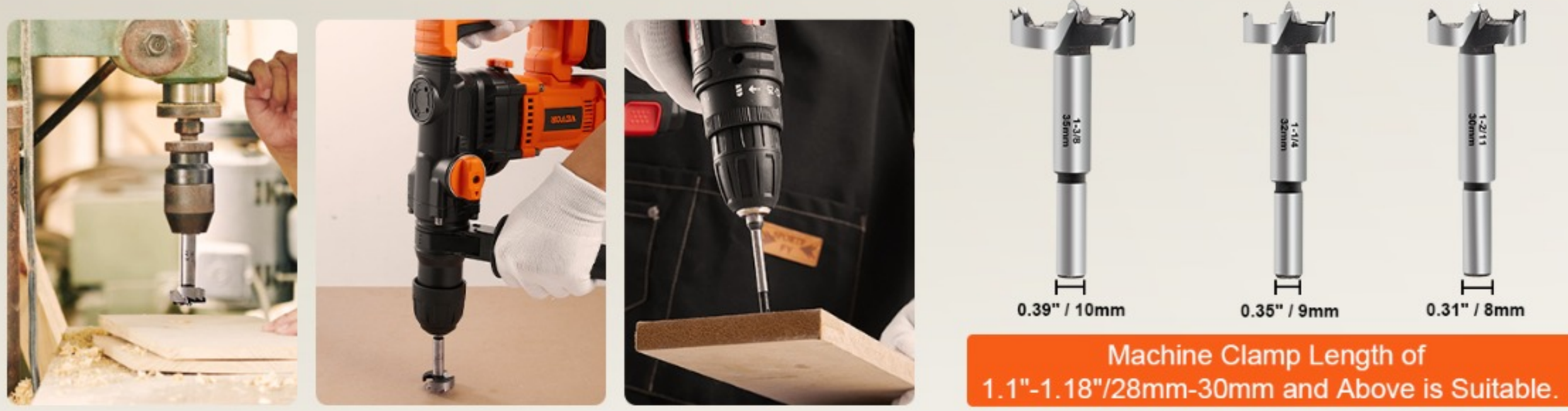
Our forstner drill bit's angle blade design makes drilling a breeze. The high-quality alloy blade effortlessly clears away chips, ensuring a smooth drilling experience.



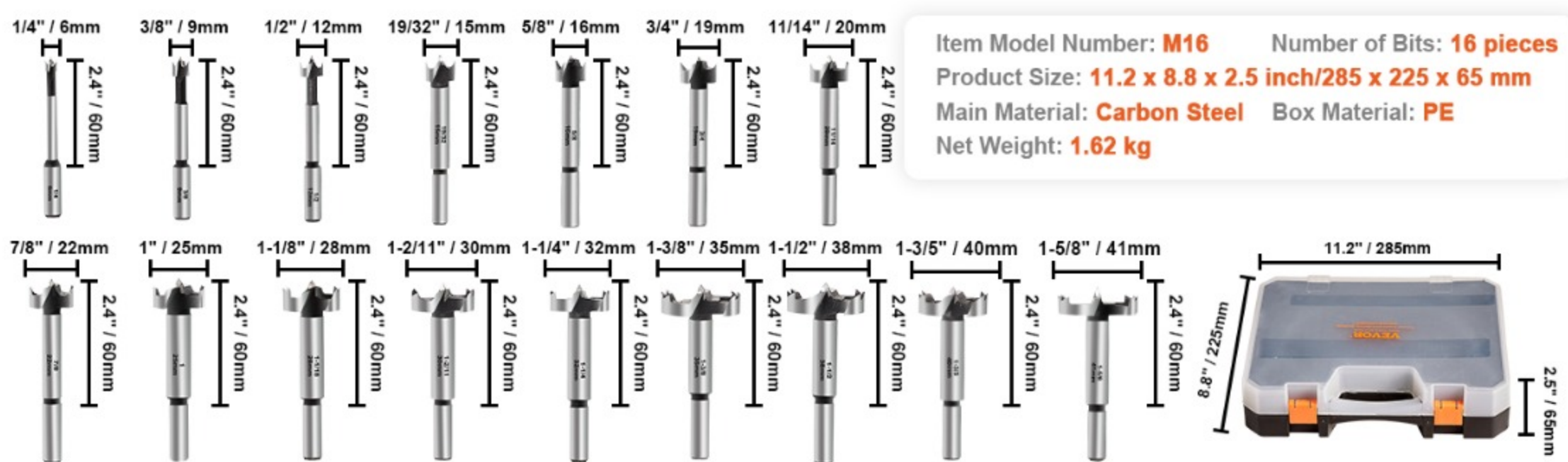
The forstner bits for woodworking are suitable for hardwood, softwood, composite board, and other wood materials, delivering smooth and high-quality boreholes.

## PERFECT FOR VARIOUS DRILLING EQUIPMENT

Compatible with drill press, corded drills, cordless drills



The shank of our forstner bit set for wood is compatible with most drilling equipment available in the market, providing versatility in various sizes.



Item Model Number: **M16** Number of Bits: **16 pieces**  
 Product Size: **11.2 x 8.8 x 2.5 inch/285 x 225 x 65 mm**  
 Main Material: **Carbon Steel** Box Material: **PE**  
 Net Weight: **1.62 kg**

We continue to be committed to provide you with cost-effective tools.  
 \*Save Half for any other similar expressions used by us only represents an estimate of savings you might benefit from buying certain tools with us compared to the major top brands and does not necessarily mean to cover all categories of tools offered by us.  
 You are kindly reminded to verify carefully when you are placing an order with us if you are actually saving half in comparison with the top major brands.

### Specification

Item Model Number	M16	Number of Bits	16 pieces
Product Size	11.2 x 8.8 x 2.5 inch/285 x 225 x 65 mm	Main Material	Carbon Steel
Box Material	PE	Blade Hardness	HRC48-51
Net Weight	3.6 lbs / 1.62 kg	Manual	<a href="#">Download Link</a>