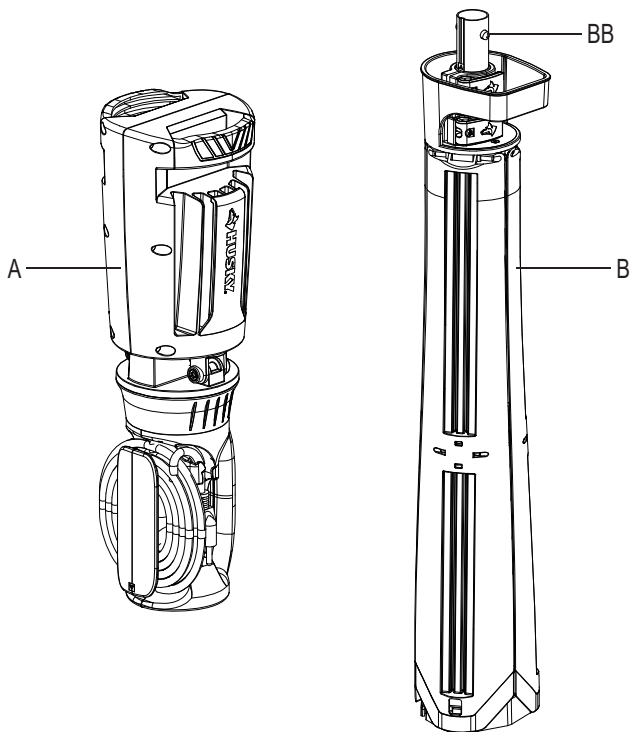


# Pre-Installation (continued)

## PACKAGE CONTENTS



Part	Description	Quantity
A	Work light head	1
B	Work light body	1
BB	Spring buckle	2