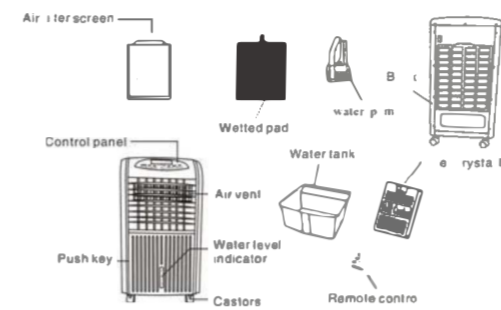


## USER'S MANUAL AIR COOLER

### INTRODUCTION

- Thank you for purchasing our air cooler.
- Each unit has been manufactured to ensure safety and reliability.
- Before first use, read the instructions carefully and keep it for further reference

### DIAGRAM



### PERFORMANCE PARAMETERS

Model	Rating Power	Fan power	Max Water Injection Rate	Specification
EP23665	110-120V-60Hz	75W	8L	16.14*12.99*28.54in

### FUNCTIONS

- **Principle of cool humidify:** take cool water from the water tank by pump or synchronous motor, after reaching the top, the cool water will flow through the wetted pad, then blow off humid cool air rounding the wetted pad by rotational wind wheel. Use the water evaporation principle.
- **Electronics control:** safe and durable, attractive appearance
- **Adjustable speed and mode:** have three speeds and modes, blow at wide angle
- **Cool/humidify:** adopt ice crystal refrigeration and air humidifying technology, can cut down the temperature from air vent and raise relative humidity, prevent air drying
- **Anion:** purify and sterilize air by generating negative ion
- **Deliver wind at wide angle:** swing the blades automatically, deliver wind at horizontal wide angle. Also can swing the blades transversely manually, select the direction discretionarily.
- **Far-range remote control:** 236in far range remote control, receive at 60 degree wide angle
- **Buzzer:** vocalize when operating the effective keypad, use conveniently.

### ASSEMBLING AND WATERING

1. Assemble castors: put the appliance on a flat surface, take out the wrench from foam box, then assemble the castors

Attention: the back castors are with brake, but the front ones are without. (map 1)

Watering: push the key on the door, open it and draw out the water tank, then add water.(map 2)

2

### Attention

- a. Pay attention to the level of water tank when add water.(map 3)
- b. The level of water tank should not over "MAX" scale at any time, when humidifying, the total level of water tank should not below "MIN" scale
- c. Put ice or frozen ice crystal box to the water tank if you want to strengthen the efficiency of cooling. But the total level of water tank should not over "MAX" scale



map 1



map 2



map 3

### OPERATION

- **ON:** the appliance is plugged in and on the standby mode! at the same time the buzzer reminds "Bi". Press the key, start it
- **OFF:** press the key, close it
- **Speed:** press the key, start the air cooler. The corresponding function changes as follows when press serially:
 

Low	→	Mid	→	High
		↑		
- **Mode:** press the key, choose the normal wind, natural wind and sleeping wind circularly. Under the situation of normal wind it has no corresponding indicator light shining, but others have
- **Swing:** press the key, the wind swings horizontal automatically and the swing indicator light is on. Cancel this function when press again. Swing the blades transversely manually, select the direction discretionarily.
- **Anion:** press the key, the anion generator works and releases anion, at the same time the anion indicator light is on. Cancel this function when you press again
- **Timer:** 7.5 hours timer design, each press adds 0.5 hour.
- **Cool/humidify:** press the key, if add frozen ice crystal box, the temperature from air vent can lower about 37°F after a few minutes. Cancel this function when press again

### THE USE OF REMOTE CONTROL

Fit on two batteries. Should aim at the reception window of remote control when you use, the effective distance must be 236m. When the remote control is not in use, please put away it for using next time

#### Attention:

- a. Do not mix old battery with the new one in use
- b. Please take out the batteries for long time nonuse

### THE USE OF ICE CRYSTAL BOX

The ice crystal box has a particular feature of keeping cool, it can absorb heat and let the water temperature below the environmental temperature

#### Using methods:

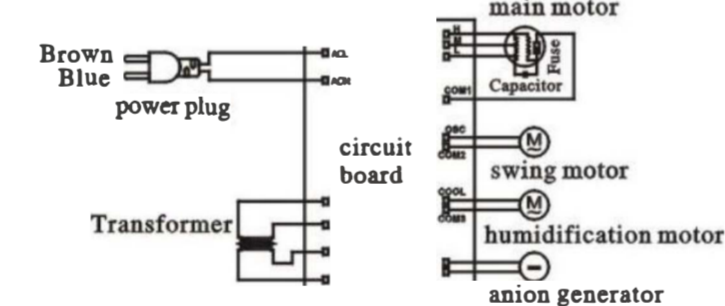
3

- a. Add water to the ice crystal box (not full) and put it into the refrigerator to make sure that it iced absolutely.
- b. Open the door, put the frozen ice crystal box into the water tank
- c. There have two ice crystal boxes, so can be used circularly.

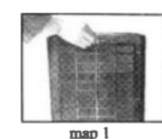
### CAUTION

1. Use as per the rating voltage
2. Do not repair or remake the appliance by yourself, it should be repaired by the repairman
3. Do not operate the appliance with wet hands, in order to avoid damage
4. If the supply cord is damaged, it must be replaced by the manufacturer, its service agent or similarly qualified persons in order to avoid a hazard
5. When the appliance is not in use, switch off and unplug it
6. Do not insert foreign things to air outlets and inlets, in order to avoid damage
7. Do not use the appliance near explosive and combustible gas. Avoid long-term direct solar radiation
8. Use the appliance only on a flat surface
9. Do not use outdoors
10. The level of water tank should not over "MAX" scale at any time, when humidifying, the total level of water tank should not below "MIN" scale
11. After adding water to the water tank, do not tilt or knock over it when you put or move. If you want to move, please push slowly from the side, in order to avoid spilling
12. Do not turn over the appliance. If it is toppled over and there is some water in the body, should unplug the power supply first. Then send it to repair department or after-sales service and overhaul the appliance
13. Do not cover the air vent
14. Clean the appearance with a lightly damp cloth. Do not use any type of detergents or solutions
15. Do not make air outlets and inlets near the wall or curtain
16. Do not knock or shake the body when using, otherwise it may cause stop automatically.
17. The water in tank will easily metamorphose and has odor in summer, please renew the water frequently.
18. This appliance is not intended for use by persons (including children) with reduced physical, sensory or mental capabilities, or lack of experience and knowledge, unless they have been given supervision or instruction concerning use of the appliance by a person responsible for their safety.
19. Children should be supervised to ensure that they do not play with the appliance
20. To avoid the risk caused by instability of unit, you must fix the unit firmly according to manual book
21. Fan for temperate climates only.
22. Should it be necessary to move the unit after the water has been added, roll gently to the required position and activate the bracket the castors

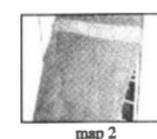
### ELECTRIC PRINCIPLE DIAGRAM



### CLEANING AND MAINTENANCE



map 1



map 2



map 3



map 4

WARNING: Ensure that the fan is switched off from the supply mains before removing the air filter screen

1. Clean the air filter screen (map 1)  
Cut off the power supply, pull the handle of air filter screen, remove it from appliance  
Clean the air filter screen with neutral detergent and banister brush, then clean it with clear water. Finally, reinstall to the appliance
2. Clean the wetted pad (map2, map3)  
Cut off the power supply, take down the air filter screen, then draw the wetted pad from support. Clean the wetted pad with neutral detergent and banister brush, then clean it with clear water. Finally, reinstall to the appliance  
Attention: the wetted pad must be installed horizontally, in order to avoid leaking.
3. Clean the water tank (map 4)  
Cut off the power supply, open the door, take out the water tank, clean it with neutral detergent, and wash it with clear water, then reinstall to the appliance
4. Clean the shell  
Clean with neutral detergent and soft cloth  
Attention: cut off the power supply when clean the appliance, as there have a high pressure in the body. Do not leave any water on the surface of control panel

5

### MALFUNCTION AND MAINTENANCE

Malfunction	Causes	Solution
No action	1. Power off or poor connection 2. Not press the "ON/OFF" key on the control panel	1. Plug the power cord and make sure it connects well 2. Press the "ON/OFF" key on the control panel
Poor effect of dedusting	1. Block the air filter screen with dust 2. Block the air inlet with corpus alienum	1. Purify the air filter screen 2. Remove corpus alienum from the air inlet

Repair the appliance under the situation as follows

1. Abnormal action or no action. it is invalid by the above approach
2. Abnormal action caused by ingress of water or corpus alienum

6

## Welcome to visit our website and purchase our quality products!

Your suggestions and comments for COSTWAY are really important to us!  
We sincerely solicit you to go back to our shop and leave a good rating in just a simple click. It would be quite encouraging if you could kindly do so like below:

★★★★★ Great products so far

February 24, 2019  
Great products so far. Fast delivery, easy setup, and working without any issues

With your inspiring rating, COSTWAY will be more consistent to offer you EASY SHOPPING EXPERIENCE, GOOD PRODUCTS and EFFICIENT SERVICE!

US office: Fontana, California

UK office: Ipswich

7

4