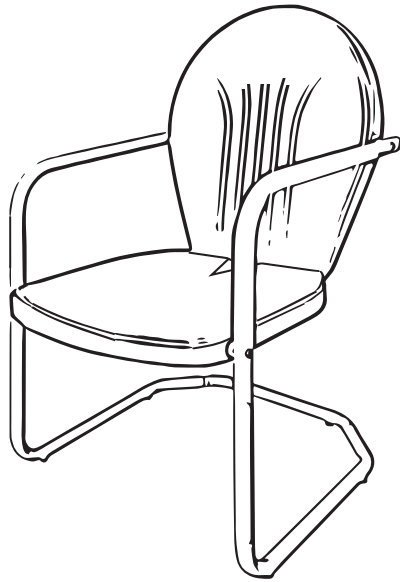


**IMPORTANT: READ CAREFULLY BEFORE BEGINNING!**

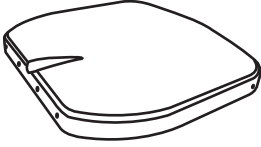
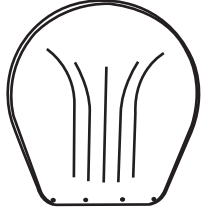

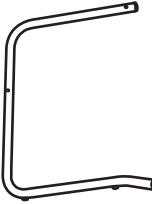
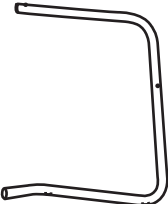
- Make sure that all parts and hardware are present before assembly.
- Assemble on an a non-marring and level surface
- Do not completely tighten all bolts and screws until the Chair is fully assembled.

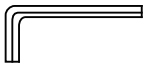
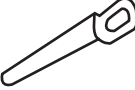





## RETRO METAL CHAIR

ITEM #: TX 93486 , TX 93488, 93487

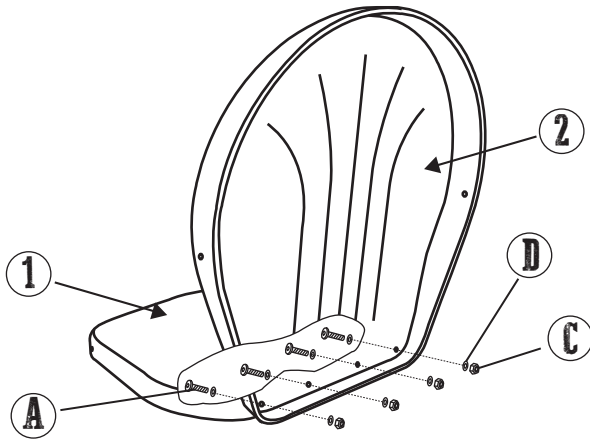


### PARTS AND HARDWARE LIST

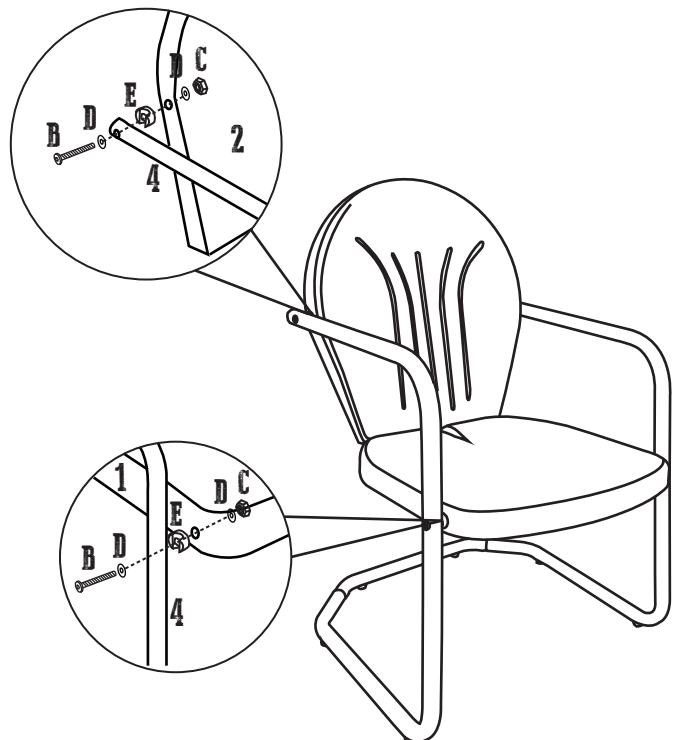
①		②	
SEAT PANEL  X 1PC		BACK PANEL  X 1PC	
③		④	
 X 1PC		 X 1PC	
⑤		⑤	
		 X 1PC	

Tools included	Ⓐ M6-16	Ⓑ M6-40	Ⓒ	Ⓓ	Ⓔ
 	 BOLT X 4PCS	 BOLT X 4PCS	 X 8PCS	 X 16PCS	 X 4PCS

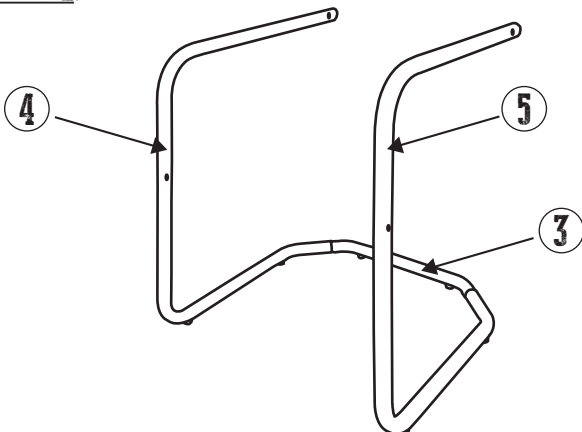
**STEP 1:**



**STEP 3: Finish**



**STEP 2:**



**Congratulations  
on your assembly!**

# Limited Warranty and Care Instructions

## LIMITED ONE YEAR WARRANTY (NON-TRANSFERABLE)

This product is covered under United General Supply's (UGS) one (1) year limited warranty. To the original purchaser of this piece of furniture, cooler or accessory; UGS warrants that it will be free from defects in material and workmanship for up to one year from the date of purchase under normal use and proper care.

Replacement of defective or missing parts will be sent at no charge to the customer for a period of 30 days from the date of purchase. UGS will no longer be responsible for missing parts or hardware 30 days after date of purchase. Freight, packaging, labor and/or material charges to and from our customer service center is not covered under the warranty and is therefore the customer's responsibility.

The limited warranty does not cover this piece of furniture, cooler or accessory for commercial purposes, abusive use, damage by modification, freeze damage, rust, fading and issues caused by improper care.

For minor defects or missing parts/hardware, please contact customer service immediately upon purchase. Please do not return product to the store unless the product is irreparable. A customer service agent may help determine whether the damage is reparable and will provide further instructions.

For returns and refunds, please refer to your local store return policy with proof of purchase.

Proof of purchase (dated register receipt) will be required for warranty claims.

**ASSEMBLY WITH POWER TOOLS MAY VOID THIS WARRANTY.**

## PROPER CARE INSTRUCTIONS

To clean, use a mild soap and rinse with water. To dry off completely with a soft cloth. During a long periods of non-use, store furniture in the covered and dry place. For the least maintenance, use under covered area.

Customer Service may be reached Monday through Friday from 9:00a.m. to 5:00p.m. CST.

**HELP@UGSCO.COM OR 1-877-87LEIGH (53444).**

**Leigh**   
**Country**

Authentic Country Living

**DISTRIBUTED BY:**

**UNITED GENERAL SUPPLY CO., INC.**

**HOUSTON, TX 77036**

**[www.LeighCountry.com](http://www.LeighCountry.com)**