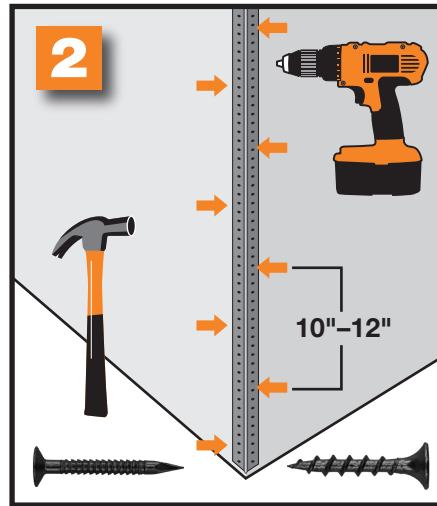


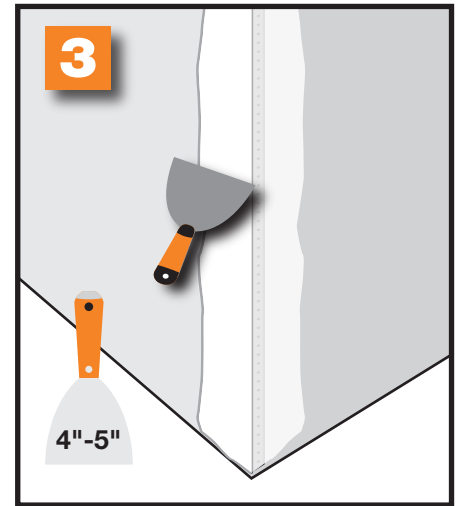
1 Measure & Cut

Measure 1/2 inch shorter than the floor to ceiling distance. Make two cuts toward the centerline, using tin snips. Use one continuous length, do not splice.



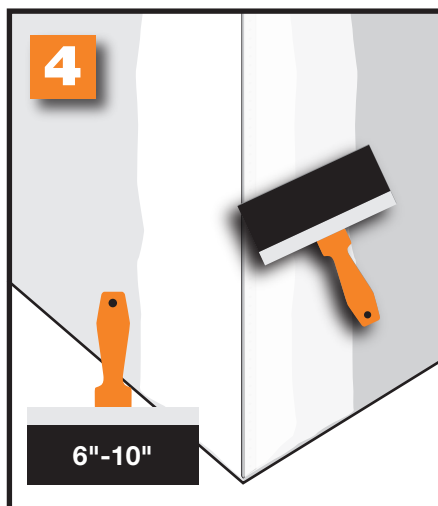
2 Center & Affix

Hold corner bead firmly in place and affix with drywall nails or screws, every 10 to 12 inches. Slightly dimple each fastener.



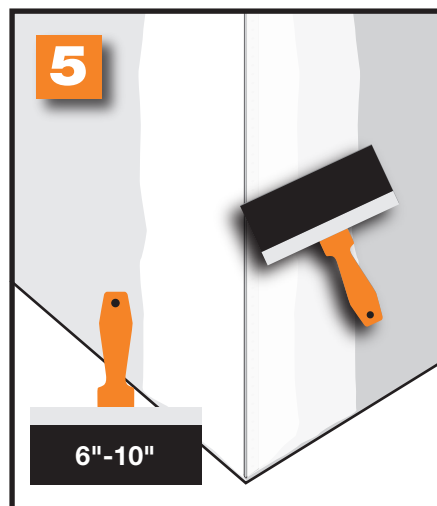
3 First Mud

Using a 4"- 6" drywall knife, apply a generous coat of drywall joint compound to each side. Feather the compound 4" - 5" from the corner. Allow to dry.



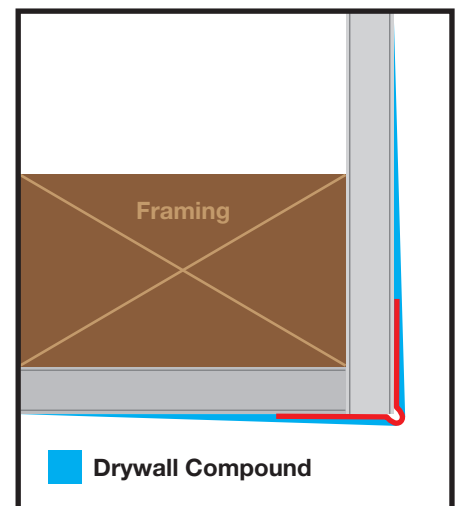
4 Second Mud

Using a 6"- 10" drywall tapping knife, apply a thinner coat of drywall joint compound to each side. Feather the compound 8" - 10" from the corner. Allow to dry.



5 Skim Coat

Apply a thinner third coat of drywall joint compound to each side, feathered 10" - 12". Allow to dry.



Top View

Overlapping drywall sheets form the corner. The feathering of the drywall joint compound smoothly covers the nails & corner bead.