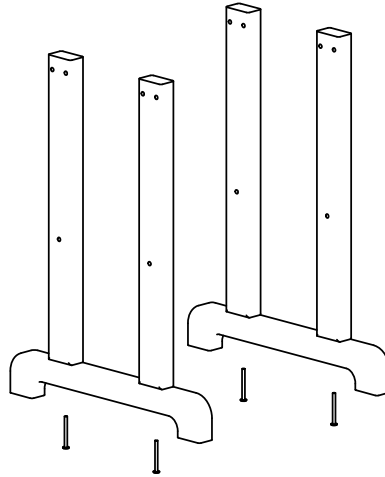


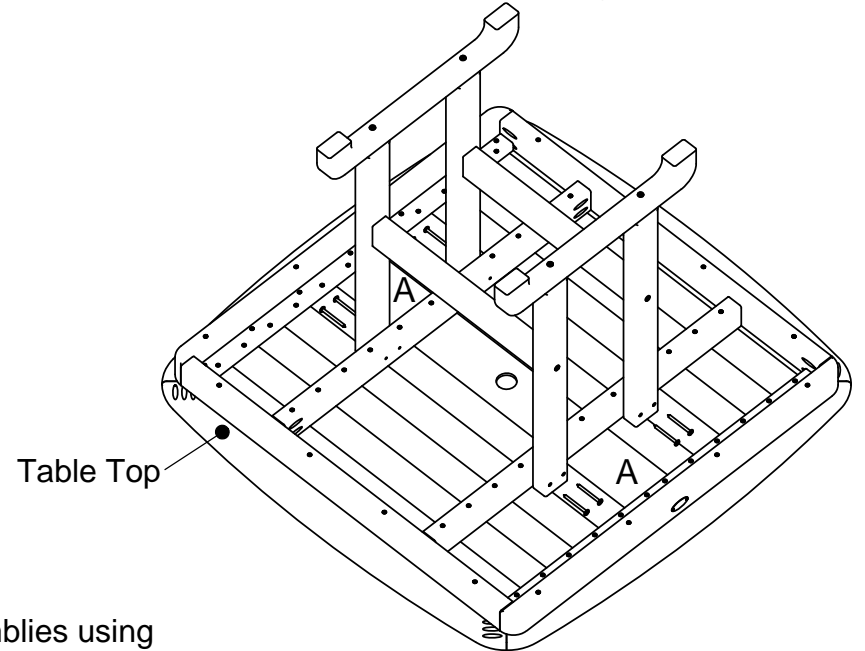
**Model:**  
NCT44, NCCT44,  
NCRT44, NCBT44

- (1) Table top
- (4) Leg
- (2) Foot
- (2) Brace
- (1) Hardware pack

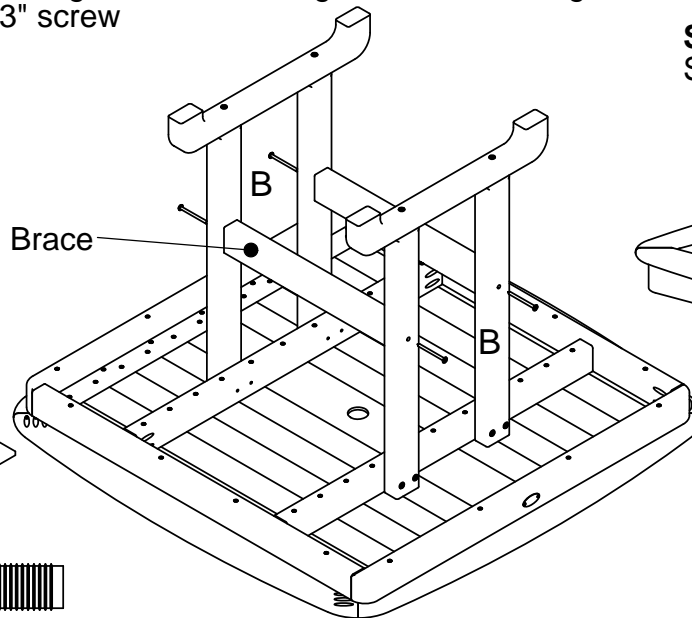
**Step 1**  
Attach feet to legs using (4) 3/4" Chair bolts.



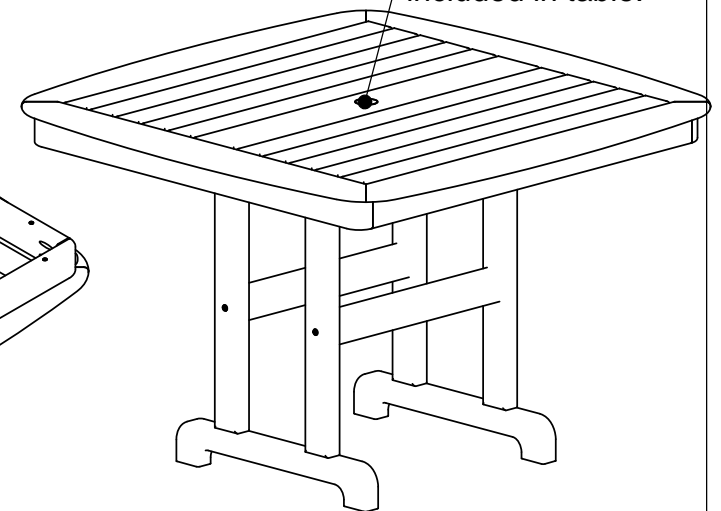
**Step 2**  
Lay table top on flat surface.  
Attach the leg assemblies to the table frame using (8) .27x2 1/2" screw \*Do not tighten until last step



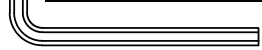
**Step 3**  
Attach the leg braces to the leg assemblies using (4) .27x3" screw



**Step 4**  
Set table upright and tighten all bolts.  
Removable table plug included in table.



## TOOLS NEEDED



4mm HEX KEY: INCLUDED

Qty.	Description
8	A - .27 X 2-1/2 SOCKET WAFER A
4	B - .27 X 3 SOCKET WAFER A
4	C - 1/4-20 X 3-1/4 WAFER SHCS

