

DANGER

- EXPLOSION - FIRE HAZARD
- Keep solid combustibles, such as building materials, paper or cardboard, a safe distance away from the heater and reflector as recommended by the instructions.
- Provide adequate clearances around air openings into the combustion chamber.
- Never use the reflector in spaces which do or may contain volatile or airborne combustibles, or products such as gasoline, solvents, paint thinner, dust particles or unknown chemicals.
- During operation, this product can be a source of ignition. Keep the reflector area clear free from combustible materials, gasoline, paint thinner, cleaning solvents and other flammable vapors and liquids. Do not use heater or reflector in areas with high dust content. Minimum heater clearances from combustible materials: three (4) feet from the sides & two (2) feet from the top.
- For outdoor use only.
- Never use inside house, or other unventilated or enclosed areas.

WARNING

Heater controls must face away from the reflector.

CAUTION

SERVICE SAFETY

- Keep all connections and fittings clean. Make sure propane cylinder valve outlet is clean.
- Inspect hose before use. Replace if there is evidence of abrasion or wear.
- During set up, check all connections and fittings for leaks using soapy water. Never use a flame.
- Use as a heating appliance only. Never alter in any way or use with any device.
- Check entire hose at least annually.
- Thoroughly inspect this product and the heater for any damage prior to each use.
- Do not use product if product is damaged or malfunctioning.
- Install and use only on full sized, round, gas patio heaters as shown in installation diagrams below.

Operations Checklist

For a safe and pleasurable heating experience, perform this check before each use.

Before Operating:

- I am familiar with the entire manual and understand all the precautions noted within.
- All components are properly assembled, intact and operable.
- No alterations have been made.
- All gas connections are secure and do not leak.
- Wind velocity is below 5 mph.
- Outdoor temperature is greater than 40 degrees F.
- Heater is outdoors (outside any enclosure).
- There is adequate fresh air ventilation.
- Heater is away from gasoline or other flammable liquids or vapors.
- Heater is at least 36" from combustible materials.
- Heater is on a hard and level surface.
- There are no signs of spider or insect nests.
- All burner passages are clear.
- All air circulation passages are clear.
- Children, pets, clothing, flammable materials, and items that can be damaged from radiant heat are away from the heater.
- Children and adults in the area have been alerted to the high temperature hazards: especially burns and clothing fires.
- Children and adults in the area have been warned not to touch heater or reflector during operation and until both have cooled.
- Reflector has been thoroughly inspected for any damage or missing parts.
- Reflector is installed on a full sized, round, gas patio heater as shown in installation diagrams.
- Heater controls are faced away from the reflector as shown in the installation diagrams.
- All clamps are tightly fastened to the reflector and patio heater top.

After Operation:

- Gas control is in OFF position.
- Gas tank valve is OFF.
- Disconnect Gas line.
- Heater is upright in a secure location.
- When reflector is cool to the touch, unfasten clamps from heater top and remove reflector.



SWEET HEAT™

EVOLUTION IN OUTDOOR COMFORT

We are dedicated to your satisfaction in this purchase. If you have any issues with this product please visit sweetheatreflectors.com. We will promptly work to resolve your issue with a return.

Love sweet heat reflectors? Let us know!
Spread the word!



Instagram handle: @sweetheatreflectors



www.facebook.com/sweetheatreflectors

Amazon customers:

1. Log into your amazon account
2. Click **Your account > Your orders > Locate your order**
3. Click **Write a product review**

WE APPRECIATE YOUR FEEDBACK!

If you need help with assembly or installation, or discover any missing/damaged parts, please contact us at

support@sweetheatreflectors.com

YOUR SATISFACTION IS OUR HIGHEST PRIORITY!

Please read all safety information and assembly instructions in the following pages before use. By using this product, you acknowledge that you have read and agreed to the safety instructions within this pamphlet and found online. You also agree to hold Sweet Heat LLC harmless in the event you do not follow the safety instructions.

General Safety Information

This manual contains important information about the assembly, operation and maintenance of this reflector. General safety information is presented in these first few pages and is also located throughout the manual.

Keep this manual for future reference and to educate new users of this product. This manual should be read in conjunction with the labeling on the product.

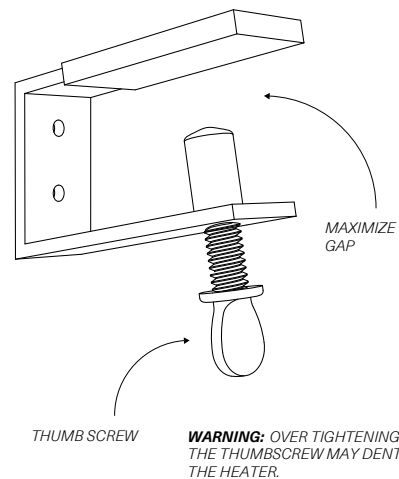
Safety precautions are essential when any mechanical or propane fueled equipment is involved. These precautions are necessary when using, storing, and servicing. Using this equipment with the respect and caution demanded will reduce the possibilities of personal injury or property damage.

The following symbols shown below are used extensively throughout this manual. Always heed these precautions as they are essential when using any mechanical or fueled equipment.

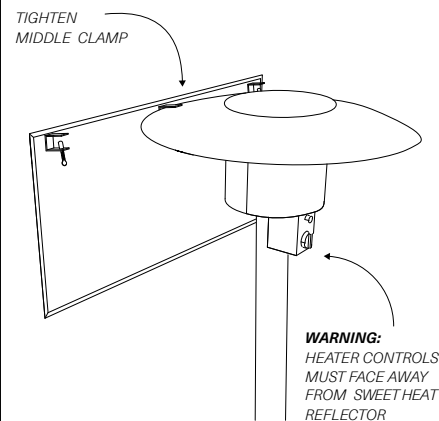
ASSEMBLY INSTRUCTIONS

Note: Do not install more than one reflector on a single heater and remove protective film before use. Follow all safety and assembly instructions before using this product. End user and/or operator assumes liability for all risk and/or damage to property and/or persons that may result from use and/or handling of this product and/or improper installation.

- 1A.** PREPARE FOR INSTALLATION BY MAKING SURE THE HEATER IS OFF AND COOL PRIOR TO ASSEMBLY.
- 1B.** TURN THUMB SCREWS ON ALL THREE CLAMPS TO MAXIMIZE GAP.

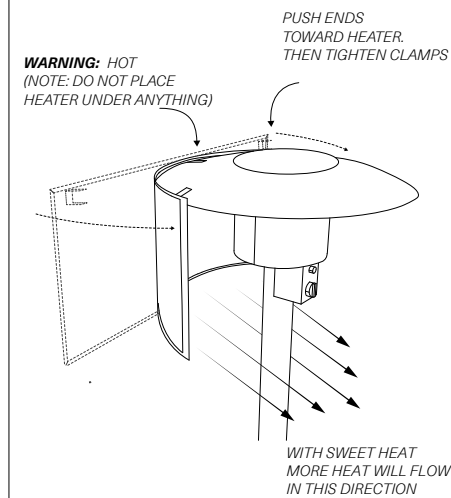


- 2A.** START WITH THE MIDDLE CLAMP. PLACE MIDDLE CLAMP OPPOSITE TO HEATER CONTROLS.



- 2B.** TIGHTEN THUMB SCREW UNTIL SNUG AND REFLECTOR FEELS SECURELY ATTACHED TO HEATER.

- 3A.** AFTER SECURING THE MIDDLE CLAMP, PUSH EACH OF THE SIDES TOWARD THE HEATER AND TIGHTEN EACH THUMB SCREW SNUGGLY TO SECURE REFLECTOR TO HEATER.



- 3B.** TIGHTEN THUMB SCREWS UNTIL SNUG AND REFLECTOR FEELS SECURELY ATTACHED TO HEATER.
(NOTE: INSPECT THUMB SCREWS OFTEN, TIGHTEN AS NEEDED AND DO NOT TOUCH OR HANDLE WHILE HOT)

REMINDER

After following proper assembly instructions, please review the operational checklist on the last page prior to use. This will provide a thorough check before you begin to enjoy the reflector and remain safe during and after each use.

! DANGER

DANGER indicates an imminently hazardous situation which, if not avoided, will result in death or serious injury.

! WARNING

WARNING indicates an imminently hazardous situation which, if not avoided, could result in death or serious injury.

! CAUTION

CAUTION indicates an imminently hazardous situation which, if not avoided, may result in minor or moderate personal injury, or property damage.

! WARNING: For Outdoor Use Only

! WARNING

Please follow all safety instructions that came with your unit. Improper installation, adjustment, alteration, service or maintenance can cause injury or property damage. Read the instructions thoroughly before installing or servicing this equipment.

! WARNING

- If you smell gas:
 - Shut off gas to the propane.
 - Extinguish open flame.
 - If odor continues, immediately call your gas supplier.
- Do not handle this product while hot.
- Remove the product from any heater when not in use.
- Remove in windy, stormy, or other inclement weather.
- Never use in unfavorable conditions.
- Do not use in windy weather. The heat reflector can cause the heater to tip over in as little as 5 mph winds.
- Do not use if winds exceed 5 mph.

! WARNING

FOR YOUR SAFETY

- Heater will be hot after use. Handle with extreme care.
- Do not cross under or stay under or near the vicinity of this product while installed.
- Do not use if safe operating temperatures of heater and/or surrounding objects are exceeded.
- Maintain a minimum distance of at least 8 inches between any part of this product and the source of heat.
- Do not stick any part of your body or any objects in between the reflector and the heating unit while the heating unit is on. This area will be extremely hot and you should approach with extreme caution.

! WARNING

We cannot foresee every use which may be made of our reflectors. Check your local fire safety authority if you have questions about the heater or reflector use. Other standards govern the use of fuel gases and heat producing products for specific uses. Your local authorities can advise you about these. If no local codes exist, follow National Fuel Gas Code, ANSI Z223.1. In Canada, installation must conform to local codes. If no local codes exist, follow the current National standards of CANADA CAN/CGA-B 149.2.

! WARNING

BURN HAZARD

- Never leave heater or reflector unattended when hot or in use.
- Keep out of reach of children.
- Do not expose this product to flame or direct heat.

! DANGER

Failure to comply with the precautions and instructions provided with this reflector can result in death, serious bodily injury and property loss or damage from hazards of fire, explosion, burn, asphyxiation, and/or carbon monoxide poisoning.

Only persons who can understand and follow the instructions should use or service this heater.