

REPAIR SHEET

BRAND

RYOBI

DESCRIPTION

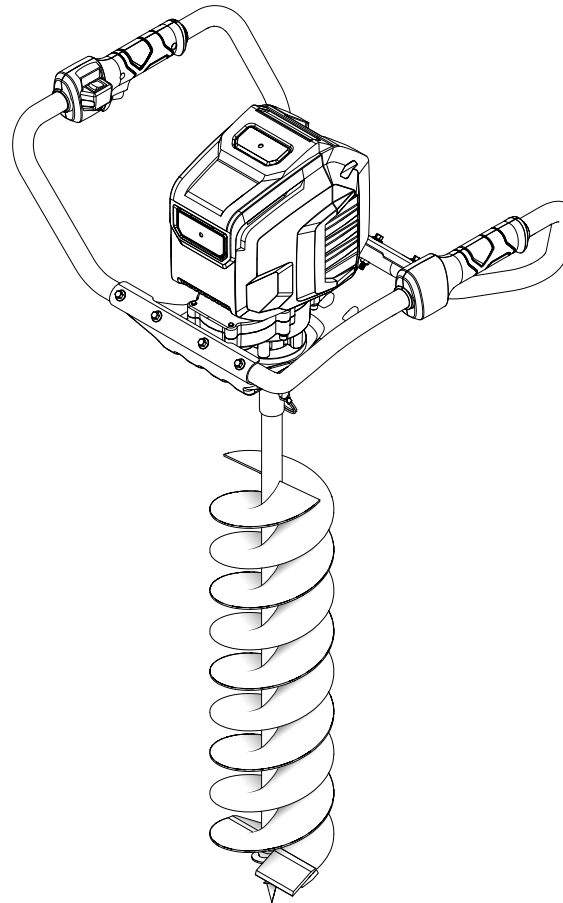
40 Volt Brushless Hole Auger

MODEL NO.

RY40701VNM

MFG. NO.

108630001

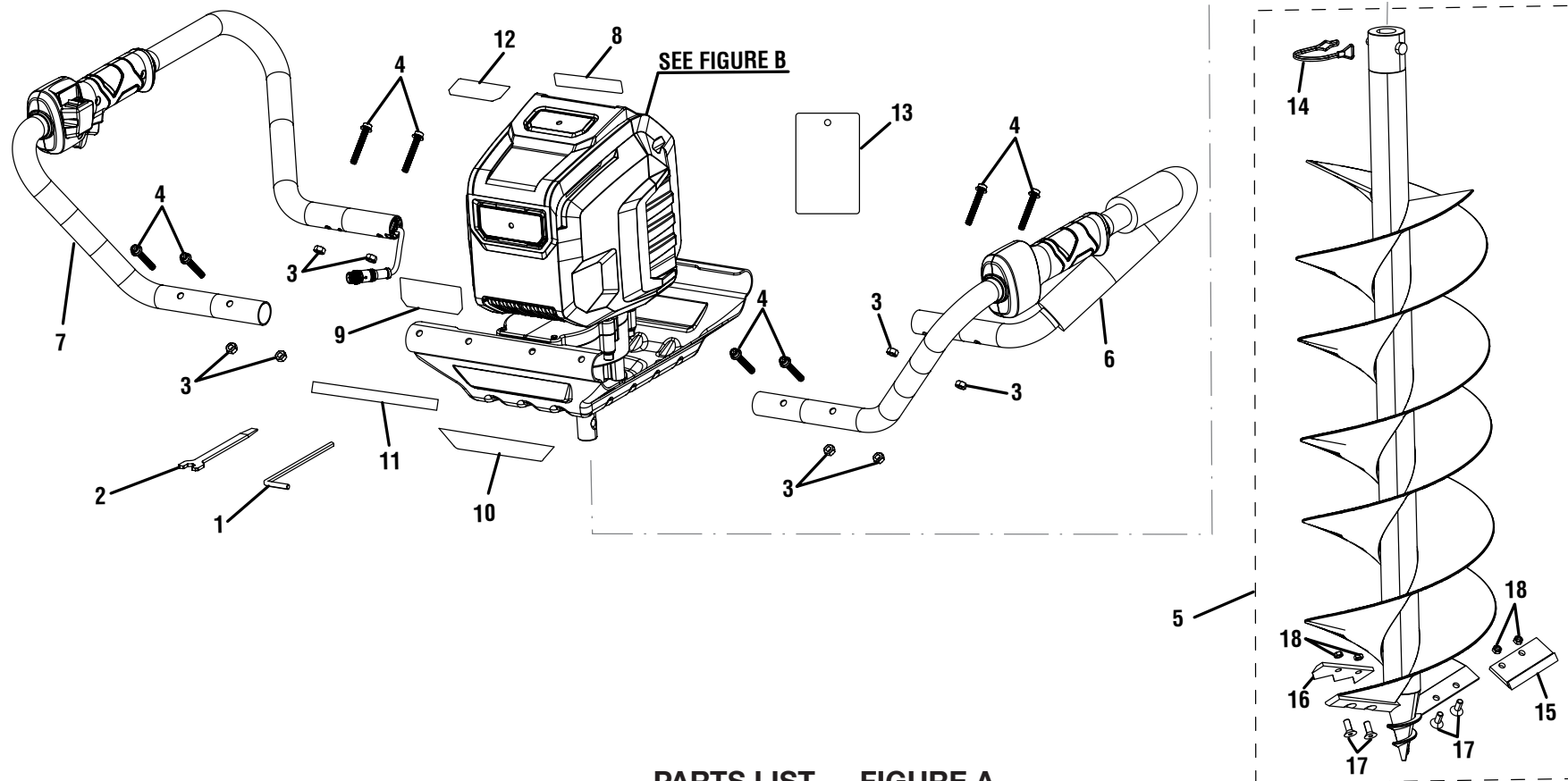


TECHTRONIC INDUSTRIES POWER EQUIPMENT

P.O. Box 1288, Anderson, SC 29622 ■ 1-800-525-2579 ■ www.ryobitools.com

2-17-21 (Rev:01)

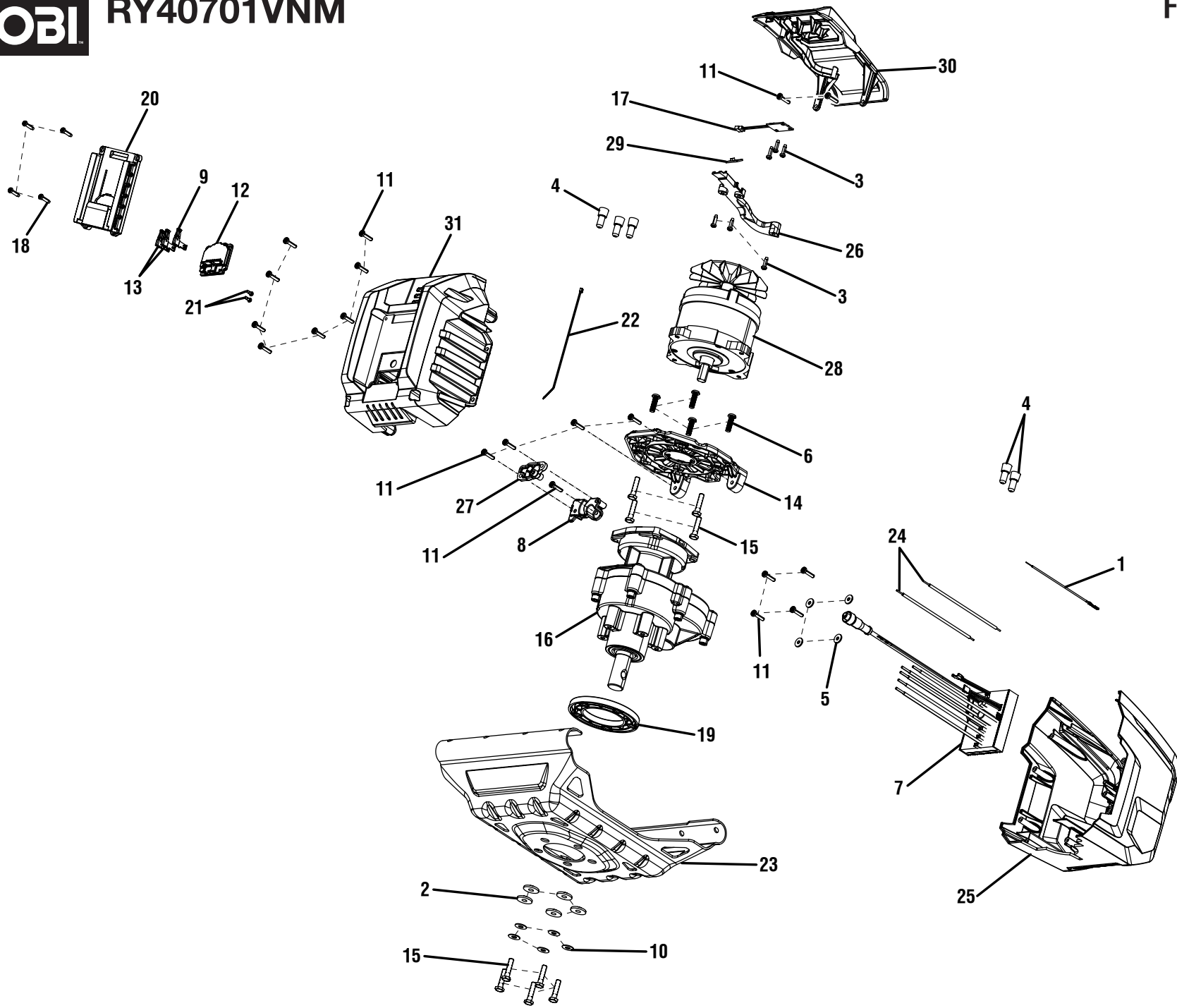
The model number and manufacturing location will be found on a label attached to the product. Always mention this information in all communications regarding this product and when ordering parts.



PARTS LIST – FIGURE A

KEY NO.	PART NO.	DESCRIPTION	QTY.
1	639850001	Hex Key	1
2	639255001	Combination Wrench	1
3	678029002	Hex Nut (M6)	8
4	660481031	Screw (M6, Hex Hd.)	8
5	682486001	Auger (Inc. Key Nos. 14-17)	1
6	317209001	Handlebar Assembly (Left)	1
7	317210001	Handlebar Assembly (Right)	1
8	941588763	LED Label	1
9	941588759	RYOBI Logo Label	1
10	941588758	Data Label	1

KEY NO.	PART NO.	DESCRIPTION	QTY.
11	941588757	Icon Label	1
12	941588761	Brushless Logo Label	1
13	918013099	Instruction Hang Tag	1
14	674269001	Safety Clip	1
15	682563001	Flat Blade Tip	1
16	682565001	Serrated Tip	1
17	663138001	Screw	4
18	678292002	Nut	4
	Not Shown:		
	998000275	Operator's Manual	





RY40701VNM

PARTS LIST – FIGURE B

KEY NO.	PART NO.	DESCRIPTION	QTY.
1	292273001	Wire Assembly	1
2	542043001	Isolation Bushing	5
3	661817001	Screw (M4 x 14 mm)	6
4	870601002	Close-End Connector	5
5	678125001	Flat Washer (ID4.3 x OD12 x 1.5t)	4
6	660697002	Bolt (M6 x 20 mm, Torx Hd.)	4
7	281020006	Motor Controller	1
8	542135001	Cable Strain Relief Base	1
9	658139002	Battery Connection Terminal	1
10	638557001	Washer (ID6.2 x OD15 x 0.8t)	5
11	660466001	Screw (M4 x 18 mm)	19
12	532760002	Common Foot Cover	1
13	658139001	Battery Connection Terminal	2
14	542091001	Motor Mounting Bracket	1
15	660722002	Hex Bolt (M6)	9
16	220709001	Gear Box	1

KEY NO.	PART NO.	DESCRIPTION	QTY.
17	281170001	Gyro Circuit Board Assembly	1
18	662028001	Screw (M4 x 16 mm)	4
19	542044001	Isolation Ring	1
20	535110000	Battery Foot Adapter	1
21	660203001	Screw (M3 x 8 mm, Pan Hd.)	2
22	790003001	Cable Tie	1
23	659593001	Base Plate	1
24	292249001	Wire Assembly	1
25	542024001	Front Housing	1
26	542137001	Wire Retainer	1
27	542134001	Cable Strain Relief Top	1
28	742710001	Motor	1
29	281208003	Circuit Board LED	1
30	542026001	Top Housing	1
31	542025001	Rear Housing	1

