

Features

- Bracket pivots and rotates to position handshower at desired angle.
- Coordinates with Awaken handshowers, showerheads and showering accessories.

Material

- Metal construction.
- KOHLER finishes resist corrosion and tarnishing.

Installation

- Wall-mount



For complete listing of available colors, go to kohler.com.

Codes/Standards

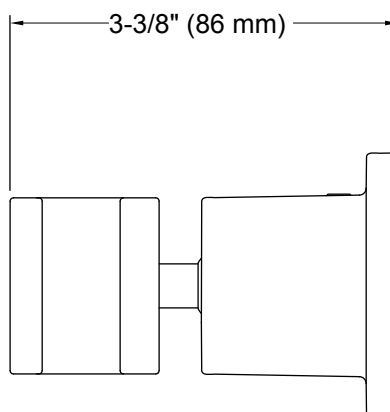
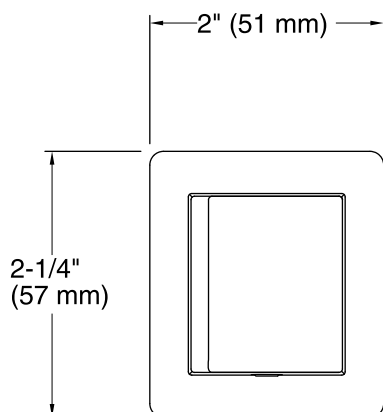
ASME A112.18.1/CSA B125.1

KOHLER® Faucet Lifetime Limited Warranty

See website for detailed warranty information.

Product Specification

Adjustable handshower bracket shall be 3-3/8" (86 mm) in length, 2" (51 mm) in width, and 2-1/4" (57 mm) in height. Adjustable handshower bracket shall be made of metal construction. Adjustable handshower bracket shall pivot and rotate. Adjustable handshower bracket shall be wall-mount installation. Adjustable handshower bracket shall be Kohler Model K-98348.



Installation Notes

Install this product according to the installation guide.