

NEVER LEAVE THE HEATER UNATTENDED WHILE BURNING!



OPERATING INSTRUCTIONS AND OWNER'S MANUAL

Model #

MH18CH

READ INSTRUCTIONS CAREFULLY: Read and follow all instructions. Place instructions in a safe place for future reference. Do not allow anyone who has not read these instructions to assemble, light, adjust or operate the heater.



PORTABLE PROPANE CABINET HEATER

DO NOT LEAVE HEATER UNATTENDED OR IN OPERATION WHILE SLEEPING

LANGUAGES INCLUDED

- English
- French
- Spanish



GENERAL HAZARD WARNING:

FAILURE TO COMPLY WITH THE PRECAUTIONS AND INSTRUCTIONS PROVIDED WITH THIS HEATER CAN RESULT IN DEATH, SERIOUS BODILY INJURY AND PROPERTY LOSS OR DAMAGE FROM HAZARDS OF FIRE, EXPLOSION, BURN, ASPHYXIATION, CARBON MONOXIDE POISONING, AND/OR ELECTRICAL SHOCK.

ONLY PERSONS WHO CAN UNDERSTAND AND FOLLOW THE INSTRUCTIONS SHOULD USE OR SERVICE THIS HEATER.

IF YOU NEED ASSISTANCE OR HEATER INFORMATION SUCH AS INSTRUCTION MANUALS, LABELS, ETC., CONTACT THE MANUFACTURER.



WARNING:

FIRE, BURN, INHALATION AND EXPLOSION HAZARD. KEEP SOLID COMBUSTIBLES SUCH AS BUILDING MATERIALS, PAPER OR CARDBOARD A SAFE DISTANCE AWAY FROM THE HEATER AS RECOMMENDED BY THE INSTRUCTIONS. NEVER USE THE HEATER IN SPACES WHICH DO OR MAY CONTAIN VOLATILE OR AIRBORNE COMBUSTIBLES OR PRODUCTS SUCH AS GASOLINE, SOLVENTS, PAINT THINNER, DUST PARTICLES OR UNKNOWN CHEMICALS.




WARNING: NOT FOR HOME OR RECREATIONAL VEHICLE USE

SPECIFICATIONS


MODEL NO.....MH18CH
 GAS TYPE.....LP-Gas
 GAS SUPPLY PRESSURE
 TO REGULATOR.....MAX 200 psi (1380 kPa)
 MIN 5 psi (34.5 kPa)

MANIFOLD
 PRESSURE..... 11" W.C

Do not exceed the gas supply pressures shown on rating plate for Model MH18CH. The maximum inlet gas supply pressure and the minimum inlet gas supply pressure (for purposes of input adjustment) for LP-Gas are shown as follows:

 **WARNING**
 DO NOT EXCEED 14" W.C. (1/2 psi) INLET PRESSURE TO HEATER.

VENTILATION

 **WARNING**
 THIS APPLIANCE IS UNVENTED AND MUST BE USED ONLY IN A WELL VENTILATED AREA.

The flow of combustion and ventilation air must not be obstructed. DO NOT use in a tightly enclosed area. Any combustion process requires and consumes oxygen, and may produce carbon monoxide. This heater must be operated with adequate ventilation. Two openings directly to the outdoors must be provided, one low and one high, preferably on opposite sides of the area to be heated. Each of these openings must provide at least three square inches of combustion air-intake area and exhaust outlet area for every 1000 BTUs per hour of heater input rate in order to complete the combustion/ventilation process. Provide additional ventilation for any additional fuel-burning appliances and/or additional occupants.


CLEARANCE (Minimum clearances to combustibles)

MODEL NO.	BTU/HR RATING TYPE GAS	NORMAL OPERATING POSTION	CLEARANCES TO COMBUSTIBLES			
			TOP	SIDES	BACK	FRONT
MH18CH	18,000* LP	VERTICAL	24"	12"	0"	72"

*Tank size and tank temperature can directly affect BTU output

CONTENTS

Specifications and Warnings 2
 General Information 3
 Installation Instructions..... 3-4
 Location 5
 Operating Instructions 5
 Lighting and Shut Down 6
 Maintenance Instructions..... 6
 Replacement Parts List..... 7-8
 Service and Parts Ordering Information 10


 **FOR YOUR SAFETY**
 Do not use this heater in a space where gasoline or other liquids having flammable vapors are stored or used.


The heater is designed and approved for use as a construction heater under ANSI Z83.7 - 2017 / CSA 2.14 - 2017.

We cannot anticipate every use which may be made of our heaters. CHECK WITH YOUR LOCAL FIRE SAFETY AUTHORITY IF YOU HAVE QUESTIONS ABOUT APPLICATIONS.

Other standards govern the use of fuel gases and heat producing products in specific applications. Your local authority can advise you about these.

This appliance is intended to be used primarily for the heating of buildings under construction, alteration or repair.

 **WARNING:** Fuels used in liquefied propane gas appliances, and the products of combustion of such fuel, can expose you to chemicals including benzene, which is known to the state of California to cause cancer and cause birth defects or other reproductive harm. For more information go to www.P65Warnings.ca.gov.

 **WARNING:** THIS PRODUCT CAN EXPOSE YOU TO CHEMICALS INCLUDING LEAD AND LEAD COMPOUNDS, WHICH ARE KNOWN TO THE STATE OF CALIFORNIA TO CAUSE CANCER AND BIRTH DEFECTS OR OTHER REPRODUCTIVE HARM. FOR MORE INFORMATION GO TO WWW.P65WARNINGS.CA.GOV.

GENERAL INFORMATION

- A. Your portable gas-fired infra-red heater comes fully assembled and is tested at the factory for proper gas and input as stated on the nameplate.
- B. Each heater is equipped with a 100% safety shutoff, push button valve which will automatically stop the flow of gas in the event the heater fails to operate for any reason. A tip over switch and an excess flow check are also standard on the model MH18CH.
- C. Before proceeding with this installation, be sure to inspect for damages. The freight company must be notified of any damages and request that an inspection be made. Enerco Technical Products will send replacements for damaged parts only after receiving a signed inspection report to prove the liability of the freight company.

FOR SAFE OPERATION

1. **READ THESE INSTRUCTIONS CAREFULLY. Read and adhere to these instructions. DO NOT allow anyone who has not read these instructions to assemble, light, adjust or operate this heater.**
2. **LP-Gas IS HIGHLY FLAMMABLE.** In the event of a leak, LP-Gas will accumulate and the possibility of a fire is present. LP-Gas is scented and its strong odor is readily detectable. Never strike a match, bring any flame or create an electric spark in an enclosure when you smell LP-Gas. Ventilate the area thoroughly, move the heater outside, and correct the source of the leak before attempting to light any appliance.
3. Keep children and pets away from the heater.
4. Check the heater thoroughly for damage. **DO NOT** operate a damaged heater.
5. **DO NOT** modify the heater or operate a heater which has been modified from its original condition.
6. Use only propane gas.
7. Use only VAPOR WITHDRAWAL propane supply. If there is any question about vapor withdrawal, ask your propane dealer.
8. Mount the propane cylinders vertically (shutoff valve up). Secure the 20# propane tank inside the cabinet to protect it from damage.
9. **DO NOT** direct the heater toward another propane tank within 20 feet of the heater.
10. **IMPORTANT** Use only the hose and regulator assembly provided with the heater. Replace only with factory approved components..
11. This heater is primarily intended for temporarily heating of buildings under construction, alteration or repair. Area must be well ventilated. Never use in an occupied dwelling.
12. If at any time gas odor is detected, IMMEDIATELY DISCONTINUE operation until the source of gas has been located and corrected. Read enclosed Odor Fade and Propane Sheet for additional information about detecting propane leaks.
13. Install the heater such that it is not directly exposed to water spray, rain and/or dripping water.

14. Maintain minimum clearance from combustible material (like paper). Page 2. Never place flammable items on the heater.
15. Due to the high surface and exhaust temperatures, adults and children must observe clearances to avoid burns or clothing ignition.
16. Operate only on a stable, level surface.
17. **DO NOT** connect to an unregulated propane source.
18. **DO NOT** move, handle or service while hot or burning.
19. **DO NOT** use heater on finished floors.
20. Use only in accordance with local codes or, in the absence of local codes, with the Standard for the Storage and Handling of Liquefied Petroleum Gases ANSI/NFPA 58 and CSA B149.1, Natural Gas and Propane Installation Code.

INSTALLATION INSTRUCTIONS

GENERAL

For the U.S. and/or Canada, the installation of this appliance must comply with local and/or Provincial codes or, in the absence of these codes,

- With the (U.S.) National Fuel Gas Code, ANSI Z223.1 – Latest Edition, AND with the (U.S.) Standard for the Storage and Handling of Liquefied Petroleum Gases, ANSI/NFPA 58, OR
- With the current (Canadian) CAN/CGA B149.1 AND B149.2 INSTALLATION CODES.

This heater (including hose and regulator assembly) must be inspected before each use and at least annually by a qualified service person. If the hose for Model MH18CH shows evidence of excessive abrasion or wear, or if the hose is cut, it must be replaced prior to the heater being put into operation. The replacement hose assembly shall be that specified by the manufacturer. See the parts list.

The minimum ambient temperature rating for this heater is 20 degrees F.

This heater incorporates a "Tip Over" switch which automatically shuts off the burner in the event of tipping. Ensure that this switch is in the vertical position and is secured with the screws provided. **DO NOT operate this heater with the LP-gas supply cylinder in any other than the upright position.**

INSTALLATION OF BASE TANK SUPPORT

Packaged Items :

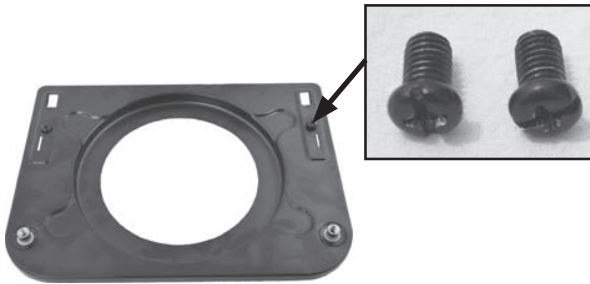
Base Tank Support
Part # 27521



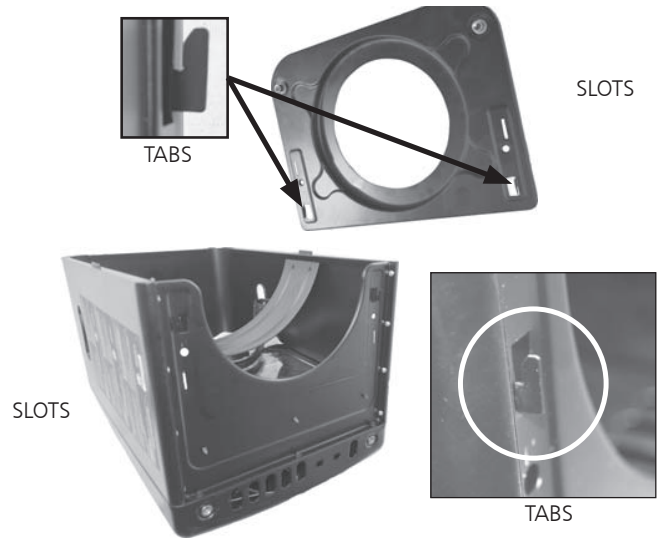
(4) Locking Casters
Part # 27514



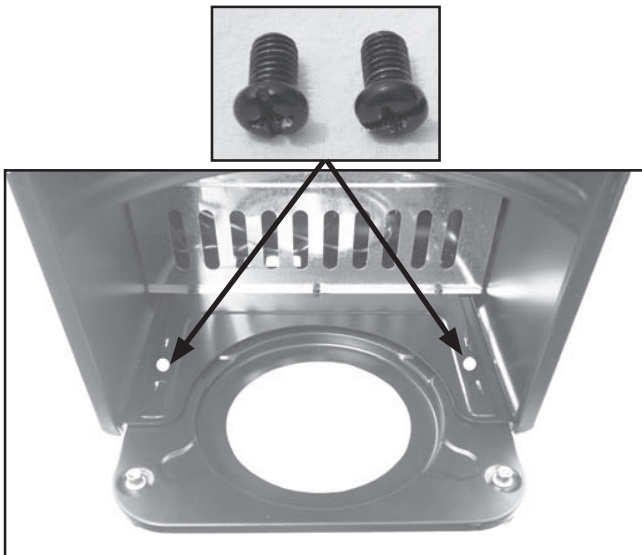
1. Remove the two phillip head screws from the base tank support.



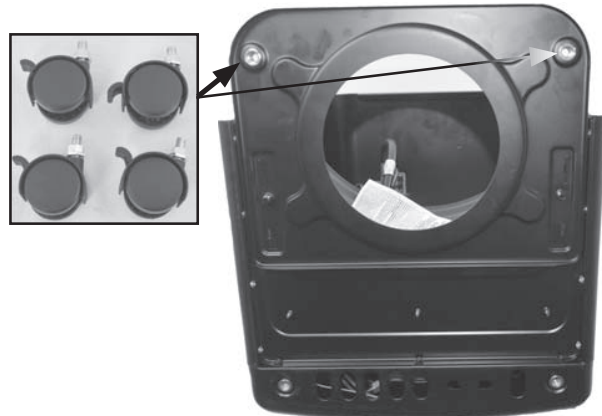
2. Align the Base Tank Support tabs (2) with the open slots(2) on the bottom of the heater along with aligning the bottom heater tabs(2) with the open slots(2) on the base tank support. Once the tabs and slots are aligned slide down to lock into place.



3. Once the Tank Support is aligned and locked into place with bottom of the heater screw the (2) phillip head screws into place.



4. Screw the (4) casters clockwise into threaded openings on the bottom of the Tank Support and bottom of the heater.



LOCATION

Although this heater incorporates a “tip over” switch, the heater and LP-Gas supply cylinder must be located on a hard, flat, level surface to minimize the risk of accidental tipping. The LP Gas supply cylinder should be adequately restrained to prevent accidental tipping. **DO NOT OPERATE this heater with the supply cylinder in any other than the upright position.**

This appliance must be installed only in locations where the potential for physical damage to the appliance (i.e., due to physical contact) is reduced to a minimum.

Use of this heater in a draft/windy area may decrease its efficiency. If possible, operate the unit in a draft free area or turn the face of the heater away from the draft.



WARNING

NEVER USE A FORK LIFT TRUCK TYPE CYLINDER.

The connection of Model MH18CH to an LP-Gas cylinder must be made in a well ventilated area using the regulator and hose assembly supplied with the appliance. DO NOT attempt to adjust this regulator. It has been preset at the factory to provide safe and proper operation of the appliance.

IMPORTANT: To install the gas cylinder, you must first remove the tank mount bracket (ref.# 9 in parts list) located inside heater housing. After placing cylinder onto the base tank support, reinstall the bracket to secure the cylinder.

The heater must be located at least six feet away from any LP-Gas cylinder and must not be directed toward any LP-Gas cylinder within 20 feet. If more than one heater is used, they and the supply cylinders must be separated by at least 20 feet.

The gas supply must be turned off at the LP-Gas supply cylinder when the heater is not in use.

When the heater is to be stored indoors, the connection between the LP-Gas supply cylinder and the heater must be disconnected and the cylinder removed from the heater and stored in accordance with Chapter 5 of the Standard for the Storage and Handling of Liquefied Petroleum Gases, ANSI/NF-PA 58 (U.S.), OR CAN/CGA B149.2 (Canada). Never store LP tanks indoors.

Piping must be clean and free from scale or burr.

Before attempting to ignite the appliance, all gas fittings and connections must be thoroughly checked for gas leaks. Apply a small amount of a mild soap and water solution to all fittings and connections and observe for escaping bubbles. If any leaks are detected, shut off the gas supply to the appliance immediately. Wait a minimum of five minutes, repair the leak(s) and retest for leakage. Dry all fittings and connections after leak testing.



WARNING

NEVER USE A FLAME FOR GAS LEAK TESTING.

OPERATING INSTRUCTIONS



WARNING: IF YOU DO NOT FOLLOW THESE INSTRUCTION EXACTLY, A FIRE OR EXPLOSION MAY RESULT CAUSING PROPERTY DAMAGE, PERSONAL INJURY, OR LOSS OF LIFE.



CAUTION

THIS APPLIANCE IS HOT DURING NORMAL OPERATION. AVOID PHYSICAL CONTACT.



CAUTION

DO NOT PLACE CLOTHING OR OTHER COMBUSTIBLE MATERIALS ON THIS APPLIANCE.

DO NOT operate this heater if any part has been under water. Call a qualified service technician to inspect the appliance and to replace any part of the control system or gas control valve which has been under water.

This appliance must be installed and operated only in locations where the potential for physical damage to the appliance is reduced to a minimum. The owner/operator of this appliance must ensure that precautions are taken to protect the appliance from physical damage.

ODOR FADING - NO ODOR DETECTED

- Some people cannot smell well. Some people cannot smell the odor of the man-made chemical added to propane (LP) or natural gas. You must determine if you can smell the odorant in these fuel gases.
- Learn to recognize the odor of propane (LP) gas and natural gas. Local propane (LP) gas dealers will be more than happy to give you a scratch and sniff pamphlet. Use it to become familiar with the fuel gas odor.
- Smoking can decrease your ability to smell. Being around an odor for a period of time can affect your sensitivity to that particular odor. Odors present in animal confinement buildings can mask fuel gas odor.
- **The odorant in propane (LP) gas and natural gas is colorless and the intensity of its odor can fade under some circumstances.**
- If there is an underground leak, the movement of gas through the soil can filter the odorant.
- Propane (LP) gas odor may differ in intensity at different levels. Since Propane (LP) gas is heavier than air, there may be more odor at lower levels.
- **Always be sensitive to the slightest gas odor.** If you continue to detect any gas odor, no matter how small, treat it as a serious leak. Immediately go into action as discussed previously.

NEVER LEAVE THE HEATER UNATTENDED WHILE BURNING!

LIGHTING AND SHUT-DOWN

Lighting the Heater:

1. Use only the fuel intended for this appliance. Check the appliance rating plate for the correct fuel information.
2. Turn off the main gas supply to the appliance. Wait five minutes.
3. Turn on the main gas supply.
4. Depress and turn Control Knob counterclockwise to "PILOT" position and hold for 15 seconds. With the Control Knob still depressed rotate to the "OFF" position and back to the "Pilot" position to generate a spark at the ignitor. (If needed, repeat until pilot lights). Continue to hold control knob down in "PILOT" position of 30 seconds (See Figure 1).
5. Release the control knob. If the pilot does not stay lit, repeat Step 4. If the pilot stays lit, turn the control knob counterclockwise to the desired heat setting.

IMPORTANT: DO NOT attempt to adjust the main burner input using the main gas supply valve, as this may cause the thermocouple to shut down the burner.

Shut-down instructions:

To turn the heater OFF:

1. Turn the control knob clockwise to the "OFF" position.
2. Turn off the propane tank by turning the tank valve knob clockwise until it stops.
3. If the heater is not going to be used for an extended period of time disconnect the regulator/hose assembly from the propane tank.

MAINTENANCE INSTRUCTIONS

This heater (including hose and regulator assembly) must be inspected before each use. If the hose for Model MH18CH shows evidence of excessive abrasion or wear, or if the hose is cut, it must be replaced prior to the heater being put into operation. The replacement hose assembly shall be that specified by the manufacturer. See the parts list.

The appliance area must be kept free and clear of combustible materials, gasoline and other flammable vapors and liquids at all times.

The flow of combustion and ventilation air must not be obstructed.

Cleaning the heater:

Periodically, the heater must be cleaned of all dirt and dust particles.



DANGER

DO NOT ATTEMPT TO CLEAN THE HEATER WHILE IT IS OPERATING OR WHILE IT IS STILL HOT.

- Turn the heater off and wait until it has completely cooled (at least 20 minutes) before cleaning.
- Clean the outside of the heater using a damp cloth. DO NOT clean the heater by spraying water on it. Wipe the outside of the heater off with a dry cloth after cleaning.
- Clean the inside of the heater using compressed air. Using an OSHA approved blow gun, blow compressed air back and forth along the entire burner face to dislodge dust and debris from the ceramic tiles. Using an OSHA approved blow gun, blow compressed air through venturi from the control end of the heater.
- Clean the orifice of each burner with a #68 drill bit (for LP-Gas).
- Clean the thermocouple lead.

DO NOT operate this heater if any part has been under water. Call a qualified service person to inspect the appliance and to replace any part of the control system or gas control valve which has been under water.

This heater must be inspected at least annually by a qualified service person.

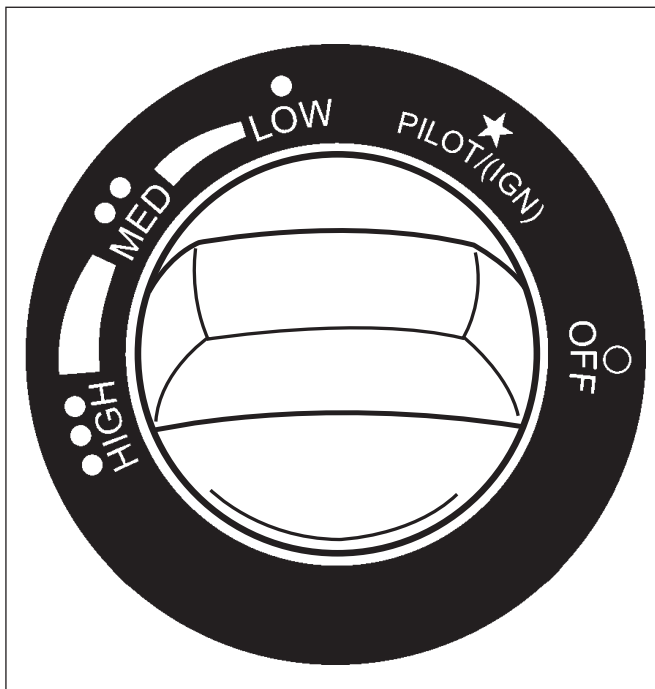


Figure 1

**TROUBLESHOOTING INFORMATION:
(Model MH18CH)**

If burner lights, but goes out when button is released.

CHECK

- Loose wires on tipover switch.
- Loose lead wire at control valve and ODS/Pilot Assembly.
- Loose thermocouple and tighten if necessary.
- Defective ODS/Pilot Assembly. Replace if necessary.
- Defective control. Replace if necessary.
- Defective tip over switch. Replace if necessary.

Tip-Over Switch Arrangement

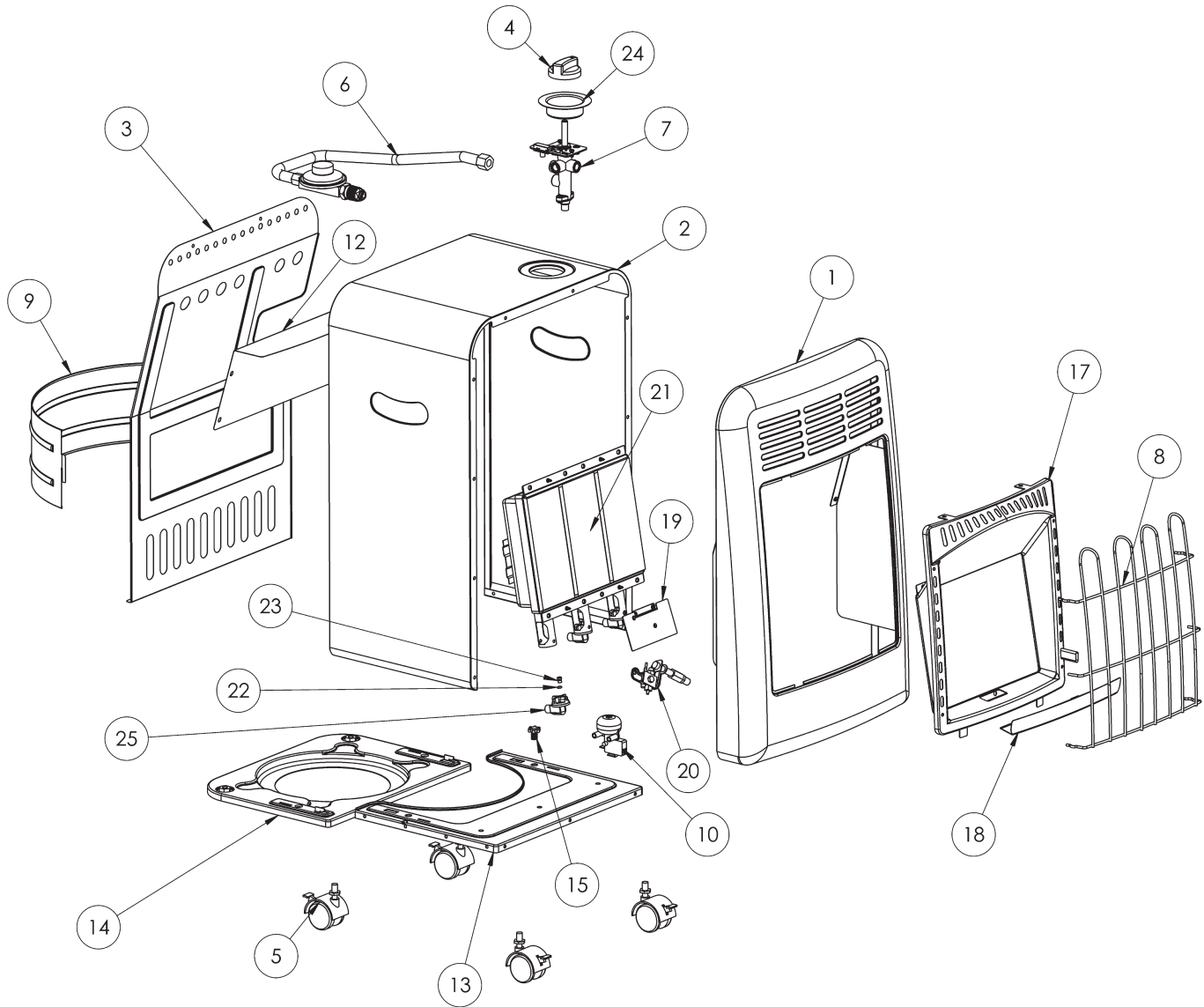
NOTE: The purpose of the Tip-Over Switch is to stop the flow of gas when heater is accidentally knocked over. When and if the heater is knocked over, simply stand heater up, wait 5 minutes and relight.

REPLACEMENT PARTS LIST

ITEM NO.	PART NUMBER	DESCRIPTION
1	27510	PANEL, FRONT, MH18CH
2	27511	PANEL, TOP, MH18CH
3	27512	SHIELD, RADIATION, MH18CH
4	27513	KNOB, CONTROL, MH18CH
5	27514	CASTER, LOCKING, MH18CH
6	27515	ASSEMBLY, HOSE, REGULATOR
7	27516	VALVE, CONTROL, MH18CH
8	27517	GUARD, WIRE, MH18CH
9	27518	BRACKET, TANK, MOUNT,
10	42116	SWITCH, TIPOVER, MH18CH
12	27524	SHIELD, HEAT, MH18CH
13	27520	BASE, METAL, MH18CH
14	27521	BASE, TANK, SUPPORT, MH18CH
15	27530	SCREW, HAND, BASE, MH18CH
16	27531	BRACKET, HOUSING, SUPPORT
17	27529	REFLECTOR, MH18CH
18	27528	GUARD, WIND, MH18CH
19	27522	BRACKET, ODS, MH18CH
20	27523	ODS, MH18CH
21	27526	ASSEMBLY, BURNER, MH18CH
22	27941	O-RING, ORIFICE
23	27527	ORIFICE, MH18CH
24	27525	BRACKET, VALVE, MOUNT
25	27532	HOLDER, ORIFICE, MH18CH

NEVER LEAVE THE HEATER UNATTENDED WHILE BURNING!

Portable Propane Cabinet Heater • Model MH18CH



IF SERVICE IS REQUIRED

PLEASE DO NOT RETURN THIS APPLIANCE TO YOUR STORE

For information regarding service, please call our Toll-Free Number: 1-800-251-0001.

Our office hours are 8:00 AM to 5:00 PM, Eastern Time Zone, Monday through Friday

Please include the model number, date of purchase and description of problem in all communication.

NEVER LEAVE THE HEATER UNATTENDED WHILE BURNING!

⚠WARNING
Air Quality Hazard

- Do not use this heater for heating human living quarters.
- Use of direct-fired heaters in the construction environment can result in exposure to levels of CO, CO₂, and NO₂ considered to be hazardous to health and potentially life threatening.
- Do not use in unventilated areas.
- Know the signs of CO and CO₂ poisoning.
 - Headaches, stinging eyes
 - Dizziness, disorientation
 - Difficulty breathing, feels of being suffocated
- Proper ventilation air exchange (OSHA 29 CFR 1926.57) to support combustion and maintain acceptable air quality shall be provided in accordance with OSHA 29 CFR Part 1926.154, ANSI A10.10 Safety Requirements for Temporary and Portable Space Heating Devices and Equipment used in the Construction Industry or the Natural Gas and Propane Installation Codes CSA B149.1.
 - Periodically monitor levels of CO, CO₂ and NO₂ existing at the construction site – at the minimum at the start of the shift and after 4 hours.
 - Provide ventilation air exchange, either natural or mechanical, as required to maintain acceptable indoor air quality.

	USA 8-Hr Time weighted average (OSHA 29 CFR 1926.55 App A)	Canada 8-hr time weighted average WorkSafe BC OHS Guidelines Part 5.1 and Ontario Workplaces Reg 833
CO	50 ppm	25 ppm
CO ₂	5000 ppm	5000 ppm
NO ₂		3 ppm (Reg 833)
	USA – Ceiling Limit (Short Term Exposure Limit = 15 minutes)	Canada STEL (15 minutes Reg 833/1 hour WSBC) WorkSafe BC OHS Guidelines Part 5.1 and Ontario Workplaces Reg 833
CO		100 ppm
CO ₂		15000 ppm (WSBC) 30000 ppm (Reg 833)
NO ₂	5 ppm	1.0 ppm (WorkSafeBC) 5.0 ppm (Reg 833)

- Ensure that the flow of combustion and ventilation air exchange cannot become obstructed.
- As the building 'tightens up' during the construction phases ventilation may need to be increased.

Installation of this appliance at altitudes above 2000 ft (610 m) shall be in accordance with local codes, or in the absence of local codes, the National Fuel Gas Code, ANSI Z223.1/NFPA 54, or National Standard of Canada, Natural Gas and Propane Installation Code, CSA B149.1

The heater has been shipped from the factory set up for operation on propane gas.

NEVER LEAVE THE HEATER UNATTENDED WHILE BURNING!

OPERATING INSTRUCTIONS AND OWNER'S MANUAL

READ INSTRUCTIONS CAREFULLY: Read and follow all instructions. Place instructions in a safe place for future reference. Do not allow anyone who has not read these instructions to assemble, light, adjust or operate the heater.

MR. HEATER

MODEL

MH18CH



WARNING:

USE ONLY MANUFACTURER'S REPLACEMENT PARTS. USE OF ANY OTHER PARTS COULD CAUSE INJURY OR DEATH. REPLACEMENT PARTS ARE ONLY AVAILABLE DIRECT FROM THE FACTORY AND MUST BE INSTALLED BY A QUALIFIED SERVICE AGENCY.

PARTS ORDERING INFORMATION:

PURCHASING: Accessories may be purchased at any Mr. Heater local dealer or direct from the factory

FOR INFORMATION REGARDING SERVICE

Please call Toll-Free 800-251-0001

www.mrheater.com • www.enerco.com

Our office hours are 8:00 AM – 5:00 PM, EST, Monday through Friday.

Please include the model number, date of purchase, and description of problem in all communication.

WARRANTY

MR. HEATER warrants that Infra Red Heaters manufactured and sold will be free from defects in material and workmanship.

Parts assemblies, controls, etc. furnished by Enerco Group, Inc. will carry a one (1) year warranty on the applicable warranties of the suppliers.

The sole responsibility of Enerco Group, Inc. under this warranty shall be to replace or repair any part for which a written claim is made to Enerco Technical Products within the time limit of this warranty which is returned upon request to Enerco Group, Inc. – F.O.B. Cleveland, Ohio – or F.O.B. any Enerco Technical Products authorized service facility and which is proved to be defective upon inspection by Enerco Technical Products.

This warranty shall not apply to any part or product which has been subjected to misuse or neglect, damaged by accident, or rendered defective by reason of improper installation. THIS WARRANTY IS IN LIEU OF ANY AND ALL OTHER WARRANTIES, EXPRESSED OR IMPLIED, and of any other responsibility of Enerco Technical Products for parts or products sold by Enerco Technical Products, including consequential or special damages. This Warranty gives you specific legal rights, and you may have other rights which vary from state to state.

Enerco Group, Inc. reserves the right to make changes at any time, without notice or obligation, in colors, specifications, accessories, materials and models.

PRODUCT REGISTRATION: Thank you for your purchase.

Please log in to <http://www.egiregistration.com> to register your product.



ENERCO GROUP, INC., 4560 W. 160TH ST., CLEVELAND, OHIO 44135 • 800-251-0001
Enerco and Mr. Heater are registered trademarks of Enerco Group, Inc.
© 2021, Enerco Group, Inc. All rights reserved

NE JAMAIS LAISSER LE CHAUFFAGE SANS SURVEILLANCE PENDANT LE BRÛLAGE!



MANUEL DE L'UTILISATEUR ET INSTRUCTIONS D'UTILISATION

MODÈLE #

MH18CH

REMARQUE : lisez et suivez les instructions d'utilisation. Rangez le manuel de l'utilisateur dans un endroit sûr aux fins de référence ultérieure. Ne laissez personne qui n'a pas lu le manuel de l'utilisateur tenter de monter, de mettre en marche, de régler ou de faire fonctionner l'appareil de chauffage.



APPAREIL DE CHAUFFAGE PORTATIF À INFRAROUGE FONCTIONNANT AU GAZ

LANGUES INCLUS

- ANGLAIS
- FRANÇAIS
- ESPAGNOL

NE LAISSEZ PAS L'APPAREIL DE CHAUFFAGE FONCTIONNER SANS SURVEILLANCE



AVERTISSEMENT CONTRE LES RISQUES GÉNÉRAUX

LE FAIT DE NE PAS RESPECTER LES PRÉCAUTIONS ET LES INSTRUCTIONS FOURNIES AVEC LE PRÉSENT APPAREIL DE CHAUFFAGE PEUT ENTRAÎNER LA MORT, DES BLESSURES CORPORELLES GRAVES, DES PERTES OU DOMMAGES DE BIENS CAUSÉS PAR LE FEU, DES EXPLOSIONS, DES BRÛLURES, L'ASPHYXIE, L'EMPOISONNEMENT AU MONOXYDE DE CARBONE OU DES ÉLECTROCUTIONS.

SEULES LES PERSONNES COMPRENNANT ET POUVANT SUIVRE LES INSTRUCTIONS DEVRAIENT UTILISER LE PRÉSENT APPAREIL DE CHAUFFAGE.

SI VOUS DÉSIREZ OBTENIR DE L'AIDE OU DES INFORMATIONS SUR LE PRÉSENT APPAREIL, COMME DES MODES D'EMPLOI, DES ÉTIQUETTES, ETC., VEUILLEZ COMMUNIQUER AVEC LE FABRICANT.



MISE EN GARDE

RISQUE D'INCENDIE, DE BRÛLURE, D'INHALATION DE SUBSTANCES TOXIQUES ET D'EXPLOSION. TEL QUE MENTIONNÉ DANS LE MANUEL DE L'UTILISATEUR, VEUILLEZ GARDER LES COMBUSTIBLES SOLIDES TELS QUE LES MATÉRIAUX DE CONSTRUCTION, LE PAPIER OU LE CARTON À DISTANCE DE L'APPAREIL DE CHAUFFAGE. N'UTILISEZ JAMAIS L'APPAREIL DE CHAUFFAGE DANS DES ENDROITS OÙ IL Y A OU IL PEUT Y AVOIR DES COMBUSTIBLES VOLATILES OU DES PRODUITS TELS QUE DE L'ESSENCE, DES SOLVANTS, DES DILUENTS À PEINTURE, DES PARTICULES DE POUSSIÈRE OU DES PRODUITS CHIMIQUES INCONNUS.



MISE EN GARDE LE PRÉSENT APPAREIL N'EST PAS DESTINÉ À ÊTRE UTILISÉ DANS UN DOMICILE OU UN VÉHICULE RÉCRÉATIF.

SPÉCIFICATIONS

NUMÉRO DE MODÈLE.....MH18CH
 TYPE DE GAZ..... Gaz propane liquéfié
 PRESSION D'ADMISSION DE GAZ
 AU RÉGULATEUR..... MAX 200 psi (1380 kPa)
 MAX 5 psi (34,5 kPa)
 PRESSION DU COLLECTEUR 11 po (28 cm) d'eau
 N'excédez pas les pressions d'admission de gaz indiquées sur la plaque signalétique pour le modèle MH18CH. Les pressions d'admission maximale et minimale (pour le réglage de l'admission) pour le gaz propane liquéfié sont les suivantes :

⚠ MISE EN GARDE
 N'EXCÉDEZ PAS 14 PO (28 cm) D'EAU (1/2 psi) DE PRESSION À LA VALVE D'ADMISSION DU GAZ.

VENTILATION

⚠ MISE EN GARDE
 LE PRÉSENT APPAREIL N'EST PAS VENTILÉ ET DOIT ÊTRE UTILISÉ SEULEMENT DANS UN ENDROIT BIEN AÉRÉ.

La circulation d'air et le flux de combustion ne doivent pas être ralentis. N'UTILISEZ PAS l'appareil dans un endroit fermé. Tout processus de combustion requiert de l'oxygène et peut produire du monoxyde de carbone. L'appareil de chauffage doit être utilisé en présence d'une aération adéquate. L'endroit où l'appareil est mis en marche doit comporter deux ouvertures qui donnent directement vers l'extérieur, soit une basse et une haute, de préférence sur des côtés opposés de la pièce. Chacune de ces ouvertures doit permettre au moins 3 pouces carrés de prise et de sortie d'air pour chaque 1 000 BTU/heure consommé par l'appareil de chauffage afin de compléter le processus de combustion/ventilation. Veuillez assurer une meilleure ventilation si des appareils à combustible ou des personnes supplémentaires se trouvent dans la même pièce que l'appareil de chauffage.

DÉGAGEMENT (Dégagement minimum pour matériau combustible)

MODÈLE NO.	TAUX BTU/HEURE TYPE DE GAZ	POSITION NORMALE DE FONCTIONNEMENT	DISTANCES DE DÉGAGEMENT AUTOUR DES COMBUSTIBLES			
			HAUT	CÔTÉS	ARRIÈRE	AVANT
MH18CH	Propane liquéfié 18.000*	VERTICALE	61 cm	30 cm	0 cm	183 cm

*La capacité et la température du réservoir peuvent influencer directement sur la production de BTU

CONTENU

Spécifications et Mises en garde 2
 Renseignements Généraux 3
 Procédures d'installation 3 - 4
 Emplacement 5
 Instructions d'utilisation 5
 Allumage et Arrêt 6
 Entretien 6
 Liste des pièces de remplacement 7 - 8
 Service à la clientèle et commande de pièces 10

⚠ MESURES DE SÉCURITÉ
 N'utilisez pas l'appareil de chauffage dans un endroit où de l'essence ou autres liquides qui dégagent des vapeurs inflammables sont entreposés ou utilisés.

Le présent appareil est destiné à être utilisé comme appareil de chauffage sur les chantiers de construction conformément à la norme ANSI Z83.7 - 2017 / CSA 2.14 - 2017.

Nous ne pouvons pas prévoir toutes les possibilités d'utilisation de nos appareils de chauffage. SI VOUS AVEZ DES QUESTIONS QUANT AUX DIFFÉRENTES UTILISATIONS POSSIBLES, VEUILLEZ COMMUNIQUER AVEC VOTRE SERVICE DES INCENDIES LOCAL.

Pour certaines applications, d'autres normes régissent l'utilisation de gaz combustibles et d'appareils de chauffage. Demandez à votre commission locale pour obtenir de plus amples informations à ce sujet.

Le présent appareil de chauffage est principalement destiné à chauffer les structures en construction ou en réparation.

⚠ AVERTISSEMENT: Les carburants utilisés dans les appareils à des produits chimiques, notamment le benzène, connu en Californie pour causer le cancer et causer des malformations congénitales ou d'autres problèmes de reproduction. POUR DE PLUS AMPLES INFORMATIONS, ALLER À www.P65Warnings.ca.gov.

⚠ AVERTISSEMENT: CE PRODUIT PEUT VOUS EXPOSER À PLOMB ET COMPOSÉS DE PLOMB, IDENTIFIÉ PAR L'ÉTAT DE CALIFORNIE COMME POUVANT CAUSER LE CANCER.POUR DE PLUS AMPLES INFORMATIONS, ALLER À WWW.P65WARNINGS.CA.GOV.

RENSEIGNEMENTS GÉNÉRAUX

- A. Votre appareil de chauffage portatif à infrarouge fonctionnant au gaz est livré entièrement assemblé. Il a été testé en usine avec la pression d'admission et le type de gaz appropriés, comme indiqué sur la plaque signalétique.
- B. Chaque appareil est muni d'une valve de sécurité à bouton presseur qui permet d'arrêter totalement et automatiquement la circulation de gaz en cas de problème. Le modèle MH18CH est également équipé d'un interrupteur de bascule et d'un indicateur de suralimentation.
- C. Avant de procéder à l'installation, veuillez vous assurer que l'appareil n'a subi aucun dommage. En cas de dommage, veuillez en informer la compagnie de transport et demander à ce qu'une vérification soit effectuée. Enerco Technical Products fournira les pièces de remplacement seulement après avoir reçu un rapport de vérification écrit qui prouve la responsabilité de la compagnie de transport.

POUR UNE UTILISATION SÉCURITAIRE

1. **VEUILLEZ LIRE ATTENTIVEMENT CES INSTRUCTIONS. Veuillez lire et suivre attentivement toutes les instructions. NE LAISSEZ PERSONNE qui n'a pas lu le manuel de l'utilisateur tenter de monter, de mettre en marche, de régler ou de faire fonctionner l'appareil de chauffage.**
2. **Le gaz propane liquéfié est HAUTEMENT INFLAMMABLE.** En cas de fuite, la quantité de gaz propane liquéfié dans l'air augmentera ainsi que les risques d'incendie. La forte odeur du gaz propane liquéfié est facilement détectable. N'allumez jamais une allumette, ne mettez jamais de flamme et ne créez jamais d'étincelle électrique en présence d'odeur de gaz propane liquéfié. Aérez bien l'endroit, sortez l'appareil à l'extérieur et colmatez la fuite avant de mettre tout appareil en marche.
3. Gardez les enfants et les animaux loin de cet appareil.
4. S'assurer que l'appareil n'est pas endommagé. **N'UTILISEZ PAS** un appareil de chauffage endommagé.
5. **NE PAS** modifier cet appareil ou faire fonctionner un appareil de chauffage qui a été modifié.
6. N'utiliser que du gaz propane.
7. N'utiliser que des bonbonnes de propane avec RETRAIT DE VAPEUR. Si vous avez des questions concernant le retrait de vapeur, veuillez consulter votre détaillant de propane.
8. Mettre les bonbonnes de propane à la verticale (valve de retenue en haut). Fixer le réservoir de propane 20# à l'intérieur du cabinet pour le protéger des dommages.
9. Ne **JAMAIS** diriger la chaleur de cet appareil vers un réservoir de propane à l'intérieur de 6 m.
10. **IMPORTANT :** Utiliser uniquement l'assemblage de boyau et de régulateur fournis avec le radiateur. Ne remplacer qu'avec des composants approuvés par le fabricant.
11. Cet appareil est principalement conçu pour le chauffage temporaire des chantiers de construction. L'endroit doit être bien aéré. Ne jamais utiliser dans une unité d'habitation habitée.
12. Si une odeur de gaz est détectée, **ARRÊTEZ IMMÉDIATEMENT** de vous servir de l'appareil jusqu'à ce la source de la fuite soit détectée et corrigée. Lire la fiche Substance Odorante et Propane ci-incluse pour de l'information supplémentaire sur la détection de fuite de propane.
13. Installez l'appareil de chauffage de façon à ce qu'il ne soit pas exposé à une vaporisation d'eau, à de la pluie et /ou à

de l'eau qui dégoute.

14. Garder un dégagement minimum de tout matériel combustible (comme du papier). Page 2 Ne jamais placer d'éléments inflammables sur l'appareil.
15. En raison de températures élevées et de la surface de chauffage, les adultes et les enfants doivent observer les dégagements sécuritaires pour éviter les brûlures ou l'inflammation des vêtements.
16. Placer sur une surface stable et de niveau.
17. **NE PAS** brancher à une source de propane non réglementée.
18. **NE PAS** déplacer, tenir ou faire l'entretien lorsque chaud ou en fonctionnement.
19. **NE PAS** utiliser l'appareil sur les planchers finis.
20. N'utiliser seulement qu'en conformité aux normes locales, à la norme sur l'entreposage et la manipulation de gaz liquéfiés ANSI/NFPA 58 et CSA B149.1, et la norme d'installation de gaz naturel et propane.

PROCÉDURES D'INSTALLATION

GÉNÉRAL

Pour les É.-U. et le Canada, l'installation du présent appareil doit être conforme aux codes locaux et/ou provinciaux ou, dans l'absence de tels codes, au,

- code national (É.-U.) de gaz inflammables, ANSI Z223.1 - dernière édition, ET à la (É.-U.) norme sur l'entreposage et la manipulation de gaz liquéfiés, ANSI/NFPA 58, OU
- CODES D'INSTALLATION (Canada) CAN/CGA B149.1 ET B149.2.

L'appareil (y compris le tuyau et l'ensemble de régulation) doit être inspecté avant chaque utilisation et au moins une fois par année par un technicien qualifié. Si le tuyau du modèle MH18CH montre des signes d'usure excessive, ou s'il est coupé, il doit être remplacé avant que l'appareil de chauffage ne soit mis en marche. La tuyauterie de remplacement doit avoir été approuvée par le fabricant. Voir la liste des pièces.

La température minimale ambiante pour utiliser le présent appareil est de -6,6 degrés Celsius.

L'appareil est muni d'un interrupteur « de bascule » qui coupe automatiquement l'alimentation en gaz si l'appareil bascule. Assurez-vous que cet interrupteur est en position verticale et est bien fixé avec les vis fournies. **N'UTILISEZ JAMAIS l'appareil de chauffage avec la bonbonne de gaz en position autre que verticale.**

INSTALLATION DE SOUTIEN BASE DU RÉSERVOIR

Articles packagés:

Support du Réservoir Base
Numéro de pièce 27521



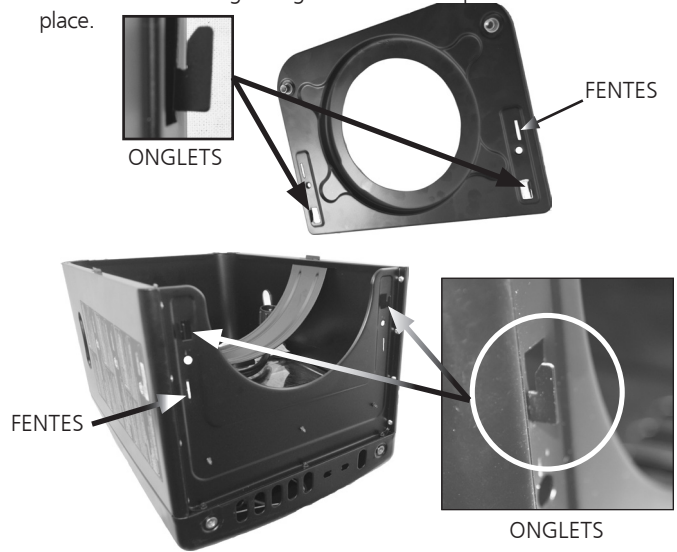
(4) Verrouillage Roulettes
Numéro de pièce 27514



1. Retirez les deux vis à tête Phillip du support du réservoir de base.



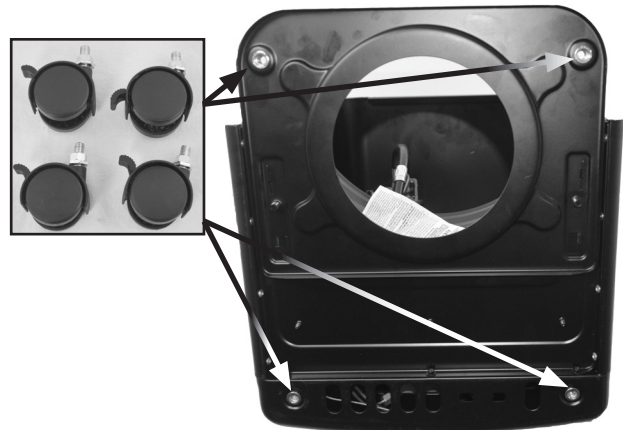
2. Alignez les onglets de support de réservoir de base (2) avec les fentes ouvertes (2) sur le fond de l'appareil de chauffage avec alignant les languettes de chauffe inférieure (2) avec les fentes ouvertes (2) sur le support du réservoir de base. Une fois les onglets et les fentes sont alignées glisser vers le bas pour verrouiller en place.



3. Une fois la base de soutien du réservoir est aligné et verrouillé en place avec le fond du chauffe visser les vis (2) de la tête Phillip en place.



4. Visser les (4) dans le sens horaire roulettes dans les ouvertures filetées sur le fond du réservoir de soutien base et le bas de l'appareil de chauffage.



EMPLACEMENT

Même si l'appareil de chauffage est muni d'un interrupteur « de bascule », la bonbonne de gaz et l'appareil doivent être placés sur une surface dure, plane et au niveau afin de réduire les risques de bascule. La bonbonne de gaz doit être installée de façon sécuritaire afin d'empêcher qu'elle ne tombe. **N'UTILISEZ JAMAIS l'appareil de chauffage avec la bonbonne de gaz en position autre que verticale.**

Le présent appareil de chauffage doit être installé seulement dans des endroits où le potentiel de dommages physiques à l'appareil (p. ex. causés par un contact physique) est réduit au minimum.

L'efficacité de l'appareil peut être réduite si vous l'utilisez dans un endroit venteux. Dans la mesure du possible, installez l'appareil dans un endroit sans courant d'air ou dirigez-le en direction opposée au courant d'air.

**MISE EN GARDE**

N'UTILISEZ JAMAIS UNE BONBONNE DE TYPE CHARIOT ÉLÉVATEUR À FOURCHE.

Le branchement du modèle MH18CH à une bonbonne de gaz propane liquéfié doit être effectué dans un endroit bien aéré à l'aide de la tuyauterie et l'ensemble de régulation fournis avec l'appareil. **N'ESSAYEZ PAS** de régler ce régulateur. Celui-ci a été réglé en usine afin d'assurer un fonctionnement adéquat et sécuritaire de l'appareil.

IMPORTANT: Pour installer la bouteille de gaz, vous devez d'abord retirer le support de montage du réservoir (réf. # 9 dans la liste des pièces) situé à l'intérieur du boîtier du réchauffeur. Après avoir placé le cylindre sur le support du réservoir de base, réinstallez le support pour fixer le cylindre.

L'appareil de chauffage doit être placé à au moins six pieds d'une bonbonne de gaz et ne doit pas faire face à une bonbonne de gaz à moins de 6 m. Si plusieurs appareils de chauffage sont utilisés, ces derniers ainsi que les bonbonnes doivent être séparés par une distance d'au moins 6 m.

Lorsque l'appareil de chauffage n'est pas utilisé, l'alimentation en gaz doit être coupée à la source, c'est-à-dire à la bonbonne de gaz.

Si l'appareil de chauffage doit être entreposé à l'intérieur, le tuyau entre la bonbonne de gaz et l'appareil doit être débranché, et la bonbonne enlevée de l'appareil de chauffage et entreposée de la façon indiquée au chapitre 5 de la norme d'entreposage et de manipulation des gaz liquéfiés (Standard for the Storage and Handling of Liquefied Petroleum Gases), ANSI/NF-PA 58 (É.-U.), OU CAN/CGA B149.2 (Canada). Ne jamais entreposer des réservoirs de propane à l'intérieur.

La tuyauterie doit être maintenue propre et ne doit pas être salie de bavure de mortier ou présenter des dépôts calcaires.

Avant d'allumer l'appareil, veuillez vous assurer que les pièces de fixations et les joints sont bien fixés afin de prévenir des fuites éventuelles. Pour détecter des fuites, appliquez une petite quantité d'eau savonneuse sur tous les joints; des bulles se formeront en présence de fuite. Dans un tel cas, couper immédiatement l'alimentation en gaz. Attendre au moins 5 minutes, réparer la fuite et faites une autre vérification. Faites sécher les joints après la vérification

**MISE EN GARDE**

N'UTILISEZ JAMAIS UNE FLAMME NUE POUR PROCÉDER À LA VÉRIFICATION D'UNE FUITE COLMATÉE.

INSTRUCTIONS D'UTILISATION

MISE EN GARDE: SI VOUS NE RESPECTEZ PAS LES INSTRUCTIONS À LA LETTRE, UN INCENDIE OU UNE EXPLOSION PEUT S'ENSUIVRE ET CAUSER DES DOMMAGES DE BIENS, DES BLESSURES CORPORELLES OU LA MORT.

**AVERTISSEMENT**

LE PRÉSENT APPAREIL DEVIENT TRÈS CHAUD EN COURS D'UTILISATION. ÉVITEZ TOUT CONTACT PHYSIQUE.

**AVERTISSEMENT**

NE DÉPOSEZ PAS DE VÊTEMENT OU AUTRE MATÉRIAU COMBUSTIBLE SUR L'APPAREIL DE CHAUFFAGE.

N'UTILISEZ PAS l'appareil si l'un de ses composants a été en contact avec de l'eau. Faites appel à un technicien qualifié pour procéder à une vérification de l'appareil et remplacer toute pièce du système de contrôle ou de la valve ayant été en contact avec de l'eau.

Le présent appareil de chauffage doit être installé seulement dans des endroits où le potentiel de dommages physiques à l'appareil est réduit au minimum. Le propriétaire/utilisateur doit s'assurer que les précautions nécessaires sont prises afin de protéger l'appareil contre d'éventuels dommages physiques.

SUBSTANCE ODORANTE - AUCUNE ODEUR DÉCELÉE

- Certaines personnes ne détectent pas bien les odeurs. Certaines personnes ne peuvent sentir la substance odorante ajoutée au gaz propane (liquéfié) ou au gaz naturel. Vous devez savoir si vous arrivez à déceler l'odeur de cette substance dans le gaz combustible.
- Apprenez à reconnaître l'odeur du gaz propane et celle du gaz naturel. Pour ce faire, les détaillants de gaz propane (liquéfié) locaux seront heureux de vous fournir un feuillet comprenant une pastille à humer. Servez-vous de cette pastille pour vous aider à reconnaître l'odeur de gaz combustible.
- Le tabagisme peut nuire à votre faculté olfactive. Votre facilité à déceler une odeur quelconque peut s'estomper si vous demeurez un certain temps dans un endroit où cette odeur est présente. La présence d'animaux dans des endroits clos peut aussi masquer l'odeur du gaz combustible.
- **La substance odorante contenue dans le gaz propane (liquéfié) et le gaz naturel est incolore et, selon certaines circonstances, son odeur pourrait s'estomper.**
- En cas de fuite souterraine, le déplacement du gaz dans le sol peut filtrer l'odeur.

NE JAMAIS LAISSER LE CHAUFFAGE SANS SURVEILLANCE PENDANT LE BRÛLAGE!

- L'intensité de l'odeur du gaz propane (liquéfié) peut varier à différents niveaux. Étant donné que le gaz propane (liquéfié) est plus lourd que l'air, l'odeur peut être plus prononcée à des niveaux inférieurs.
- **Portez toujours attention à la moindre odeur de gaz.** Si une odeur de gaz persiste, même si elle est minime, agissez comme s'il s'agissait d'une fuite importante. Intervenez immédiatement tel que décrit précédemment.

ALLUMAGE ET ARRÊT

Allumage de l'appareil :

1. Utilisez seulement le type de combustible prévu pour le présent appareil de chauffage. Consultez la plaque signalétique pour obtenir des informations sur le type de combustible à utiliser.
2. Coupez l'alimentation principale à l'appareil. Attendez 5 minutes.
3. Ouvrez l'alimentation de gaz principale.
4. Enfoncer et tourner le Bouton de Contrôle dans le sens antihoraire à la position «PILOT» et tenir pendant 15 secondes. Alors que le Bouton de Contrôle est toujours enfoncé, le faire tourner à la position «OFF» et ensuite à la position «PILOT» afin de produire une étincelle à l'allumeur. (Si nécessaire, répéter jusqu'à ce que le pilote s'allume). Continuer de maintenir le bouton de contrôle enfoncé à la position «PILOT» pendant 30 secondes (voir figure 1).
5. Relâcher le bouton de contrôle. Si le pilote ne reste pas allumé, répéter l'étape 4. Si le pilote reste allumé, tourner le bouton de contrôle dans le sens antihoraire sur le réglage de chaleur approprié.
6. **IMPORTANT : N'ESSAYEZ PAS de régler l'admission en gaz du brûleur principal à l'aide de la valve d'alimentation principale, car le thermocouple pourrait fermer le brûleur.**

Instructions d'arrêt :

Pour éteindre l'appareil de chauffage :

1. Tourner le bouton de verrouillage dans le sens horaire à la position «OFF».
2. Fermer les bonbonnes de propane en tournant le bouton de soupape dans le sens horaire jusqu'à sa fermeture.
3. Si l'appareil n'est pas utilisé pendant une longue période de temps, débrancher l'ensemble de boyau/régulateur de la bonbonne de propane.

ENTRETIEN

Le présent appareil de chauffage (y compris la tuyauterie et l'ensemble de régulation) doit être inspecté avant chaque utilisation. Si le tuyau du modèle MH18CH montre des signes d'usure excessive, ou s'il est coupé, il doit être remplacé avant que l'appareil de chauffage ne soit mis en marche. La tuyauterie de remplacement doit avoir été approuvée par le fabricant. Voir la liste des pièces.

L'espace environnant de l'appareil doit toujours être dépourvu de combustibles, d'essence ou de vapeurs ou de liquides inflammables.

La circulation d'air et le flux de combustion ne doivent pas être ralentis.

Nettoyage

L'appareil de chauffage doit être nettoyé régulièrement afin d'enlever toute particule de poussière et de saleté.



DANGER

NE TENTEZ PAS DE NETTOYER L'APPAREIL DE CHAUFFAGE LORSQUE CELUI-CI EST EN MARCHÉ OU ENCORE CHAUD.

- Éteignez l'appareil et attendez qu'il soit entièrement refroidi (attendre au moins 20 minutes) avant de le nettoyer.
- Nettoyez l'extérieur de l'appareil à l'aide d'un chiffon humide. NE NETTOYÉZ PAS l'appareil de chauffage en y vaporisant de l'eau. Essuyez ensuite l'extérieur avec un chiffon sec.
- Nettoyez l'intérieur de l'appareil en utilisant de l'air comprimé. En se servant d'un pistolet à air approuvé OSHA, souffler de l'air dans l'orifice du brûleur jusqu'à ce que toute saleté soit délogée de la surface de la pièce réverbérante et de l'écran grillagé. Soufflez également de l'air dans le diffuseur à partir de l'embout de contrôle du brûleur.
- Nettoyez l'orifice de chaque brûleur à l'aide d'une mèche no 68 (pour gaz propane liquéfié).
- Nettoyez le fil du thermocouple.

N'UTILISEZ PAS l'appareil si l'un de ses composants a été en contact avec de l'eau. Faites appel à un technicien qualifié pour procéder à une vérification de l'appareil et remplacer toute pièce du système de contrôle ou de la valve ayant été en contact avec de l'eau.

L'appareil de chauffage doit être inspecté au moins une fois par année par une personne qualifiée.

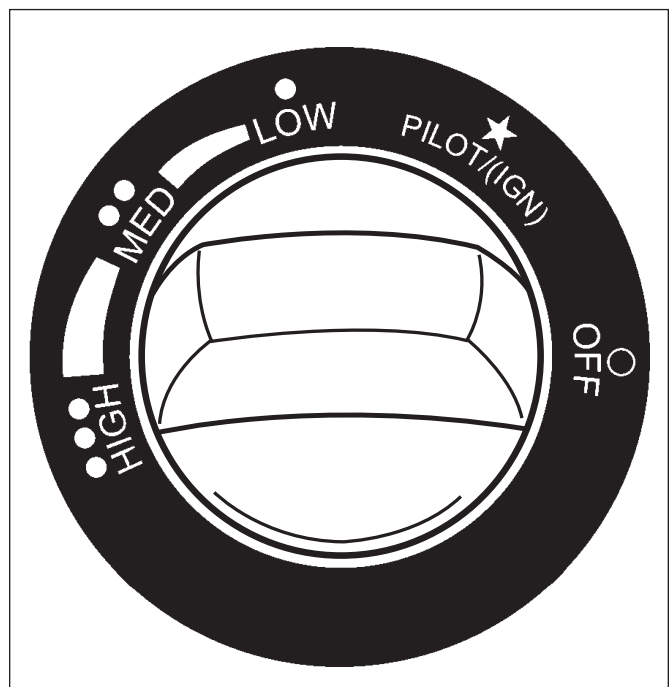


Figure 1

DÉPANNAGE (Modèle MH18CH)

Le brûleur s'allume, mais s'éteint lorsque le bouton est relâché.

VÉRIFIER SI

- Les fils branchés à l'interrupteur de bascule sont bien fixés.
- Les fils de la soupape de contrôle et l'ensemble du pilote/ODS sont bien fixés.
- Le thermocouple est bien fixé.
- L'ensemble de pilote/ODS est défectueux. Remplacez si nécessaire.
- Contrôle défectueux. Remplacez si nécessaire.
- Interrupteur à bascule défectueux. Remplacez si nécessaire.

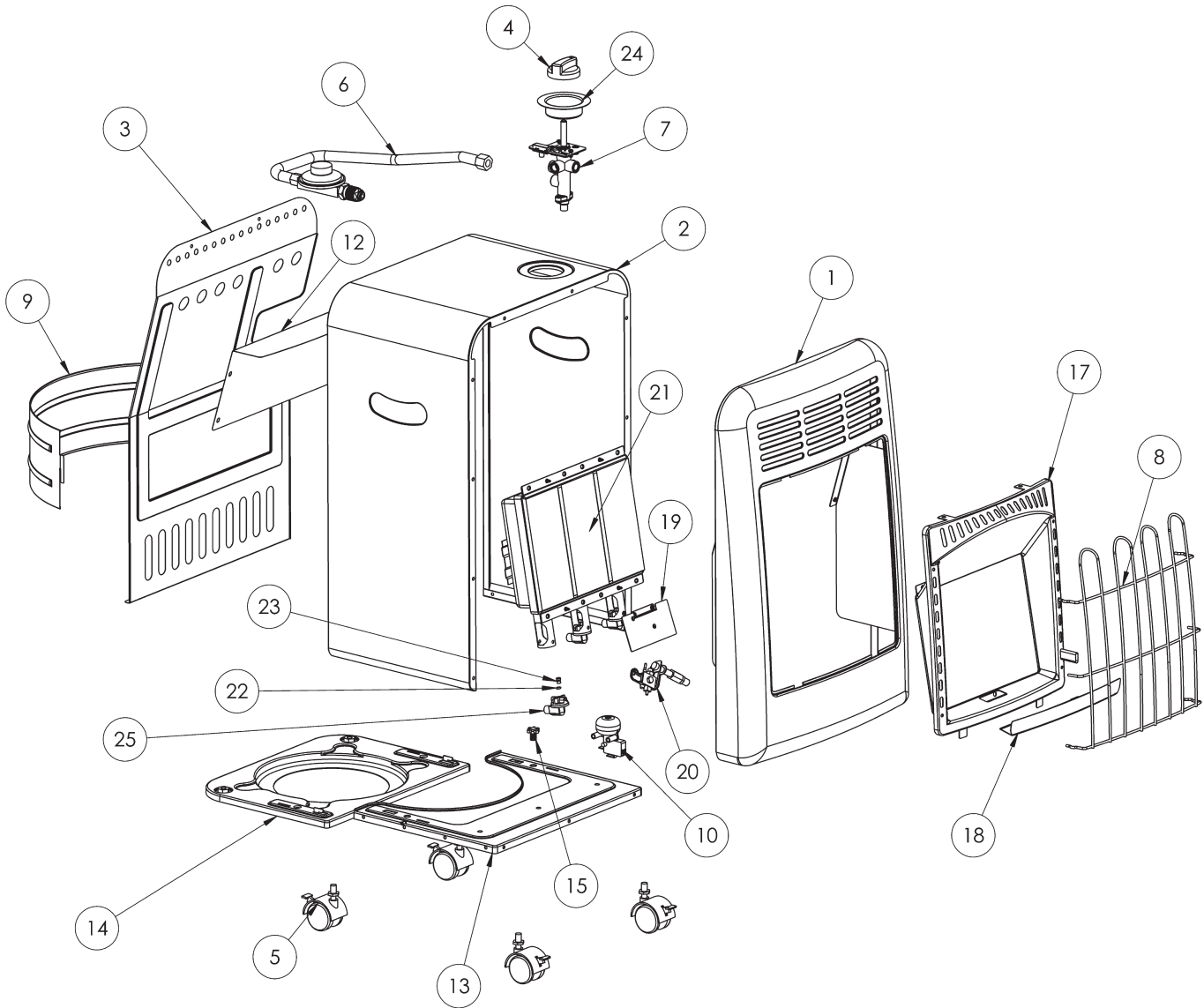
Disposition de l'interrupteur de bascule

REMARQUE : La fonction de l'interrupteur à bascule est d'arrêter le débit du gaz lorsque l'appareil est renversé. Lorsque l'appareil est renversé, le remettre à l'endroit, attendre 5 minutes et le rallumer.

LISTE DE PIÈCES DE REMPLACEMENT

Art. No.	NUMÉRO DE PIÈCE	DESCRIPTION
1	27510	PANNEAU, DEVANT, MH18CH
2	27511	PANNEAU, DESSUS, MH18CH
3	27512	PROTECTEUR, RADIATION, MH18CH
4	27513	BOUTON, CONTRÔLE, MH18CH
5	27514	ROULETTES, BARRURES, MH18CH
6	27515	ENSEMBLE, BOYAU, RÉGULATEUR, MH18CH
7	27516	SOUPAPE, CONTRÔLE, MH18CH
8	27517	PROTECTEUR, FIL, MH18CH
9	27518	SUPPORT, RÉSERVOIR, MONTAGE, MH18CH
10	42116	INTERRUPTEUR, BASCULE, MH18CH
12	27524	PROTECTEUR, CHALEUR, MH18CH
13	27520	BASE, MÉTAL, MH18CH
14	27521	BASE, RÉSERVOIR, SUPPORT, MH18CH
15	27530	VIS, MAIN, BASE, MH18CH
16	27531	SUPPORT, BOÎTIER, SUPPORT, MH18CH
17	27529	RÉFLECTEUR, MH18CH
18	27528	DÉFLECTEUR, VENT, MH18CH
19	27522	SUPPORT, ODS, MH18CH
20	27523	ODS, MH18CH
21	27526	ENSEMBLE, BRÛLEUR, MH18CH
22	27941	JOINT TORIQUE, ORIFICE
23	27527	ORIFICE, MH18CH
24	27525	SUPPORT, SOUPAPE, MONTAGE, MH18CH
25	27532	SUPPORT, ORIFICE, MH18CH

Appareil de chauffage portatif à infrarouge fonctionnant au gaz • Modèle MH18CH



SI ENTRETIEN REQUIS

N'ENVOYEZ PAS LE PRÉSENT APPAREIL DE CHAUFFAGE À VOTRE MAGASIN

Pour obtenir de plus amples informations sur le service à la clientèle, veuillez composer notre numéro sans frais : (800) 251-0001.

Nos heures d'ouverture sont de 8:00am-5:00pm, heure de l'Est, du lundi au vendredi

Veuillez fournir le numéro du modèle, la date d'achat et la description du problème lorsque vous communiquez avec notre service.

⚠️ AVERTISSEMENT**Danger de la qualité de l'air**

- N'utilisez pas cet appareil de chauffage pour le chauffage des locaux d'habitation humaine.
- L'utilisation des appareils de chauffage direct dans les environnements de construction peut vous exposer à des niveaux de CO, CO₂, et NO₂, qui sont considérés comme dangereux pour la santé et potentiellement mortels.
- Ne pas utiliser dans les zones non ventilées.
- Connaissez les signes d'empoisonnement au CO et CO₂.
 - Maux de tête, brûlure des yeux
 - Vertige, désorientation
 - Difficulté à respirer, sensation d'étouffement
- Un échange d'air de ventilation adéquat (OSHA 29 CFR 1926.57) pour supporter la combustion et maintenir une qualité de l'air acceptable est fournie selon OSHA 29 CFR partie 1926.154, ANSI A10.10 Exigences de sécurité pour les appareils et équipements de chauffage portables et temporaires utilisés dans l'industrie de la construction ou les Codes CSA pour le gaz naturel et le gaz propane CSA B149.1.
 - Surveiller périodiquement les niveaux de CO, de CO₂ et de NO₂ existants sur le site de construction – à tout le moins au début du quart de travail et après 4 heures.
 - Prévoir un échange d'air de ventilation, soit naturel ou mécanique, tel que requis pour maintenir une qualité de l'air intérieure acceptable.

	Moyenne pondérée dans le temps sur 8 heures, États-Unis (OSHA 29 CFR 1926.55 App A)	Moyenne pondérée dans le temps sur 8 heures, Canada Directives SST de WorkSafe BC partie 5.1 et Règlement sur les milieux de travail en Ontario 833
CO	50 parties par million	25 parties par million
CO ₂	5000 parties par million	5000 parties par million
NO ₂		3 parties par million (Reg 833)
	É.-U. - Limite de plafond (limite d'exposition à court terme = 15 minutes)	Directives de SST Canada STEL (15 minutes Rég. 833 / 1 heure WSBC) de WorkSafe BC partie 5.1 et Règlement sur les milieux de travail en Ontario 833
CO		100 parties par million
CO ₂		15000 parties par million (WSBC) 30000 parties par million (Reg 833)
NO ₂	5 parties par million	1.0 parties par million (WorkSafeBC) 5.0 parties par million (Reg 833)

- Assurez-vous que le débit d'échange d'air de combustion et de ventilation ne peut pas être obstrué.
- La ventilation peut devoir être augmentée à mesure que le bâtiment « durcit » lors des phases de construction.

L'installation de cet appareil à une altitude supérieure à 2000 pi (610 m) doit être conforme aux codes locaux, ou en l'absence de codes locaux, le National Fuel Gas Code, ANSI Z223.1/NFPA 54, ou la norme nationale du Canada, le Code pour le gaz naturel et le gaz propane, CSA B149.1.

L'appareil de chauffage a été expédié de l'usine, configuré pour fonctionner au gaz propane.

MANUEL DE L'UTILISATEUR ET INSTRUCTIONS D'UTILISATION

REMARQUE : lisez et suivez les instructions d'utilisation. Rangez le manuel de l'utilisateur dans un endroit sûr aux fins de référence ultérieure. Ne laissez personne qui n'a pas lu le manuel de l'utilisateur tenter de monter, de mettre en marche, de régler ou de faire fonctionner l'appareil de chauffage.

MR. HEATER

MODÈLE

MH18CH



MISE EN GARDE

UTILISEZ SEULEMENT LES PIÈCES DE REMPLACEMENT DU FABRICANT. L'UTILISATION D'AUTRES PIÈCES PEUT CAUSER DES BLESSURES OU LA MORT. LES PIÈCES DE REMPLACEMENT SONT UNIQUEMENT DISPONIBLES AUPRÈS DE L'USINE ET DOIVENT ÊTRE INSTALLÉES PAR UN TECHNICIEN QUALIFIÉ.

COMMANDE DE PIÈCES

ACHAT : Des accessoires peuvent être achetés chez Mr. Heater ou un détaillant local Enerco, ou directement de l'usine.

INFORMATION SUR LE SERVICE

Veuillez composer le numéro sans frais suivant : (800) 251-0001
www.mrheater.com • www.enerco.com

Nos heures d'ouverture sont de 8:00am-5:00pm, heure de l'Est, du lundi au vendredi

Veuillez fournir le numéro du modèle, la date d'achat et la description du problème lorsque vous communiquez avec notre service.

GARANTIE

MR. HEATER, Inc. garantit que ses appareils de chauffage à infrarouge ne comportent aucun défaut lié aux pièces ou à la main d'œuvre.

Les ensembles de pièces, les pièces de contrôle, etc. fournis par Enerco Group, Inc. sont couverts par une garantie d'un (1) an sur les garanties applicables des fournisseurs.

L'unique responsabilité de Enerco Group, Inc. conformément à la présente garantie est de remplacer ou de réparer toute pièce défectueuse pour laquelle une réclamation a été écrite à l'attention de Enerco Group, Inc. et après que Enerco Group, Inc. a confirmé sa défectuosité et ce, dans la période de temps stipulée par la garantie, laquelle doit être retournée sur demande à Enerco Group, Inc. -par franco à bord à Cleveland, Ohio - ou franco à bord à toute installation de service autorisée Enerco Group, Inc..

La présente garantie ne s'applique pas si une pièce ou un produit a fait l'objet d'une mauvaise manipulation ou de négligence, a été endommagé à la suite d'un accident ou d'une mauvaise installation. LA PRÉSENTE GARANTIE REMPLACE TOUTE AUTRE GARANTIE, EXPLICITE OU IMPLICITE, ainsi que toute autre responsabilité de MR. HEATER concernant les pièces ou les produits vendus par Enerco Group, Inc., notamment les dommages indirects ou spéciaux. La présente garantie vous accorde des droits juridiques précis, mais vous pourriez avoir d'autres droits qui varient selon la province ou l'État.

Enerco Group, Inc. se réserve le droit d'apporter des modifications à tout moment, sans préavis ou obligation, concernant les couleurs, les spécifications, les accessoires, les matériaux et les modèles.

ENREGISTREMENT DE PRODUIT: Merci pour votre achat.

Connectez-vous s'il vous plaît à <http://www.egiregistration.com> pour enregistrer votre produit.



ENERCO GROUP, INC., 4560 W. 160TH ST., CLEVELAND, OHIO ÉTATS-UNIS 44135 • 800-251-0001
Enerco et Mr. Heater sont des marques déposées d'Enerco Group, Inc.
© 2021, Enerco Group, Inc., All rights reserved

¡NUNCA DEJE EL CALENTADOR DESATENDIDO MIENTRAS SE QUEMA!



INSTRUCCIONES DE USO Y MANUAL DEL USUARIO

Modelo #

MH18CH

LEA CUIDADOSAMENTE LAS INSTRUCCIONES: Lea y siga todas las instrucciones. Conserve estas instrucciones en un lugar seguro para futura referencia. No permita que nadie que no haya leído estas instrucciones arme, encienda, ajuste o use el calentador.



CALENTADOR PORTÁTIL A PROPANO TIPO GABINETE

NO DEJE EL CALENTADOR DESATENDIDO Y NO LO DEJE FUNCIONANDO MIENTRAS DUERME

IDIOMAS INCLUIDO

- INGLÉS
- FRANCÉS
- ESPAÑO



ADVERTENCIA GENERAL DE PELIGRO:

EL NO CUMPLIR CON LAS PRECAUCIONES E INSTRUCCIONES QUE VIENEN CON ESTE CALENTADOR PUEDE CAUSAR LA MUERTE, LESIONES GRAVES Y PÉRDIDAS Y DAÑOS MATERIALES DERIVADOS DEL PELIGRO DE INCENDIO, EXPLOSIÓN, QUEMADURAS, ASFIXIA, ENVENENAMIENTO CON MONÓXIDO DE CARBONO, Y/O DESCARGAS ELÉCTRICAS.

SOLO LAS PERSONAS QUE ENTIENDAN Y PUEDAN SEGUIR LAS INSTRUCCIONES DEBEN USAR O MANTENER ESTE CALENTADOR.

SI NECESITA AYUDA O INFORMACIÓN ACERCA DEL CALENTADOR, COMO MANUALES DE INSTRUCCIONES, ETIQUETAS, ETC., PÓNGASE EN CONTACTO CON EL FABRICANTE.



ADVERTENCIA:

PELIGRO DE INCENDIO, QUEMADURAS, INHALACIÓN Y EXPLOSIÓN. MANTenga LOS COMBUSTIBLES SÓLIDOS COMO MATERIALES DE CONSTRUCCIÓN, PAPEL O CARTÓN A UNA DISTANCIA SEGURA DEL CALEFACTOR TAL COMO LO RECOMIENDAN LAS INSTRUCCIONES. NUNCA USE EL CALEFACTOR EN ESPACIOS QUE CONTIENEN O PODRÍAN CONTENER COMBUSTIBLES VOLÁTILES O PRODUCTOS COMO GASOLINA, SOLVENTES, DILUYENTE DE PINTURA O PRODUCTOS QUÍMICOS DESCONOCIDOS.



ADVERTENCIA: NO APTO PARA USAR EN EL HOGAR NI EN CASAS RODANTES

ESPECIFICACIONES

MODELO No.....MH18CH
 TIPO DE GAS.....LP-Gas
 PRESIÓN DEL SUMINISTRO DE GAS
 AL REGULADOR..... MÁX. 200 psi (1380 kPa)
 MÍN. 5 psi (34,5 kPa)
 PRESIÓN DEL MÚLTIPLE 11" (28 cm) CA

No exceda las presiones del suministro de gas indicadas en la placa de especificación para el modelo MH18CH. La presión máxima y la presión mínima del suministro de gas (para ajustar la entrada) para gas-LP son las siguientes:

⚠ ADVERTENCIA
 NO EXCEDA LOS 14" (28 cm) CA (1/2 psi) DE PRESIÓN DE ENTRADA AL CALENTADOR.

VENTILACIÓN

⚠ ADVERTENCIA
 ESTE ARTEFACTO NO TIENE VENTILACIÓN Y DEBE USARSE ÚNICAMENTE EN UN ÁREA BIEN VENTILADA.

No obstruya el flujo de aire necesario para la combustión y la ventilación. NO los use en un área muy cerrada. Todo proceso de combustión requiere y consume oxígeno, y puede producir monóxido de carbono. Este calentador debe usarse con ventilación adecuada. Habrá que proporcionar dos aberturas directamente al exterior, una baja y otra alta, preferentemente en lados opuestos del área a calentar. Cada una de estas aberturas deberá proporcionar por lo menos 20 centímetros cuadrados de entrada de aire de combustión y de salida por cada 1000 BTU por hora de calefacción para poder completar el proceso de combustión/ventilación. Proporcione ventilación adicional por cada artefacto a combustible y/o ocupantes adicionales.

SEPARACIÓN (distancias mínimas a materiales combustibles)

MODELO No.	POTENCIA BTU/HR TIPO DE GAS	POSICIÓN NORMAL DE TRABAJO	DISTANCIA A COMBUSTIBLES			
			ARRIBA	LADOS	ATRÁS	FRENTE
MH18CH	18.000* LP	VERTICAL	61 cm	30 cm	0 cm	183 cm

*El tamaño y la temperatura del tanque pueden afectar directamente los BTU de salida

CONTENIDO

Precauciones y advertencias..... 2
 Información general 3
 Instrucciones de instalación 3 - 4
 Ubicación..... 5
 Instrucciones de operación 5
 Encendido y apagado 6
 Instrucciones de mantenimiento 6
 Lista de partes de reemplazo 7 - 8
 Información de servicio técnico y para ordenar partes 12

⚠ ADVERTENCIA: LOS COMBUSTIBLES USADOS EN EQUIPOS PARA LICUAR GAS PROPANO, ASÍ COMO LOS PRODUCTOS DE SU COMBUSTIÓN, PUEDEN EXPONERTE A SUSTANCIAS QUÍMICAS, ENTRE ELLAS EL BENCENO, QUE EL ESTADO DE CALIFORNIA RECONOCE COMO CAUSA DE CÁNCER Y DE MALFORMACIONES CONGÉNITAS Y OTROS DAÑOS AL SISTEMA REPRODUCTOR. PARA MÁS INFORMACIÓN IR WWW.P65WARNINGS.CA.GOV.

⚠ POR SU SEGURIDAD
 No use este calentador en un lugar donde se almacene o se use gasolina u otros líquidos con vapores inflamables.

El calentador está diseñado y aprobado para usarse como calentador para construcción bajo las normas ANSI Z83.7 - 2017 / CSA 2.14 - 2017.

No podemos anticipar todos los usos que se le pueden dar a nuestros calentadores. CONSULTE CON LA AUTORIDAD DE SEGURIDAD ANTI-INCENDIOS SI TIENE ALGUNA PREGUNTA SOBRE SUS APLICACIONES.

Hay otros estándares que rigen el uso de gases combustibles y productos que producen calor en aplicaciones específicas. Su autoridad local podrá aconsejarle al respecto.

Este artefacto está diseñado para usarse principalmente en la calefacción de edificios en construcción, remodelación o reparación.

⚠ ADVERTENCIA: UNA DE LAS SUSTANCIAS QUE SE DESPRENDE EN LA COMBUSTIÓN AL USAR ESTE EQUIPO ES EL MONÓXIDO DE CARBONO, UN PRODUCTO QUÍMICO QUE DE ACUERDO CON EL ESTADO DE CALIFORNIA PRODUCE CÁNCER Y DEFECTOS DE NACIMIENTO (U OTROS DAÑOS REPRODUCTIVOS). PARA MÁS INFORMACIÓN, IR WWW.P65WARNINGS.CA.GOV.

INFORMACIÓN GENERAL

- A. Su calentador portátil infrarrojo a gas viene completamente armado y probado en la fábrica para el gas y la entrada indicados en la placa.
- B. Todo calentador viene con una válvula de seguridad de 100% de cierre, a pulsador, que detendrá automáticamente el flujo del gas en caso de que el calentador deje de funcionar por cualquier motivo. El modelo MH18CH también viene equipado con un interruptor de caída y un control de exceso de flujo.
- C. Antes de seguir con esta instalación, verifique que la unidad no esté dañada. Debe notificar a la compañía de transporte acerca de cualquier daño y solicitar que inspeccionen la unidad. Enerco Technical Products enviará reemplazos para las partes dañadas solamente después de recibir un informe de inspección firmado para demostrar la responsabilidad de la compañía de transporte.

PARA UN FUNCIONAMIENTO SEGURO

1. **LEA CUIDADOSAMENTE ESTAS INSTRUCCIONES. Lea y siga las siguientes instrucciones. NO permita que nadie que no haya leído estas instrucciones arme, encienda, ajuste o use este calentador.**
2. **EL GAS-LP ES ALTAMENTE INFLAMABLE.** De producirse una fuga, el gas-LP se acumulará y podría desatarse un incendio. El gas-LP tiene un olor característico fuerte que puede ser detectado fácilmente. Nunca encienda fósforos, encienda ningún tipo de llama, ni provoque una chispa eléctrica en un recinto donde haya olor a gas-LP. Ventile el área a fondo, saque el calentador al exterior y repare la fuente de la fuga antes de encender cualquier artefacto.
3. Mantenga a los niños y las mascotas alejados del calentador.
4. Revise cuidadosamente si el calentador presenta daños. **NO** opere un calentador dañado.
5. **NO** modifique el calentador ni opere un calentador cuya configuración original haya sido modificada.
6. Utilice únicamente gas propano.
7. Utilice únicamente suministro de propano con RECUPERACIÓN DE VAPOR. Si tiene alguna pregunta sobre la recuperación de vapor, consulte a su proveedor de propano.
8. Monte los tanques de propano verticalmente (válvula hacia arriba). Asegure el tanque de propano de 20 libras dentro del gabinete para protegerlo contra daños.
9. **NO** apunte el calentador hacia otro tanque de propano a menos de 6 metros del calentador.
10. **IMPORTANTE:** Use únicamente la manguera y el regulador que vienen con el calentador. Reemplácelos únicamente con componentes aprobados por la fábrica.
11. Este calentador está diseñado para usarse principalmente en la calefacción temporaria de edificios en construcción, remodelación o reparación. El área debe estar bien ventilada. Nunca lo use en una vivienda habitada.
12. Si detectara olor a gas en algún momento, **INTERRUMPA INMEDIATAMENTE** la utilización del equipo hasta que haya sido detectada y corregida la fuente de gas. Lea el documento adjunto "Propano y disipación del olor" para obtener más información sobre la detección de fugas de propano.
13. Instale el calentador de forma tal que no esté directamente expuesto a salpicaduras de agua, lluvia ni/o goteo de agua.

14. Mantenga las distancias mínimas de materiales combustibles (como el papel). Página 2. Nunca coloque materiales inflamables sobre el calentador.
15. Dadas las elevadas temperaturas de la superficie y del escape, tanto los adultos como los niños deben mantener la distancia adecuada para evitar quemaduras o la ignición de su ropa.
16. Úselo únicamente sobre una superficie nivelada y estable.
17. **NO** lo conecte a una fuente de propano sin regulador.
18. **NO** lo mueva, manipule o ajuste mientras esté caliente o encendido.
19. **NO** use el calentador sobre pisos acabados.
20. Úselo únicamente de acuerdo con los códigos locales o, en la ausencia de códigos locales, de acuerdo con los Estándares ANSI/NFPA 58 y CSA B149.1 para almacenamiento y manipulación de gases licuados de petróleo del Código de instalación de propano y gas natural.

INSTRUCCIONES DE INSTALACIÓN

GENERAL

Para los EE.UU. y/o Canadá, la instalación de este artefacto debe cumplir con las normas locales y/o provinciales o, en ausencia de dichas normas,

- Con el Reglamento nacional de combustible gaseoso (EE. UU.) ANSI Z223.1 - Última edición, Y con las Normas para el almacenamiento y manejo de gases licuados de petróleo (EE. UU.) ANSI/NFPA 58, O
- Con las **NORMAS ACTUALES DE INSTALACIÓN CAN/CGA B149.1 Y B149.2 (Canadá).**

Hay que inspeccionar este calentador (incluyendo la manguera y el regulador) antes de cada uso y hacerlo revisar por una persona calificada una vez por año por lo menos. Si la manguera del modelo MH18CH muestra signos de abrasión o desgaste excesivo, o si tiene cortes, debe ser reemplazada antes de hacer funcionar el calentador. La manguera de reemplazo debe ser la indicada por el fabricante. Consulte la lista de partes.

La temperatura ambiente mínima especificada para este calentador es de -6,6 grados C.

Este calentador tiene un interruptor contra "caídas" que apaga automáticamente el quemador en caso de que se caiga. Verifique que este interruptor esté en posición vertical y asegurado con los tornillos suministrados. **NO use este calentador con el cilindro de gas-LP en ninguna posición que no sea la vertical.**

INSTALACIÓN DE APOYO DEL TANQUE DE BASE

Los productos envasados:

Tanque Soporte BasePart
27521



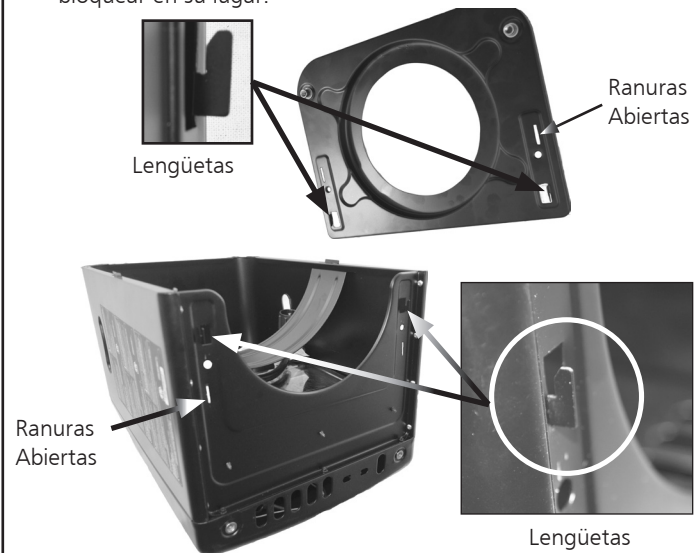
(4) Con bloqueo Ruedas
27514



1. Retire los dos tornillos de cabeza phillip del soporte del tanque Base.



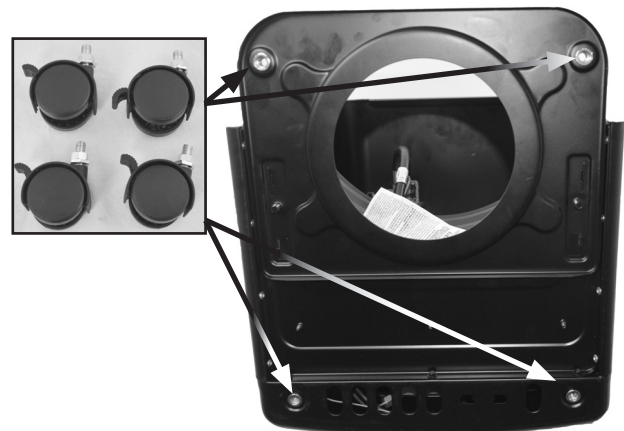
2. Alinee las lengüetas de soporte del tanque de la base (2) con las ranuras abiertas (2) en la parte inferior del calentador junto con la alineación de las aletas de calentador inferior (2) con las ranuras abiertas (2) en el soporte del tanque base. Una vez que las lengüetas y ranuras están alineadas deslizante hacia abajo para bloquear en su lugar.



3. Una vez que la base del tanque de apoyo está alineada y bloqueada en su lugar con la parte inferior del calentador de atornillar los tornillos (2) de cabeza phillip en su lugar.



4. Tornillo los (4) ruedas hacia la derecha en las aberturas rosca-das en la parte inferior del tanque Soporte Base y parte inferior del calentador.



UBICACIÓN

A pesar de que este calentador tiene un interruptor contra "caídas", el calentador y el cilindro de gas-LP deben colocarse sobre una superficie dura, plana y nivelada para minimizar el riesgo de una caída accidental. El cilindro de gas LP debe sujetarse correctamente para evitar que se caiga accidentalmente. **NO USE este calentador con el cilindro de gas en ninguna posición que no sea la vertical.**

Este artefacto debe instalarse únicamente en lugares donde el riesgo de daños físicos al artefacto (debidos a contacto físico por ejemplo) se reduzcan al mínimo.

El usar este calentador en un área ventosa/con corrientes de aire puede disminuir su eficiencia. De ser posible, use la unidad en un área sin corrientes de aire o coloque el frente del calentador de espaldas a la corriente de aire.



ADVERTENCIA

NUNCA USE UN CILINDRO DEL TIPO USADO EN MONTACARGAS.

La conexión del modelo MH18CH a un cilindro de gas-LP debe hacerse en un área bien ventilada, usando el regulador y la manguera que vienen con el artefacto. NO intente ajustar este regulador. Ha sido ajustado en la fábrica para brindar un funcionamiento seguro y adecuado del artefacto.

IMPORTANTE: Para instalar el cilindro de gas, primero debe quitar el soporte de montaje del tanque (ref. # 9 en la lista de piezas) ubicado dentro de la carcasa del calentador. Después de colocar el cilindro en el soporte del tanque base, reinstale el soporte para asegurar el cilindro.

El calentador debe ubicarse por lo menos a 1,8 m de cualquier cilindro de gas-LP y no debe apuntar hacia ningún cilindro de gas-LP a menos de 6 m. Si se usa más de un calentador, deberán separarse de los cilindros de alimentación por más de 6 m.

El gas de alimentación debe cerrarse en el cilindro de gas-LP cuando el calentador no se use.

Cuando deba guardar el calentador en un lugar cerrado, deberá desconectar la conexión entre el cilindro de suministro de gas LP y el calentador, y deberá retirar el cilindro del calentador y guardarlo como se especifica en el Capítulo 5 de las normas para almacenamiento y manipulación de gases de petróleo líquido ANSI/NF-PA 58 (EE.UU.), O CAN/CGA B149.2 (Canadá). Nunca guarde tanques de LP en el interior.

La tubería debe estar limpia y sin sarro o rebabas.

Antes de intentar encender el artefacto, deberá verificar bien que no haya ninguna fuga de gas por los acoples o las conexiones. Coloque una pequeña cantidad de solución de agua y jabón en todos los acoples y conexiones y observe si aparecen burbujas. Si detecta alguna fuga, cierre la entrada de gas al artefacto inmediatamente. Espere cinco minutos como mínimo, repare las fugas y vuelva a verificar que no hayan fugas. Seque todos los acoples y conexiones después de la prueba de fugas.



ADVERTENCIA

NUNCA USE UNA LLAMA PARA VERIFICAR LAS FUGAS.

INSTRUCCIONES DE OPERACIÓN



ADVERTENCIA: SI NO SE SIGUEN AL PIE DE LA LETRA LAS INSTRUCCIONES DE ESTE MANUAL, PODRÍA PRODUCIRSE UN INCENDIO O UNA EXPLOSIÓN QUE PROVOCARÍA DAÑOS MATERIALES, LESIONES O MUERTES.



CUIDADO

ESTE ARTEFACTO SE CALIENTA DURANTE SU FUNCIONAMIENTO NORMAL. EVITE TODO CONTACTO FÍSICO.



CUIDADO

NO COLOQUE ROPA U OTRO MATERIAL COMBUSTIBLE SOBRE ESTE ARTEFACTO.

NO use este calentador si alguna de las piezas ha estado bajo el agua. Contáctese de inmediato con un técnico de mantenimiento calificado para que inspeccione el calentador y reemplace cualquier pieza del sistema de control o válvula de control de gas que haya estado bajo el agua.

Este artefacto debe instalarse únicamente y usarse en lugares donde el riesgo de daños físicos al artefacto se reduzcan al mínimo. El dueño/usuario de este artefacto debe asegurar que se tomen las precauciones necesarias para proteger el artefacto contra daños físicos.

DISIPACIÓN DEL OLOR - NO SE DETECTA NINGÚN OLOR

- Algunas personas tienen problemas de olfato. Algunos no pueden detectar el olor del químico artificial añadido al propano (LP) o al gas natural. Debe determinar si es capaz de oler la sustancia aromática que contienen estos gases combustibles.
- Aprenda a reconocer el olor del gas propano (LP) y del gas natural. Los distribuidores locales de propano (LP) le darán con gusto un panfleto con muestras de olores. Utilícelo para familiarizarse con el olor del gas combustible.
- El hábito de fumar puede disminuir su sentido del olfato. Exponerse a un olor durante un período de tiempo puede afectar su sensibilidad a ese olor específico. Los olores presentes en instalaciones donde se crían animales pueden enmascarar el olor del gas combustible.
- **La sustancia aromática presente en el gas propano (LP) y en el gas natural es incolora y la intensidad de su olor puede desvanecerse en algunas circunstancias.**
- Si hay una fuga subterránea, el recorrido del gas a través del suelo filtrará esta sustancia aromática.

¡NUNCA DEJE EL CALENTADOR DESATENDIDO MIENTRAS SE QUEMA!

- El aroma del gas propano (LP) puede variar en intensidad a diferentes niveles. Dado que el gas propano (LP) es más pesado que el aire, el olor puede ser más intenso en los niveles más bajos.
- **Manténgase siempre alerta al más mínimo olor a gas.** Si continúa percibiendo el olor a gas, no importa cuán poco sea, proceda como si fuera una fuga seria. Tome medidas inmediatamente como se explicó anteriormente.

ENCENDIDO Y APAGADO

Encendido del calentador:

1. Use únicamente el combustible especificado para este artefacto. Consulte la placa de especificaciones del artefacto por la información actual acerca del combustible.
2. Cierre la alimentación de gas al artefacto. Espere cinco minutos.
3. Abra la llave general de gas.
4. Presione y gire la perilla de control en sentido contra horario hasta la posición "PILOT" y manténgala presionada durante 15 segundos. Con la perilla de control presionada, gírela hasta la posición "OFF" y nuevamente hasta la posición "PILOT" para generar una chispa en el encendedor. (De ser necesario, repita esta operación hasta que se encienda el piloto). Siga presionando la perilla de control en la posición "PILOT" por 30 segundos (ver figura 1).
5. Suelte la perilla de control. Si el piloto no permanece encendido, repita el paso 4. Si el piloto permanece encendido, gire la perilla de control en sentido contra horario hasta el ajuste de calor deseado.
6. **IMPORTANTE: NO intente ajustar la entrada del quemador principal usando la llave general de la entrada de gas** ya que esto podría hacer que la termocupla apague el quemador.

Instrucciones de apagado:

Para APAGAR el calentador:

1. Gire la perilla de control en sentido horario hasta la posición "OFF" (cerrado).
2. Cierre el tanque de propano girando la perilla de la válvula del tanque en sentido horario hasta que se detenga.
3. Si no utilizará el calentador por mucho tiempo, desconecte el conjunto del regulador/manguera del tanque de propano.

INSTRUCCIONES DE MANTENIMIENTO

Este calentador (incluyendo la manguera y el regulador) debe inspeccionarse antes de cada uso. Si la manguera del modelo MH18CH muestra signos de abrasión o desgaste excesivo, o si tiene cortes, debe ser reemplazada antes de hacer funcionar el calentador. La manguera de reemplazo debe ser la indicada por el fabricante. Consulte la lista de partes.

El área del artefacto debe mantenerse libre de materiales combustibles, gasolina y otros vapores y líquidos inflamables todo el tiempo.

No obstruya el flujo de aire necesario para la combustión y la ventilación.

Limpeza del calentador:

Periódicamente, deberá limpiar toda la suciedad y la tierra del calentador.



PELIGRO

NO INTENTE LIMPIAR EL CALENTADOR MIENTRAS ESTÉ FUNCIONANDO O ANTES DE QUE SE HAYA ENFRIADO.

- Apague el calentador y espere hasta que se haya enfriado por completo (por lo menos 20 minutos) antes de limpiarlo.
- Limpie el exterior del calentador con un trapo húmedo. NO limpie el calentador rociándolo con agua. Repase el exterior del calentador con un trapo seco después de limpiarlo.
- Limpie el interior del calentador con un aire comprimido. Usando una pistola aprobada por OSHA, limpie todo el quemador con aire comprimido para remover la tierra y los residuos de las baldosas cerámicas. Usando una pistola aprobada por OSHA, limpie con aire comprimido el Venturi desde el extremo de control del calentador.
- Limpie el orificio de cada quemador con una broca #68 (para gas-LP).
- Limpie el cable de la termocupla.

NO use este calentador si alguna de las piezas ha estado bajo el agua. Contáctese de inmediato con un técnico de mantenimiento calificado para que inspeccione el calentador y reemplace cualquier pieza del sistema de control o válvula de control de gas que haya estado bajo el agua.

Una persona calificada debe inspeccionar el calefactor por lo menos una vez por año.

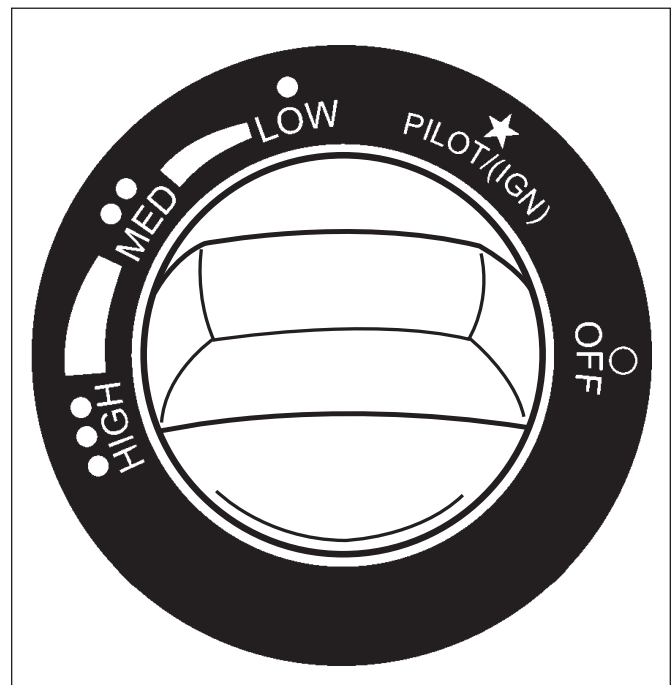


Figura 1

INFORMACIÓN PARA EL DIAGNÓSTICO DE FALLAS: (Modelo MH18CH)**Si el quemador se enciende, pero se apaga al soltar el botón.****VERIFIQUE**

- Cables flojos en el interruptor contra caídas.
- Cable flojo en la válvula de control y en el conjunto ODS/pPiloto.
- Afloje la termocupla y vuelva a ajustarla si es necesario.
- Conjunto PDS/piloto defectuoso. Reemplácelo si es necesario.
- Control defectuoso. Reemplácelo si es necesario.
- Interruptor contra caídas defectuoso. Reemplácelo si es necesario.

Interruptor contra caídas

NOTA: El propósito del interruptor contra caídas es detener el flujo de gas cuando el calentador se cae accidentalmente. Si el calentador se cayera accidentalmente, simplemente párelo nuevamente, espere 5 minutos y vuelva a encenderlo.

LISTA DE PARTES DE REPUESTO

Art. No.	NÚMERO DE PARTE	DESCRIPCIÓN
1	27510	PANEL FRONTAL MH18CH
2	27511	PANEL SUPERIOR MH18CH
3	27512	PROTECCIÓN CONTRA RADIACIÓN MH18CH
4	27513	PERILLA DE CONTROL MH18CH
5	27514	TRABA DE RUEDAS MH18CH
6	27515	CONJUNTO MANGUERA/REGULADOR MH18CH
7	27516	VÁLVULA DE CONTROL MH18CH
8	27517	REJILLA DE PROTECCIÓN MH18CH
9	27518	SOPORTE DE MONTAJE DEL TANQUE MH18CH
10	42116	INTERRUPTOR CONTRA CAÍDAS MH18CH
12	27524	PROTECCIÓN CONTRA CALOR MH18CH
13	27520	BASE METÁLICA MH18CH
14	27521	SOPORTE DEL TANQUE MH18CH
15	27530	TORNILLO MANUAL DE LA BASE MH18CH
16	27531	SOPORTE DEL GABINETE MH18CH
17	27529	REFLECTOR MH18CH
18	27528	PROTECCIÓN CONTRA VIENTO MH18CH
19	27522	SOPORTE DE ODS MH18CH
20	27523	ODS MH18CH
21	27526	QUEMADOR MH18CH
22	27941	ORIFICIO DE ANILLO-O MH18CH
23	27527	ORIFICIO MH18CH
24	27525	SOPORTE DE MONTAJE DE LA VÁLVULA MH18CH
25	27532	SOPORTE DEL ORIFICIO MH18CH

⚠ADVERTENCIA

Peligro para la calidad del aire

- No utilice este calefactor para calentar viviendas de personas.
- El uso de calefactores a fuego directo en lugares de construcción puede causar una exposición a niveles de CO, CO₂ y NO₂ considerados como peligrosos para la salud y potencialmente letales.
- No lo utilice en áreas sin ventilación.
- Conozca los signos de envenenamiento por CO y CO₂.
 - Dolor de cabeza, picazón en los ojos
 - Mareo, desorientación
 - Dificultad para respirar, sentirse sofocado
- Se debe proporcionar aire de ventilación exterior adecuado (OSHA 29 CFR 1926.57) como para mantener la combustión y una calidad de aire aceptable de acuerdo con la norma OSHA 29 CFR Parte 1926.154, con los requisitos de seguridad para dispositivos y equipos de calefacción temporarios y portátiles utilizados en la industria de la construcción (ANSI A10.10) o con las normas de instalación para gas natural y propano (CSA B149.1).
 - Controle periódicamente los niveles de CO, CO₂ y NO₂ presentes en el lugar de la construcción (como mínimo, al principio del turno de trabajo y luego de 4 horas).
 - Proporcione aire de ventilación exterior, ya sea de forma natural o mecánica, como sea necesario para mantener una calidad aceptable del aire interior.

	EE.UU.: Promedio ponderado de 8 horas (OSHA 29 CFR 1926.55 App A)	Canadá: Promedio ponderado de 8 horas Recomendaciones WorkSafe BC OHS Parte 5.1 y Reglamentaciones para lugares de trabajo de Ontario 833
CO	50 partes por millón	25 partes por millón
CO ₂	5000 partes por millón	5000 partes por millón
NO ₂		3 partes por millón (Reg 833)
	EE.UU.: Límite superior (Límite de exposición por corto tiempo = 15 minutos)	Canadá: STEL (15 minutos Reglamentación 833/1 hora WSBC) Recomendaciones WorkSafe BC OHS Parte 5.1 y Reglamentaciones para lugares de trabajo de Ontario 833
CO		100 partes por millón
CO ₂		15000 partes por millón (WSBC) 30000 partes por millón (Reg 833)
NO ₂	5 partes por millón	1.0 partes por millón (WorkSafeBC) 5.0 partes por millón (Reg 833)

- Asegúrese de que no obstruya el flujo de aire necesario para la combustión y para el aire de ventilación.
- A medida que el edificio se vuelve "más cerrado" durante las etapas de construcción, podría ser necesario aumentar la ventilación.

La instalación de este artefacto a alturas de más de 2000 pies (610 m) debe realizarse de acuerdo con las normas locales, y en caso de no existir, de acuerdo con la norma nacional para gas combustible (ANSI Z223.1/NFPA 54), con las normas nacionales de Canadá o con las normas de instalación para gas natural y propano (CSA B149.1)

El calefactor se envió desde la fábrica configurado para funcionar con gas propano.

INSTRUCCIONES DE USO Y MANUAL DEL USUARIO

LEA CUIDADOSAMENTE LAS INSTRUCCIONES: Lea y siga todas las instrucciones. Conserve estas instrucciones en un lugar seguro para futura referencia. No permita que nadie que no haya leído estas instrucciones arme, encienda, ajuste o use el calentador.

MR. HEATER

MODELO

MH18CH



ADVERTENCIA:

USE SOLAMENTE PARTES DE REEMPLAZO DEL FABRICANTE. EL USO DE CUALQUIER OTRA PARTE PODRÍA CAUSAR HERIDAS O LA MUERTE. LAS PARTES DE REEMPLAZO ESTÁN DISPONIBLES ÚNICAMENTE EN LA FÁBRICA Y DEBEN SER INSTALADAS POR UNA AGENCIA DE SERVICIO CALIFICADA.

INFORMACIÓN PARA ORDENAR PARTES:

COMPRAS: Puede comprar accesorios en cualquier distribuidor local de Mr. Heater o directamente de la fábrica.

POR INFORMACIÓN ACERCA DE REPARACIONES

Llame sin cargo al 800-251-0001

www.mrheater.com • www.enerco.com

Nuestro horario de trabajo es de 8:00 AM a 5:00 PM, de lunes a viernes, hora del este.

Por favor, incluya el número de modelo, la fecha de compra y la descripción del problema en todas sus comunicaciones.

GARANTÍA

MR. HEATER garantiza que los calentadores infrarrojos fabricados y vendidos estarán libres de defectos de materiales y de mano de obra.

Las partes, controles, etc. suministrados por Enerco Group, Inc. tendrán un (1) año de garantía sobre las garantías correspondientes de los proveedores.

La única responsabilidad de Enerco Group, Inc. bajo esta garantía será la de reemplazar o reparar cualquier parte que sea reclamada por escrito ante Enerco Group, Inc. dentro del plazo de esta garantía la cual se envíe bajo pedido a Enerco Group, Inc. – F.O.B. Cleveland, Ohio – o F.O.B. al centro de reparaciones autorizado de Enerco Technical Products y que se compruebe que esté defectuosa luego de ser inspeccionada por Enerco Technical Products.

Esta garantía no cubre ninguna parte o producto que haya sido usado incorrectamente o con negligencia, dañado por accidentes o que se haya arruinado por una instalación inadecuada. ESTA GARANTÍA EXPRESA REEMPLAZA TODAS Y CUALQUIER OTRA GARANTÍA, EXPRESA O IMPLÍCITA, y cualquier otra responsabilidad de Enerco Technical Products sobre las partes o productos vendidos por Enerco Technical Products, incluyendo daños consecuentes o especiales. Esta Garantía le confiere derechos legales específicos y es posible que usted tenga otros derechos que varían según el estado.

Enerco Group, Inc. se reserva el derecho de hacer cambios en cualquier momento, sin previo aviso, en los colores, especificaciones, accesorios, materiales y modelos.

REGISTRO DE PRODUCTO: Gracias por su compra.

Por favor entre al sistema a <http://www.egiregistration.com> para registrar su producto.



ENERCO GROUP, INC., 4560 W. 160TH ST., CLEVELAND, OHIO 44135 • 800-251-0001
Enerco y Mr. Heater son marcas registradas de Enerco Group, Inc.
© 2021, Enerco Group, Inc. Todos los derechos reservados.