

Ovation Curve™ 60" x 30" Tub

- 2576112S.011 Ovation Curve 60" x 30" Tub, Right Hand Drain with Slotted Overflow Drain
- 2576212S.011 Ovation Curve 60" x 30" Tub, Left Hand Drain with Slotted Overflow Drain

**Features:**

- Curved design for more space and comfort
- Engineered with premium StruXure® material to resist chipping and peeling
- Easy-to-clean, non-porous surface resists mold and mildew
- Preformed DuraComb™ support base for an easier, no-mortar install. **NOTE:** Maximum weight support of 300 lbs. without mortar.
- Apron braces and flange clips included for install support
- Versatile curved design works for 30"-36" deep alcoves
- Textured, non-slip floor
- 3-sided tiling flange
- Slotted overflow and drain included
- 10-Year warranty

**Nominal Dimensions:**

60" x 30" x 18"  
(1524 x 762 x 457 mm)

**Compliance Certifications -**

**Meets or Exceeds the Following Specifications:**

ASTM E162  
ASTM E662  
ADA  
ICC/ANSI A117.1



**2576112S.011**  
**Ovation Curve 60" x 30" Tub**  
Right Hand Drain



**2576212S.011**  
**Ovation Curve 60" x 30" Tub**  
Left Hand Drain

**To Be Specified - Required:**

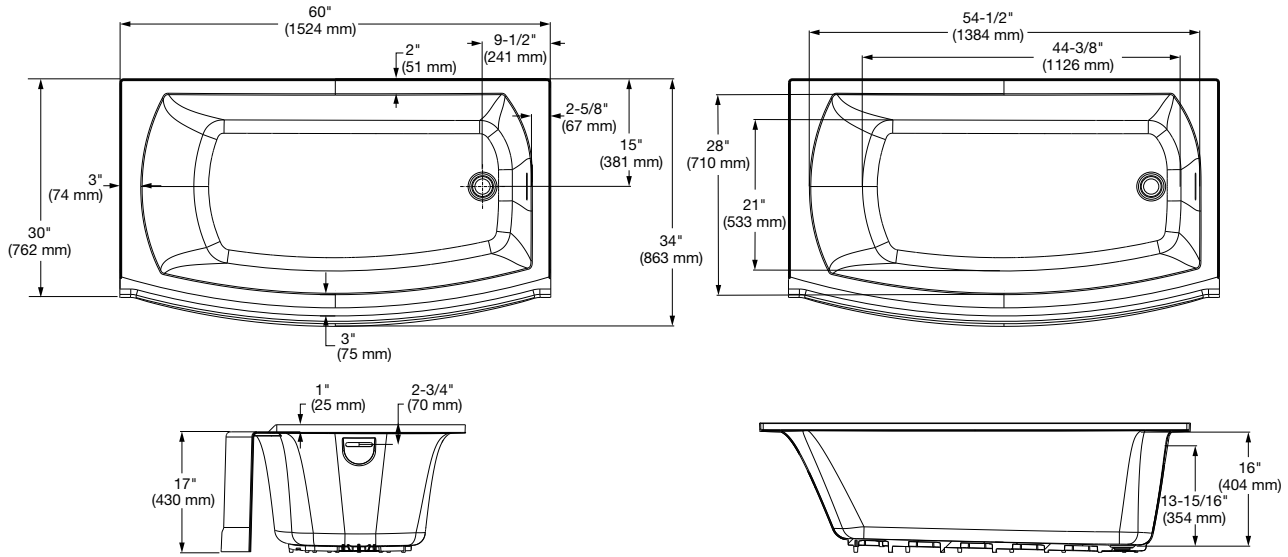
- Color: .011 Arctic White

**To Be Specified - Optional:**

- Tub Walls: 2961BWT60.011
- Tub Door: AM00843400

SEE NEXT PAGE FOR ROUGHING-IN DIMENSIONS AND PRODUCT SPECIFICATIONS

2576112S / 2576212S  
Ovation Curve 60" x 30" Tub  
Right hand drain outlet shown



GENERAL SPECIFICATIONS FOR 2576112S / 2576212S TUB	
INSTALLED SIZE	60 x 30 x 18 In. (1524 x 876 x 455 mm)
WEIGHT	55 Lbs. (25 Kg)
WEIGHT w/ WATER	472 lbs (214 kg)
GAL. TO OVERFLOW	50 gal (189 L)
BATHING WELL AT SUMP	21 x 44-3/8 In (533 x 1126 mm)
BATHING WELL AT RIM	28 x 54-1/2 In (710 x 1384 mm)
WATER DEPTH TO OVERFLOW	12-3/8 in (315 mm)
FLOOR LOADING	38 lbs/sq ft (160 kg/sq m)
LUMBAR ANGLE	114 deg
PROJECTED AREA	12.5 sq ft (1.3 sq m)
PROJECTED VOLUME	19 cu ft (0.6 cu m)

**NOTES:**

REFER TO INSTALLATION INSTRUCTIONS SUPPLIED WITH PRODUCT FOR ADDITIONAL INFORMATION.

FITTINGS NOT INCLUDED AND MUST BE ORDERED SEPARATELY.

PROVIDE SUITABLE REINFORCEMENT FOR ALL SUPPORTS.

**IMPORTANT:** Dimensions of fixtures are nominal and may vary within the range of tolerances established by ANSI Standard Z124. These measurements are subject to change or cancellation. No responsibility is assumed for use of superseded or voided leaflet.

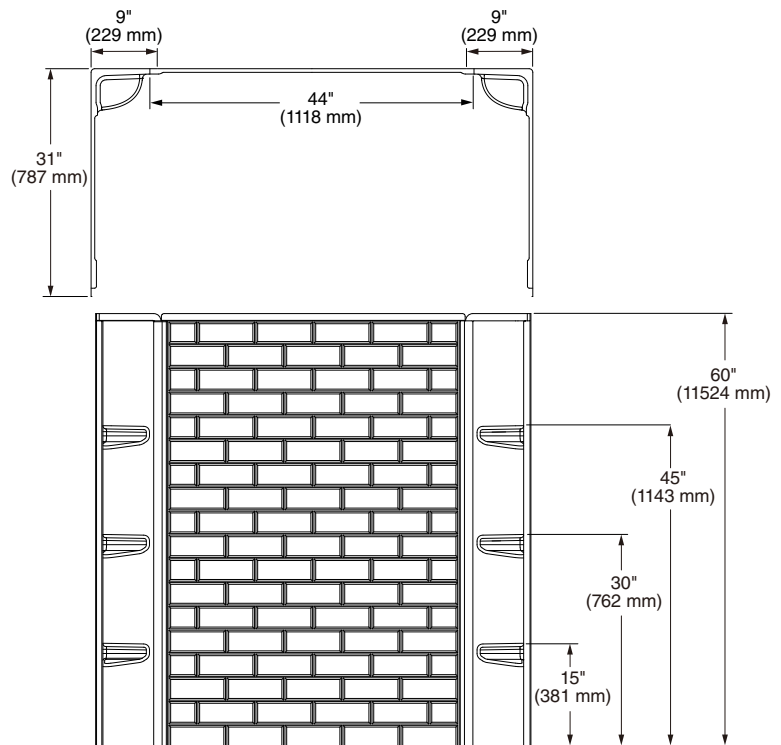
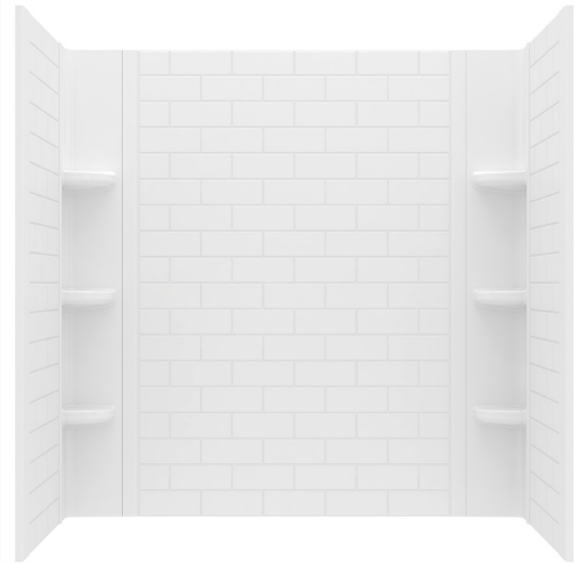
**Ovation Curve™ 60" x 60" 3-piece Tub Wall Set**

**2961BWT60.011**

- 3-piece wall set
- Large subway pattern design
- Tile-like texture without the mess of grout
- Easy-to-clean, high-impact polystyrene material
- Built-in storage with 3 shelves in each corner
- Engineered to fit in smaller packaging for easier transport and handling
- Includes connection extrusions for a no-gap install
- Direct-to-stud install; backing material required, sold separately
- 10 Year Warranty

**Nominal Dimensions:**

60" wide x 30" deep x 60" high  
(1524 x 762 x 1524 mm)



**To Be Specified - Required:**

- Color: .011 Arctic White

**To Be Specified - Optional:**

- Tub: 2576112S (RH), 2576212S (LH)
- Tub Door: AM00843400