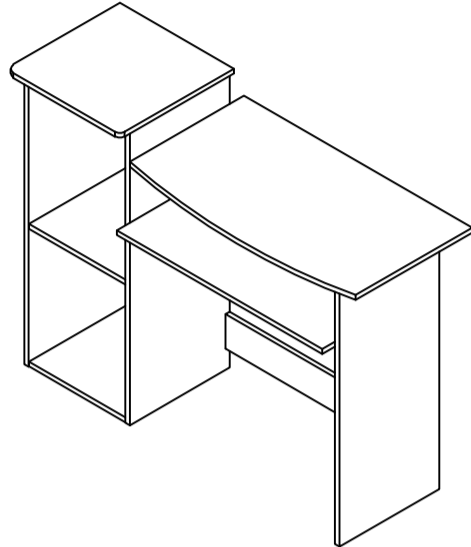
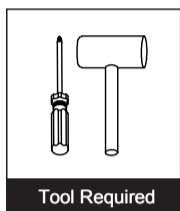
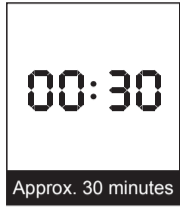




Assembly Instruction

Furinno Econ Multipurpose Computer Writing Desk

MODEL : 99914



Customer Support

NEED HELP? For replacement requests or product inquiries, please contact our Customer Service Team by emailing us at support@furinno.com. Thank you for selecting Furinno!

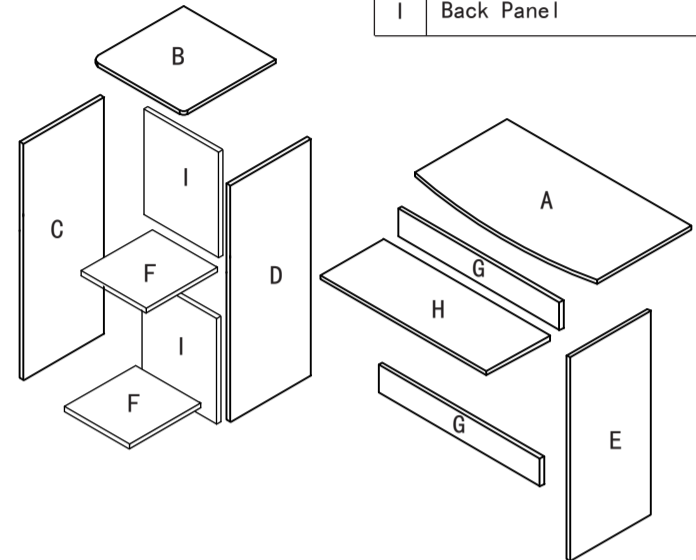
www.furinno.com



9991420180329

No	Hardware List	Qty
1	Screw	18pcs
2	Dowel	6pcs
3	Nail Leg	6pcs
4	Cam-Lock Nut	6pcs
5	Cam-Lock Screw	6pcs
6	Power Pin	16pcs
7	Drawer Slide	1pcs
8	Short Screw	8pcs

No	Parts List	Qty
A	Top Panel 1	1pcs
B	Top Panel 2	1pcs
C	Left Side Panel	1pcs
D	Center Panel	1pcs
E	Right Side Panel	1pcs
F	Shelf Panel	2pcs
G	Cross Bar	2pcs
H	Keyboard Panel	1pcs
I	Back Panel	2pcs

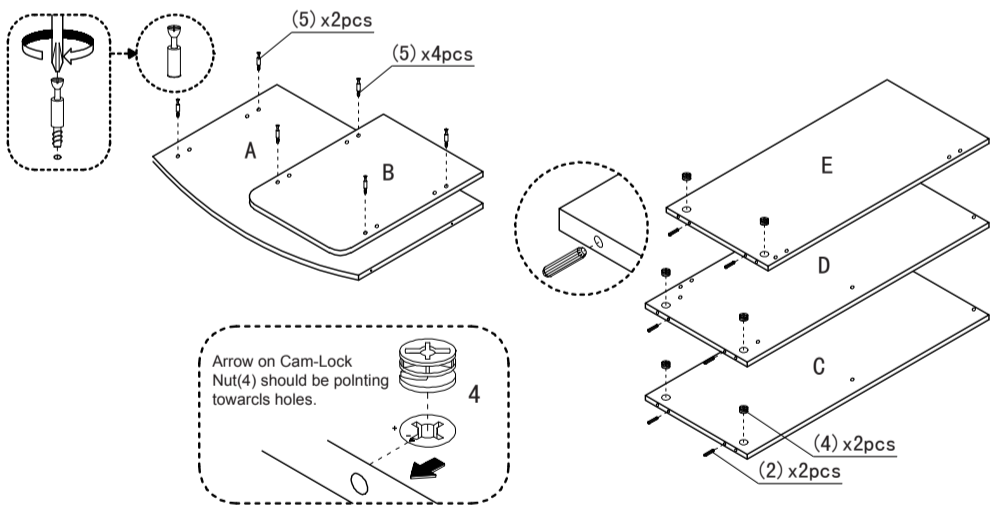


USEFUL HINTS BEFORE YOU START:

1. Read each step carefully before starting.
2. It is important that each step is performed in correct order to avoid difficulties.
3. Identify, sort and count the parts before assembly.
4. Assemble your furniture on packaging cardboard to prevent scratch or damage.
5. Clean the product with mild cleanser using soft dampened cloth. Do not use harsh or abrasive cleanser.
6. Using incompatible hardware might cause damage to product.

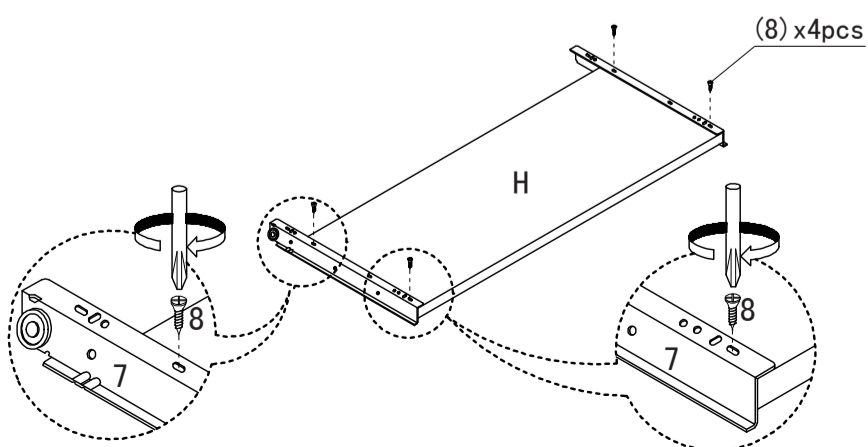
STEP 1

- 1.1 Insert Dowel (2) and Cam-Lock Nut (4) to Panel (C) (D) & (E), as shown.
- 1.2 Screw Cam-Lock Screw (5) into the pre-drilled holes on Panel (A) & (B).



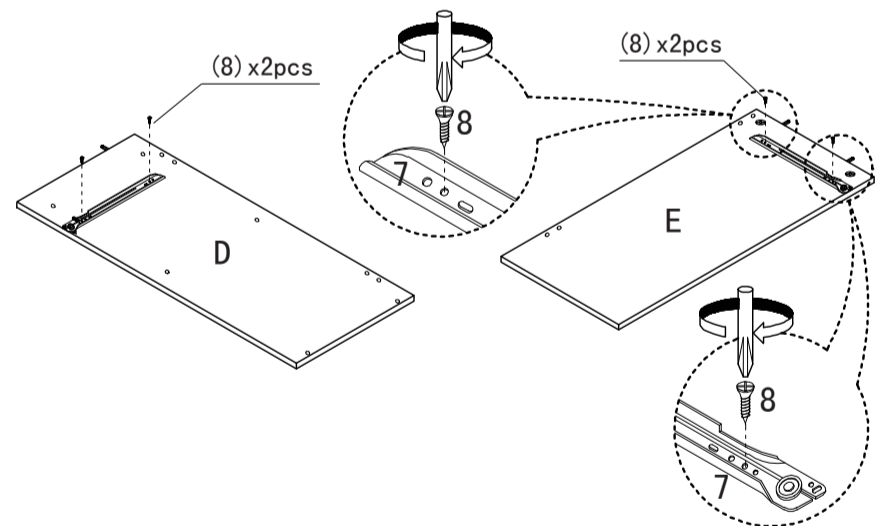
STEP 2

- Fix Drawer Slide (7) to Panel (H) using Screw (8).
- Note: Please make sure left/right side of Drawer Slide (7) before attach it.



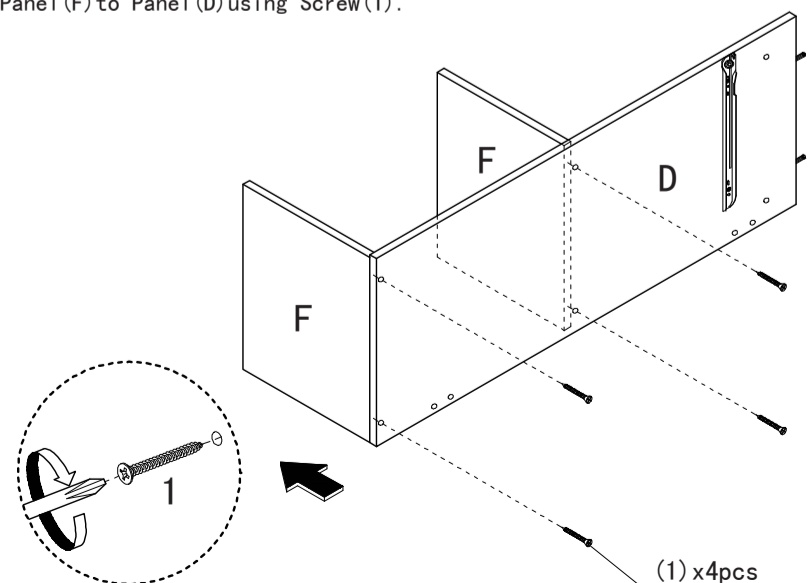
STEP 3

- Fix Drawer Slide (7) to Panel (D) & (E) using Screw (8).
- Note: Please make sure left/right side of Drawer Slide (7) before attach it.



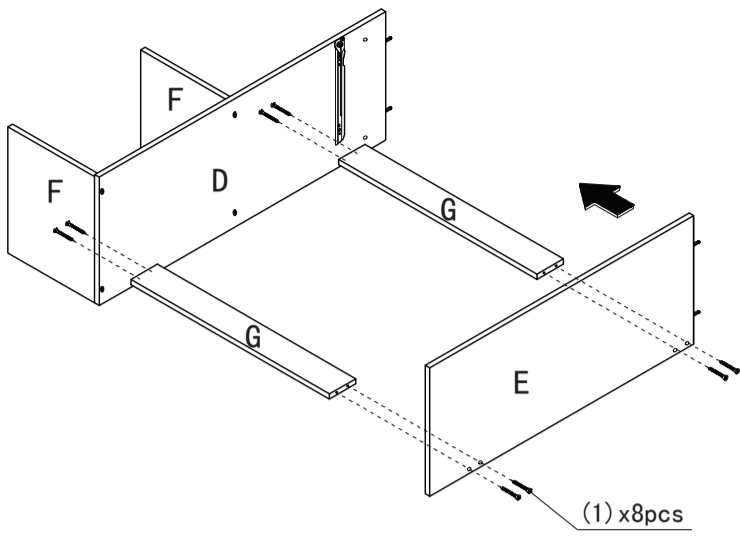
STEP 4

- Attach Panel (F) to Panel (D) using Screw (1).



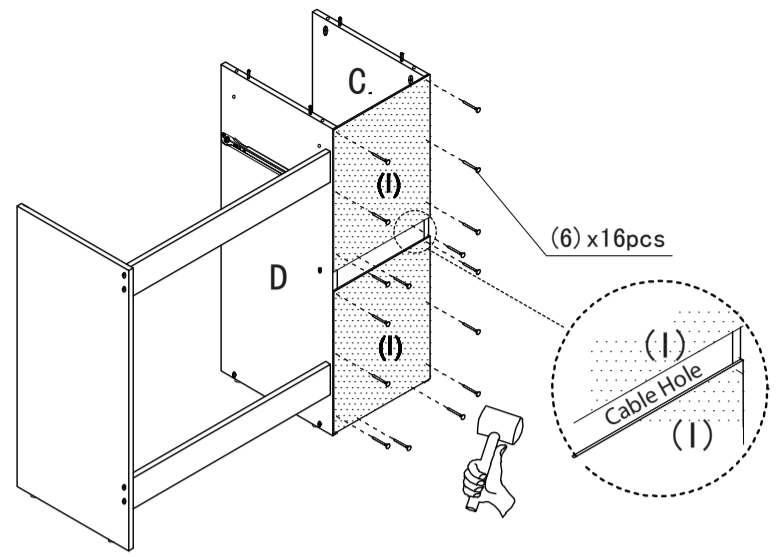
STEP 5

Attach Panel (G) to Panel (D) & (E) using Screw (1).



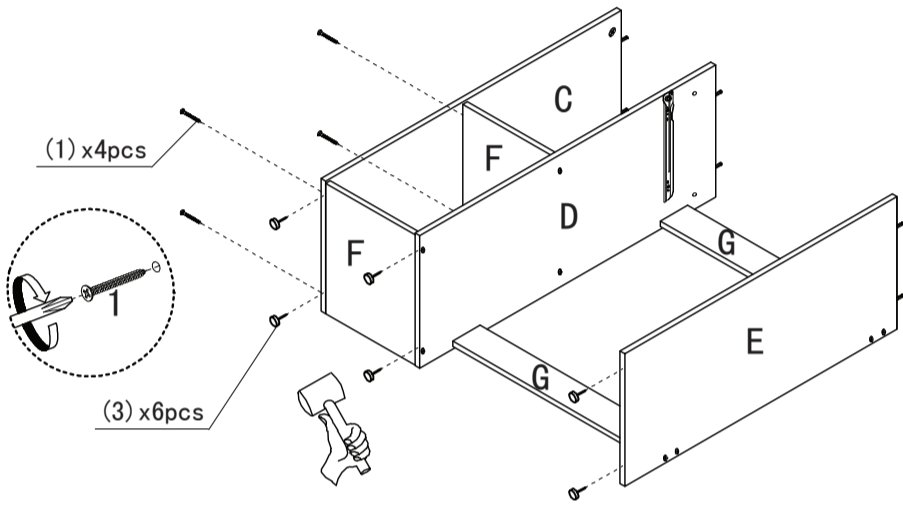
STEP 7

Attach Back Panel (I) to the back position of Panel (C) & (D) using Power Pin (6).



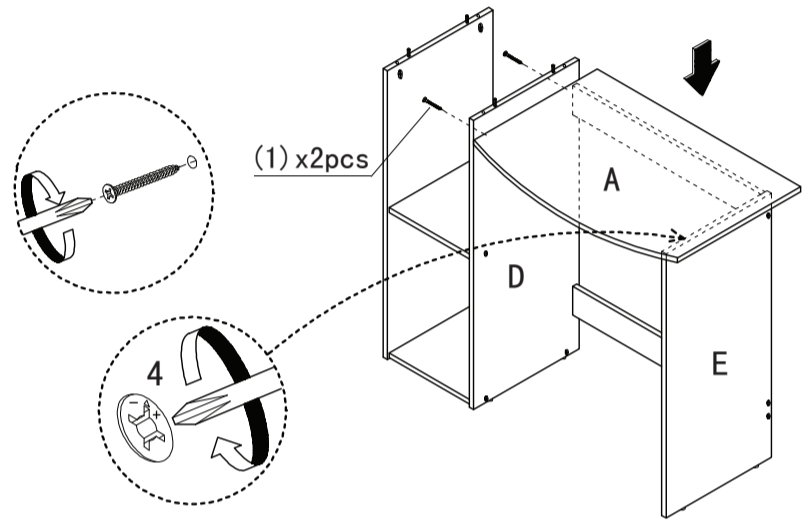
STEP 6

- 6.1 Attach Panel (C) to assembled parts using Screw (1).
- 6.2 Install Nail Leg (3) to the bottom of Panel (C) (D) & (E) using rubber mallet.



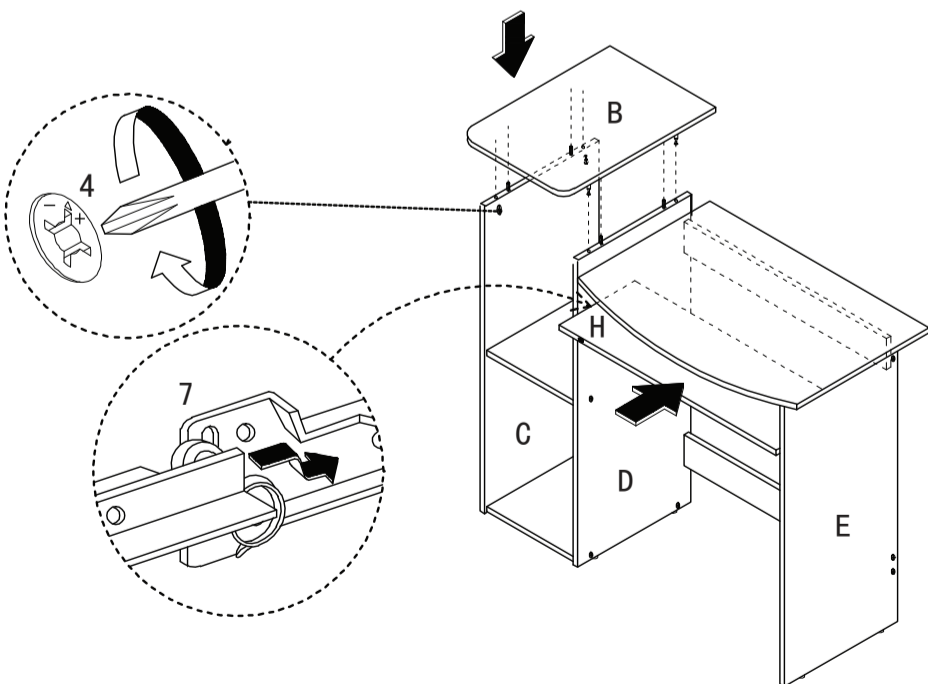
STEP 8

- 8.1 Attach Panel (A) to Panel (D) using Screw (1).
- 8.2 Tighten Cam-Lock Nut (4) on Panel (E) by using screwdriver.

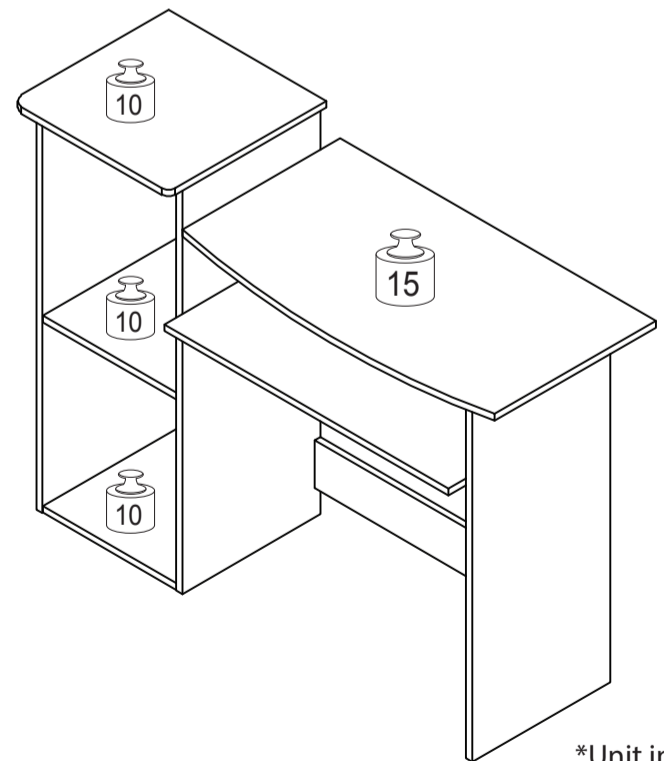


STEP 9

- 9.1 Attach Panel (B) to Panel (C) & (D) and tighten Cam-Lock Nut (4) using screwdriver.
- 9.2 Slide the Keyboard Panel (H) to the assembled unit.



Recommended Maximum Weight



*Unit in Pound(lbs)

WARNING:

>This unit has been designed to support the maximum loads shown. Exceeding these load limits could cause sagging, instability, product collapse, and/or serious injury.

>DO NOT allow children to climb on unit.

>Put heavier items on lower shelves.