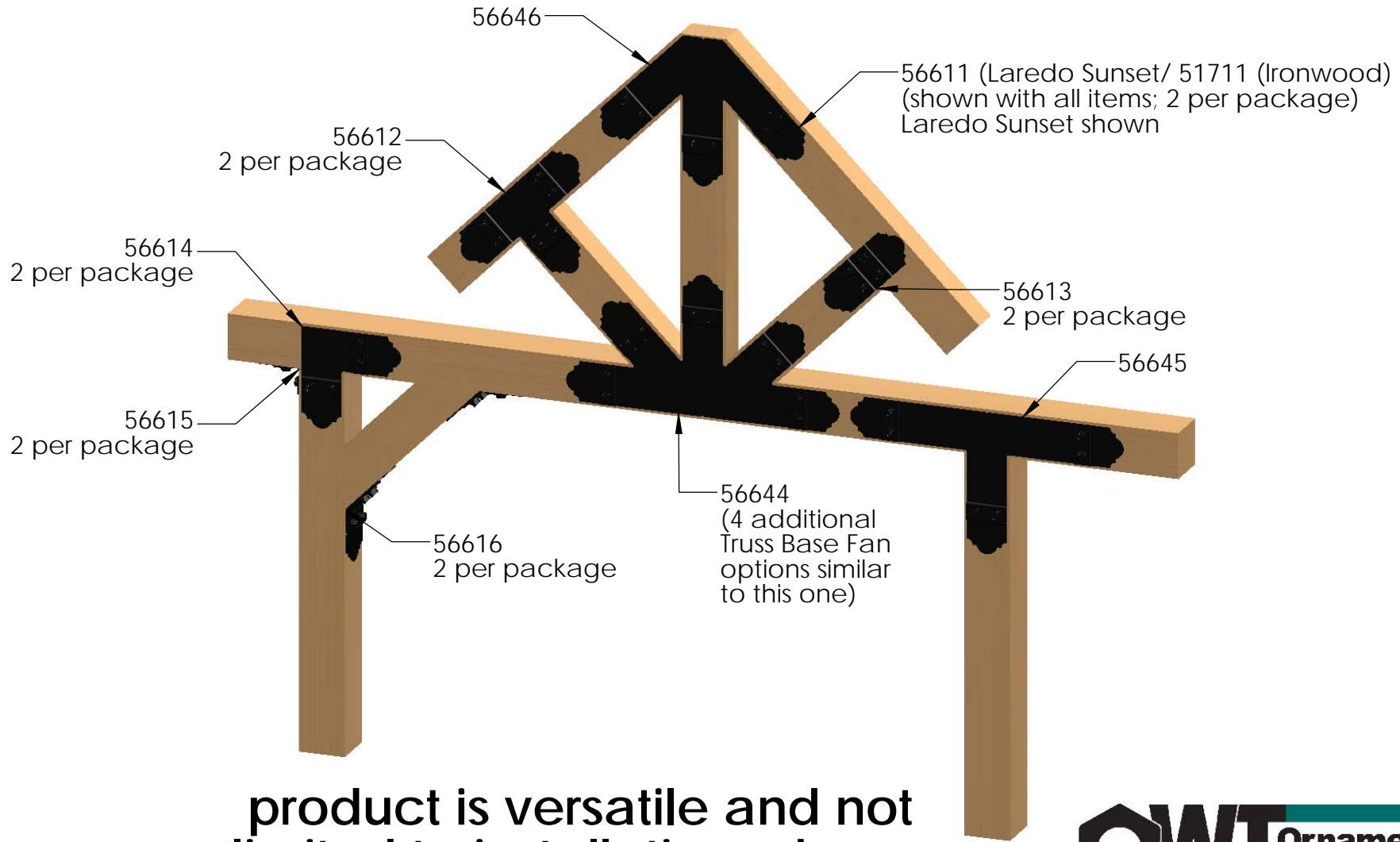


# Installation Instructions, Osco Truss System



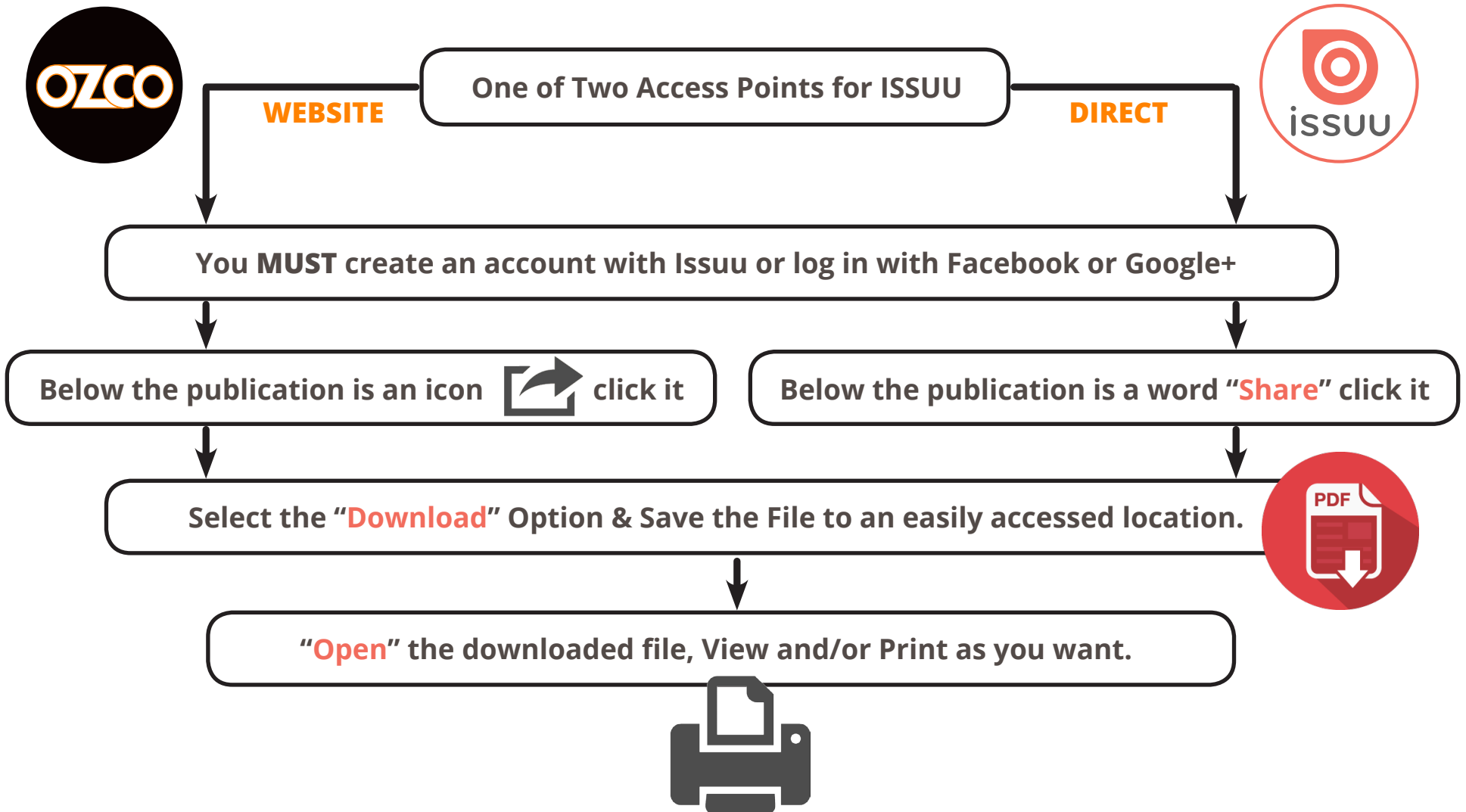
product is versatile and not limited to installations shown





# Printing Documents from ISSUU

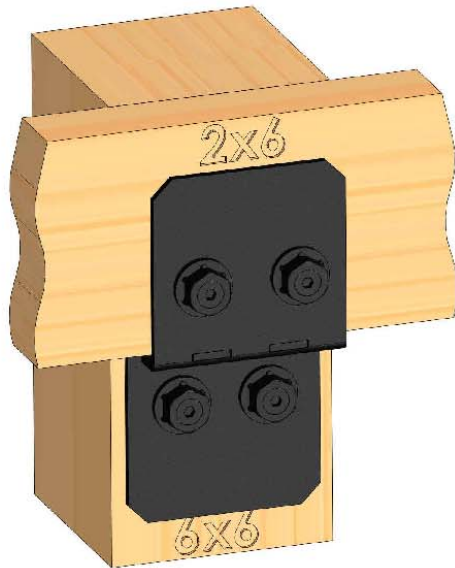
Unfortunately, there is currently no way to print content directly through issuu. To print a publication, you will need to download it and print it from your computer.



# Laredo Sunset

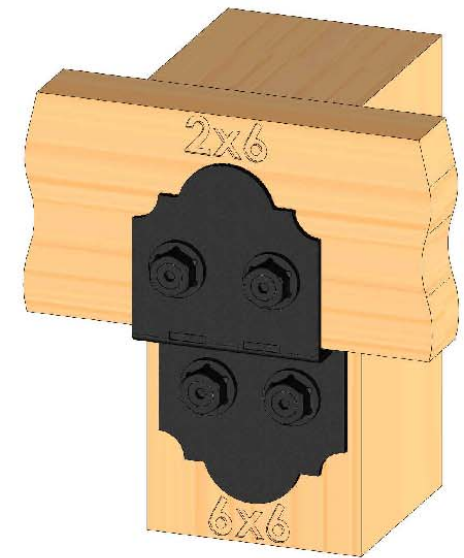
vs.

# Ironwood



Ironwood  
(517XX series)

2 great styles  
same functionality



Laredo Sunset  
(566XX series)

choose your connection lifestyle

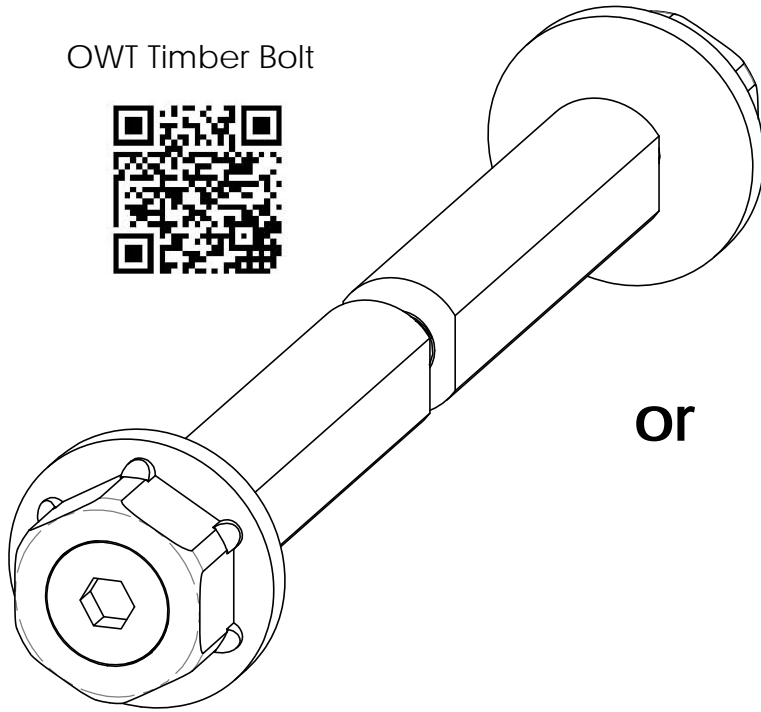
both styles available for most products



OZCO BUILDING PRODUCTS

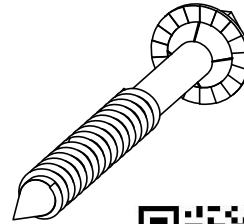


OWT Timber Bolt

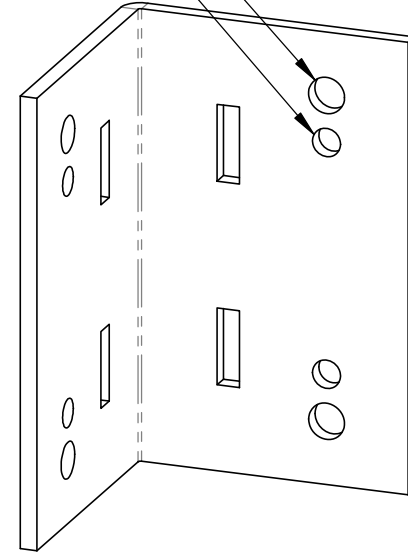


or

OWT Timber Screw



Timber Bolt mounting hole  
Timber Screw mounting hole



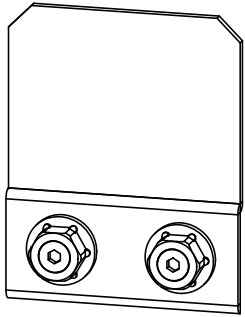
Reference 56615  
(all Truss product has both mounting holes)

*Fasteners purchased separately.*

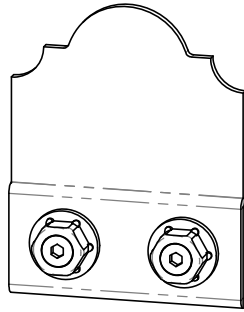
Must be selected based on length and strength requirements  
product pages will show both options to assist with selection

## Fasteners

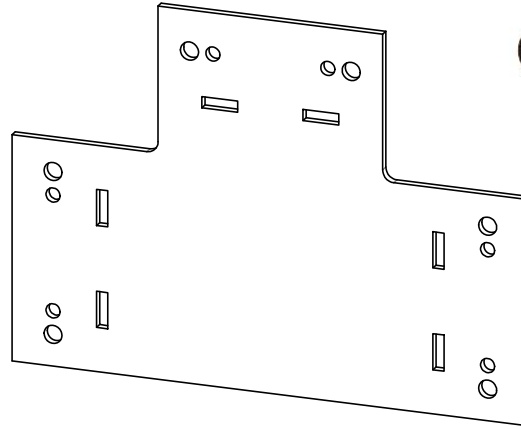
Installation Instructions, Osco Truss System



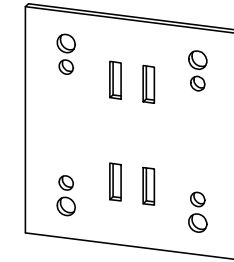
51711  
(accessory)  
2 per package  
to be used with all  
Truss brackets



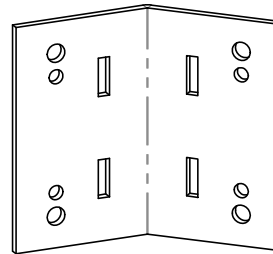
56611  
(accessory)  
2 per package  
to be used with all  
Truss brackets



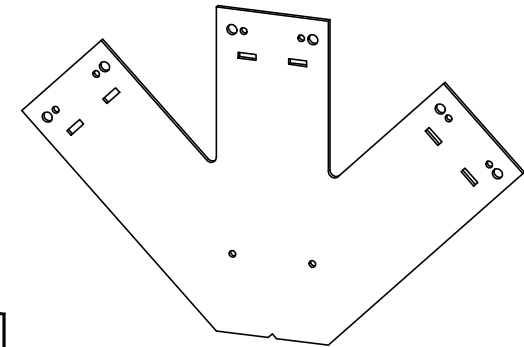
56612  
2 per package



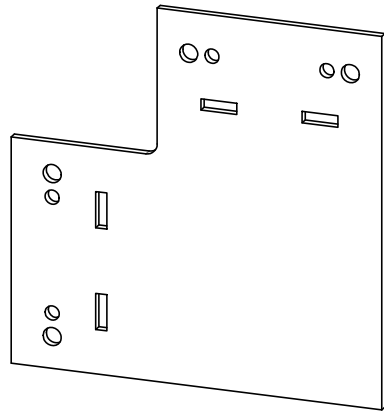
56613  
2 per package



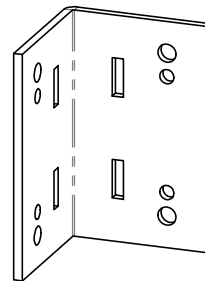
56616  
2 per package



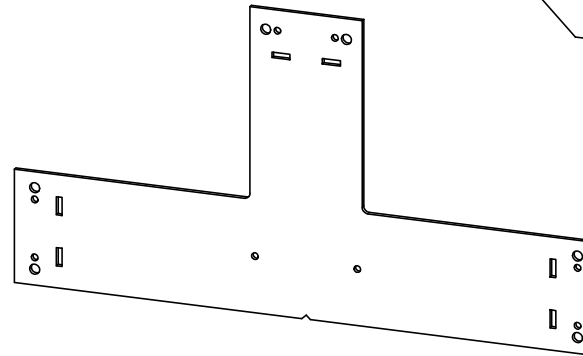
56646



56614  
2 per package



56615  
2 per package

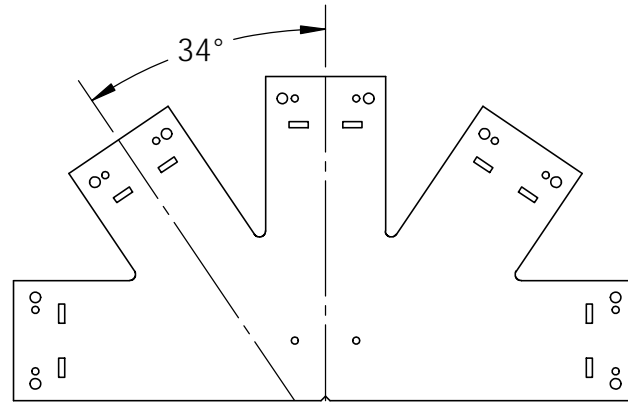


56645

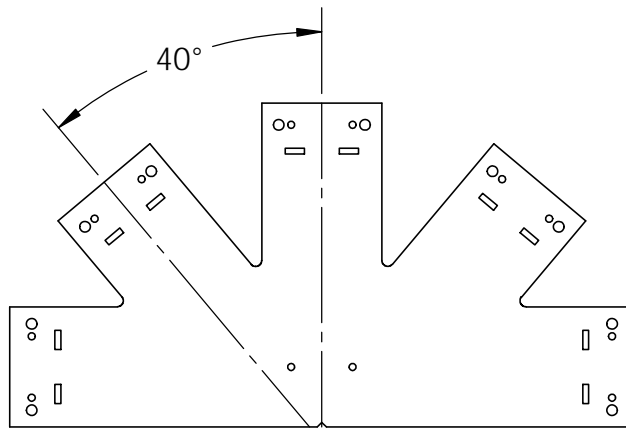
## Truss Ties & Accent

Installation Instructions, Osco Truss System

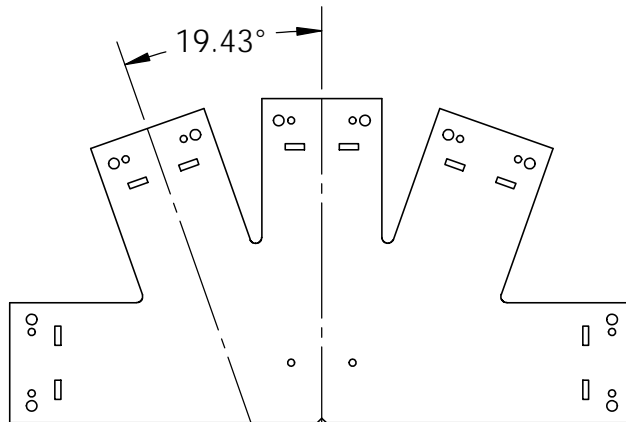
56619  
8:12 Truss Base Fan  
(TBF-8-12)



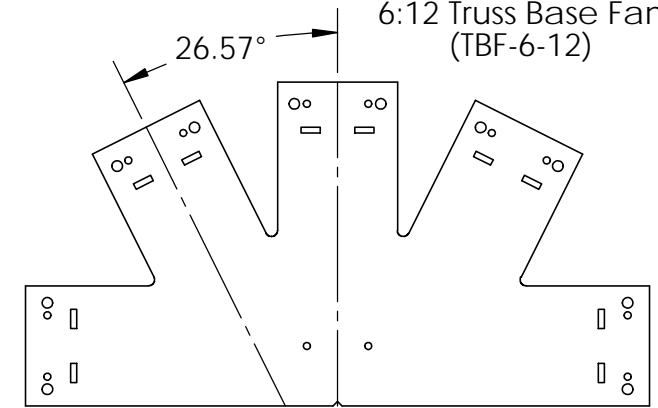
56620  
10:12 Truss Base Fan  
(TBF-10-12)



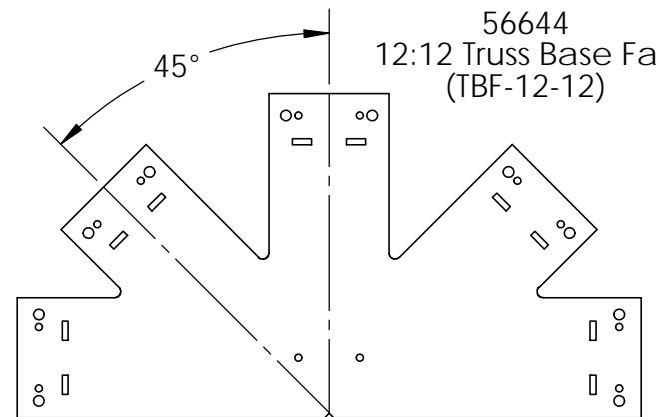
56642  
4:12 Truss Base Fan  
(TBF-4-12)



56643  
6:12 Truss Base Fan  
(TBF-6-12)



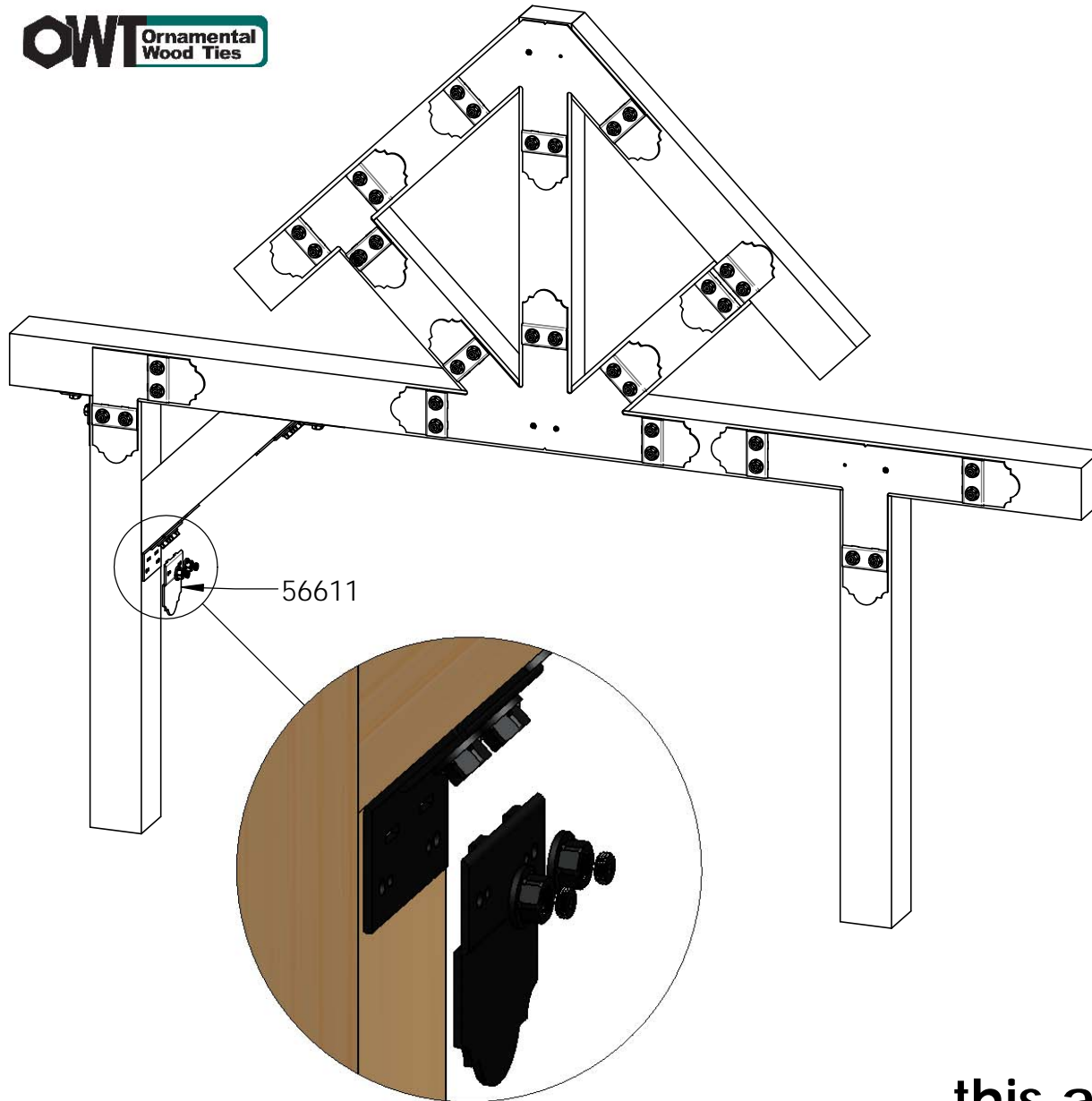
56644  
12:12 Truss Base Fan  
(TBF-12-12)



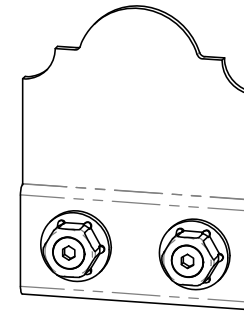
## Truss Base Fan

Installation Instructions, Osco Truss System

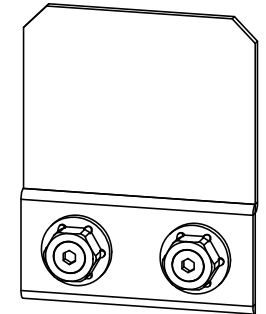




56611



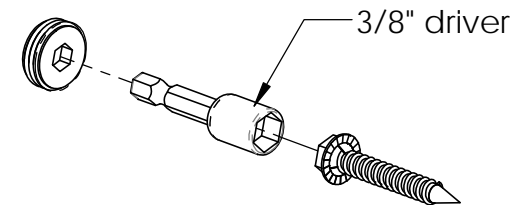
56611  
(accessory)  
2 per package  
to be used with all  
Truss brackets



51711  
(accessory)  
2 per package  
to be used with all  
Truss brackets

Fasteners not shown.

Fasteners from brackets will be utilized



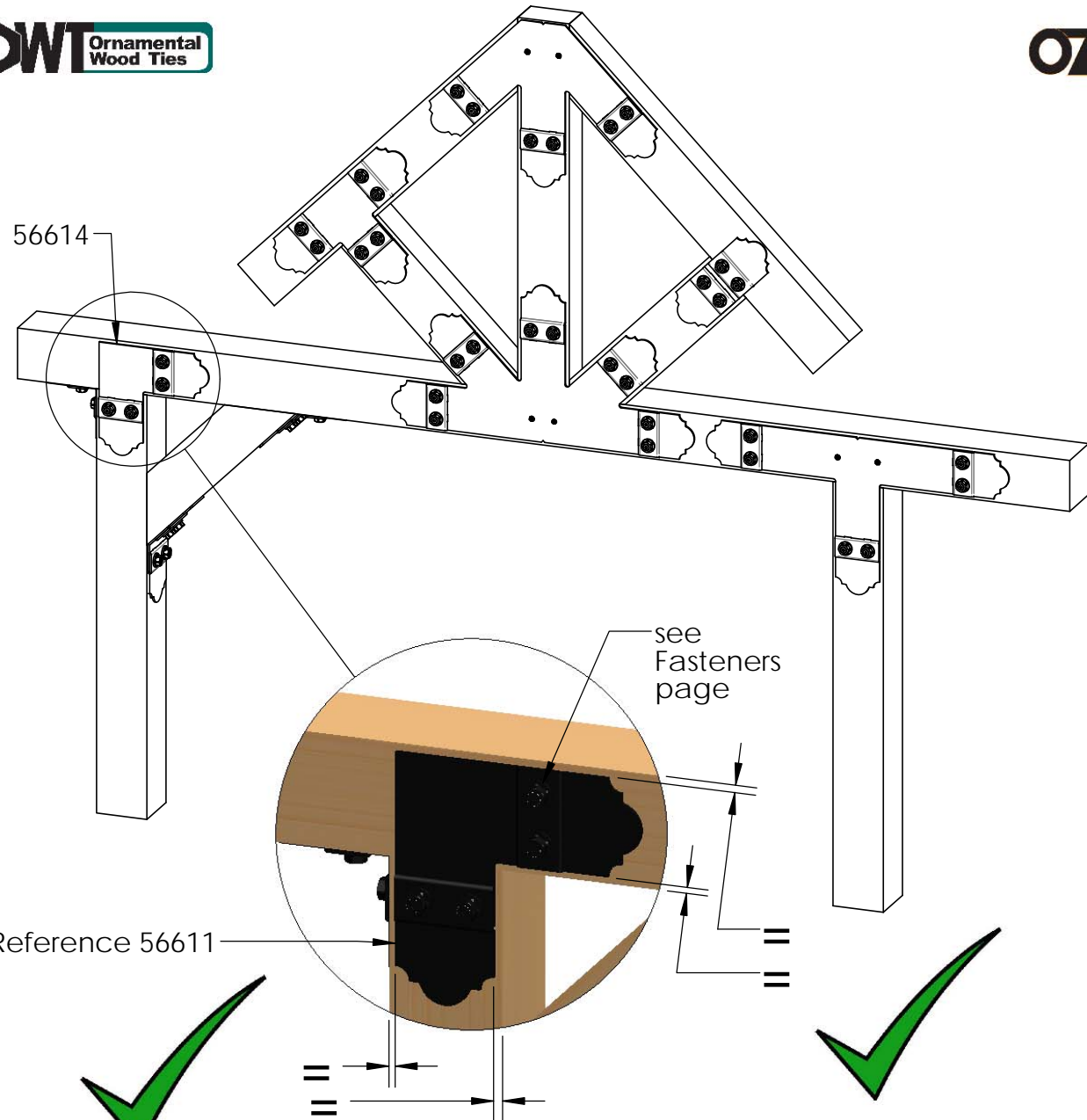
**this accessory compliments  
all Ozco Truss brackets**  
(shown installed on all)

# 56611

Installation Instructions, Osco Truss System

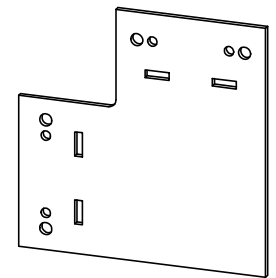


56614

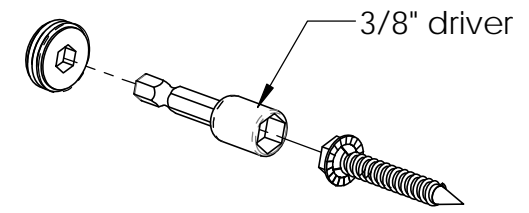


see Fasteners page

Reference 56611



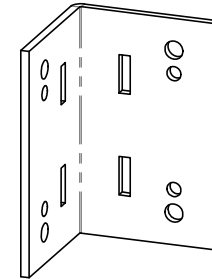
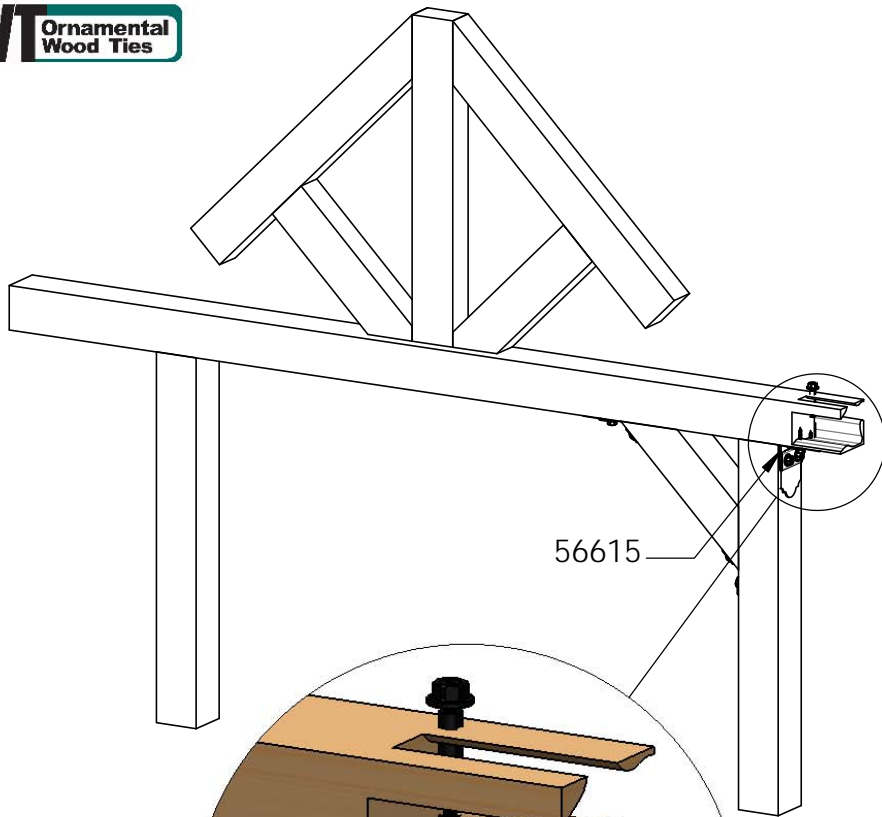
56614  
2 per package



3/8" driver

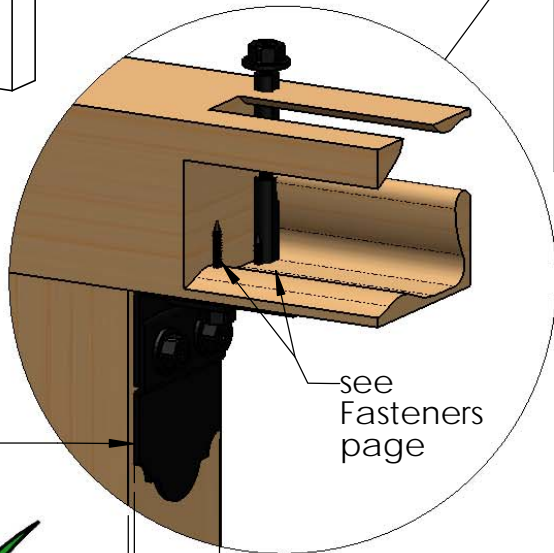
# 56614

Installation Instructions, Osco Truss System



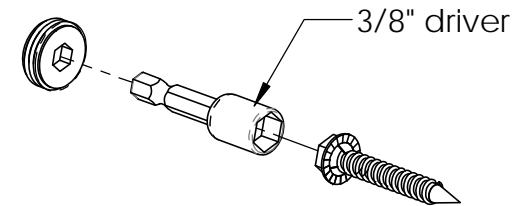
56615  
2 per package

56615



Reference 56611

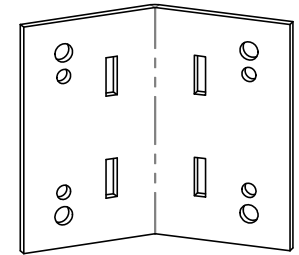
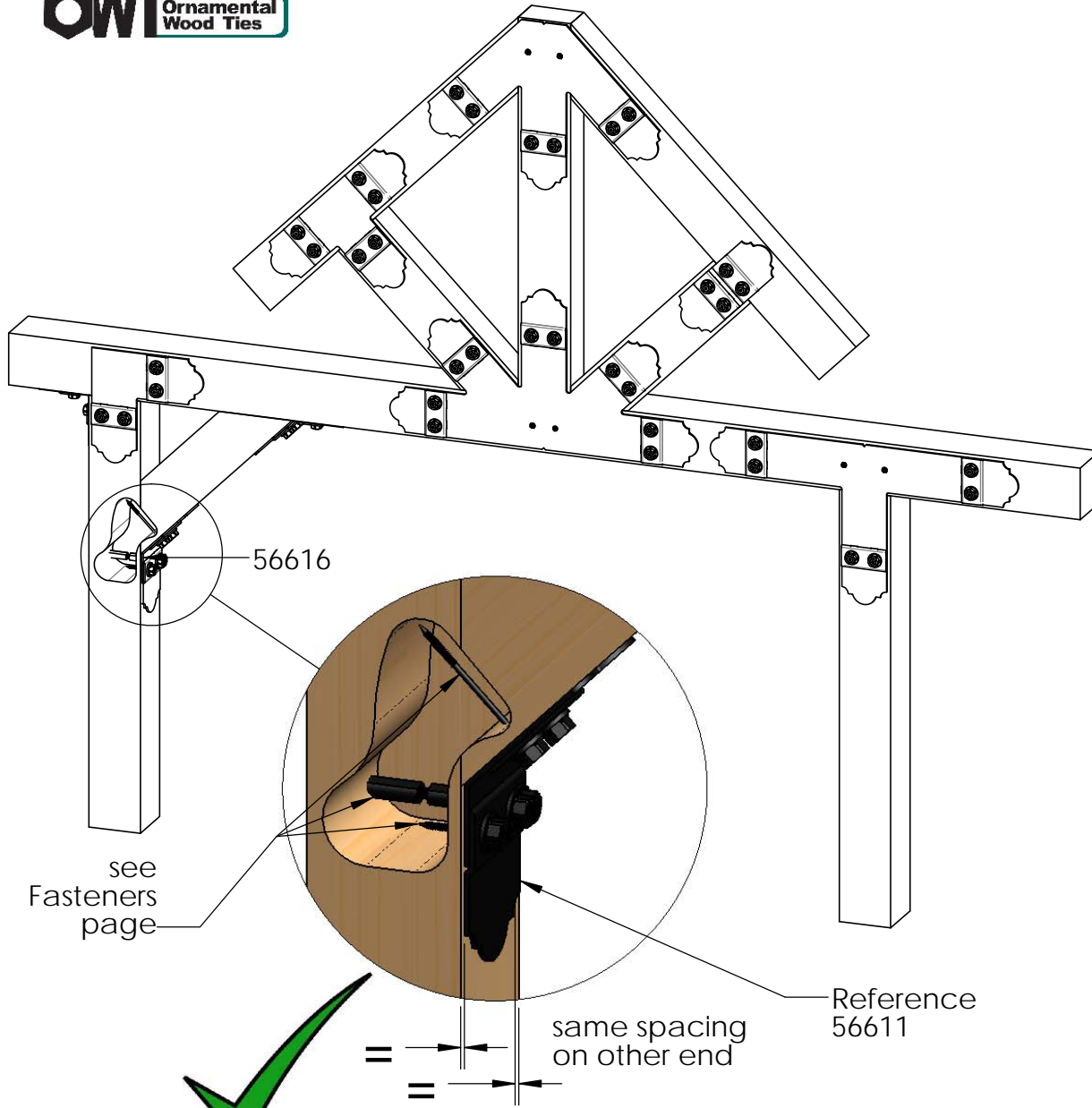
same spacing  
on other end



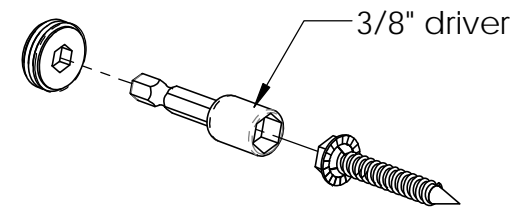
3/8" driver

# 56615

Installation Instructions, Osco Truss System

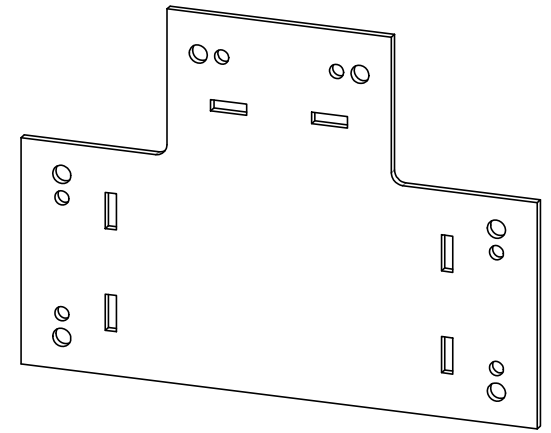
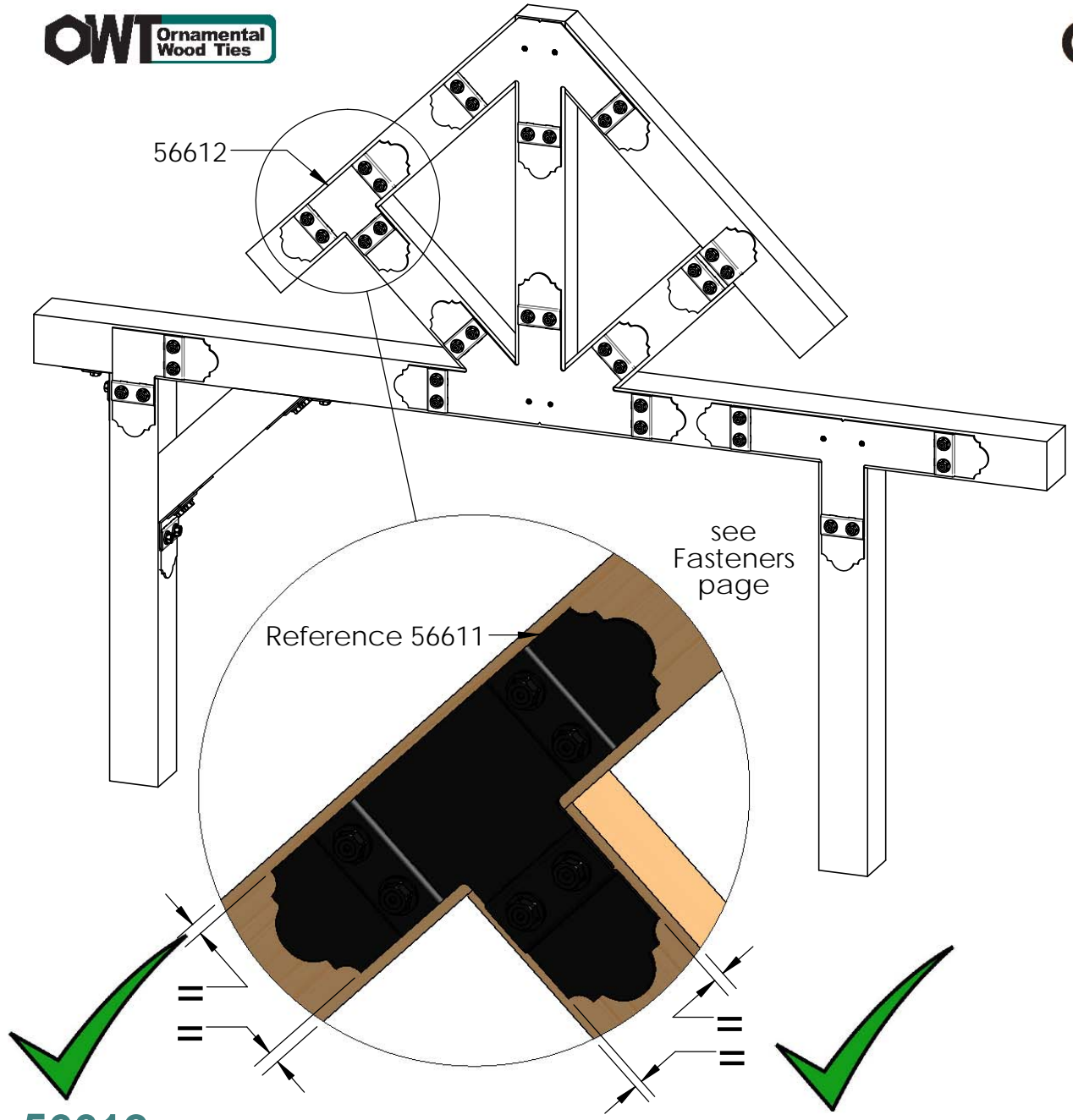


56616  
2 per package

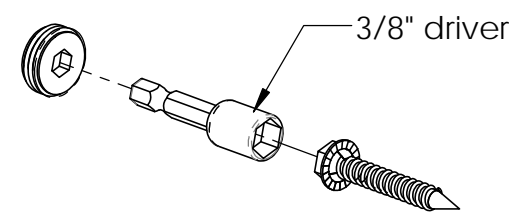


# 56616

## Installation Instructions, Osco Truss System

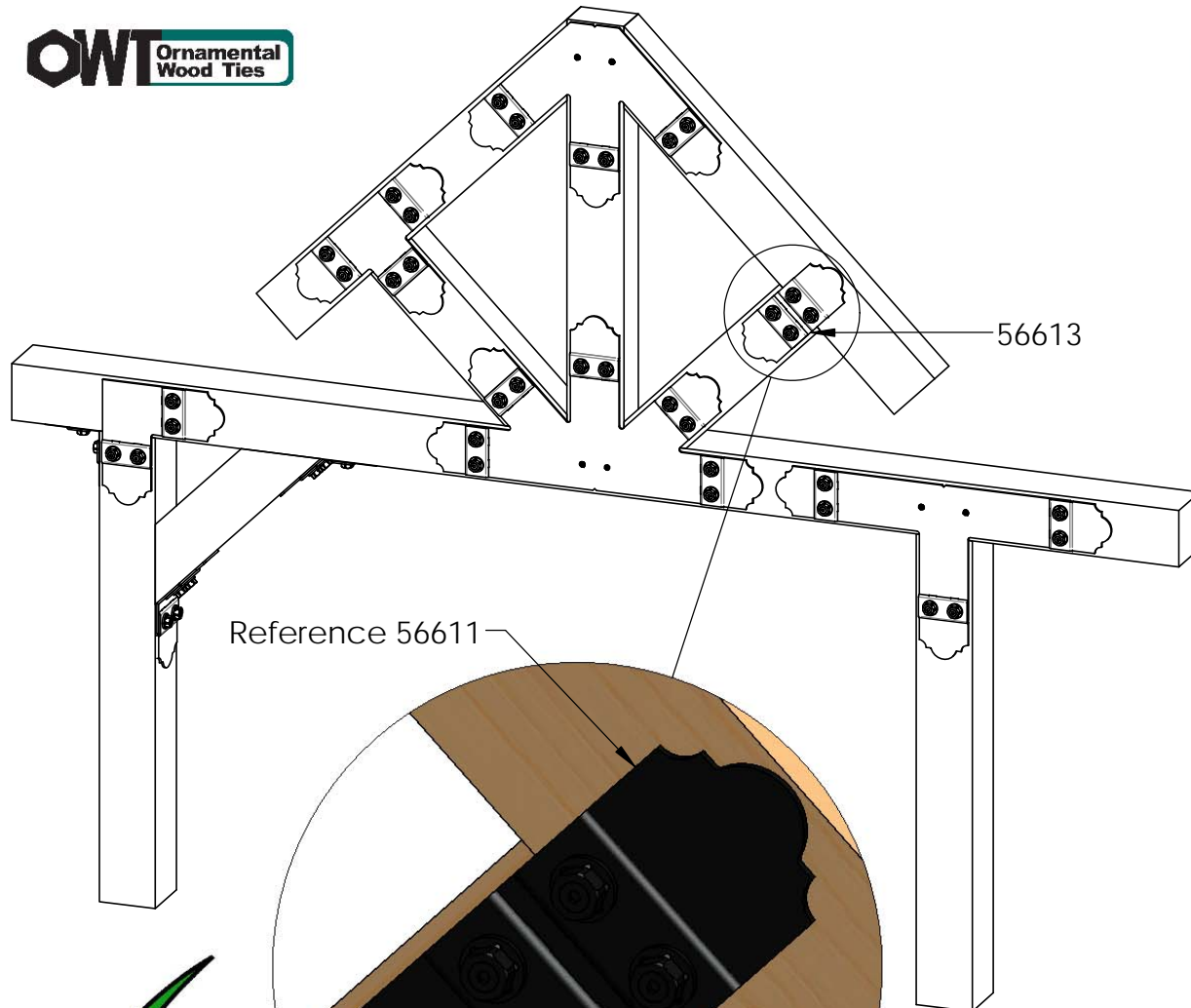


56612  
2 per package



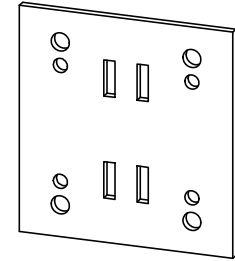
# 56612

Installation Instructions, Osco Truss System

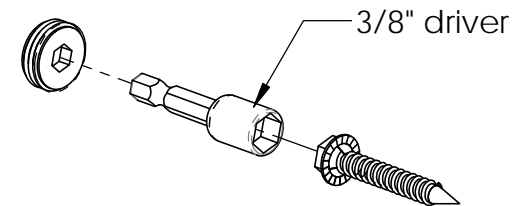


Reference 56611

56613



56613  
2 per package

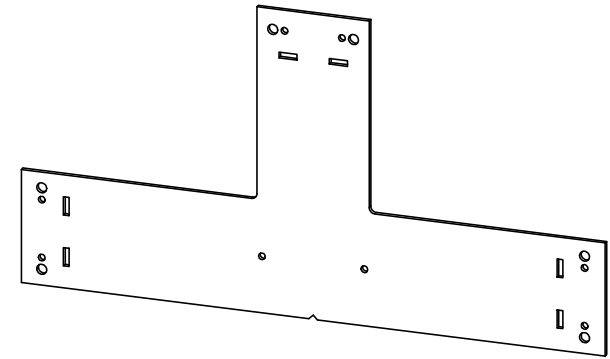
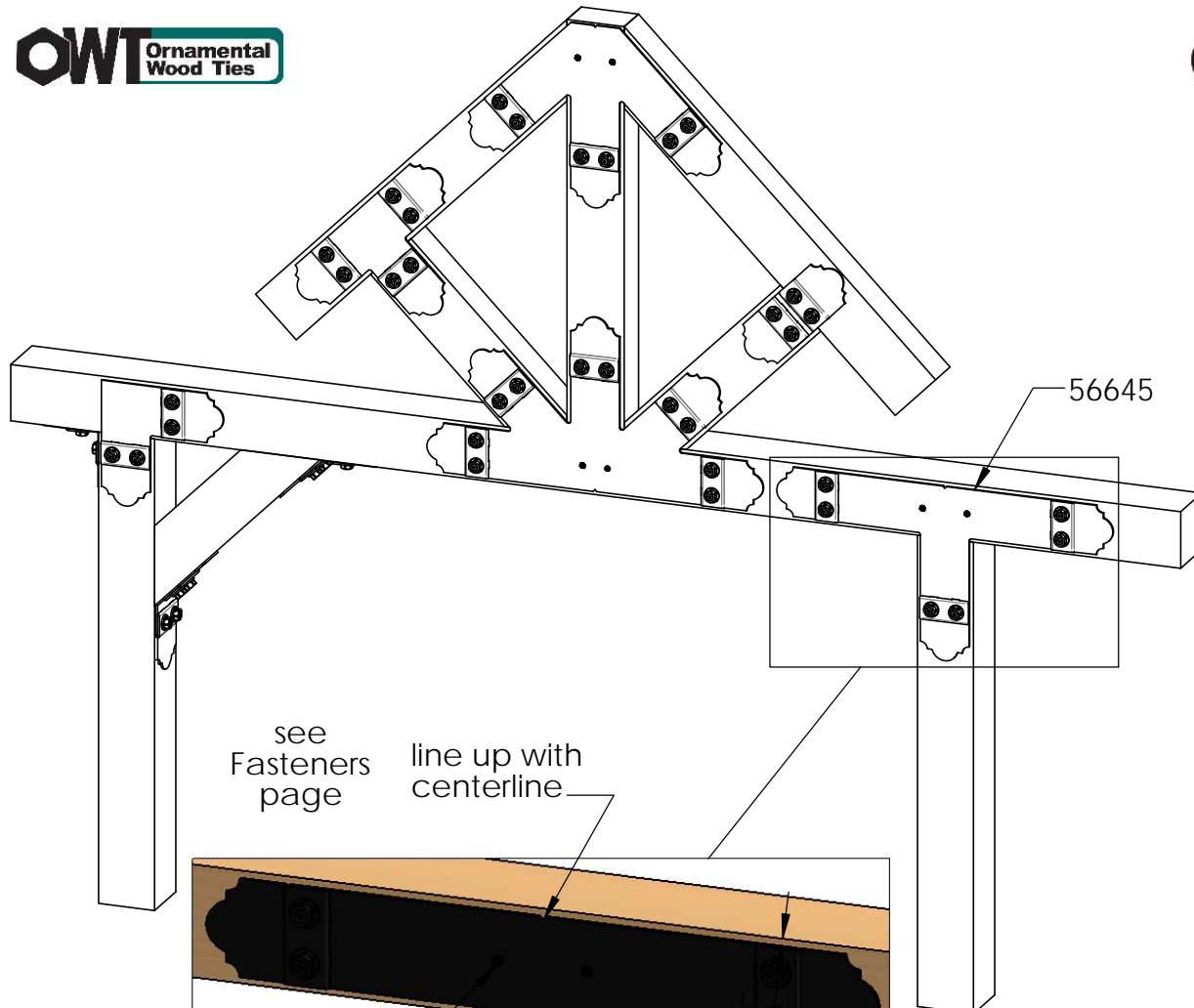


3/8" driver

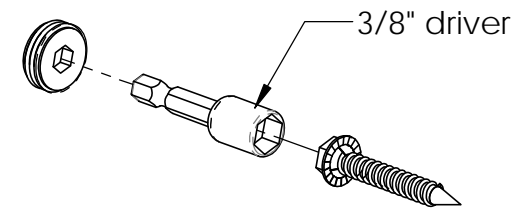
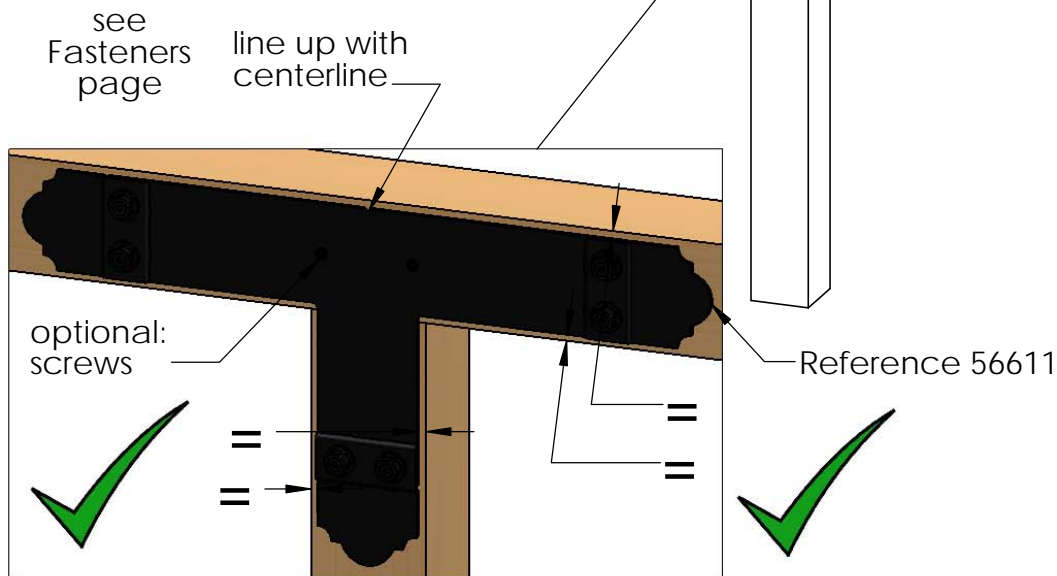
see  
Fasteners  
page

**56613**

Installation Instructions, Osco Truss System



56645

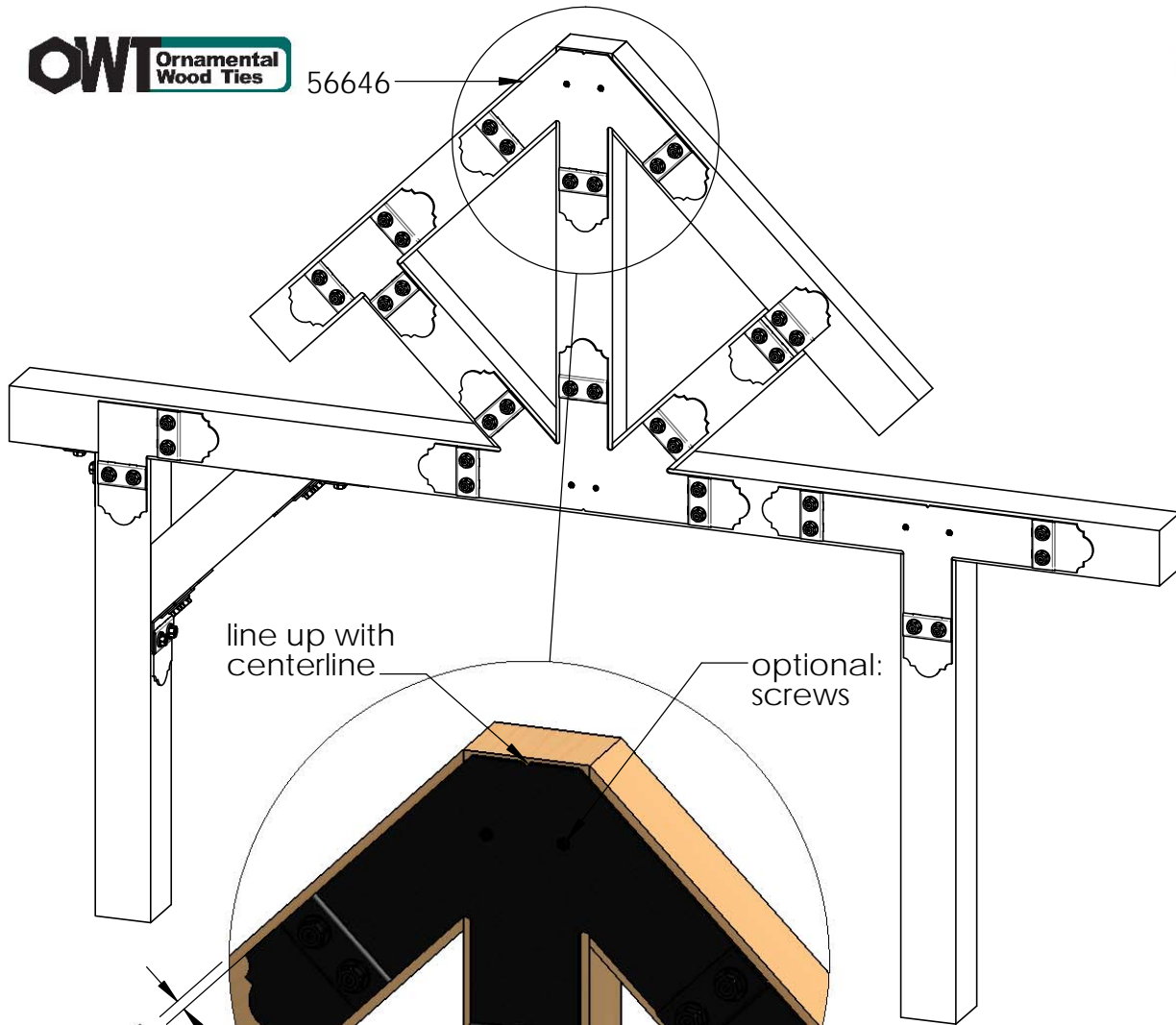


3/8" driver

# 56645

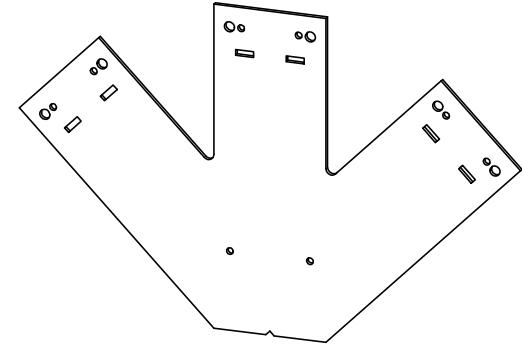
## Installation Instructions, Osco Truss System

56646

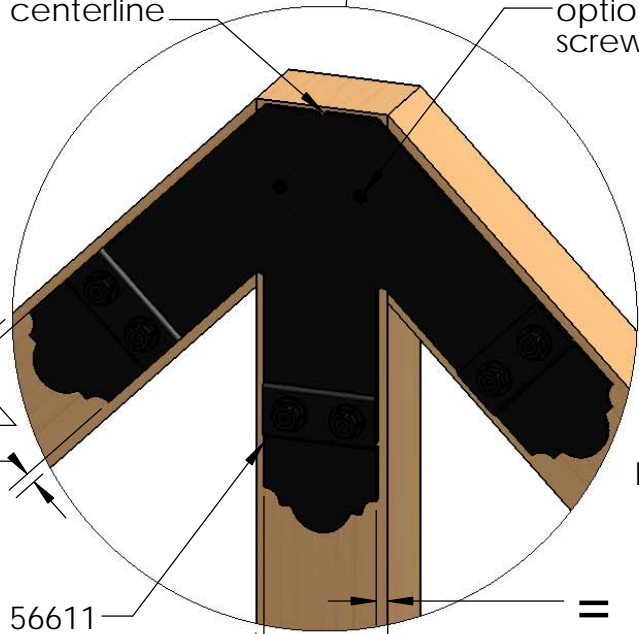


line up with centerline

optional: screws

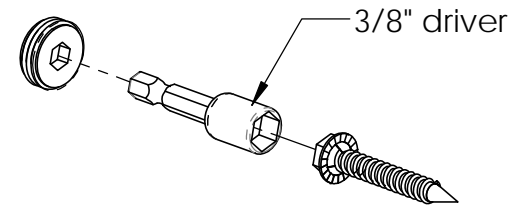


56646  
(shown installed inverted)



Reference 56611

see Fasteners page

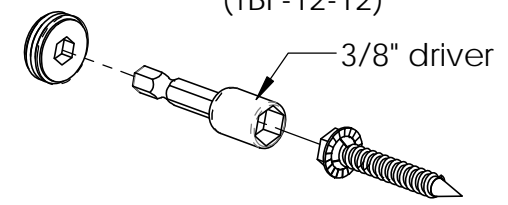
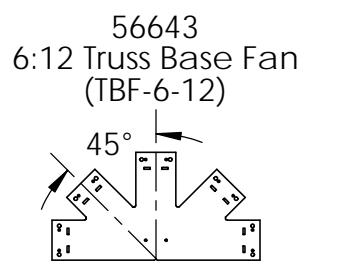
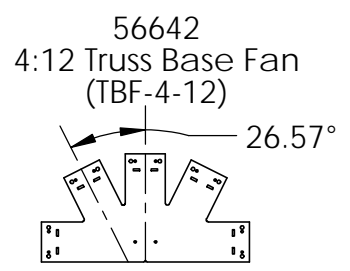
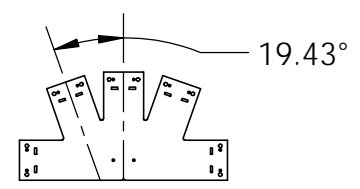
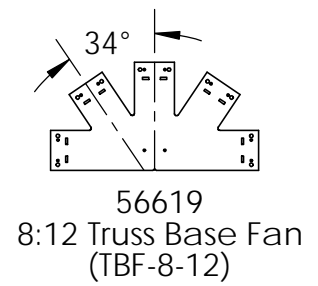
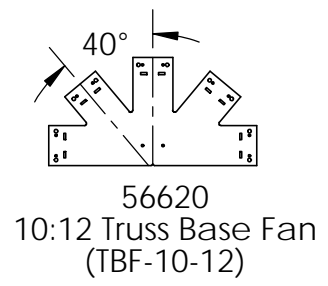
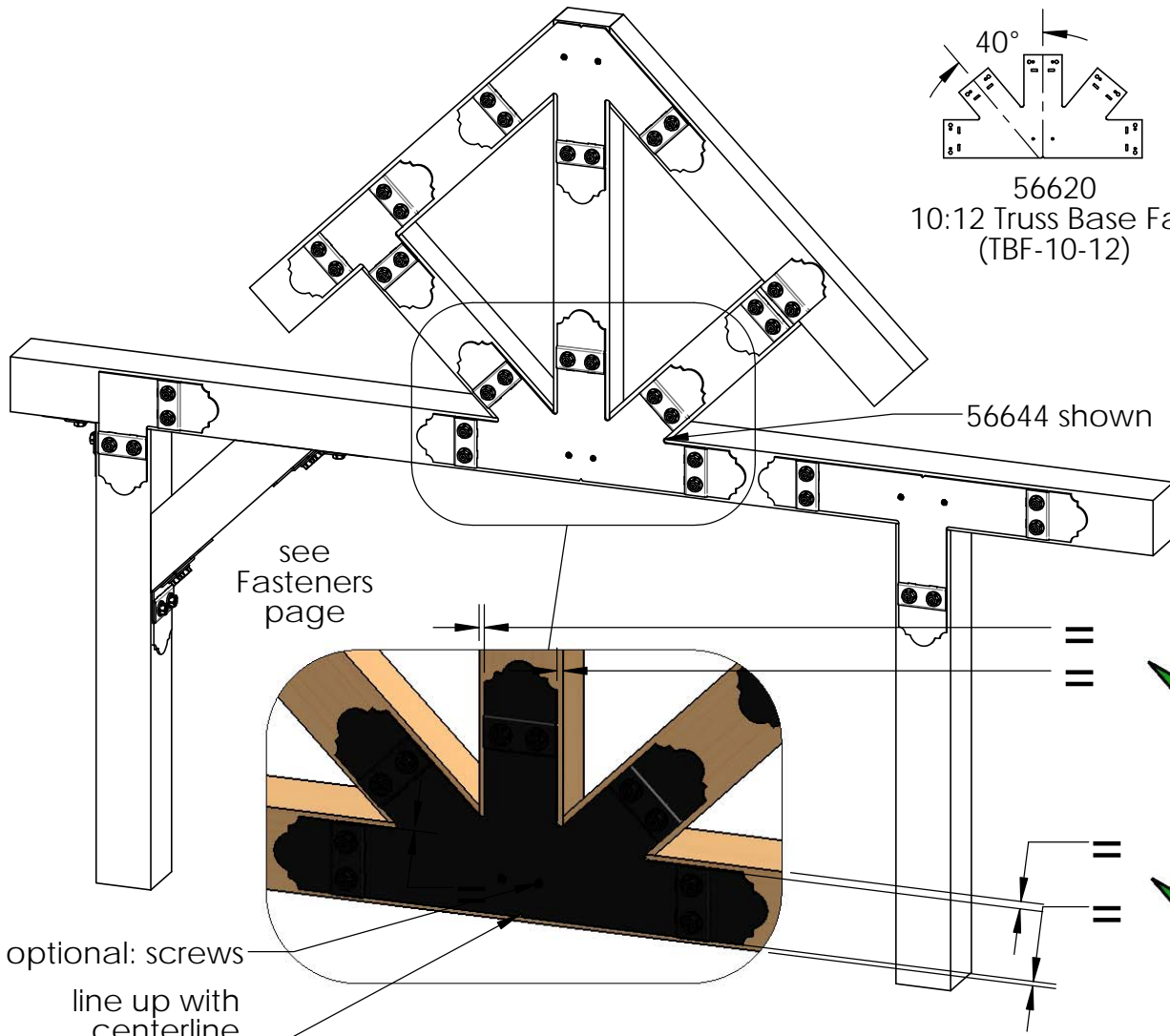


3/8" driver

# 56646

Installation Instructions, Osco Truss System





# Truss Base Fan

Installation Instructions, Ozco Truss System