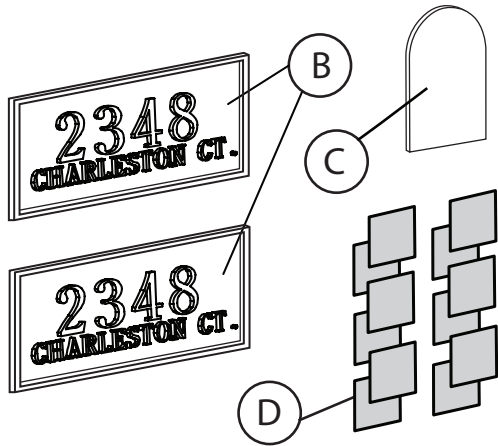


Personalized Door and Side Plaque Installation



Parts Included:

- A) Capitol Mailbox
- B) Address Sign - 2 (optional)
- C) Door Sign (optional)
- D) 2" x 2" Adhesive Tape Squares

Instructions:

- 1) Lay down a soft clean cloth on a flat surface. Place Capitol Mailbox (A) on its side and one (1) address sign (B) face down. With a soft cloth, wipe backside of the plaque and within the mailbox's plaque frame to ensure proper tape adhesion.
- 2) Without removing the adhesive backing, place four (4) of the provided Adhesive Tape Squares (C) within the corners of the plaque frame (FIG. 1A) approx. 1/4"-1/2" from each border edge. Be sure to give each square enough space to avoid overlap or overhang (FIG. 1B).
- 3) Once evenly spaced, peel off one (1) plastic backer of each adhesive tape square one by one and replace **EXACTLY** with the sticky side down. **TAPE BONDS IMMEDIATELY**. Press firmly for 15 seconds to **FULLY** activate adhesive. Repeat for each tape square.
- 4) Peel off the remaining plastic backers. Locate clean address sign (B) and ensure sign has upright orientation before installation. **The adhesive bond immediately and cannot be repositioned**. With the Mailbox (A) still on its side, align the address sign (B) within the raised border. Slowly set the plaque in its place. Press firmly for 15 seconds over each tape location to **FULLY** activate adhesive.
- 5) Continue with steps 1-4 for remaining address sign (B) and Door Sign (C).
- 6) Enjoy your new personalized Capitol Mailbox!

FIG.1A

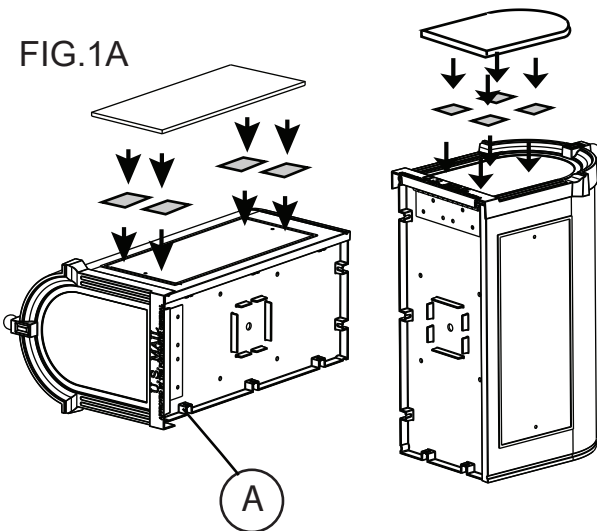
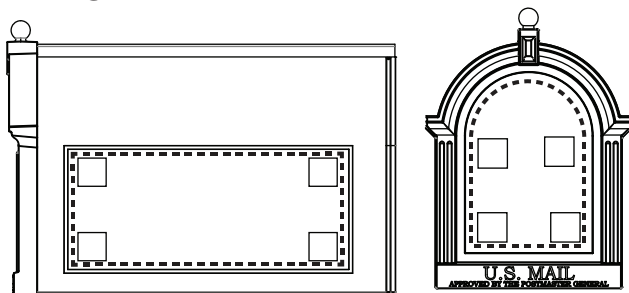


FIG.1B



Place tape within raised boarder 1/4"