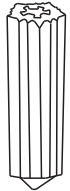
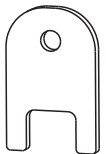


4X

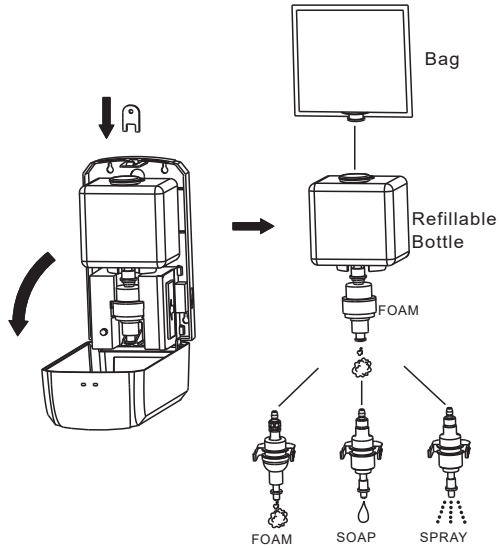


4X



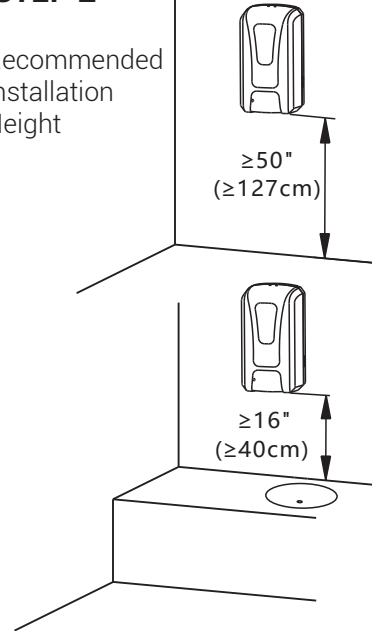
1X

STEP 1

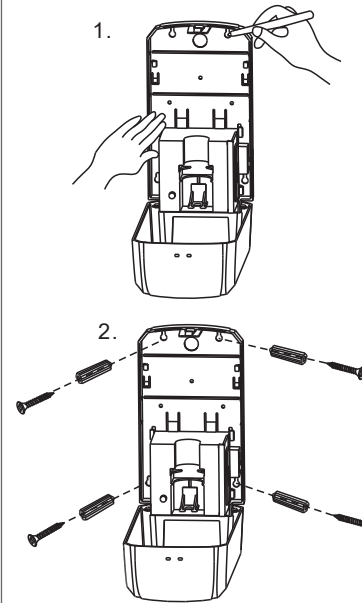


STEP 2

Recommended
Installation
Height

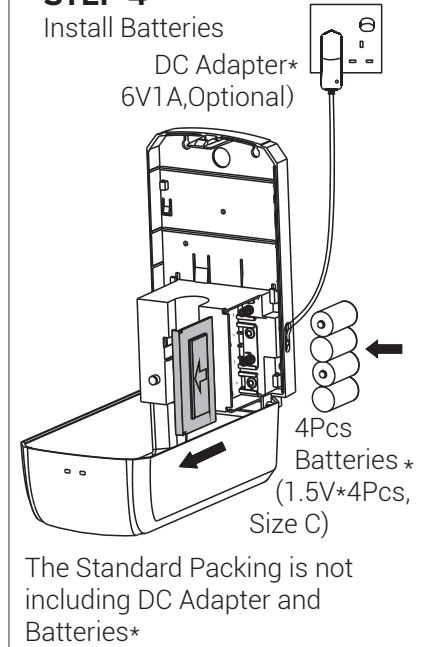


STEP 3



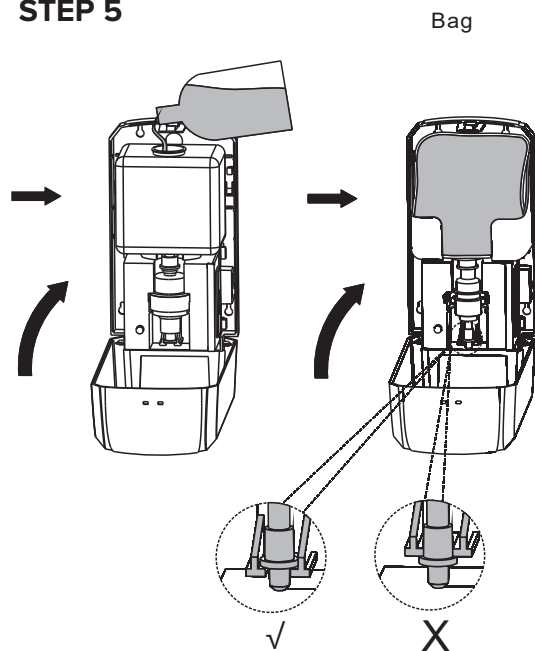
STEP 4

Install Batteries
DC Adapter*
(6V1A,Optional)



The Standard Packing is not including DC Adapter and Batteries*

STEP 5

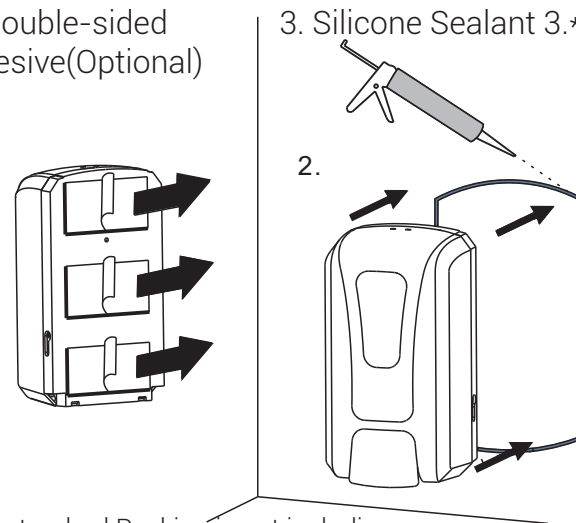


STEP 6

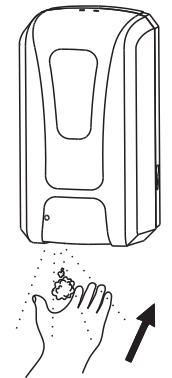
Stick the plastic sign holder onto the base

1.*Double-sided adhesive(Optional)

3. Silicone Sealant 3.*



The standard Packing is not including Double- sided adhesive and Silicone sealant*



- UV disinfection
- Dual color LED: Green is working and Stand-by; Red is Low Battery Alarm.
- Sensing Distance: 8-12cm