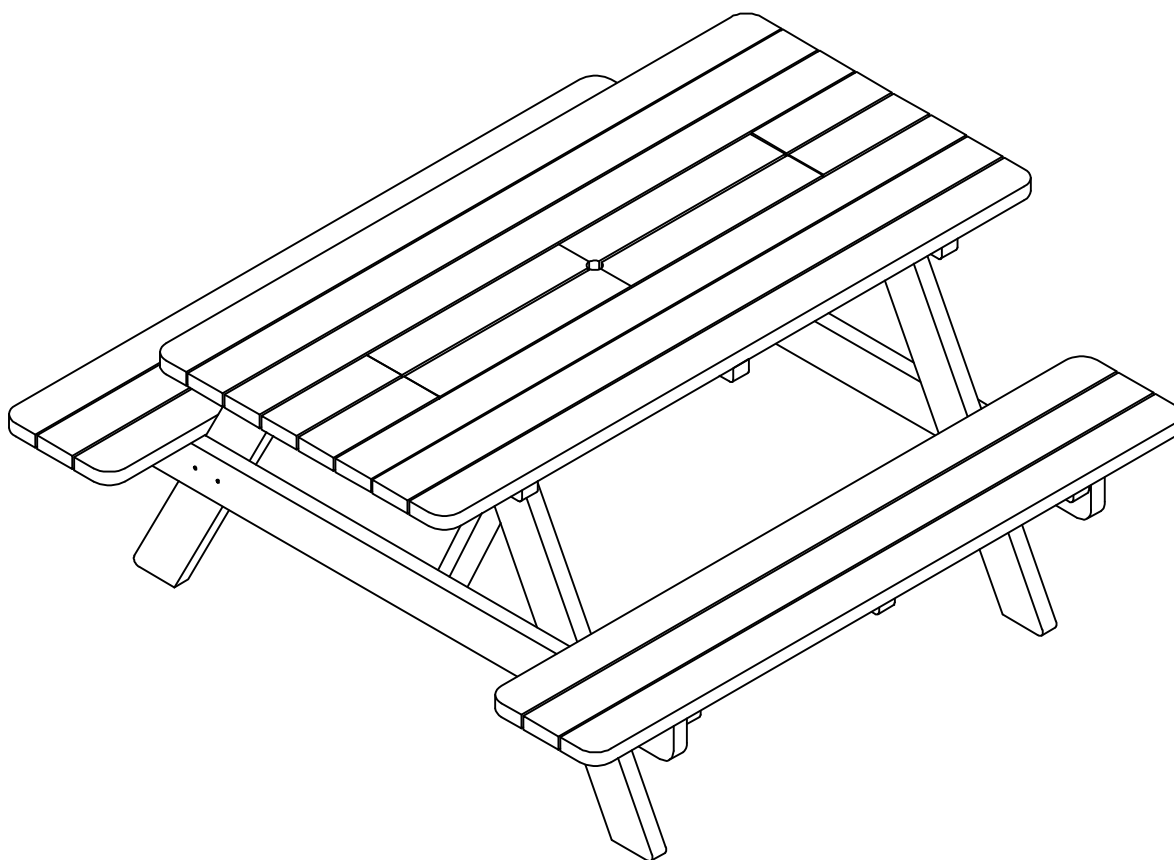


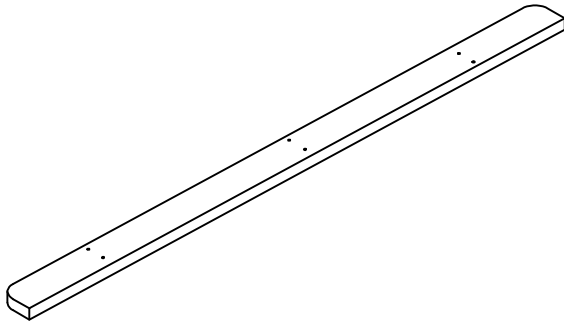
CARE INSTRUCTIONS

Thank you for choosing northbeam 5' Picnic Table Kit With Built In Cooler. With little care and maintenance, the northbeam 5' Picnic Table Kit With Built In Cooler will provide you with comfort and enjoyment for many years to come!

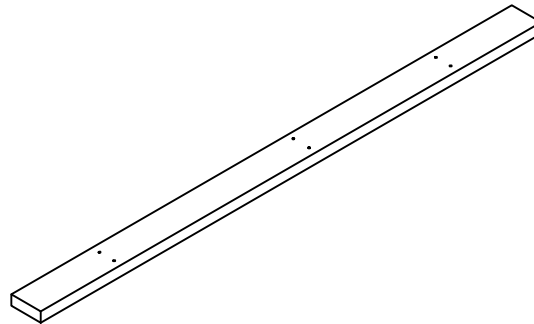
- To clean panels, use clean water on a damp cloth.
- To maintain the beauty and life expectancy of the table, it is **HIGHLY RECOMMENDED** that you treat the table with a weather proof stain once a year.
- When assembling northbeam 5' Picnic Table Kit With Built In Cooler, please handle all the panels and/or hardware with care to avoid any possibilities of damages and/or injuries.



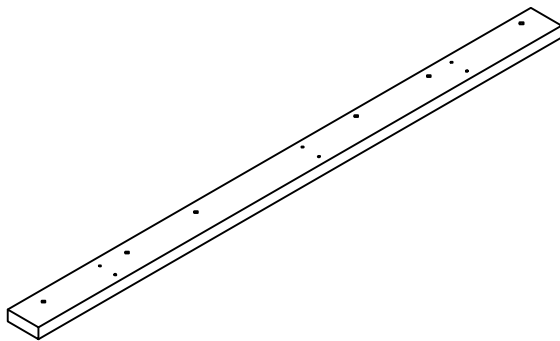
NOTE: Please read all instructions carefully before starting assembly. Also, we recommend that the unit is fully assembled on a level surface. Two people are recommended to assemble this product. **DO NOT** over torque screws and bolts.



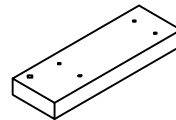
1 TABLE TOP OUTER SLAT X2PCS



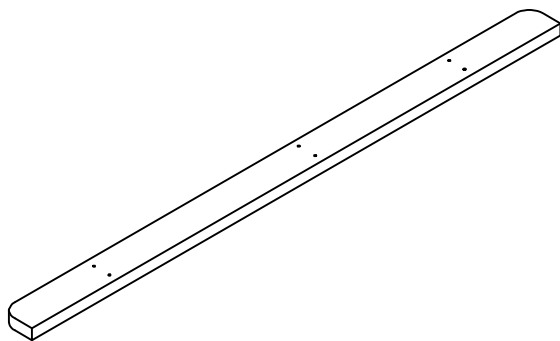
2 TABLE TOP SLAT X2PCS



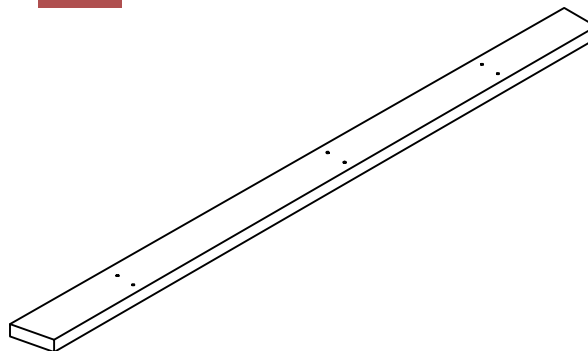
3 TABLE TOP SLAT X2PCS



4 TABLE TOP SHORT SLAT X4PCS

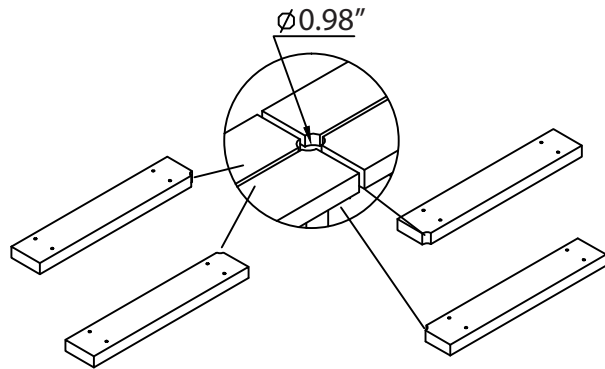
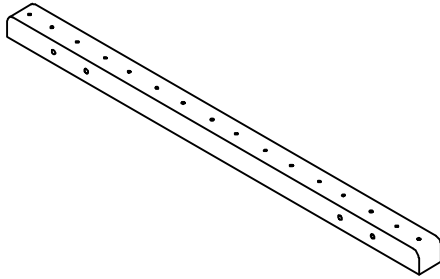


5 BENCH OUTER SLAT X4PCS



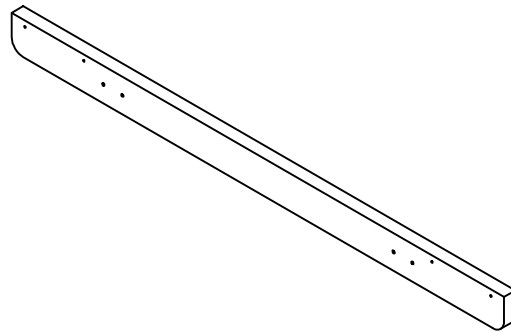
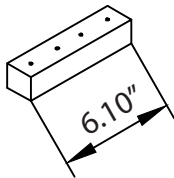
6 BENCH INNER SLAT X2PCS

NOTE: Please read all instructions carefully before starting assembly.
 Also, we recommend that the unit is fully assembled on a level surface.
 Two people are recommended to assemble this product.
 DO NOT over torque screws and bolts.



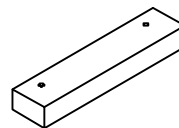
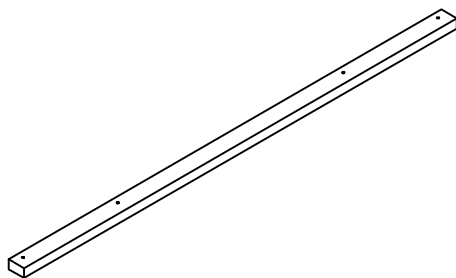
7 TABLE TOP STRETCHER X2PCS

8 TABLE TOP LID SLAT X4PCS



9 TABLE TOP LID STRETCHER X4PCS

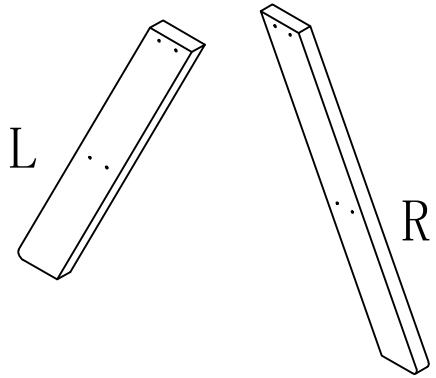
10 LEG SIDE STRETCHER X2PCS



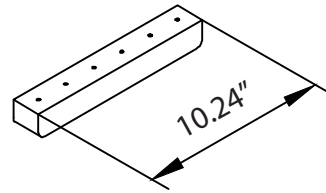
11 LONG COOLER SUPPORT X2PCS

12 SHORT COOLER SUPPORT X2PCS

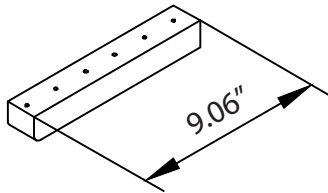
NOTE: Please read all instructions carefully before starting assembly.
 Also, we recommend that the unit is fully assembled on a level surface.
 Two people are recommended to assemble this product.
 DO NOT over torque screws and bolts.



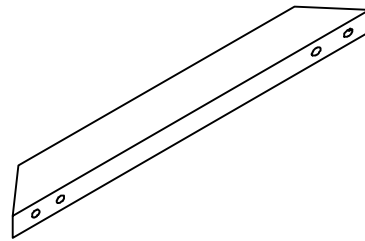
13 LEGS X4PCS



14 TABLE TOP MIDDLE STRETCHER X8PCS

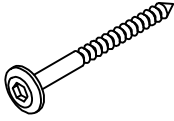




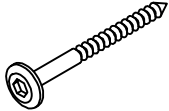
15 TABLE TOP END STRETCHER X2PCS



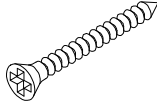




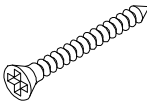
16 ANGLED LEG BRACE X2PCS



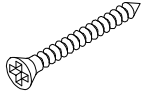
NOTE: Please read all instructions carefully before starting assembly.
 Also, we recommend that the unit is fully assembled on a level surface.
 Two people are recommended to assemble this product.
 DO NOT over torque screws and bolts.



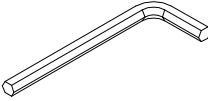
- 



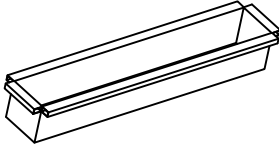
A  5x60  **8 PCS**
- 



B  5x50  **8 PCS**
- 

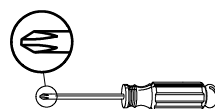
C  3.5x50  **100+2 PCS**
- 

D  3.5x45  **20 PCS**
- 

E  3.5x40  **16 PCS**
- 

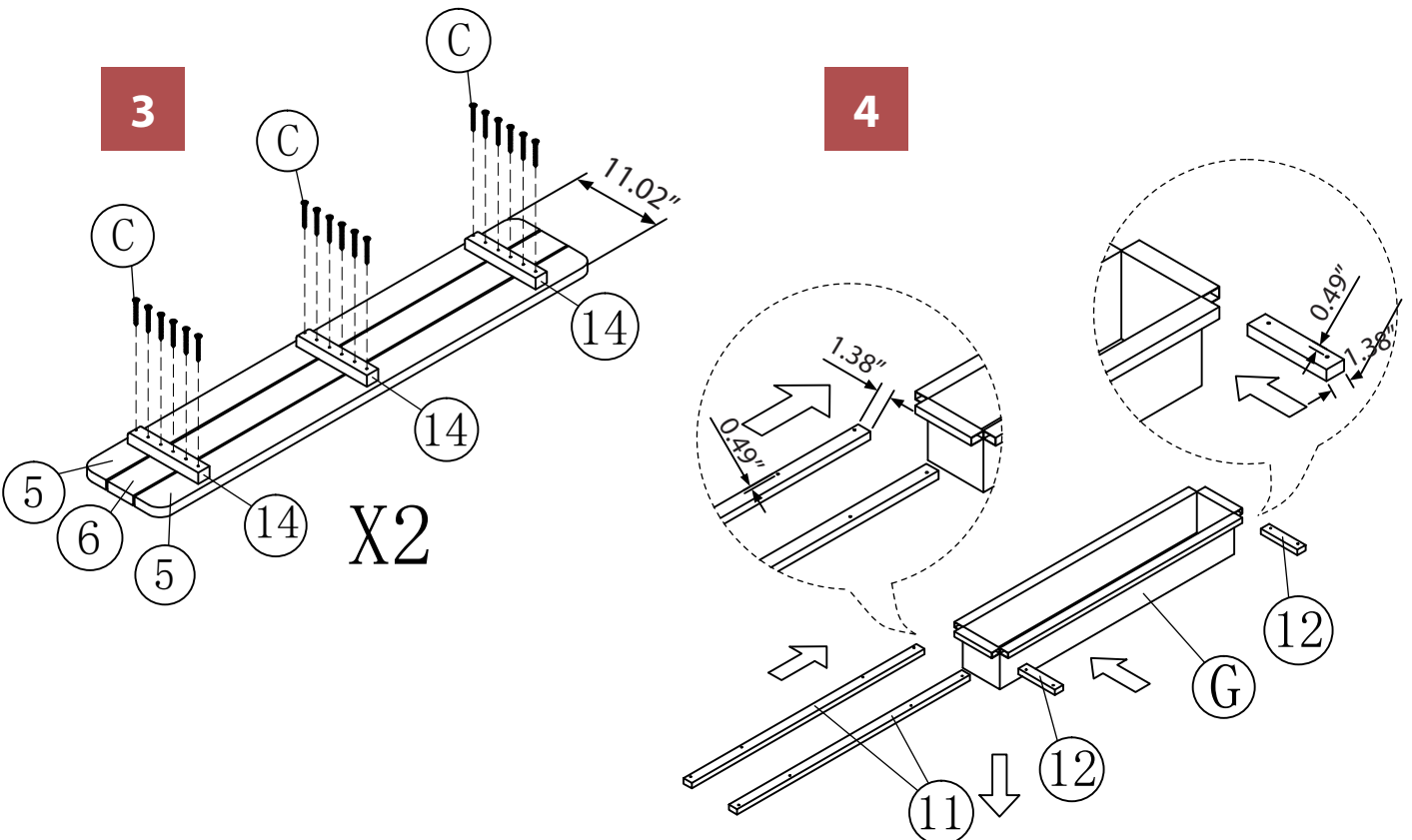
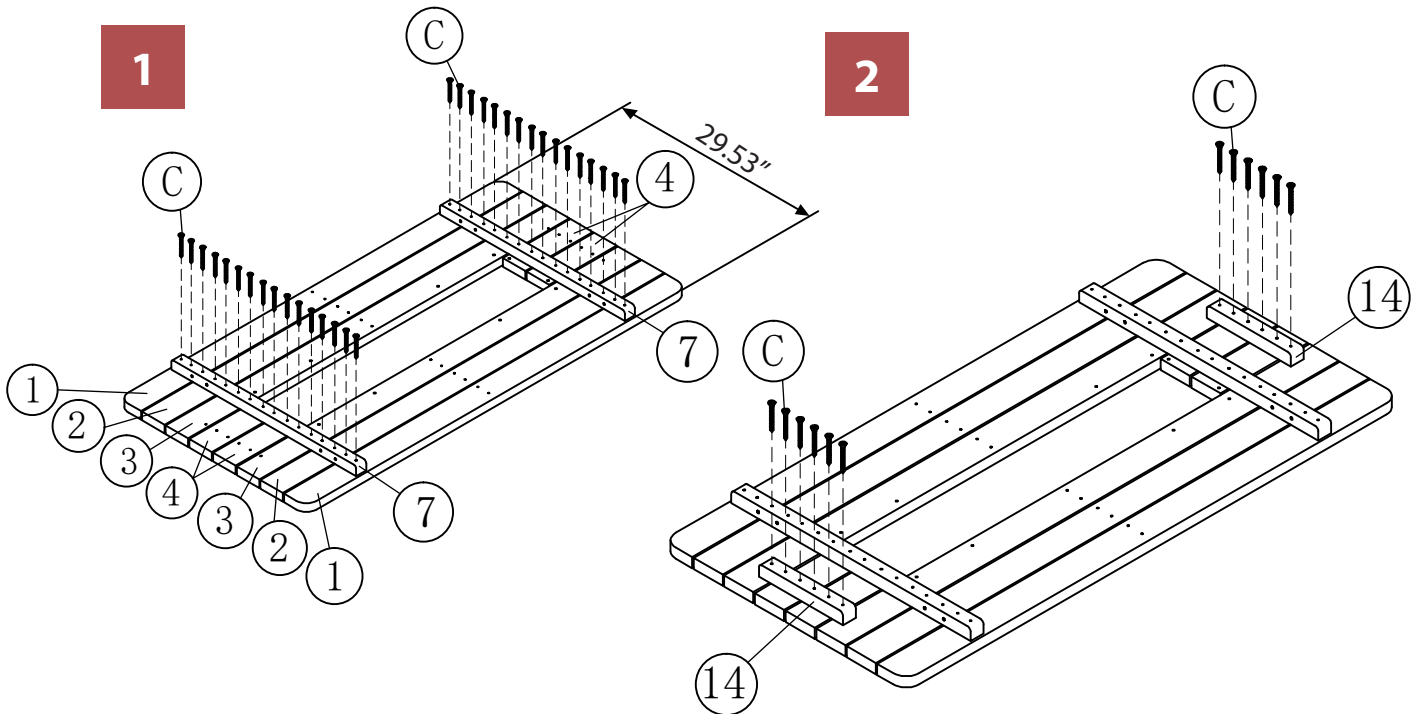
F  Allen Key  **1 PC**
- 

G  Cooler Tray  **1 PC**



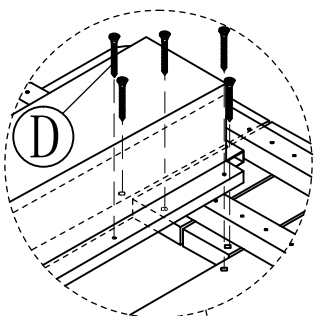
Tool Required: Phillips Screwdriver

NOTE: Please read all instructions carefully before starting assembly.
 Also, we recommend that the unit is fully assembled on a level surface.
 Two people are recommended to assemble this product.
 DO NOT over torque screws and bolts.

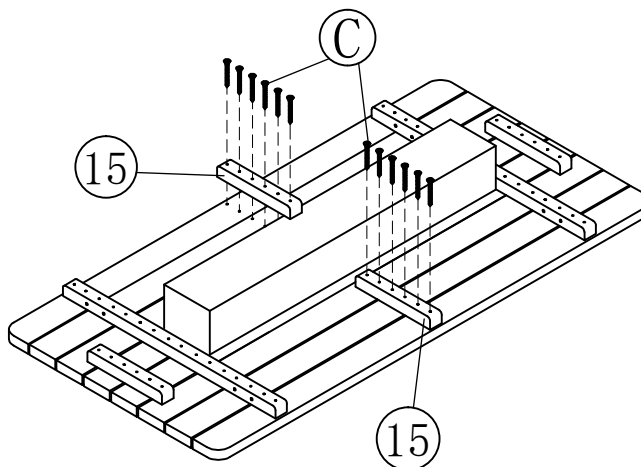


NOTE: Please read all instructions carefully before starting assembly. Also, we recommend that the unit is fully assembled on a level surface. Two people are recommended to assemble this product. DO NOT over torque screws and bolts.

5

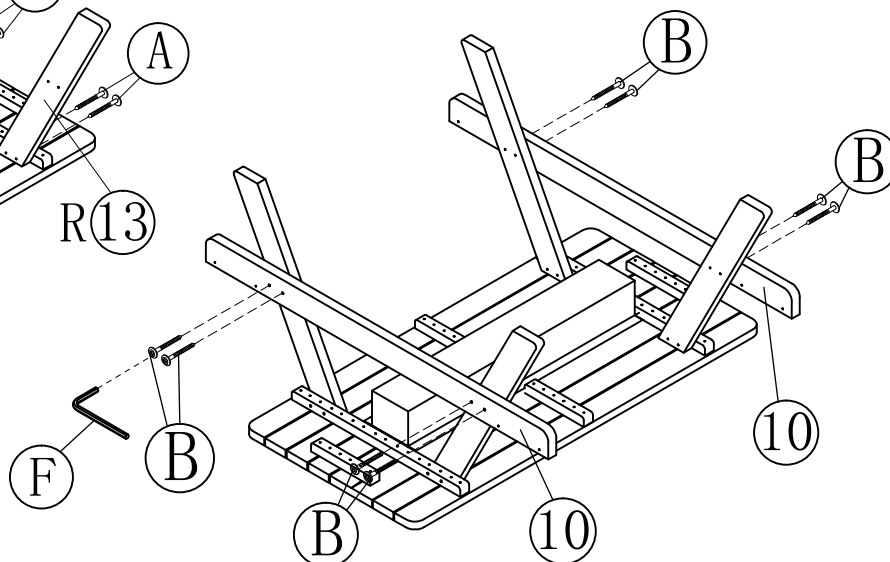
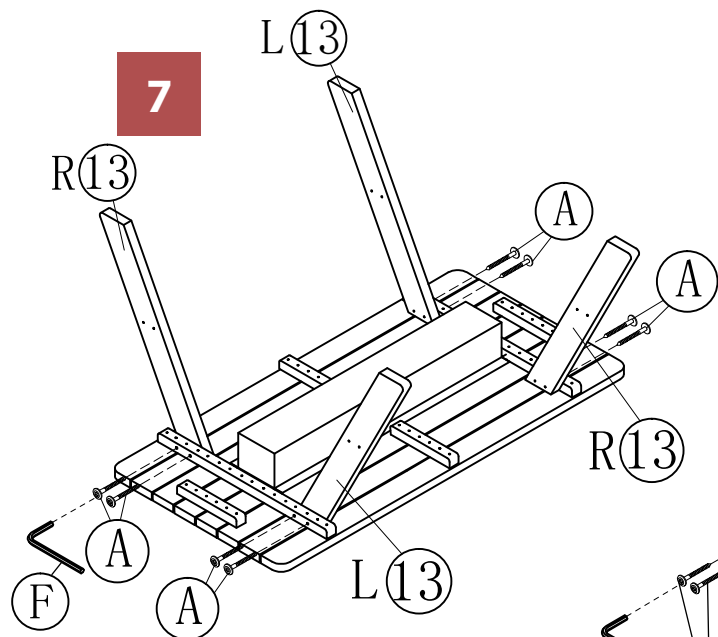


6

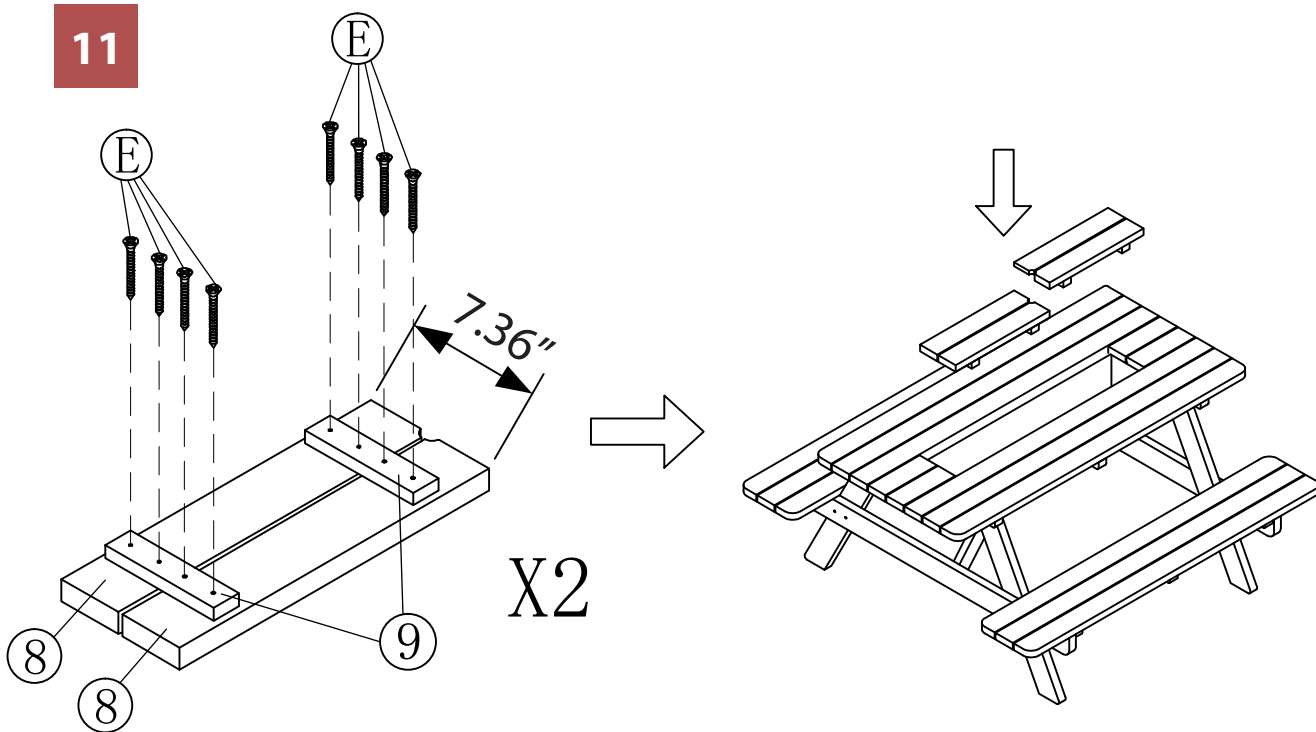
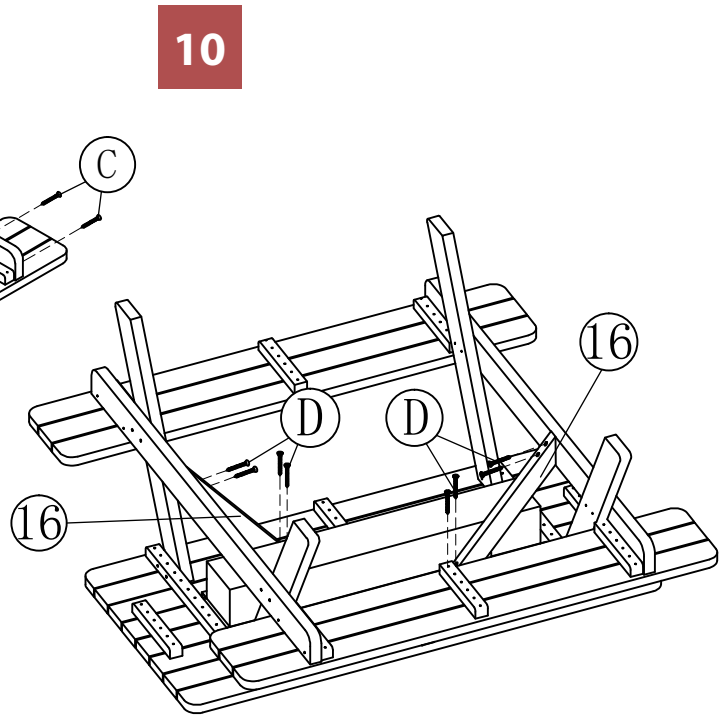
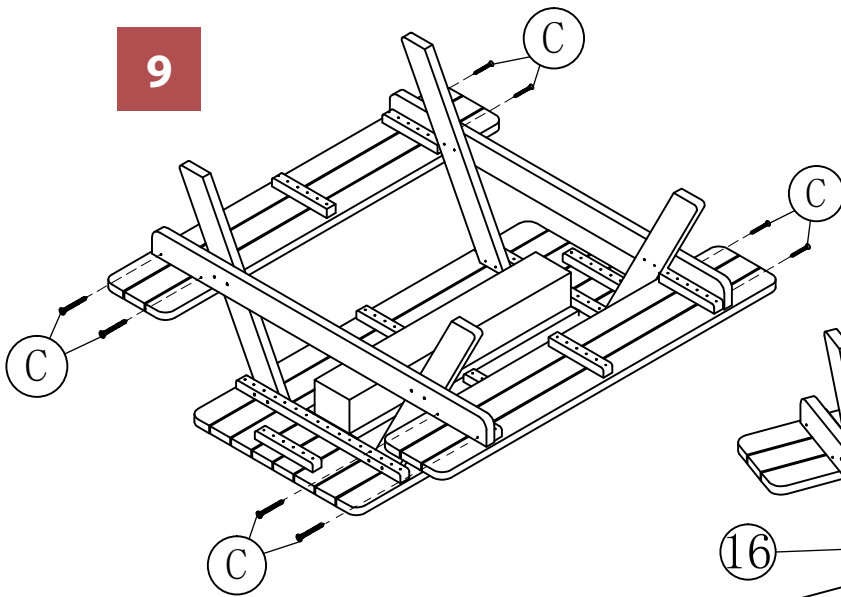


7

8



NOTE: Please read all instructions carefully before starting assembly. Also, we recommend that the unit is fully assembled on a level surface. Two people are recommended to assemble this product. DO NOT over torque screws and bolts.



NOTE: Please read all instructions carefully before starting assembly. Also, we recommend that the unit is fully assembled on a level surface. Two people are recommended to assemble this product. DO NOT over torque screws and bolts.

Please check contents before assembly. If any items are missing or damaged, do not take the unit back to the store. Call (775) 629-5029 or email: service@merryproducts.com for customer service and we will save you time by correcting any problems directly for you.

NOTE: Please read all instructions carefully before starting assembly. Also, we recommend that the unit is fully assembled on a level surface. Two people are recommended to assemble this product. DO NOT over torque screws and bolts.