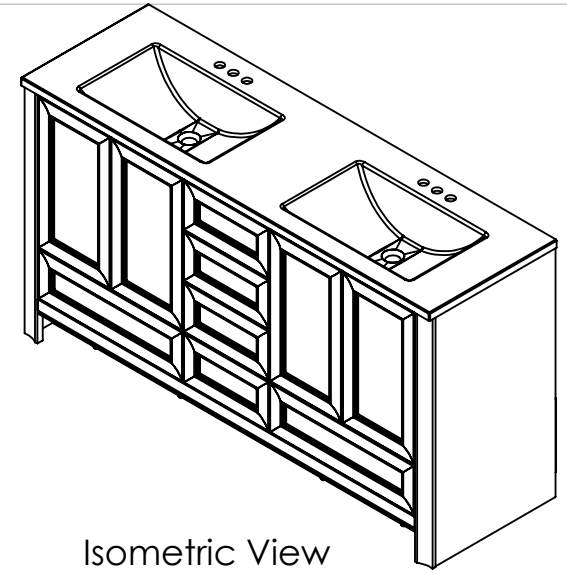
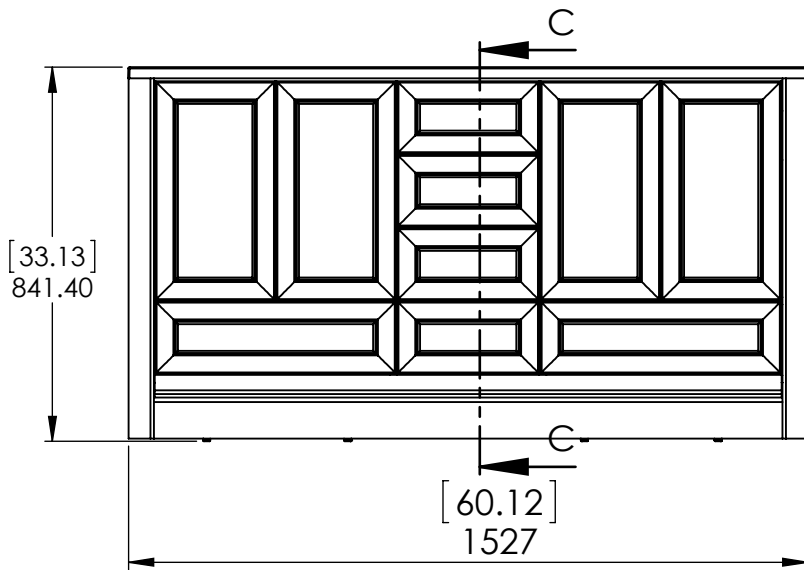


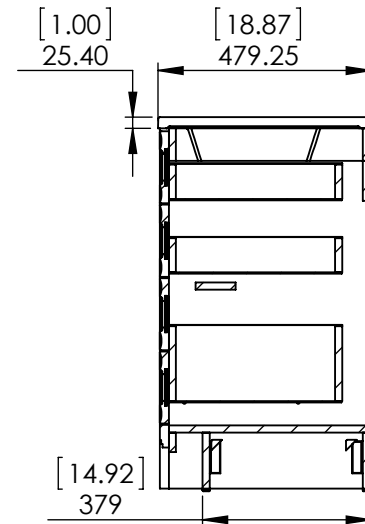
Top View



Isometric View



Front View



SECTION C-C
SCALE 1 : 17
Side View

ITEM:	CD60P2-ST	REV	A
	CD60P2-WH		

NAME: **Candlesby 60in - Sterling/White**



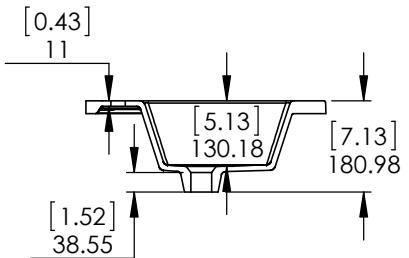
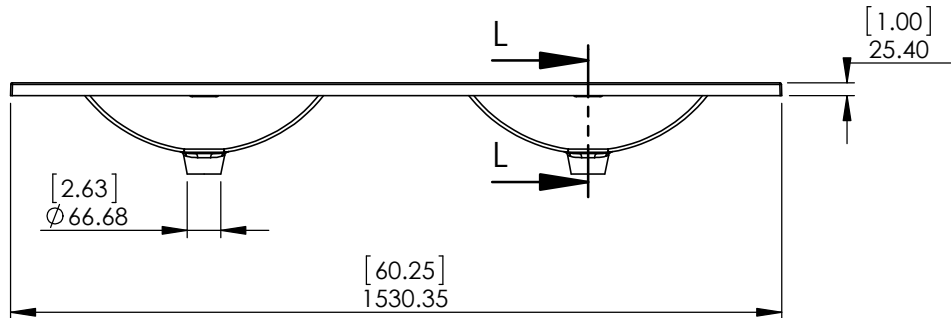
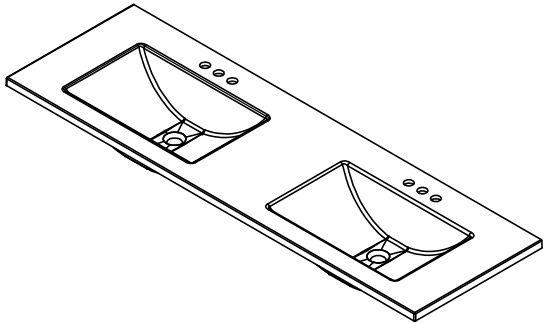
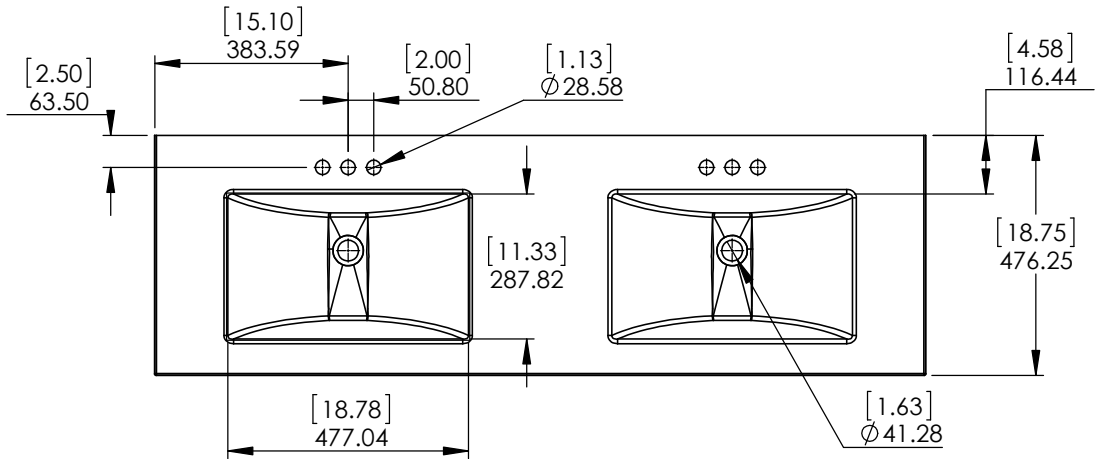
DRAWING	ARB	06/21/18
REVIEW	ING	06/21/18
APPROVED	R&D	06/21/18

MATERIAL: **German beech 4/4 Laminated Particle Board**


SCALE:1:17 MODEL: **Candlesby 60in**

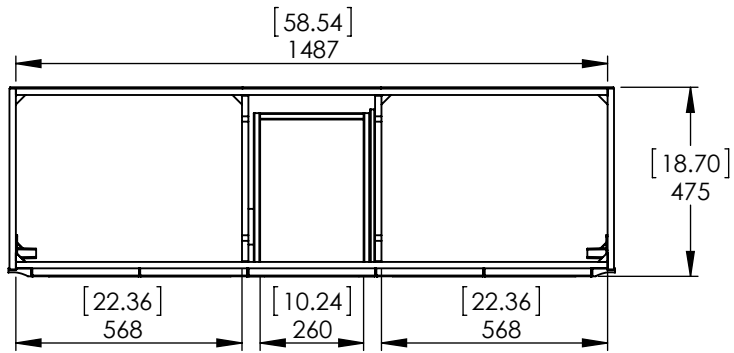
ID	Description	Technology	Status
595550	Vtop Alpine 60.25x18.75 4in White	Solid Colors	Approved for production

Rev #	Approved by	Change
0	O. Razo	Released

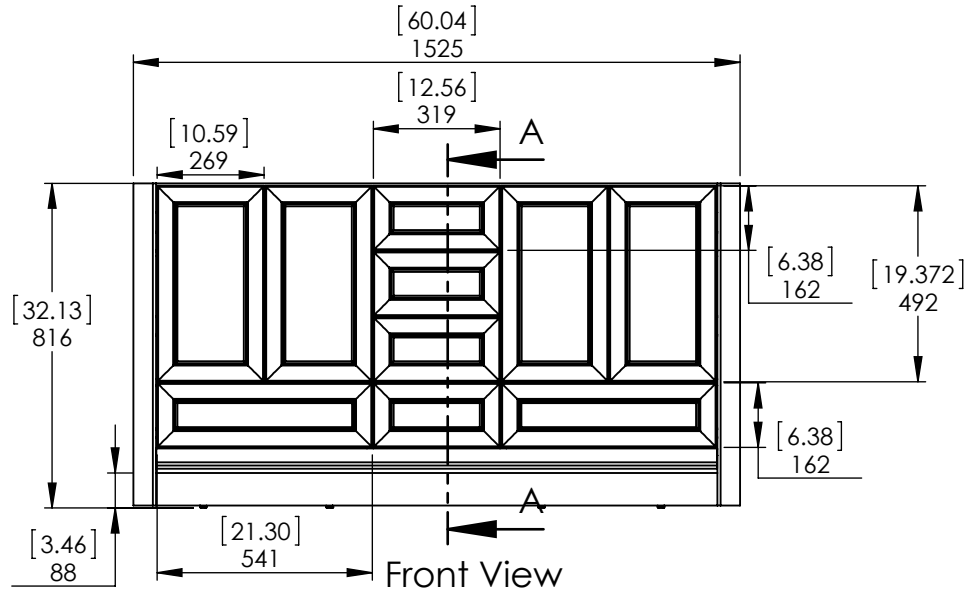


NOTE: MAX. WARPAGE
TOLERANCE 1/8"

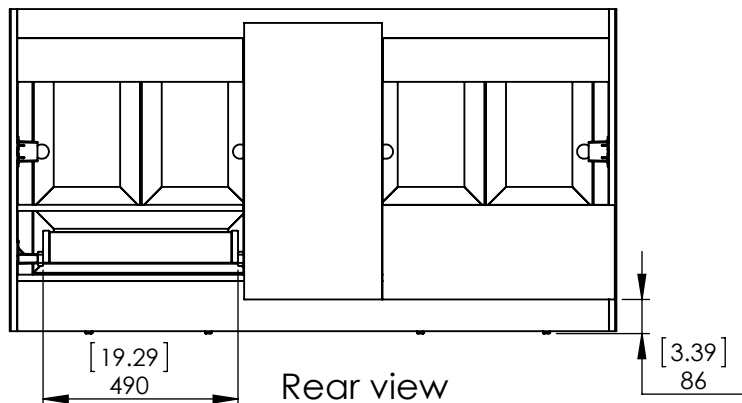
<p>PROPRIETARY AND CONFIDENTIAL</p> <p>THE INFORMATION CONTAINED IN THIS DRAWING IS THE SOLE PROPERTY OF WOODCRAFTERS. ANY REPRODUCTION IN PART OR AS A WHOLE WITHOUT THE WRITTEN PERMISSION OF WOODCRAFTERS IS PROHIBITED.</p>	UNLESS OTHERWISE SPECIFIED	NAME	DATE		
	DIMENSIONS ARE IN MM. AND (INCHES)	DRAWN	O. Razo		2/27/17
	TOLERANCES ARE	CHECKED	R. Rubio		2/27/17
	+ 0.125 [3.175] - 0.125 [-3.175]	ENG APPR.	R. Rubio		2/27/17
	SCALE:1:15	MFG APPR.	C. Leal		2/27/17
SIZE	DWG. NO.	A Alpine 60.25 x 18.75 White 4 in		SHEET 1 OF 1	
				REV: 0	



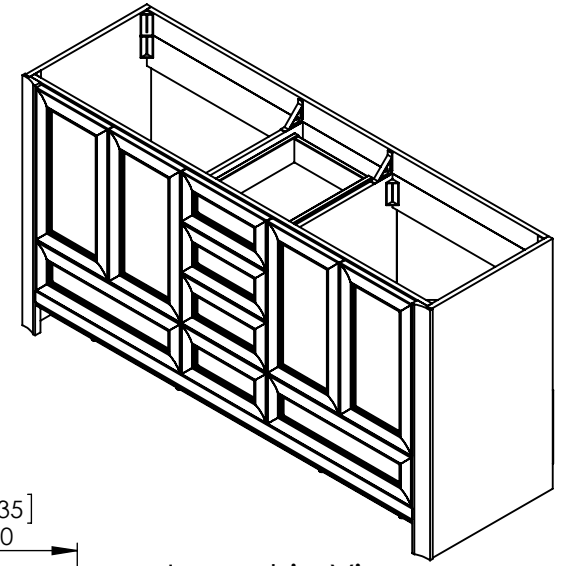
Top View



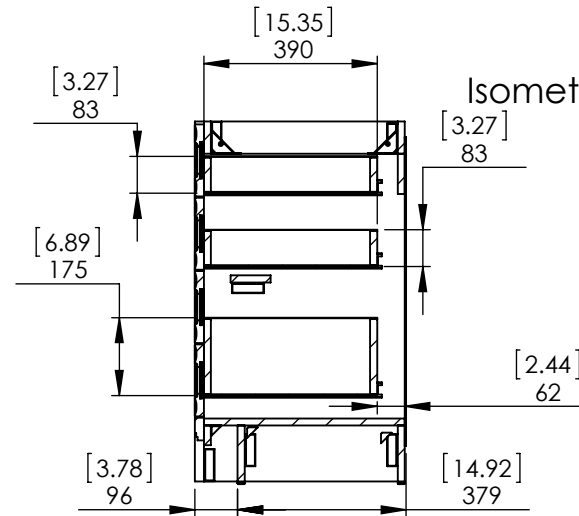
Front View



Rear view



Isometric View



SECTION A-A
SCALE 1 : 17

Side View

ITEM:	CD60P2-ST	REV	A
	CD60P2-WH		
NAME:	Candlesby 60in - Sterling/White		
MATERIAL:	German beech 4/4 Laminated Particle Board		
DRAWING	AEP	07/19/19	MATERIAL: German beech 4/4 Laminated Particle Board
REVIEW	ING	07/19/19	
APPROVED	R&D	07/19/19	
SCALE:1:17	MODEL:	Candlesby 60in	

