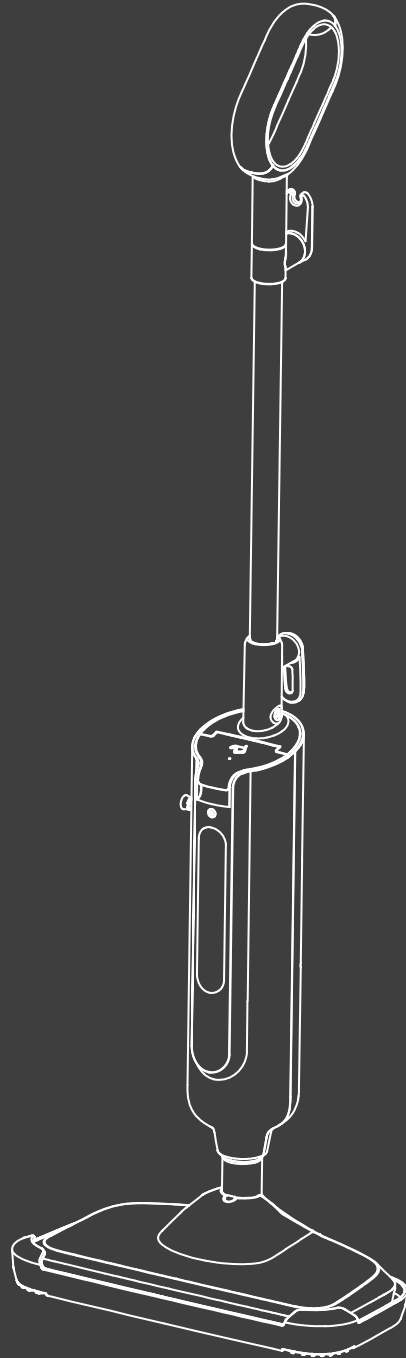


# Steam Mop

## Instruction Manual

TB-ZQ01-WTGY

TB-ZQ01-WTGN



✉ HJ-Customer-Service@outlook.com

☎ (909)637-7665 | (909)637-7593

EST 9:00AM--17:00PM

# IMPORTANT SAFETY INSTRUCTIONS

---

## READ ALL INSTRUCTIONS BEFORE USING YOUR STEAM MOP

When using an electrical appliance, basic precautions should be observed, including the following:

Always connect to a polarized outlet(left slot is wider than right).

Unplug from outlet when not in use and before conducting maintenance.

# SAVE THESE INSTRUCTIONS FOR FUTURE USE

---

This model is for household use only. Commercial use of this unit voids the manufacturer's warranty.

# IMPORTANT SAFETY INSTRUCTIONS

## FOR HOUSEHOLD USE ONLY

---



### WARNING

To reduce the risk of injury, fire, electric shock, and property damage resulting from improper use of the appliance, carefully observe the following instructions, This unit contains electrical connections and moving parts that potentially present risk to the user.

**DANGER OF SCALDING: THE STEAM EMITTED FROM THE STEAM MOP IS VERY HOT AND MAY CAUSE SCALDING. PLEASE USE CAUTION WHEN USING THE STEAM MOP.**

1. Keep Steam Mop away from children.
2. When in use, **NEVER** turn the Steam Mop over on its side or direct steam toward people, pets, or plants.
3. Use the system **ONLY** for its intended purpose.
4. **DO NOT** use for space-heating.
5. **DO NOT** use outdoors.
6. **DO NOT** leave the Steam Mop unattended when plugged in. **ALWAYS** unplug the power cord from the electrical outlet when not in use and before servicing.
7. **DO NOT** allow the Steam Mop to be used by children. Close attention is necessary when used near children, pets, or plants.
8. Use **ONLY** as described in this instruction manual.

- 
9. Use **ONLY** manufacturer's recommended attachments -- use of attachments not provided or sold by may cause fire, electric shock or injury.
  10. To protect against a risk of electric shock, **DO NOT** immerse the Steam Mop in water or any other liquid.
  11. **DO NOT** handle the plug or Steam Mop with wet hands or operate it without wearing shoes.
  12. **DO NOT** pull or carry by cord, use cord as a handle, close a door on cord. or pull cord around sharp edges or corners. **DO NOT** run Steam Mop over cord. Keep cord away from heated surfaces.
  13. **DO NOT** unplug by pulling on power cord. To unplug, grasp the plug. not the power cord. **DO NOT** use extension cords or outlets with inadequate current-carrying capacity.
  14. **DO NOT** put any objects into the steam nozzle openings. Discontinue use if the steam nozzle is blocked.
  15. **DO NOT** put hands or feet under the Steam Mop. It gets very hot.
  16. Use **ONLY** on flat, horizontal surfaces. **DO NOT** use on walls, counters, or windows.
  17. **DO NOT** use on leather, wax-polished furniture, synthetic fabrics, velvet, or other delicate, steam-sensitive materials.
  18. **DO NOT** add cleaning solutions, vinegar, scented perfumes, oils, or any other chemicals to the water used in the Steam Mop as this may damage it or make it unsafe for use. If you live in a hard-water area, we recommend using distilled water in your Steam Mop.
  19. **NEVER** store or leave Steam Mop in one spot with Dirt Grip" pad attached, as this may damage surfaces.
  20. Before removing Dirt Grip pad, unplug the Steam Mop and allow it to cool.
  21. Unplug the Steam Mop before cleaning. Use a dry or damp cloth to clean the exterior. **DO NOT** pour water on Steam Mop, or use alcohol, benzene, or paint thinner to clean.
  22. Extreme caution should be exercised when using the Steam Mop to clean stairs.
  23. **NEVER** use Steam Mop without the Dirt Grip pad attached.
  24. Keep your work area well lit.
  25. Store Steam Mop indoors in a cool, dry place.
  26. To avoid circuit overload, **DO NOT** operate another appliance on the same socket (circuit) as the Steam Mop.
  27. To avoid scalding injuries, **ALWAYS** unplug the Steam Mop and allow it to cool before removing or changing mop heads, accessories, or Dirt Grip pads.
  28. Your Steam Mop is designed to clean hard floor surfaces that will withstand high heat. **DO NOT** use on unsealed wood or unglazed ceramic floors. On surfaces that have been treated with wax and on some no-wax floors. the sheen may be removed by the heat and steam action. We recommend testing an isolated area of the surface to be cleaned before proceeding. We also recommend that you check the use and care instructions from the floor manufacturer.

# **THIS APPLIANCE HAS A POLARIZED PLUG**

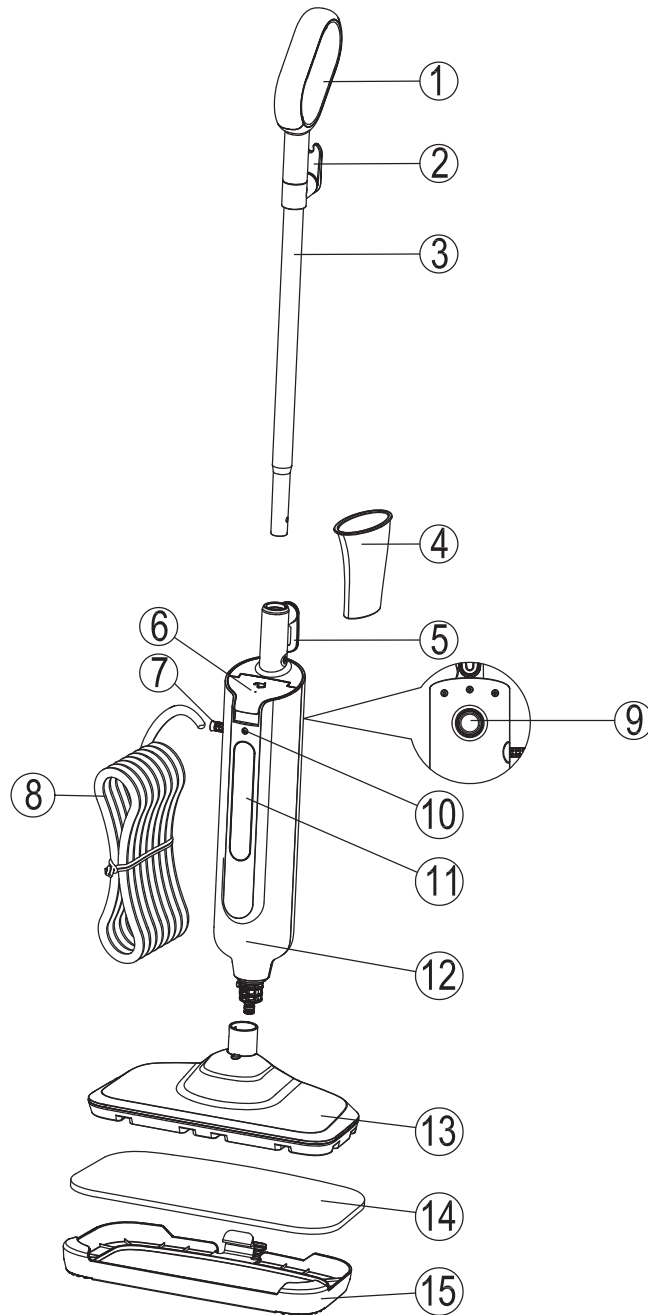
---

To reduce the risk of electric shock, this appliance has a polarized plug(one blade is wider than the other). This plug will fit in a polarized outlet only one way. If the plug does not fit fully in the qualified electrician to install a proper outlet. Do not change the plug in any way.

**NOTE: When assembling your Steam Mop there may be a little water in or around the water tank. This is because we thoroughly test all of our Steam Mops before you buy them, so you get a quality Steam Mop ! !**

# PRODUCT VIEW

---



① Handle

② Upper Wire Hook

③ Mental Tube

④ Water Cup

⑤ Lower Wire Hook

⑥ Water Inlet

⑦ Power Cord Interface

⑧ Power Cord

⑨ Power Switch

⑩ Steam Indicator

⑪ Water Tank

⑫ Steam Mop Body

⑬ Mop Head

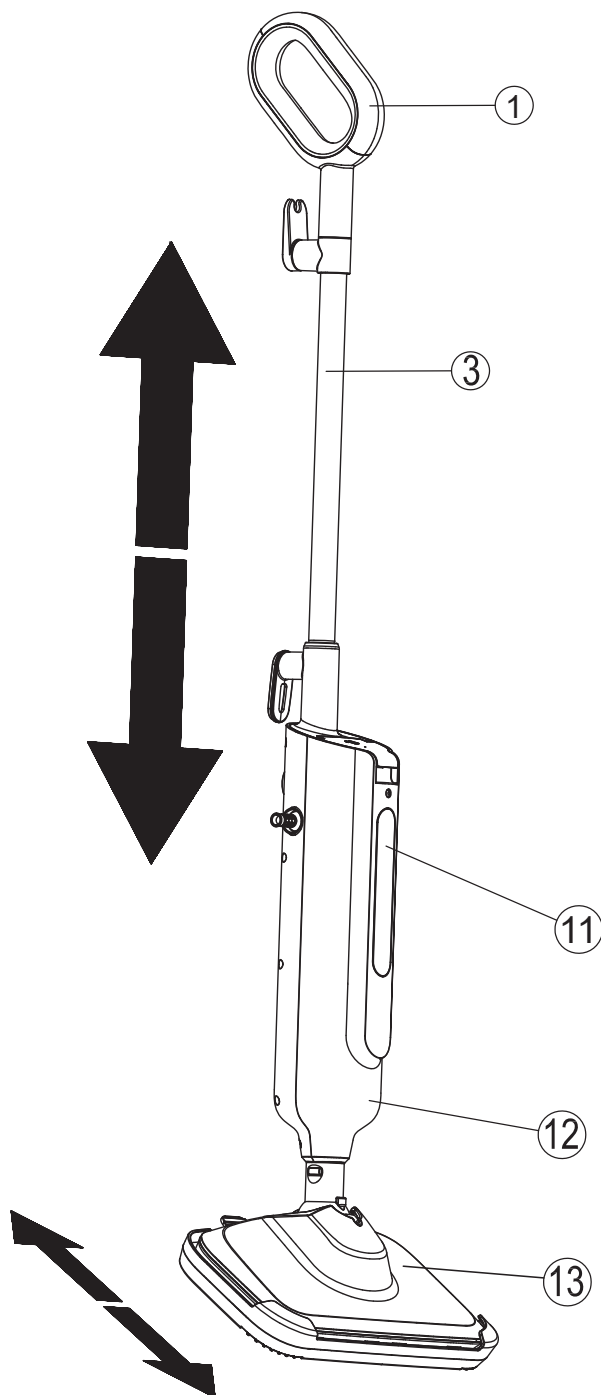
⑭ Mop Pad

⑮ Dirt Grip™ Pad

# ASSEMBLY

---

Your steam mop assembles quickly and easily. It is packaged with the following items:



1. Attach **Steam Mop Body (12)** to **mop head (13)** by snapping it into place.
2. Install the **Handle (1)** into the **Steam Mop Body (12)** until it lock into right place.
3. The **water tank (11)** is inside the **Steam Mop Body (12)**, it does not need to be installed.
4. Steam mop assembly is now complete.

# SPECIAL FEATURES

---

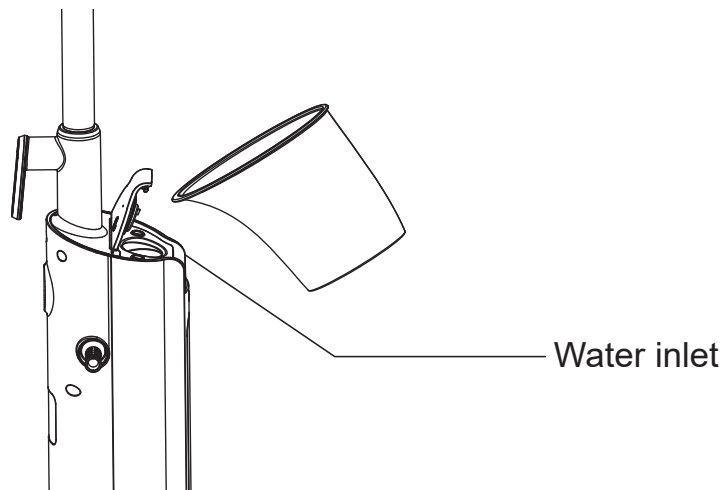
<b>Preheating Time</b>	Under 30s	<b>Item Weight</b>	2.3KG/5.07LBS
<b>Water Tank</b>	Max: 330ml Non removable	<b>Power</b>	1300W
<b>Power Cord</b>	5M	<b>Input</b>	50Hz
<b>Voltage</b>	120V	<b>Steam Control</b>	None
<b>Mop Pads</b>	Microfiber Pads	<b>Mop Head</b>	Swivel Head
<b>Carpet Gilder</b>	√	<b>Dry-heating Protection</b>	√

# OPERATIONS

---

## Water tank

Tank water inlet is located on the upper part of the main body. Distilled or demineralize water is recommended in place of tap water.

**NOTE:**

Turn off the steam mop when no water in the tank.

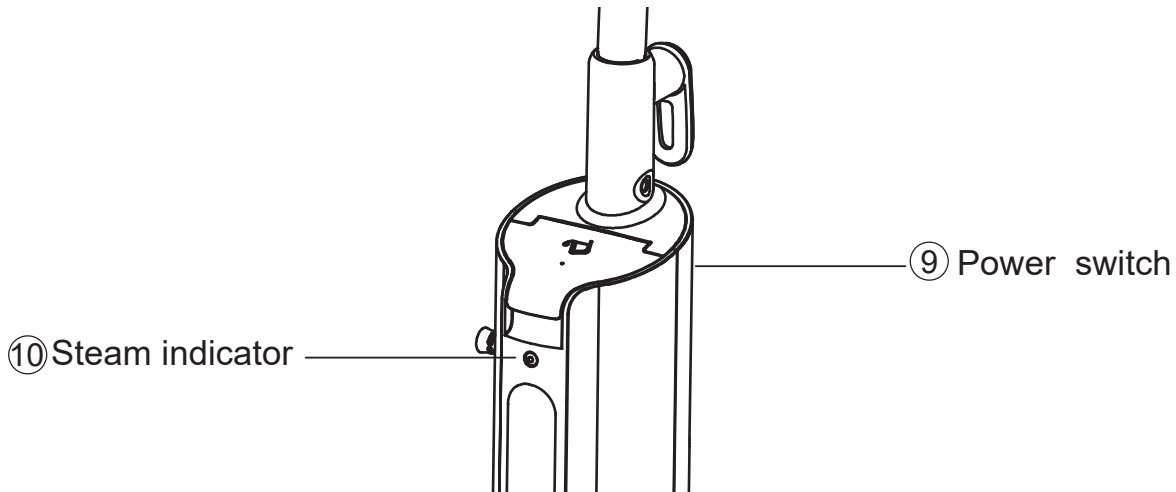
Fill the water tank with the water cup.

Do not use chemicals in the water tank of your steam mop.

---

## Steam Control

Steam control indicator light will stop blinking when steam mop is ready to use.



### **NOTE:**

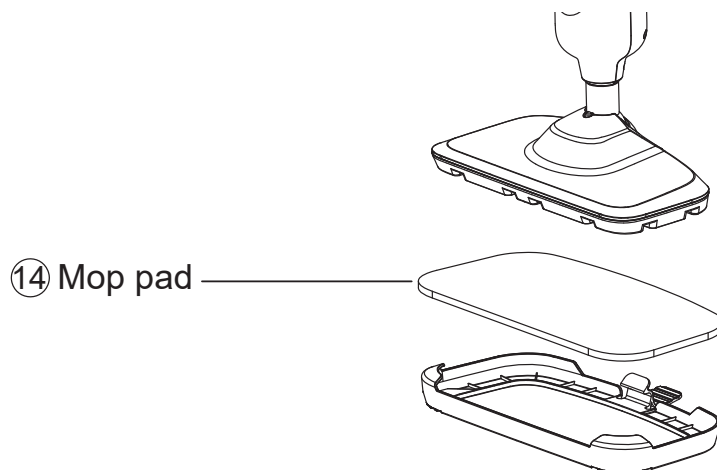
1. Turn on the power switch ,the indicator light flashes, after 30 seconds, the indicator light is on, the machine starts to work.
2. When the red light is steady on, it proves that there is no water in the tank. You need to add water and then re-operate the power switch.

---

## Special Features

### Microfiber Mop Pads

Reusable microfiber mop pads are machine washable and safe for virtually all hard floor surfaces. Your steam mop may have come with two different pads. The white microfiber pad is best for everyday use on delicate flooring like sealed hardwoods and laminate. The gray and white striped pad can be used for scrubbing heavily soiled floors and cleaning tougher messes.





---

## Before you clean

Thoroughly sweep or vacuum floor prior to cleaning with the steam mop.

---

## Getting ready

The mop pad may have already come attached to the mop head.

1. Set mop head in mop pad, making sure quick-grip release tab is located on the back.
2. Open the water cap and then fill the water tank with water.
3. Quickly release the power cord and insert it into the 230volt power socket.
4. When the machine began is working normally,the indicator light is on.

### **NOTE:**

Upon first use of the steam mop or first use after refilling the water tank, the pump may make a “knocking” sound. This is normal and should only last a few seconds.

---

## Cleaning hard floors

Your steam mop is designed to clean hard flooring such as ceramic tile, vinyl, laminate, marble, stone and sealed hard wood floors. Use of your steam mop on waxed or some unwaxed floors may result in a diminished glossiness. The steam mop is not for inconspicuous area and check the care instructions from your flooring manufacturer.

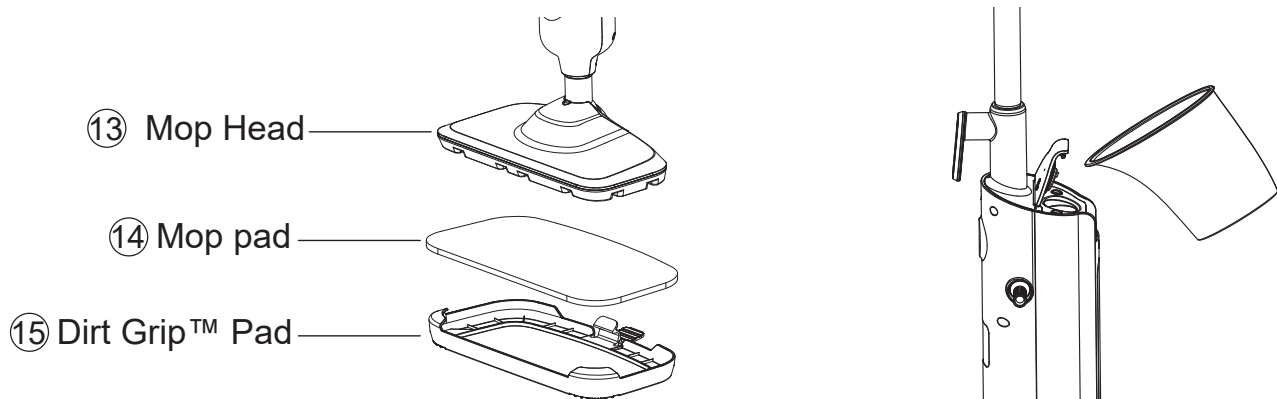
### **NOTE:**

Check if there is enough water in the tank before use.

1. Plug the unit in and wait 30 seconds for it to heat up.Begin cleaning by slowly passing the unit over the floor surface.
2. To turn off the steam mop, need turn off the power switch.
3. When the steam mop mop stops emitting steam, unplug the unit. Simply refill the water tank and continue steaming.

### **NOTE:**

Be sure to disinfect the floor, use a microfiber mat and wipe it back and forth at least three times with continuous steam. For beat results, remove the liner and clean it after.



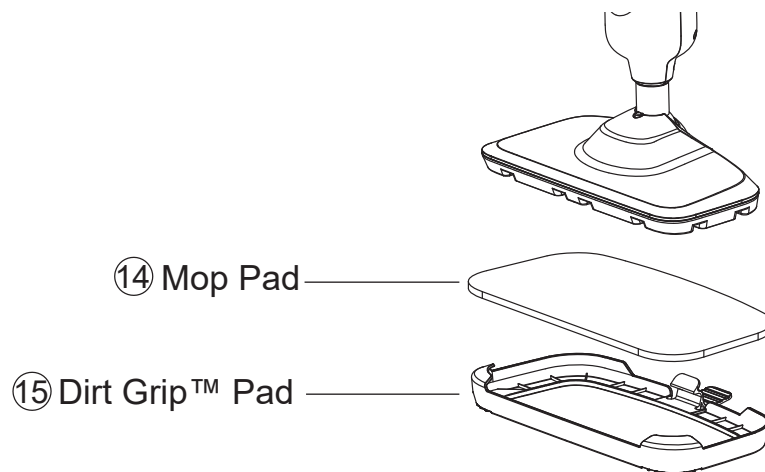
---

## Carpet Gilder

This accessory is used to attach the steam mop to allow the steam mop to slide over the carpet, thus cleaning the carpet.

### NOTE:

1. Please make sure that carpet gilder has been buckled on the floor head. If it is not in the correct position, it will cause carpet gilder to fall out during the use of the steam mop.
2. Move the steam mop in a continuous motion until you are finished.
3. DO NOT leave the mop in a stationary position.



---

## MAINTENANCE & CARE

1. Unplug power cord from outlet.
2. Carefully remove the mop pad from the mop head. The mop pad and lower assembly may be hot.
3. Any water remaining in the water tank should be emptied prior to machine storage.
4. Mop pad can be machine washed in warm water. Use only liquid detergents. Do not use fabric softeners or bleach for best results, air dry.
5. Wrap power cord around hook on back of the steam mop.
6. Wipe all surfaces of the steam mop with a soft cloth. Store upright in a protected, dry area.

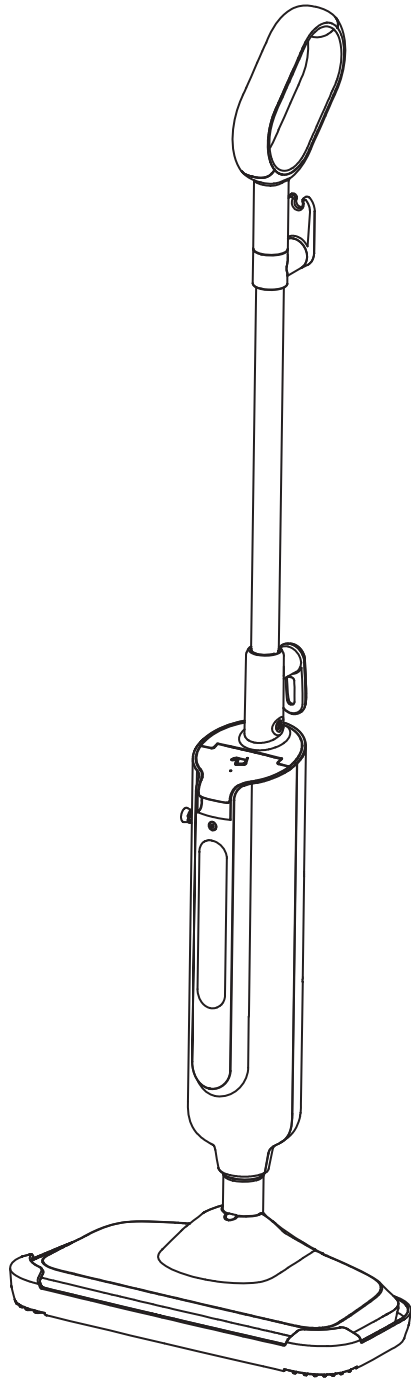
# TROUBLESHOOTING

---

## WARNING

To reduce the risk of electric shock, turn power switch off and disconnect polarized plug from electrical outlet before performing maintenance or troubleshooting checks.

Problem	Possible	Remedies
Reduced steam or no steam	Water tank empty	Fill tank
Water leakage	Loosen rubber plug	Turn off the cleaner and pull out the water tank. Plug the rubber plug tightly.
Scale deposit	Use tap water or other chemicals	Use demineralised water.
		Remove limescale in the water tank at least once a month.
Hard to use on the carpet	Carpet glider not buckled	Make sure the carpet glider has been buckled on the floor head.
Water tank rusts	Didn't empty the tank	Any water remaining in the water tank should be emptied prior to machine storage.
Mop getting too wet	leaving the mop in a stationary position	Move the steam mop in a continuous motion until you are finished.
Stop working	Improper operation or product problem	Contact After-sales Service at Email: HJ-Customer-Service@outlook.com



## **Technical Support**

(909)637-7665 | (909)637-7593

## **Other Info**

HJ-Customer-Service@outlook.com

Thank you for choosing this product. We strive to provide you with the best quality products and services in the industry. Should you have any issues, please don't hesitate to contact us.