

## Mylen Spiral Stairs Comply with National Building Codes

Mylen Code Stair Packages will address and meet compliancy with each of the requirements that are listed below. This information will apply to the BOCA Code, UBC Code, IRC, and IFC codes.

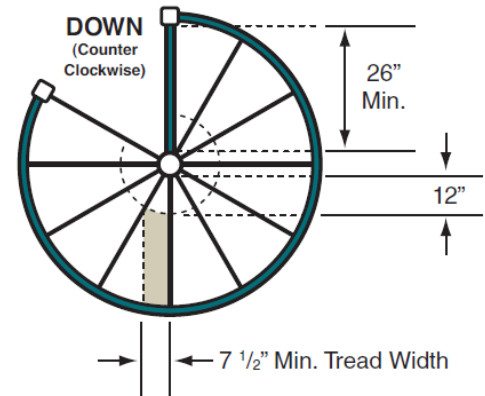
1. Minimum clear walking path of 26 inches. A 5-foot diameter or larger stair will provide this width.
2. Each tread will have a minimum of 7 1/2-inch tread depth at 12 inches from the narrow edge.
3. All Treads will be identical.
4. The tread rise shall not be more than 9 1/2 inches high.
5. Minimum headroom of 6 foot 6 inches shall be provided, measuring plumb from the edge of the platform down to the tread below
6. Landing width shall not be less than the required width of the stairway. Minimum spiral stair tread width is 26 inches.
7. Stair balusters shall be spaced so a 4-inch object cannot pass between. The IRC Code permits a 4 3/8-inch space.
8. Balcony / well enclosure guardrail balusters shall be spaced so a 4-inch object cannot pass between.
9. Balcony / well enclosure guardrail height shall not be less than 36 inches. *(If your state or municipality requires 42-inch tall guardrails, the sales order must reflect this detail).*
10. The stairway shall be equipped with one handrail on the wide edge of the tread.
11. Handrail height, measured vertically from the tread nosing, shall not be less than 34 inches and not more than 38 inches.
12. Handrail grip size. Type I-Handrails with a circular cross section shall have an outside diameter of at least 1 1/4 inches and not greater than 2 inches. (Mylen's standard circular handrail is 1 1/2 inch diameter. This will address the UBC minimum cross section of 1 1/2 inch diameter.)
13. A 300 lb. concentrated load is required. On request, our sales department can provide structural calculations for your job specifications.

\*Mylen's standard code package does not address the open space between each tread (open rise stair). If your local building code requires no more than 4" space in this area, please call (855) 821-1689 to have riser bars included in your order or speak with our customer support team for other options.

**R311.5.8.1 Spiral Stairs.** Spiral stairways are permitted, provided the minimum width shall be 26 inches (660 mm) with each tread having a 7 1/2 inch (190 mm) minimum tread depth at 12 inches from the narrower edge. All treads shall be identical, and the rise shall be no more than 9 1/2 inches (241 mm). A minimum headroom of 6 feet, 6 inches (1982 mm) shall be provided (See above diagram).

Visit [mylenstairs.com](http://mylenstairs.com) for more information or call (855) 821-1689 to speak with a customer or product support member.

## Visual Interpretation of IRC Code



## Collection Overview

### Interior Installations

Raw steel column with primed steel treads and platform, available with vinyl or aluminum handrails and suitable for corner or loft installations. Optional components include Red Oak wood tread covers, Anti-slip traction tread covers and additional platform rail. Adjustable rise from 8 ½" to 9 ½" between treads.

### Exterior Installations

Galvanized steel column, treads and platform, available with vinyl or aluminum handrails and suitable for exterior and interior corner or loft installations. Optional components include additional platform rail. Adjustable rise from 8 ½" to 9 ½" between treads.

Mylen Stairs stands behind our product with a five-year Warranty on everything we sell and a lifetime warranty on metal fabrication (see below for details). You can trust us if you have a problem, we will fix it for you, that's the bottom line. If you have any questions please e-mail us at [info@mylenstairs.com](mailto:info@mylenstairs.com) or call us at (855) 821-1689. More detailed warranty information is available on our Warranty Disclaimer document or on our [www.mylenstairs.com](http://www.mylenstairs.com) web site.

## Color and Finish Options

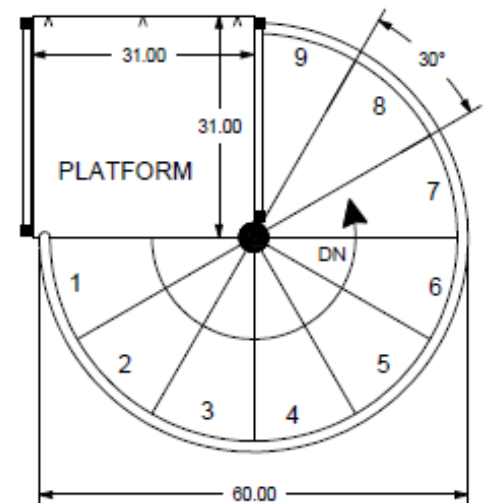
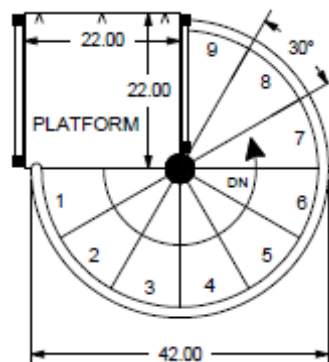
	Interior	Exterior
<b>Column</b>	Raw Steel	Galvanized Steel
<b>Treads and Balusters</b>	Primed (Flat Black)	Galvanized Steel
<b>Tread Type</b>	Smooth Steel	Diamond Plate
<b>Handrail</b>	Black Vinyl or Raw Aluminum	Black Vinyl or Raw Aluminum
<b>Optional Wood Tread Covers</b>	Red Oak	N/A
<b>Optional Traction Tread Covers</b>	Black	N/A

## Diameter Measurements

The recommended opening should be at least 2" wider than the staircase's diameter.

Please refer to the following chart for more diameter measurement information.

Stair Diameter	Floor Opening
42" (3'6")	44"
60" (5'0")	62"

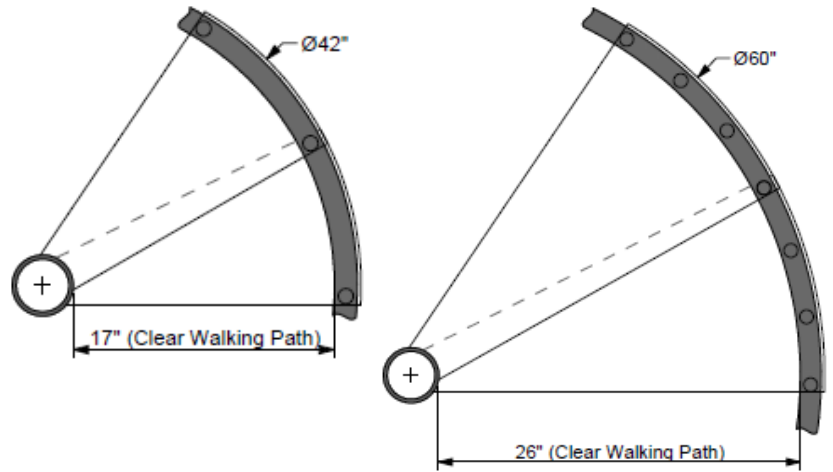


## Walking Path Measurements

The clear walking path is the measurement from the inside of the column to the inside of the handrail and will vary by model and diameter choice.

Please refer to the following chart for more walking path measurement information.

Stair Diameter	Clear Walking Path
42" (3'6")	17"
60" (5'0")	26"

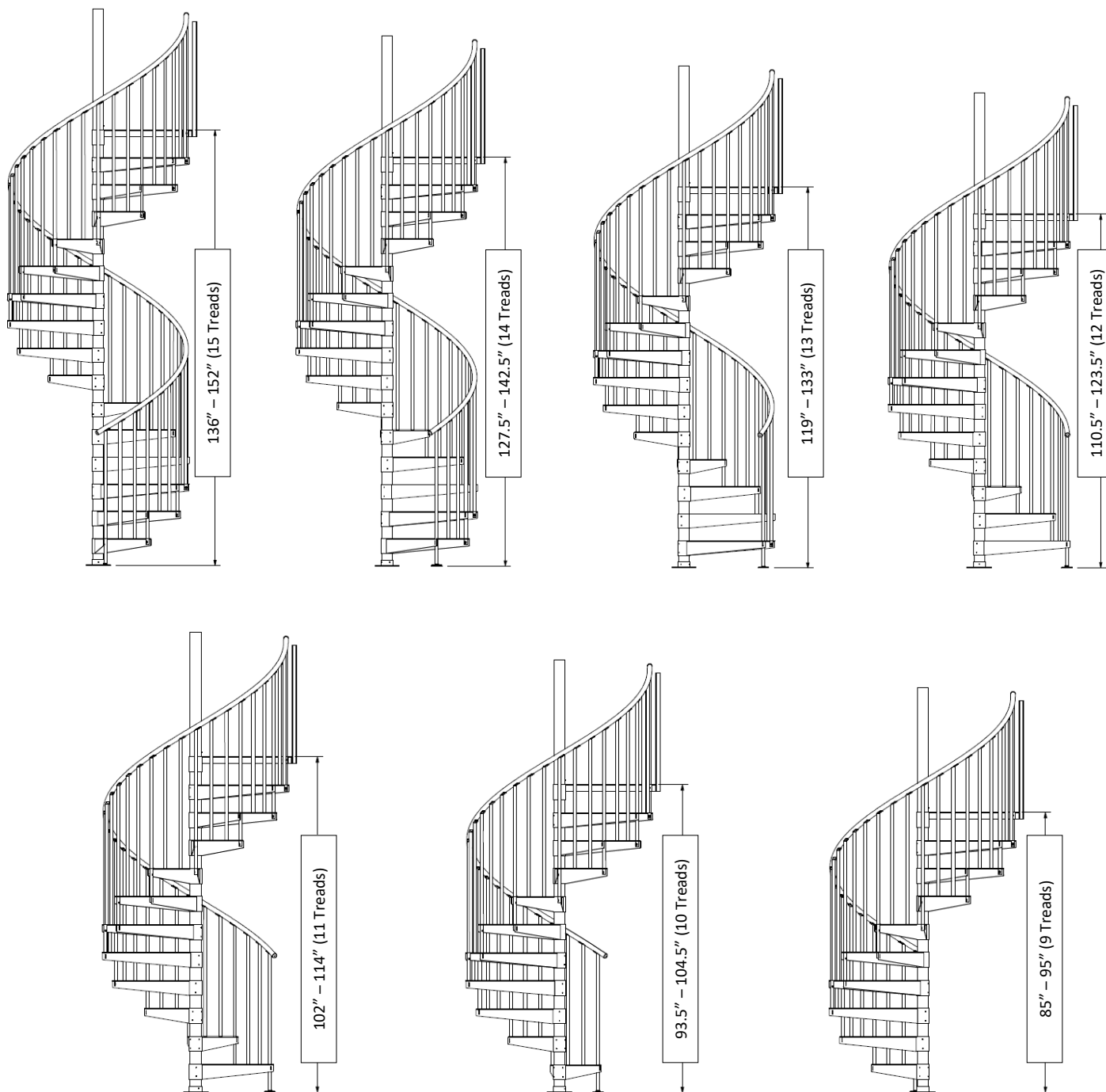


## Height Measurements

The Reroute Collection is offered in various tread counts to cover a multitude of height application. Each tread is adjustable from 8 ½" to 9 ½" between treads. Floor to Floor height is measured from the lower floor to the top of the floor above. Please refer to the chart below to find the proper tread count for your installation application.

Tread Count	Floor to Floor Measurements	
	Height Min	Height Max
9	85"	95"
10	93.5"	104.5"
11	102"	114"
12	110.5"	123.5"
13	119"	133"
14	127.5"	142.5"
15	136"	152"

## Elevation Measurements (continued)



Please call (855) 821-1689 or visit [mylenstairs.com](http://mylenstairs.com) for additional product information, assistance or questions.