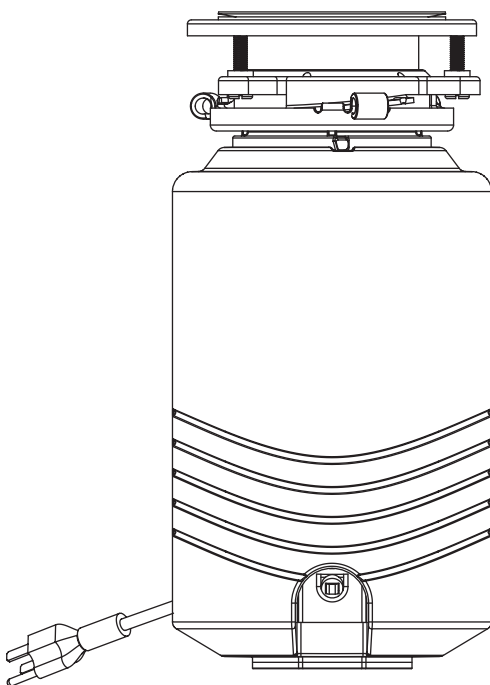


USE AND CARE GUIDE

FOOD WASTE DISPOSER



Questions, problems, missing parts? Before returning to the store,
call Glacier Bay Customer Service
8 a.m. - 7 p.m., EST, Monday - Friday, 9 a.m. - 6 p.m., EST, Saturday

1-855-HD-GLACIER

HOMEDEPOT.COM/GLACIERBAY

THANK YOU

We appreciate the trust and confidence you have placed in Glacier Bay through the purchase of this food waste disposer. We strive to continually create quality products designed to enhance your home. Visit us online to see our full line of products available for your home improvement needs. Thank you for choosing Glacier Bay!

Table of Contents

Safety Information	2	Installation	6
Warranty.....	3	Operation.....	13
Pre-Installation.....	4	Continuous Feed	13
Planning Installation	4	Tips For Successful Operation	13
Typical Installations	4	Care and Cleaning	13
Tools Required	4	Troubleshooting	14
Package Contents	5	Recommended Parts and Accessories	15

Safety Information

INSTRUCTIONS PERTAINING TO A RISK OF FIRE, ELECTRIC SHOCK OR INJURY TO PERSONS. SAVE THESE INSTRUCTIONS.



CAUTION: Be sure to review safety instructions pertaining to a risk of fire, electrical shock, or injury to persons before using the disposer

When using electrical appliances, basic precautions should always be followed, including the following:

- Read all instructions before using the appliance.
- To reduce the risk of injury, close supervision is necessary when an appliance is used near children.
- Do not put fingers or hands into a waste disposer.
- Turn the power switch to the off position before attempting to clear a jam or remove an object from the disposer.
- When attempting to loosen a jam in a waste disposer, use a long wooden object such as a wooden spoon or the wooden handle of a broom or mop.
- When attempting to remove objects from a waste disposer use long-handled tongs or pliers. If the disposer is magnetically actuated, non-magnetic tools should be used.
- When not operating a disposer, leave the stopper in place to reduce the risk of objects falling into the disposer.
- DO NOT operate disposer unless splash guard is in place.
- To reduce the risk of injury by materials that may be expelled by a waste disposer, do not put the following into a disposer: clam or oyster shells; caustic drain cleaners or similar products; glass, china or plastic; large whole bones; metal, such as bottle caps, tin cans, aluminum foil or utensils; hot grease or other hot liquids; whole corn husks.
- For proper grounding instructions see the electrical connections portion of this manual.
- If the supply cord is damaged, it must be replaced by the manufacturer, its service agent, or authorized person in order to avoid hazard.
- This appliance is not intended for use by persons (including children) with reduced physical, sensory or mental capabilities, or lack of experience and knowledge, unless they have been given supervision or instruction concerning use of the appliance by a person responsible for their safety.
- Children should be supervised to ensure that they do not play with the appliance.

Warranty

Proof of purchase is required! Staple receipt or proof of purchase to this manual. Tracking is handled through the serial number affixed to the bottom of the disposer and/or on the power cord label.

Conveniently record your model number and serial number on page 4 of this manual for your records. If you need warranty service, call us toll-free at 1-833-240-6222. Have serial number and receipt available for the technician. Warranty is non-transferable.

WARRANTY: Glacier Bay® disposers are warranted when installed in the United States to be free from defects in workmanship and material during the warranty period. This warranty sets forth our overall warranty commitment. We will not assume, nor authorize any person to assume for us, any other liability in connection with the sale of our products. Warranty only valid for product sold through authorized dealers/retailers.

LENGTH OF WARRANTY: 1/3 HP MODELS - 5 years from date of purchase. 1/2 HP MODELS - 6 years from date of purchase. 3/4 HP MODELS - 10 years from date of purchase. 1 HP MODELS - 12 years from date of purchase. Models that fail to operate during its warranty period, will be repaired or replaced. This Warranty includes In-Home Warranty for Glacier Bay® models that fall into disrepair due to manufacturing defect. This warranty is limited to the original purchaser. Original sales receipt required.

DEFECTIVE Disposer: During the warranty period, a defective or inoperative disposer will be replaced by the company at no charge to the consumer/purchaser. Original sales receipt required. The warranty on the replacement will be limited to the unexpired term of the warranty on the original disposer.

CHANGE OF OWNERSHIP Disposer: Warranty remains in force for warranty period from date of purchase of disposer by the original retail customer. Warranty is non-transferable. Original sales receipt required.

MISUSE OF Disposer: This warranty does not apply to any disposer which is misused, altered, improperly installed or used for anything other than normal residential use. Additional conditions not covered by the warranty are as follows: Electrical connections due to improper installation; leaks at the sink flange, dishwasher inlet or discharge elbow; damage by installer such as excessive torquing of screwed connections; incorrect operation such as grinding nonfood waste; and jams.

HOW TO RECEIVE SERVICE: Contact our Customer Service department: Toll Free: (1-833-240-6222).

LIFETIME CORROSION WARRANTY: In addition to above warranty, any disposer that fails to operate because of corrosion will be replaced. This Lifetime Corrosion warranty is limited to the original purchaser. Original sales receipt is required.

MODEL NUMBER AND SERIAL NUMBER: The model number and serial number are located on the bottom serial plate of your disposer and/or the power cord tag. Always reference the model number and serial number when contacting customer service about any warranties on your disposer.

IMPLIED WARRANTIES: IMPLIED WARRANTIES, INCLUDING IMPLIED WARRANTIES OF MERCHANTABILITY AND FITNESS FOR A PARTICULAR PURPOSE, ARE LIMITED IN DURATION TO WARRANTY PERIOD FROM THE DATE OF PURCHASE. Some states do not allow limitations on how long an implied warranty lasts, so therefore the above limitation may not apply to you.

CONSEQUENTIAL OR INCIDENTAL DAMAGES: THE COMPANY SHALL NOT BE LIABLE FOR CONSEQUENTIAL OR INCIDENTAL DAMAGES FOR ANY BREACH OF WARRANTY, EXPRESS OR IMPLIED. Some states do not allow the exclusion or limitation of the consequential or incidental damages, so therefore the above exclusion may not apply to you.

EXCLUSIVE REMEDY; CONSEQUENTIAL DAMAGES: The foregoing provisions state the exclusive remedy for any breach of warranty, express or implied, TO THE EXTENT PERMITTED BY LAW, THE COMPANY SHALL NOT BE LIABLE FOR CONSEQUENTIAL OR INCIDENTAL DAMAGES FOR BREACH OF WARRANTY, EXPRESS OR IMPLIED. Some states do not allow the exclusion or limitation of consequential or incidental damages, so therefore the above exclusion may not apply to you.

Pre-Installation

PLANNING INSTALLATION



CAUTION: Be sure to review safety instructions pertaining to a risk of fire, electrical shock, or injury to persons before using the disposer.



NOTE: This food waste disposer has been designed to operate on 110-120 Volt, 60 Hz exclusively. Using any other voltage or Hz adversely affects performance.



IMPORTANT: Read all instructions carefully and completely before starting. Keep this guide for future reference.

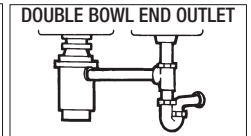
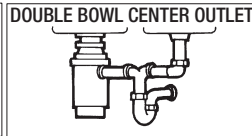
Record important disposer information here:

Model Number*	Serial Number*

*Above information appears on the label affixed to bottom of the disposer. For your convenience, write down the model and serial number prior to installation.

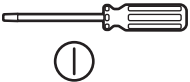
TYPICAL INSTALLATIONS

- Single bowl
- Double bowl center outlet
- Double bowl end outlet



For your specific disposer dimensions, contact Glacier Bay customer service at 1-855-HD-GLACIER.

TOOLS REQUIRED



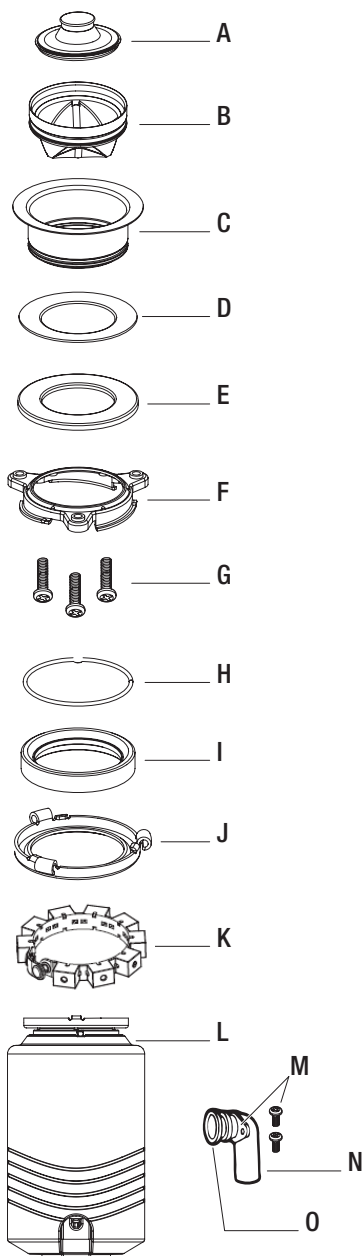
Flat head screwdriver



Plumber's putty

Pre-Installation (continued)

PACKAGE CONTENTS



Part	Description
A	Stopper
B	Removable splash guard
C	Sink flange
D	Fiber gasket
E	Support flange
F	Upper mount ring
G	Mount screws
H	Retaining ring
I	Cushion ring (pre-installed between upper mount ring and lower mount ring)
J	Lower mount ring* (pre-installed on the disposer)
K	Silver Guard® magnetic catch ring**
L	Disposer
M	Elbow flange and screw set
N	Elbow
O	Rubber gasket (pre-installed on elbow)

* Part not disengaged during disposer installation.

**Attachment included with 3/4 HP and 1 HP models.



NOTE: The enclosed screw set is required for installation. Do not use previously installed screw set.



IMPORTANT: As the mounting assembly is properly assembled at the factory, please pay close attention to the order of the mounting system parts.

Installation

1 Disassembling the Disposer Mounting Assembly

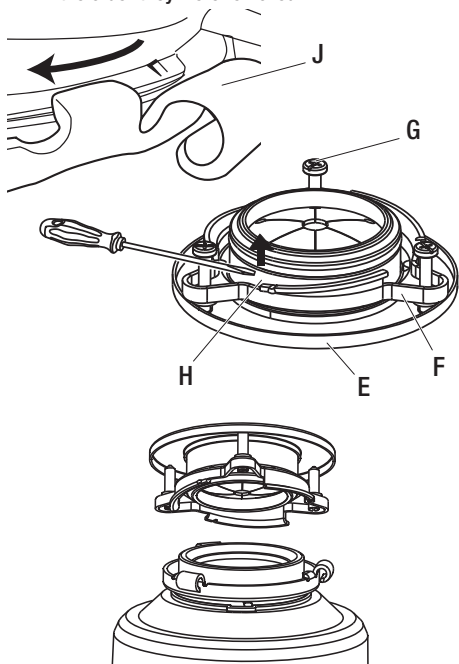


NOTE: The cushion ring and lower mount ring will remain attached to the disposer during installation.



IMPORTANT: Note the order of parts during disassembly as they are arranged in the required order.

- Disassemble the mounting assembly by rotating the lower mount ring (J) clockwise until the lower mount ring (J) tabs slide off from the upper mount ring (F) ramp.
- Pull the sink flange (C) up and out of the remaining lower mount assembly.
- Make note of the order of these parts as they are arranged in the required order.
- Unscrew the three mount screws (G) until the upper mount ring (F) can be moved to the top of the support flange (E).
- Remove the retaining ring (H) with a flat head screwdriver.
- Keep the remaining parts placed together in the order they were removed.



2 Preparing the Sink

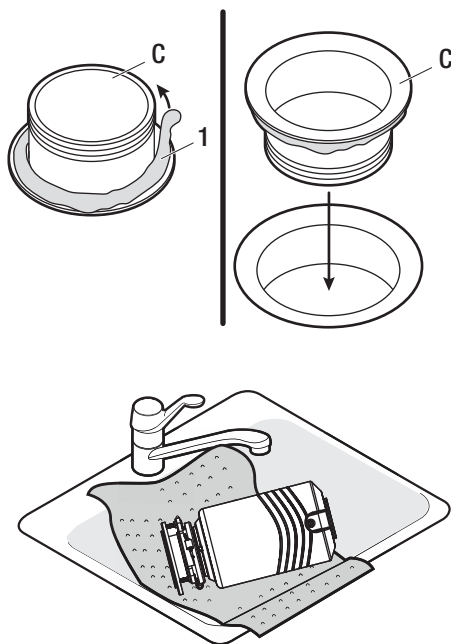


IMPORTANT: This is a good time to clean out the trap and drain lines by running a drain auger or plumber's snake before installing your new disposer.

- Ensure that the sink is clean and thoroughly dry.
- Load the underside rim of the sink flange (C) with plumber's putty (1).
- From the top of the sink, push the sink flange (C) down against the sink opening to make a good seal.
- Place a heavy object, such as the disposer, on top of the sink flange (C) to hold it down. Place the object on a towel to prevent scratching the sink.

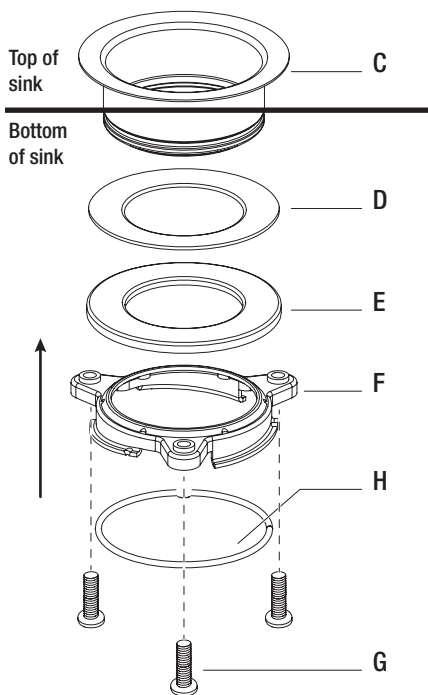


IMPORTANT: Do not move or rotate the sink flange once it has been seated or the seal may be broken.



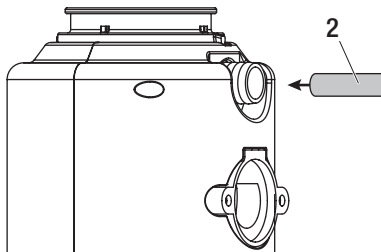
3 Installing the Mounting Assembly

- From under the sink, insert the fiber gasket (D), then the support flange (E), and then the upper mount ring (F).
- Hold the three parts in place while attaching the retaining ring (H) by pulling it apart and having it snap within the groove of the sink flange (C).
- Tighten the three mount screws (G) evenly and firmly against the support flange (E). Do not overtighten.
- Trim off any excess plumber's putty in the sink with a plastic knife or something similar that will not damage your sink.



4 Preparing the Dishwasher Connection

- Using a blunt instrument (2) (steel punch or wooden dowel), knock out the entire plug. Do not use a screwdriver or sharp instrument.
- When the knockout plug falls into the disposer, you may remove it or grind it up when the disposer is used. This will not damage the disposer in any way, but it may take some time to grind.



5 Attaching the Disposer



IMPORTANT: Before you connect the disposer to the mount assembly under the sink, make sure the lower mount ring is in place and the black cushion ring is still engaged properly to the top of the disposer hopper.

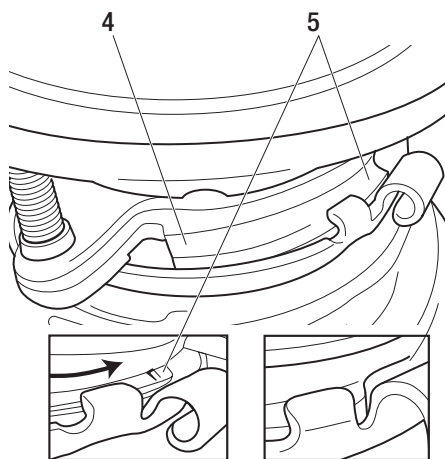
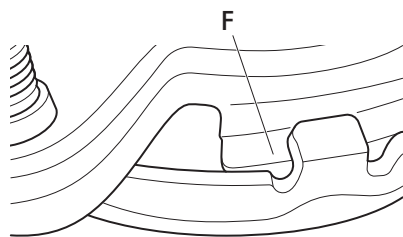
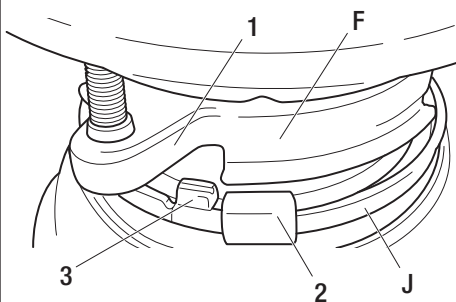
- Attach the disposer (L) to the upper mount ring (F) by aligning the three mount tabs on the lower mount ring (J) with the slide-up ramps on the upper mount ring (F) and rotating counterclockwise.
- The lower mounting ring (J), which is preassembled on the disposer, has three tabs (2) that grab the mounting ring ramp.
 1. Points to the upper mount ring (F).
 2. Is the tab that slides up onto the “ramp.”
 3. Is the “ear” that is used to help rotate the lower mount ring (J).
- Lift and turn the lower mount ring (J) counterclockwise until all three mount tabs lock over the ridges on the slide-up ramps of the upper mount ring (F).
- As the lower mount ring (J) is turned counterclockwise, each tab slides up onto the upper mount ring (F) ramp (4) and locks into position over the ridges (5).



NOTE: Use a screwdriver or hammer for leverage if needed.



IMPORTANT: If the disposer needs to be removed, tapping on the “ear” clockwise with a hammer will easily loosen the lower mount ring.



6 Mounting the Magnetic Catch Ring (Included with 3/4 HP and 1 HP Models)



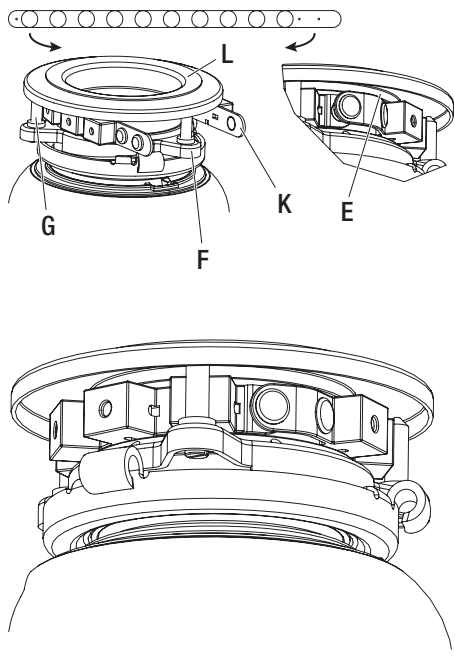
WARNING: This is not a toy. Keep uninstalled magnetic catch ring away from children.

- After the disposer (L) is fully mounted to the sink, guide the magnetic catch ring (K) through the mount screws (G) with the flat portion of the black strap facing the metal sink flange (C).
- Place it between the support flange (E) and upper mount ring (F).



NOTE: The ring must be placed under the flange of the support ring.

- Once the magnetic catch ring (K) is fitted, firmly press on the snaps to secure the strap.

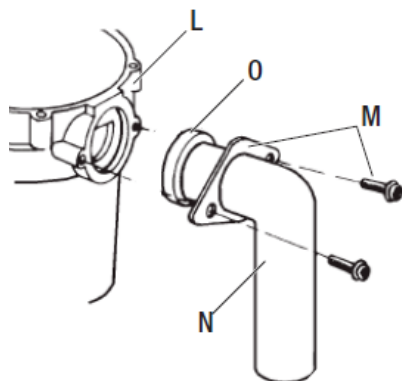


7 Attaching the Discharge Elbow



NOTE: The enclosed screw set is required for installation. Do not use a previously installed screw set.

- Connect the waste elbow (N) to the disposer (L) by sliding the elbow flange (M) against the preinstalled rubber gasket (O) on the elbow and tightening the screws (M) into the disposer (L).
- Connect bottom of the elbow (N) by tightening the slip nut. If using a straight pipe, it must have a lip similar to the one on the elbow.
- Remove the gasket from the elbow (N) and install it by ensuring the groove in the gasket securely fits over the pipe lip.
- If you are not connecting to a dishwasher.
 - Make sure all plumbing connections are tight and in accordance with all plumbing codes and ordinances.
 - Run the water and check for leaks.
 - Skip to Making the Electrical Connections step.

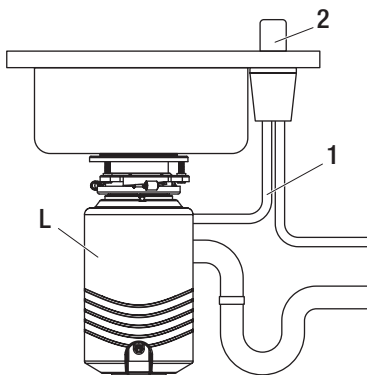


8 Connecting the Dishwasher Hose

- Connect the dishwasher hose (1) to the disposer (L) using a hose clamp.
- Make sure all plumbing connections are tight and in accordance with all plumbing codes and ordinances.
- Run the water and check for leaks.



NOTE: An air gap (2) may not be required for all installations. Check local plumbing codes.



9 Making the Electrical Connections Using Power Cord

- Connect the disposer to appropriate household current only with the plug-in power cord.



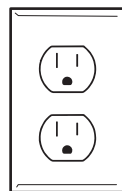
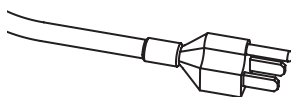
WARNING: Improper connection of the equipment grounding conductor can result in a risk of electric shock. Check with a qualified electrician or serviceman if you are in doubt as to whether the appliance is properly grounded. Do not modify the plug provided with the appliance if it will not fit the outlet. Have a proper outlet installed by a qualified electrician.



IMPORTANT: The receptacle to which this appliance is connected must be controlled by a switch.



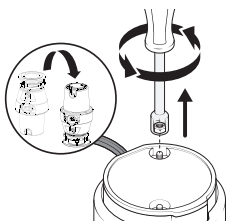
IMPORTANT: This appliance must be grounded. In the event of a malfunction or breakdown, grounding provides a path of least resistance for electric current to reduce the risk of electric shock. This appliance is equipped with a cord having an equipment-grounding conductor and a grounding plug. The plug must be plugged into an appropriate outlet that is properly installed and grounded in accordance with all local codes and ordinances. If the supply cord is damaged, it must be replaced by the manufacturer, its service agent, or similarly qualified person in order to avoid a hazard.



10 Removing Power Cord for Permanent Wiring

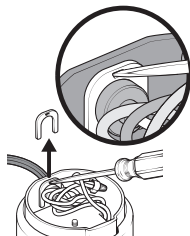
A. REMOVING THE END PLATE

- After turning off power supply, unbolt the two nuts and remove end plate.



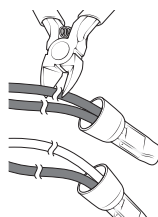
B. REMOVING THE STRAIN RELIEF CLIP

- Using a flat head screwdriver or needle nose pliers, remove the clip from strain relief portion of the cord.



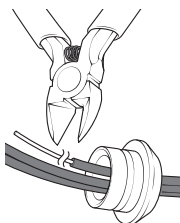
C. CUTTING THE ELECTRIC SUPPLY WIRES

- Using wire cutters, cut the black (or brown) wire and white (or blue) wire near the connectors.



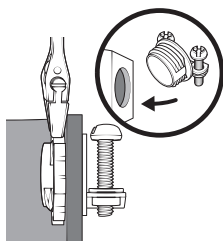
D. CUTTING THE GROUND WIRE

- Pull cord strain relief out of the end bell. Cut the green ground wire near the cord strain relief.



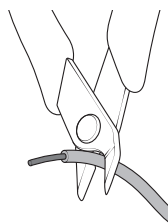
E. INSERTING STRAIN RELIEF CONNECTOR

- Insert metal strain relief connector (not included) into the end bell hole and tighten the nut securely.



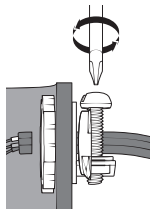
F. STRIPPING THE WIRES

- Strip the green, black, and white insulation from last 1/2 in. of each wire.



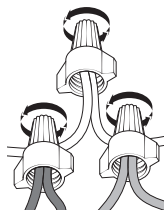
G. INSERTING POWER SUPPLY CABLE

- Insert the power supply cable, coming from the wall junction box, through the strain relief connector. Tighten the connector.



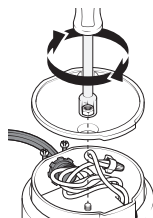
H. CONNECTING THE WIRES

- Connect disposer wire leads (black and blue) to corresponding wire leads of the power supply cable. Green always connects to green.



I. ATTACHING THE END PLATE

- Setting the wires into the end bell, replace the end plate and tighten the two bolts.



11 Making the Electrical Connections Using Permanent Wiring



WARNING: Electric shock hazard. Turn off power before installing or servicing the disposer. All wiring must comply with local electrical codes.



NOTE: Grounding: This disposer must be connected to a grounded, metal, permanent wiring system or an equipment-grounding conductor must be run with the circuit conductors and connected to the equipment grounding terminal or lead on the disposer.



NOTE: An acceptable motor control switch with a marked off position shall be provided at the time of installation to disconnect the disposer from all ungrounded supply conductors. The switch shall be mounted in sight of the disposer or in sight of the sink opening for the disposer.



NOTE: Do not connect electrical current at main breaker panel until adequate ground is established. Inadequate connection of the ground wire can result in a risk of electric shock. Consult with a certified electrician or tradesman if there is any doubt whether the disposer is inadequately grounded. Your disposer must be adequately grounded.

- Turn off or disconnect all power to the wall junction box serving the disposer.
- Open the junction box in the wall and remove the wire nuts or electrical tape or whatever is tying the old disposer wire to the electrical wire inside of the junction box.
- Open the end bell plate at the bottom of the disposer.
- If you are using flexible armored (BX) cable:
 - Install cable fitting in the disposer end bell hole.
 - Secure the cable to the fitting and install an insulating bushing or equivalent.
 - Connect white wire from the junction box to the white (or blue) wire of the disposer.
 - Connect black wire from the junction box to the black (or brown) wire of the disposer.
 - Connect bare ground wire from the junction box to green ground screw within the disposer end bell.
- If you are using non-metallic sheathed (ROMEX) cable:
 - Install cable fitting in the end bell hole and secure the cable to the fitting.
 - Connect white wire from the junction box to the white (or blue) wire of the disposer.
 - Connect black wire from the junction box to the black (or brown) wire of the disposer.
 - Connect bare ground wire from the junction box to green ground screw within the disposer end bell.
- If your power supply cable does not include a grounding wire, one must be provided.
- Attach a copper wire securely to the disposer ground screw and attach other end of ground wire to a metal cold water pipe.
- Do not attach ground wire to a gas supply pipe.
- Use only UL Listed grounding clamp.
- If plastic pipe is used in your home, a qualified electrician should install a proper ground.

Operation

CONTINUOUS FEED



NOTE: The anti-jam swivel impellers make a clicking sound as they initially swing into place. This indicates normal operation.

- Remove sink stopper. Turn on a medium flow of cold water.
- Turn switch to ON position; your motor is turning at full speed and ready to use.
- Scrape in food waste. Down the drain go table scraps, peelings, rinds, seeds, pits, small bones and coffee grounds. To speed up food waste disposer, cut or break up large bones, rinds and cobs. Large bones and fibrous waste require considerable grinding time and are more easily thrown away with other trash. Do not be alarmed that the disposer slows down while grinding. The disposer is actually increasing torque (grinding power) and is operating under normal conditions.
- Before turning disposer off, let water and disposer run for approximately 15 seconds after shredding or grinding stops. This assures that all waste is thoroughly flushed through trap and drain.
- It is not recommended to use hot water while running disposer. Cold water will keep waste and fats solid so disposer can flush away particles.

TIPS FOR SUCCESSFUL OPERATION

- Be sure disposer is empty before using your dishwasher so it may drain properly.
- You may want to leave the stopper in the sink drain when not in use to prevent utensils and foreign objects from falling into the disposer.
- Your disposer is ruggedly built to give you many years of trouble-free service. It will handle all normal food wastes, but it will NOT grind or dispose of such items as plastic, tin cans, bottle caps, glass, china, leather, cloth, rubber, string, clam and oyster shells, aluminum foil, or feathers.

Care and Cleaning



IMPORTANT: Do not attempt to lubricate your disposer.

- The motor is permanently lubricated. The disposer is self-cleaning and scours its internal parts with each use.
- Never put lye or chemical drain cleaners into the disposer, as they cause serious corrosion of metal parts. If used, resulting damage can be easily detected and all warranties are void.
- Mineral deposits from your water can form on the stainless-steel turntable, giving the appearance of rust. DO NOT BE ALARMED, the stainless-steel turntables used will not corrode.
- Help keep your disposer free of odors by cleaning the underneath of the removable splash guard periodically.

Troubleshooting

Problem	Possible Cause	Solution
Loud noises (other than those during grinding of small bones and fruit pits).	These are usually caused by accidental entry of a spoon, bottle cap or other foreign object.	<ul style="list-style-type: none"> <input type="checkbox"/> Turn off electrical switch and water. <input type="checkbox"/> After disposer has stopped, remove splash guard, remove object with long handled tongs, and replace splash guard.
Unit does not start.	There is a jam.	<ul style="list-style-type: none"> <input type="checkbox"/> Unplug power cord or turn either the wall switch or breaker box switch to "OFF" position, depending on your model and wiring configuration. <input type="checkbox"/> Remove stopper and/or splash guard. <input type="checkbox"/> Check to see if turntable will rotate freely using a wooden broom handle. If turntable rotates freely, replace splash guard and check reset button to see if it has been tripped.
	The reset was tripped.	<ul style="list-style-type: none"> <input type="checkbox"/> Reset button is red and located on the front of the disposer. <input type="checkbox"/> Push button in until it clicks and remains depressed.
	There is an electrical short.	<ul style="list-style-type: none"> <input type="checkbox"/> If reset button has not been tripped, check for shorted or broken wire connecting to disposer. <input type="checkbox"/> Check electrical power switch, fuse box or circuit breaker. If wiring and electrical components are intact, the unit may have internal problems that require service or replacement.
Turntable does not rotate freely.	There is a jam.	<ul style="list-style-type: none"> <input type="checkbox"/> Turn off disposer, then check for any foreign object lodged between the turntable and grind ring. <input type="checkbox"/> Dislodge object by rotating table with a wooden broom handle and remove object. <input type="checkbox"/> If no foreign object is present, there may be internal problems.
Unit leaks at the top.	Improper seating of sink flange (gasket centering, putty or tightening).	<input type="checkbox"/> Adjust the seating of the sink flange.
	Support flange not tightened properly.	<input type="checkbox"/> Tighten the support flange.
	Defective or improperly installed cushion mount.	<input type="checkbox"/> Adjust the cushion mount installation or replace.
Unit leaks at the waste elbow.	May be due to improper tightening of elbow flange screws.	<input type="checkbox"/> Tighten the elbow flange screws.

Recommended Parts and Accessories

Part	Description
22-0003Q-00	3-Bolt Garbage Disposer Mount Fits Most Sinks
22-0002G-00	Removable Splash Guard For 3-Bolt Mount Disposers
20-MSAS-65-MW	Single Outlet Air Switch For Disposers With Chrome Button
22-0003R-00	Extended Sink Flange With Extended Screws
22-MSELB-2	Outlet Elbow Kit (Elbow, Gasket, Flange, Flange Screws)
22-0001G-00	Stainless Steel Disposer Stopper
22-MSFGCM	3-Bolt Disposer Mount Ring and Fiber Gasket Kit



Questions, problems, missing parts? Before returning to the store,
call Glacier Bay Customer Service
8 a.m. - 7 p.m., EST, Monday-Friday, 9 a.m. - 6 p.m., EST, Saturday

1-855-HD-GLACIER

[HOMEDEPOT.COM/GLACIERBAY](https://www.homedepot.com/glacierbay)

Retain this manual for future use.