



WORX
it's your nature

Owner's manual

WR140
WR143
WR150
WR153



LANDROID
UNMANNED
MOWING
VEHICLE

Owner's manual	EN	P04
Manuel utilisateur	F	P41
Instrucciones de usuario	ES	P78

TABLE OF CONTENTS

Welcome	
pag. 05	Contact information
Get familiar with Landroid	
pag. 06	What's in the box
pag. 08	Getting to know Landroid
pag. 10	How Landroid works
Getting started	
pag. 12	Planning
pag. 15	Installation
pag. 19	Starting Landroid
pag. 21	Connecting Landroid to the Internet
pag. 23	Using the App
pag. 24	Landroid options
Maintenance	
pag. 25	Keep it sharp
pag. 26	Keep it clean
pag. 27	Keep it charged
pag. 27	Keep it stored over the Winter
pag. 27	Keep it updated
Quick reference	
pag. 29	Manual programming
pag. 32	Operation messages
pag. 33	Error messages
pag. 36	Trouble shooting
pag. 40	Technical data

Thank you for purchasing a Worx Landroid Robot Mower.

Totally autonomous, fully configurable, agile and efficient, Landroid manicures your grass and gives you the best lawn ever. This manual will help you get set up.

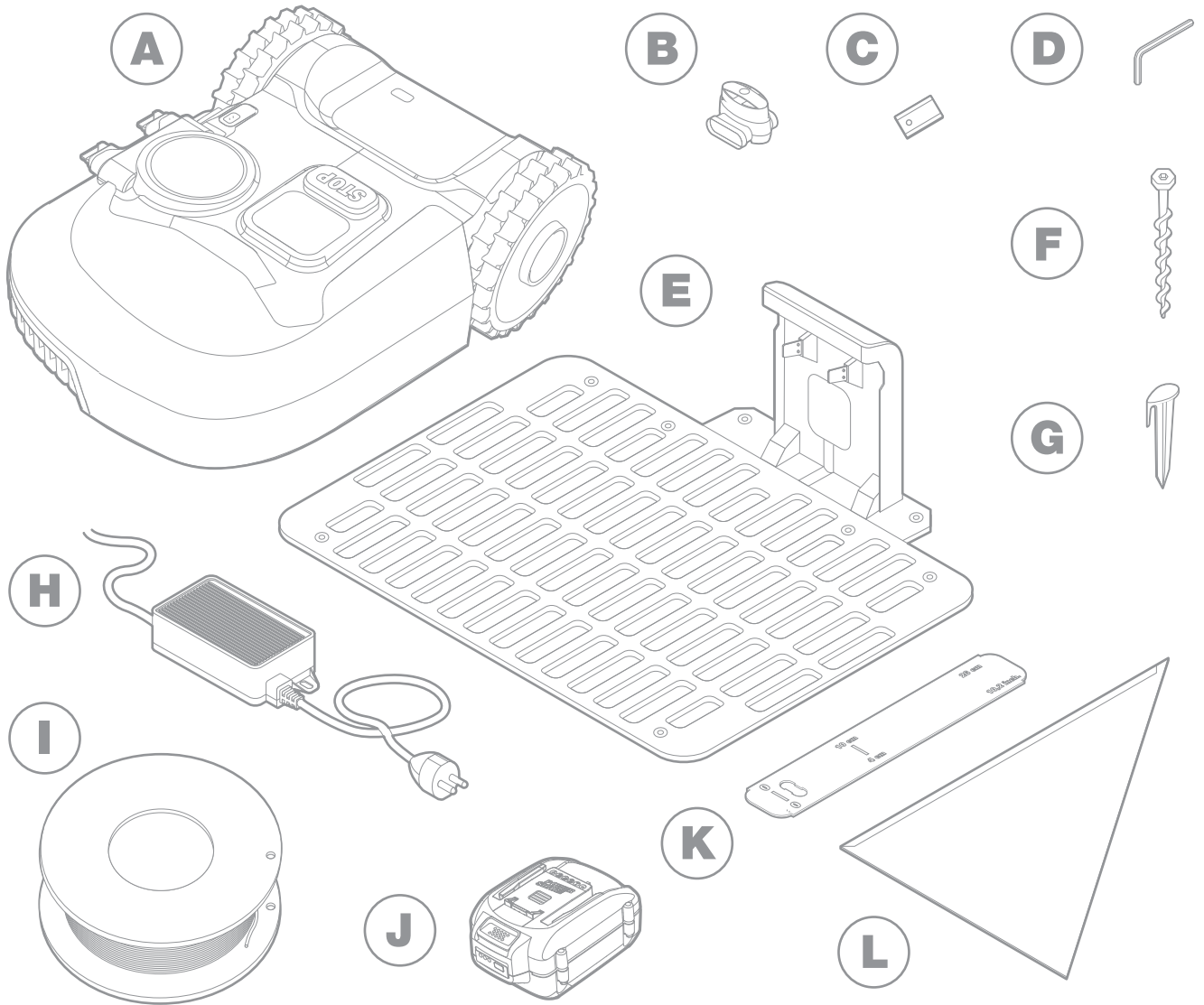
We're here to help:**Support**

www.worx.com

**Customer Services Helpline**

800-727-6260

WHAT'S IN THE BOX



A 1 Worx Landroid M

B 2 wire repair connectors

C 3 spare blades kits

D 1 Allen key

E 1 charging base

F 8 screws

G wire pegs x 250

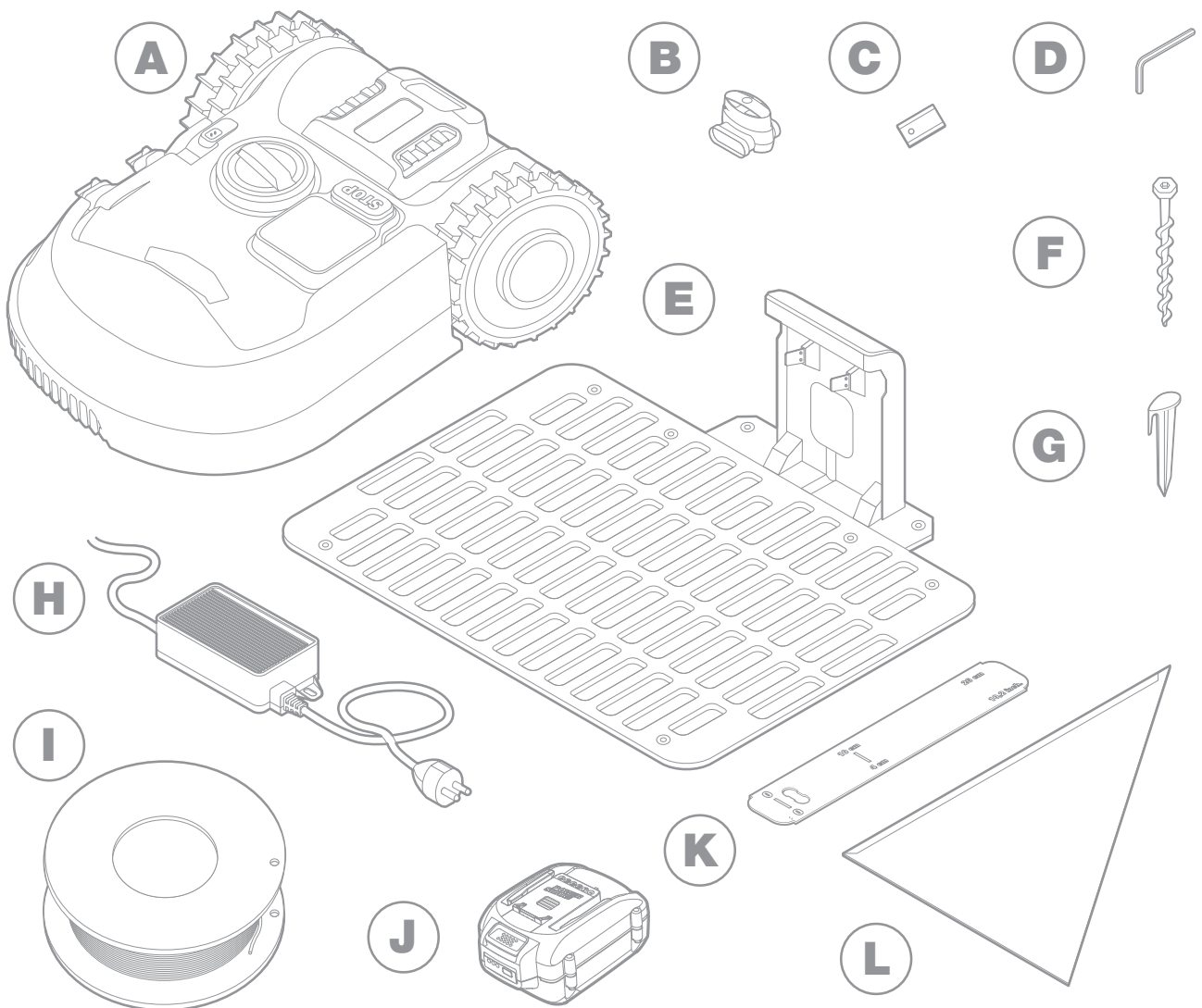
H 1 power supply

I boundary wire 590ft

J 1 20V 4.0Ah battery

K 1 boundary wire distance gauges

L 1 Bertelsen ruler

WHAT'S IN THE BOX

A 1 Worx Landroid L

B 2 wire repair connectors

C 3 spare blades kits

D 1 Allen key

E 1 charging base

F 8 screws

G wire pegs x 270

H 1 power supply

I boundary wire 656ft

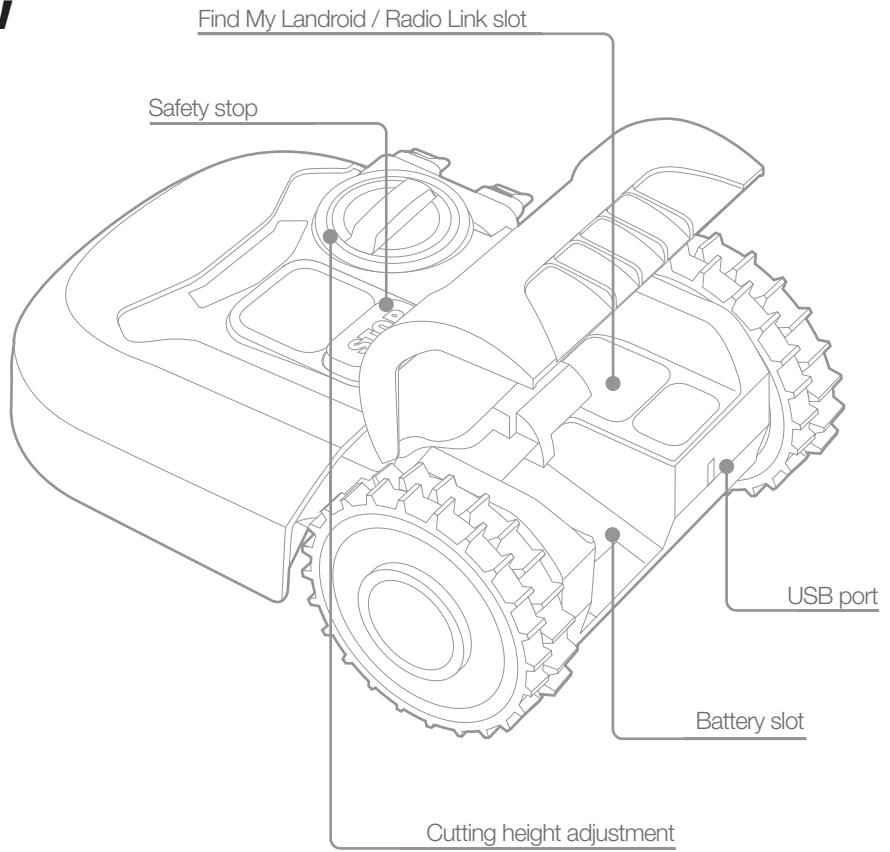
J 1 20V 4.0Ah battery

K 1 boundary wire distance gauges

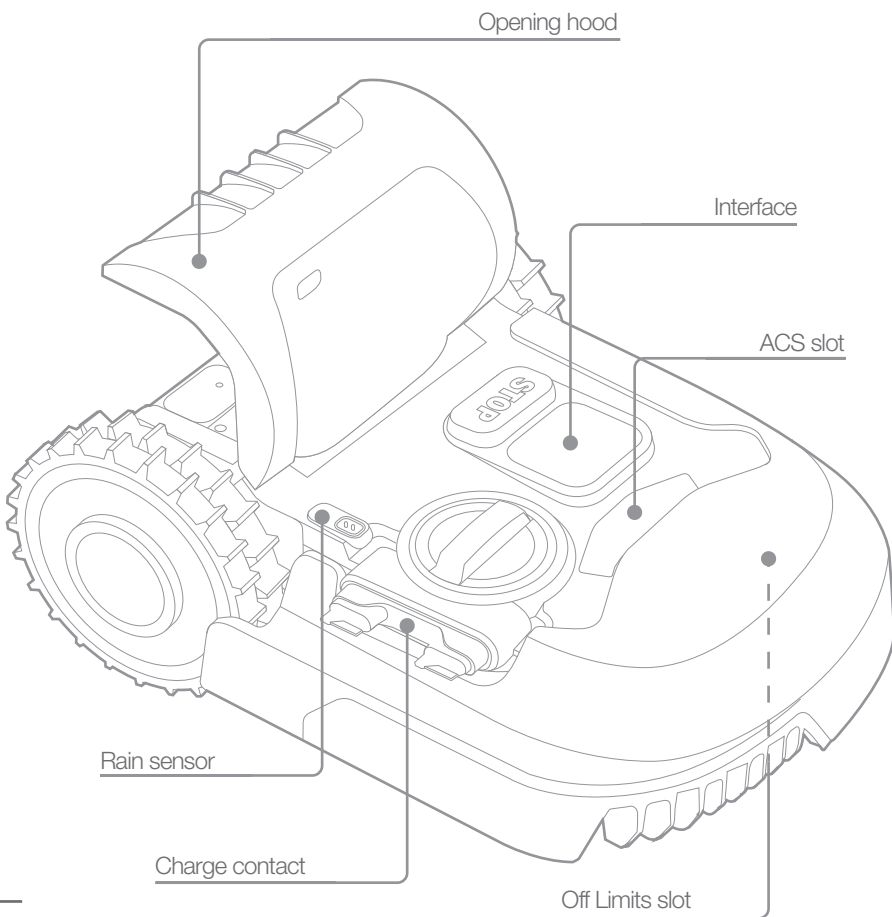
L 1 Bertelsen ruler

GETTING TO KNOW LANDROID M

A

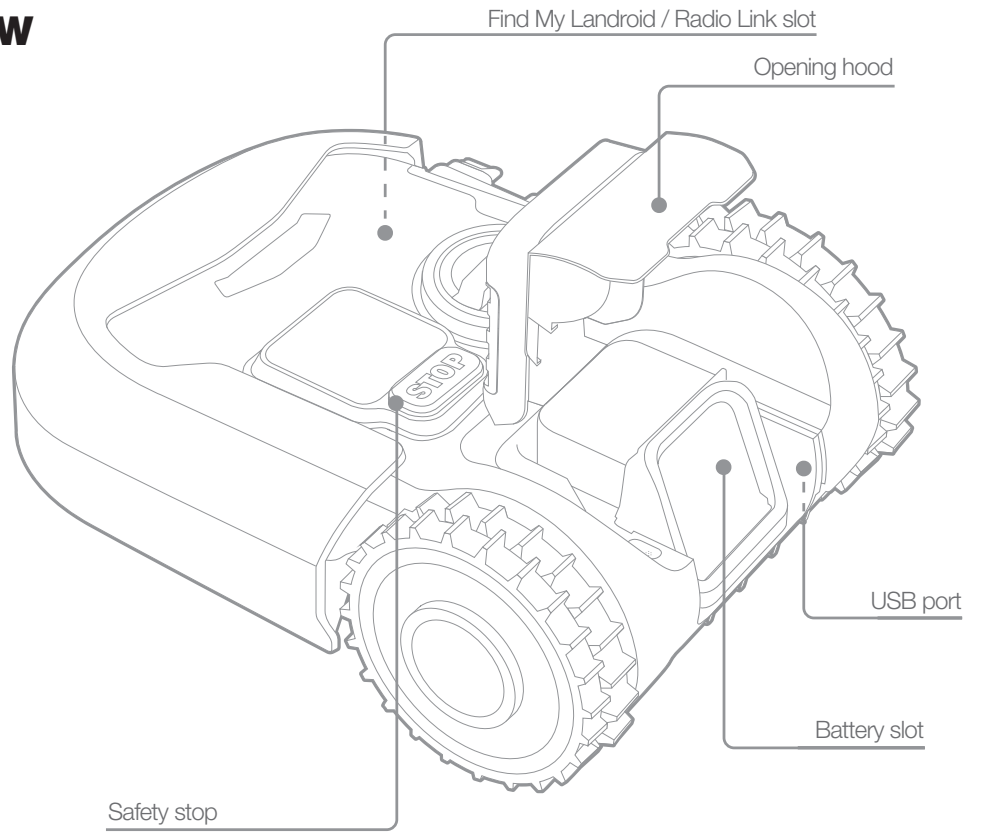


B

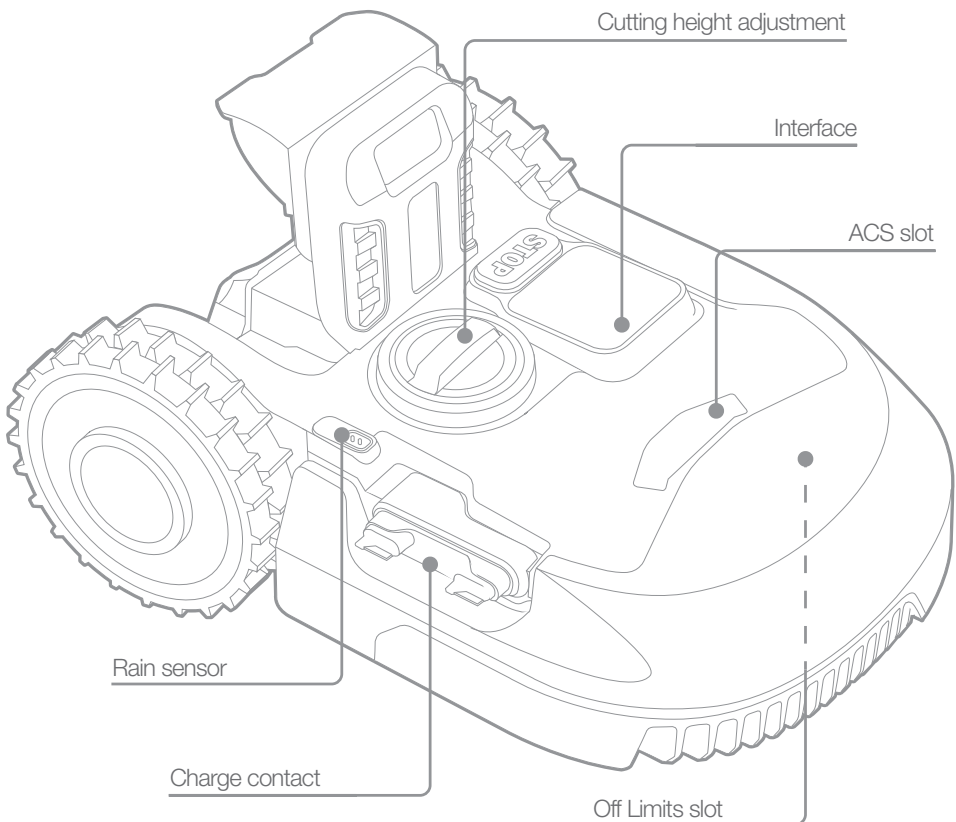


GETTING TO KNOW LANDROID L

A



B



HOW LANDROID WORKS

In the following section, we would like to help you better understand how Landroid works. Landroid is an autonomous machine, capable of operating on its own. It knows when it needs to go to its charging base, can sense when it is raining, can stop itself if it senses a problem and knows to stop, draw back, and turn around when it bumps into something blocking its path. To prevent an accident, Landroid will also automatically stop its blade disc from rotating if it is lifted off the ground.

Smart auto scheduling



Landroid programs itself, learns about your lawn and builds the perfect schedule for it. Even though you can manually program it, we recommend you take advantage of this advanced auto-scheduling by connecting Landroid to the internet and using the free Landroid app.

Charges itself



When your Landroid needs to recharge, it will stop mowing and follow the boundary wire in an counter-clockwise direction back to its charging base. Once charging is complete, Landroid will automatically resume mowing or stay in the charging base according to its mowing schedule.

Border management



Landroid is programmed to mow the grass along the perimeter of your lawn once a week on Monday. If you want to change this pre-set, you can modify it via your smartphone or by using the control panel in "Work time-Customize Work time" menus. See detailed instructions at the end of this manual.

Rain sensor



Landroid is 100% weather proof and happy to be outside. But mowing wet grass does not give you the best finish or result. Landroid is equipped with a rain sensor which detects rain and tells Landroid to stop mowing and go back to its charging base.

Rain delay time



After a rainfall, Landroid re-starts when the grass is no longer wet. The default Rain Delay time is 180 minutes. You can change the Rain Delay time setting via Landroid App or by using the control panel. See detailed instructions at the end of this manual.

In more extreme weather...

In case of a lightning storm, protect Landroid by unplugging the charging base, disconnecting the boundary wire, and making sure Landroid is not allowed to charge. In the Winter and especially in case of very cold weather and snow, we recommend you store your Landroid inside.

No more grass clippings to collect

Landroid's daily mowing produces very short clippings that don't need to be raked. These clippings are a perfect organic nutrient for your lawn. Frequent mowing boosts the density of grass blades and effectively prevents the propagation of weeds.

Cut to edge

Landroid M and L models have a cut to edge feature. The special offset blade gets as close as possible to the border of your lawn, leaving you little trimming to do.

Cutting Height

Landroid M's cutting height can be adjusted between 1.9" - 3.5" at 0.4" steps.
 Landroid L's cutting height can be adjusted between 1.6" - 3.9" at 0.4" steps. Landroid L's blade disc can be assembled in two ways as per the grass height. The original cutting height can be adjusted from 1.6" to 3.1". When turning over the Blade disc assembly, the cutting height can be adjusted from 2.4" to 3.9" with the blades on the bottom side of the blade disc.
 Before starting your Landroid for the first time, make sure your grass is no longer than 4". If longer, use a regular mower to cut it before operating Landroid. If you want to drastically shorten the height of your grass, it is recommended that you do so progressively, by adjusting the cutting height in steps.

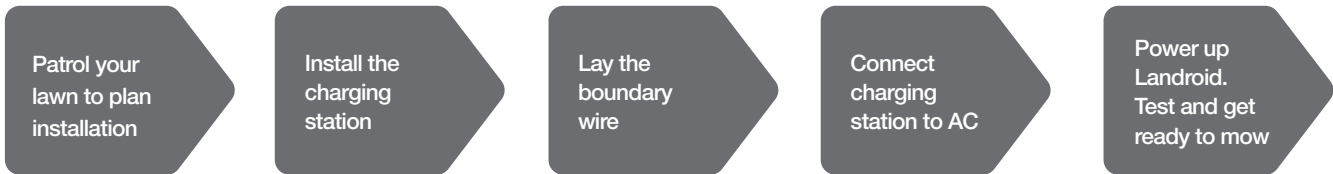
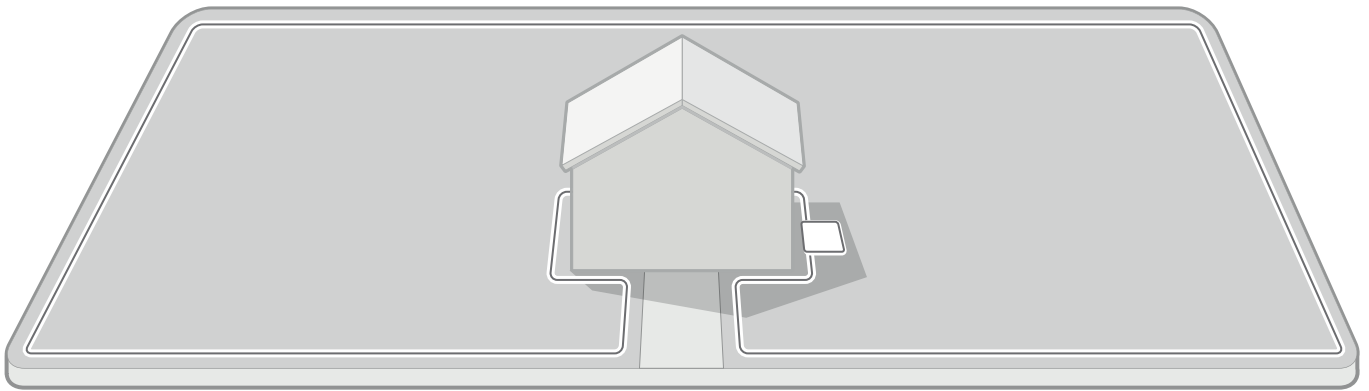
Security & PIN Protection

To prevent unauthorised people from being able to use it, Landroid is protected by a PIN code that you can easily set up. If Landroid is connected to your Wi-Fi network, you can lock it on your smartphone through the app. If additional security is required, we even have a Find my Landroid option which allows you to track your Landroid via a built in pre-paid SIM.

INSTALLING LANDROID YOURSELF? EASIER THAN YOU MAY THINK

Installing your Worx Landroid is easier if you carefully follow these instructions. In the end, it is a matter of installing the charging station and laying the boundary wire all around your lawn. In addition to this manual, you can use the Get Started guide that's inside the box*

* This information is provided for your convenience but does not replace the instruction manual and the safety instructions that needs to be read and understood.



EVERY MINUTE SPENT IN PLANNING SAVES YOU 10 MINUTES IN EXECUTION

Installing Landroid is even easier if you have made a clear idea of what you need to do. Proper planning will also help you avoid mistakes or having to rework the installation once it's done.

On the surface or buried?

Landroid's boundary wire is designed to stay on the surface of your lawn. Nearly invisible from the first day, it will be engulfed in the soil in a few weeks. If you will want to bury the wire, it is recommended to first peg it down and test the installation is successful by running Landroid over the perimeter. This allows you to easily check everything and, if necessary, change the layout before burying the wire. Bury the wire no more than a few centimetres below ground level, so that the wire ensures good signal.

Plan for the charging station

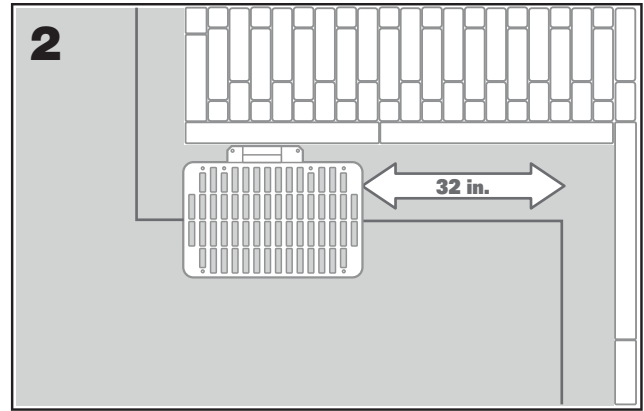
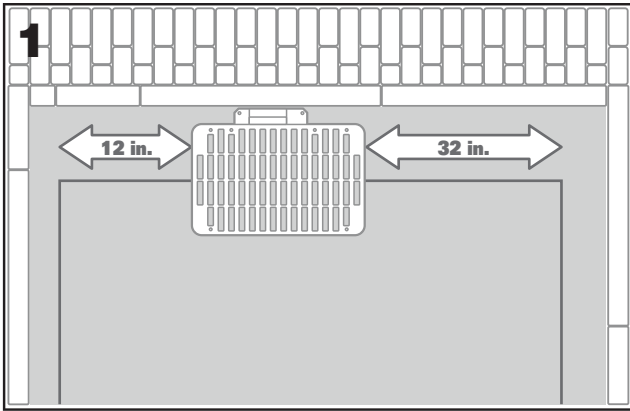
The charging station is where your Landroid goes to have its battery recharged. It's also the parking lot where it rests in between one mowing session and the next.

Locate a proper position for it, bearing in mind:

- It needs to be powered, so it should be no more than 32 feet away from an AC mains outlet
- If possible, choose a shaded position as batteries and chargers don't like over-heating
- The base needs to sit on flat land to ensure effective docking
- Avoid places close to irrigation sprinklers

You can place the charging station on your lawn or on a hard surface like a walkway, provided that the lawn and the hard surface are at the same height (no steps).

To enter the station, Landroid needs at least 32 in. straight path in front. On the exit side, it needs at least 12 in. straight path before a left turn (fig. 1). If the turn is to the right, there is no need for a straight path (fig. 2).



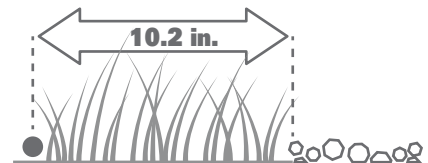
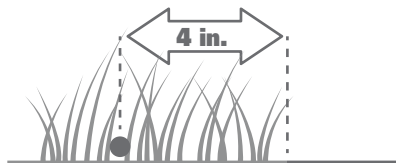
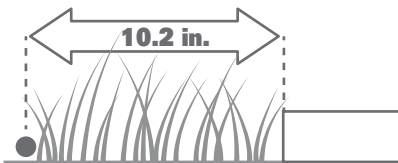
Charging station checklist:

- within reach of AC mains
- in shade
- straight path on entrance; straight path on exit if necessary
- flat land
- no irrigation sprinklers nearby

Plan for the boundary wire

The wire has to be placed at a certain distance from the edge of the lawn. This distance changes depending on what's on the other side of the edge. Different parts of your lawn may border different scenarios:

1. If the edge of the lawn borders a step: keep the wire 10.2 in. from the edge.
2. If the edge of the lawn borders a path at the same height: keep the wire 4 in. from the edge.
3. If the edge of the lawn borders gravel: keep the wire 10.2 in. from the edge, as Landroid's wheels may slip on gravel.



If a side of your lawn borders a neighbor's lawn with a robotic mower in use, lay your wire 3 ft. apart from your neighbor's wire to avoid possible interference.

PATROL YOUR LAWN

Landroid is designed to manage the most complex of lawns. Carry out a visual inspection of your lawn so you are prepared for a trouble-free installation of the boundary wire.

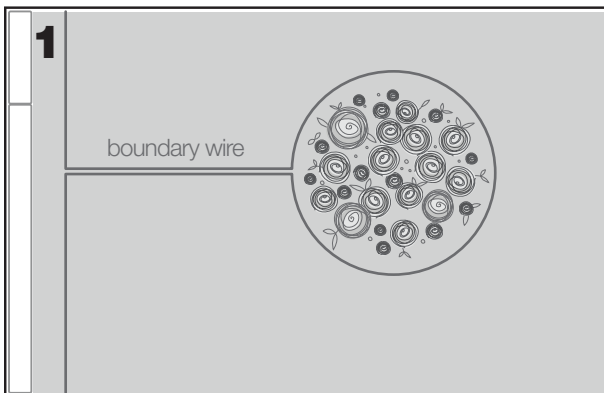
Identify forbidden areas

You don't want your robot mower to mow flowers, dive into a water feature, or shred tree roots that emerge from the ground. Locate these areas and surround them with boundary wire to prevent Landroid from accessing them.

The boundary wire is a single loop connected on both ends to the charging station, so you will have to depart with the wire from the border, surround the area you want to protect, then take the wire back to the border as illustrated here in fig. 1.

If areas to be surrounded are far away from the border of your lawn, or if you have several areas and tree roots to protect, this traditional method is time consuming.

A great alternative is to purchase Landroid's Off-Limits option. With this, you simply surround forbidden areas with the Off-Limits digital fence, which does not need to be connected to the boundary loop (fig. 2). The Off-Limits digital fence is also great to protect seasonal equipment (e.g. a trampoline) or for protecting new changes to the layout of your lawn without having to rework the boundary wire.



Identify obstacles

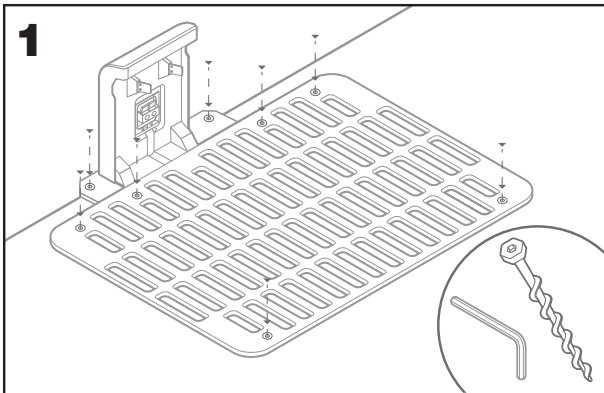
Landroid's bump sensor can manage solid obstacles such as trees, furniture and the like, which don't need to be surrounded by wire. If your lawn has several obstacles and trees close to each other, we recommend you to purchase the Landroid ACS option, an intelligent ultrasonic auto-pilot that makes your Landroid steer around obstacles instead of bouncing into them.

NOW ROLL YOUR SLEEVES UP. WHEN IT'S DONE IT'S DONE!

Now that you have planned the installation in every detail, you are ready to take action. Before starting, you may want to use your old mower for the last time to clean up your lawn and make the installation easier.

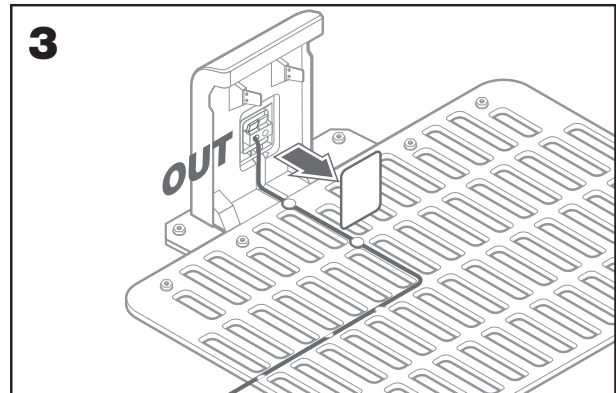
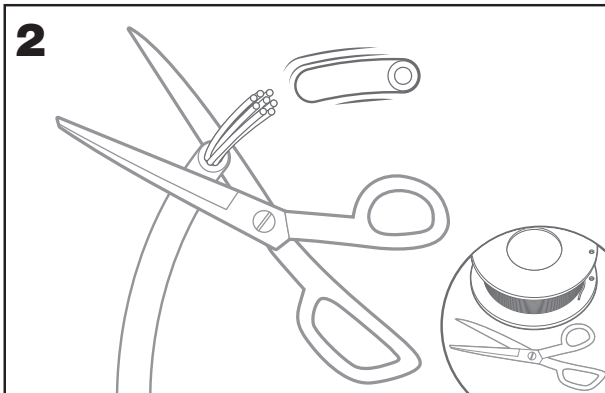
Fix the charging station in the selected location

- Secure the base to the ground by means of the supplied screws, using the supplied Allen key (fig. 1)
- If you position the base on hard surface, fix it with plug and screw fixings (not supplied)



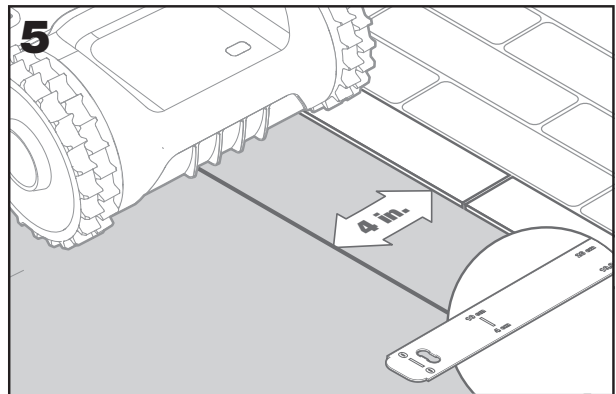
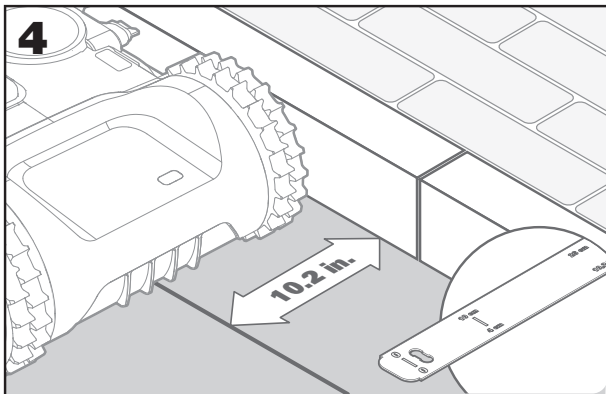
Connect one end of the boundary wire to the charging station

- Strip the end of the wire with a pair of scissors (fig. 2)
- Open the plastic door and insert the stripped end into the red left clamp (fig. 3)
- Pass the wire through the guide of the base, as shown in fig. 3



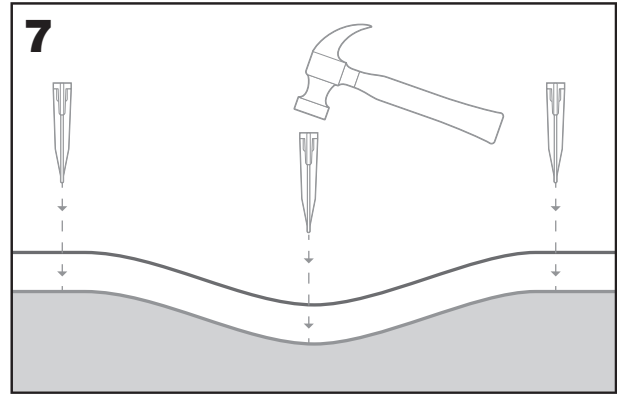
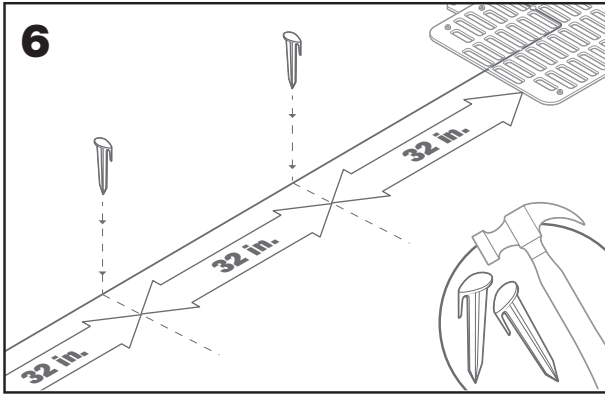
Lay the boundary wire around your lawn

- Use the supplied gauge to set the distance wire to edge
- If there is a step at the edge of your lawn, keep the wire at 10.2 in. from it (fig. 4)
- If there is no step, keep the wire at 10cm from the edge (fig. 5)



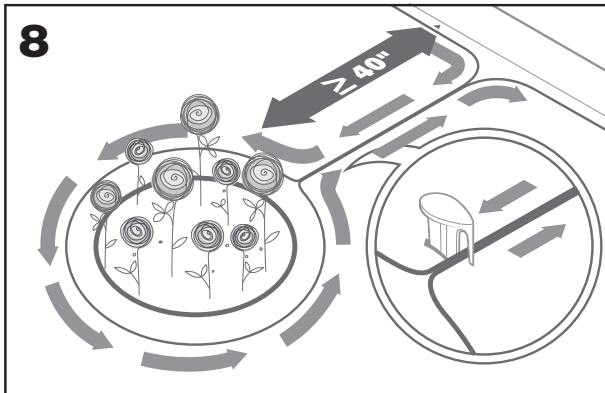
Secure the wire to the ground using pegs

- Place pegs at approximately 80cm to each other (fig. 6)
- Make sure the wire is always in close touch with the ground (fig. 7)



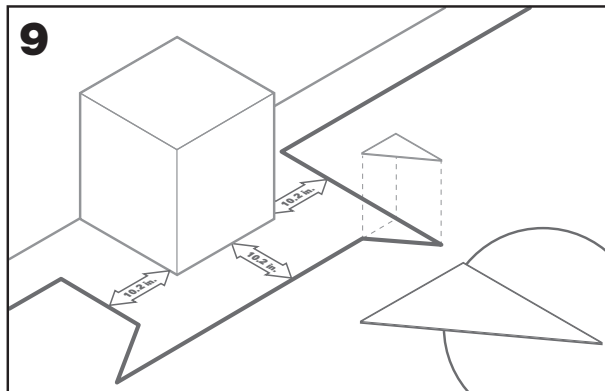
Lay perimeter islands, if needed

- Protect flower beds, ponds, tree roots and other areas by surrounding them with the boundary wire
- Depart the edge at a right angle to reach the area to be protected
- Surround the area with the wire, keeping 10.2 in. distance, until you close the island
- Always lay the wire clockwise. Failing to do so will make the mower drive into the island
- Return to the edge of the lawn following the same path



Bertelsen method: how to make perfect 90° angles with corners facing the lawn

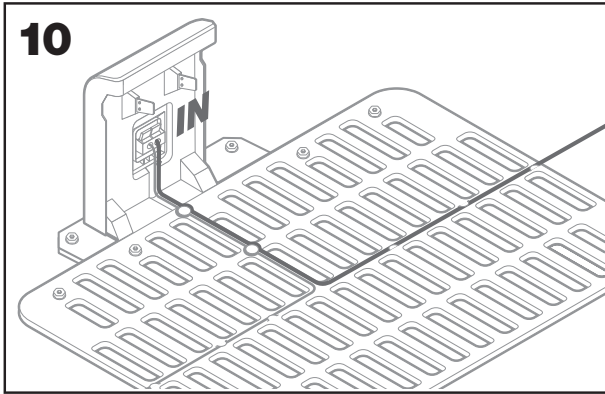
If there are 90 degree corners that face the inside of your lawn, use the Bertelsen ruler to help Landroid make perfect turns (and remove the risk that Landroid hits an obstacle on the border of the lawn whilst doing this maneuver).



Close the loop

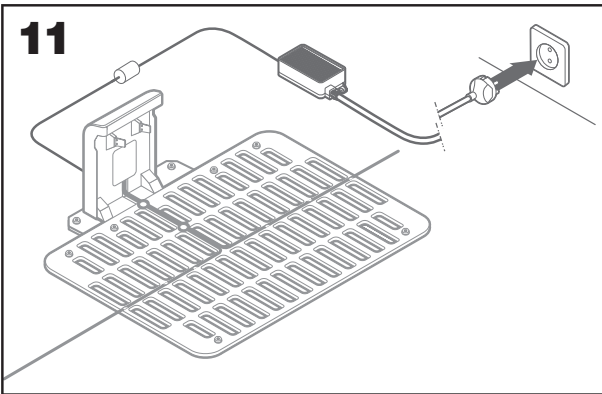
Once you have completed laying the wire on the perimeter of your lawn, you will arrive back to the charging base.

- Pass the wire through the guide in the base, up to the clamp (fig.10)
- Cut the exceeding wire and strip the end with a pair of scissors or wire cutters.
- Insert the stripped end into the black right clamp

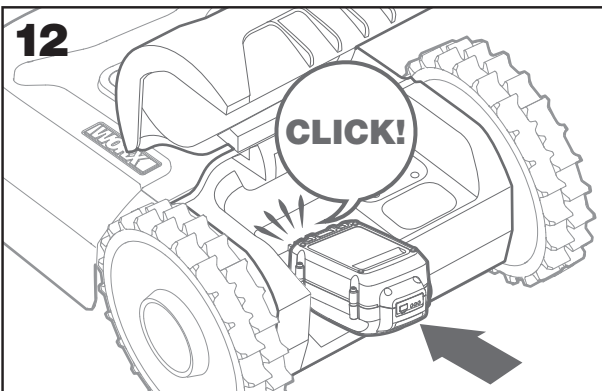
**Final steps**

There are only a few more steps to go:

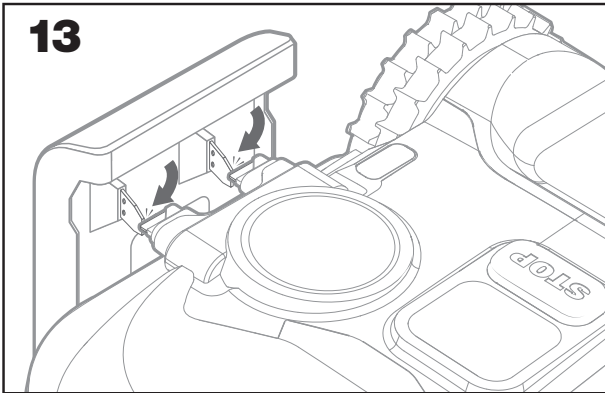
- Connect the charging station to the AC mains socket (fig. 11)
- If everything is fine, the LED will light green
- If there's a trouble in the loop, such as broken wire or wire ends not properly clamped, the LED will turn red. Check that everything is fine and see the FAQ session if the problem persists



- Open the rear of Landroid and insert the PowerShare battery into the slot until it clicks (fig.12)

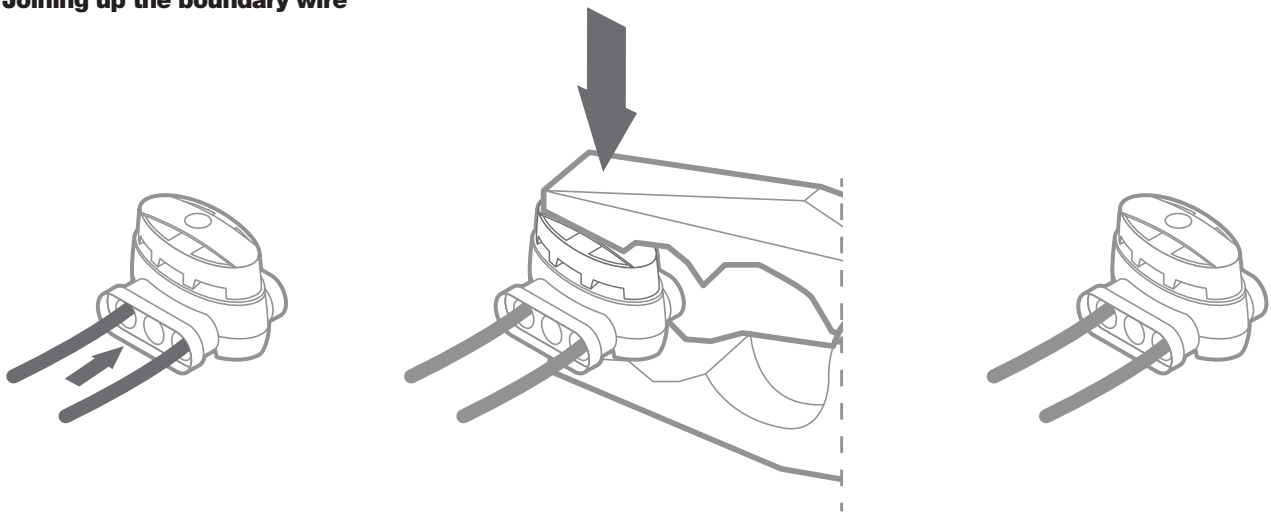


- Place Landroid on charge by making sure a good contact is established with the base (fig. 13). The LED will blink green; once the battery is fully charged, the LED will turn solid green.



Let Landroid charge the battery for a while. Whilst it is charging you may want to take a well-deserved break: get familiar with the following instructions, and connect Landroid to your Wi-Fi network.

Joining up the boundary wire



Landroid box includes two small, waterproof boundary wire connectors. They can be used for the following:

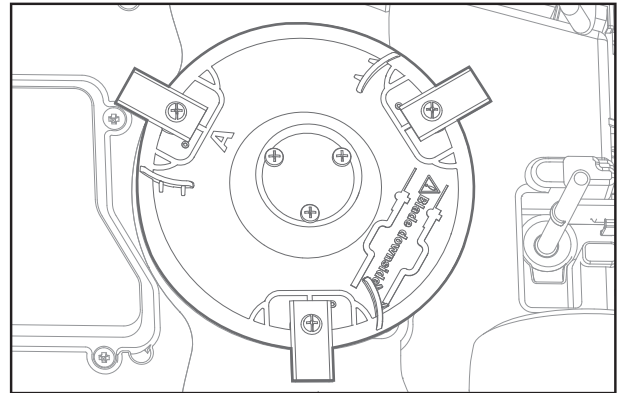
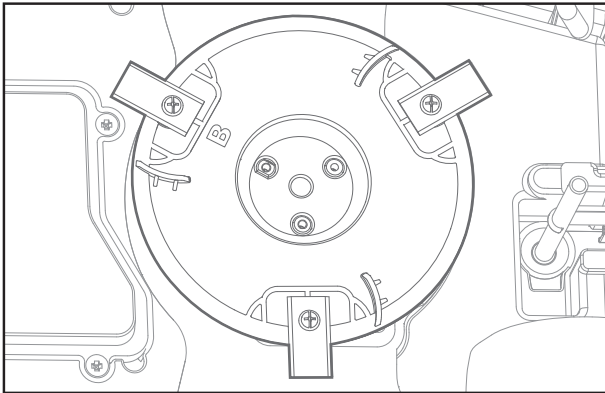
- When your lawn has a very long perimeter and you need extra boundary wire to complete the installation. Please do not exceed 1145 ft. of boundary wire: this is the maximum length of the boundary wire perimeter
- When the boundary wire is cut by accident and you need to fix it
- When you decide to rework your garden in the future and need to modify the original boundary wire installation

The connectors are waterproof and provide optimal electric connection.

- Insert both ends of the wire into any two of the three holes of the connector; no need to strip the wires
- Insert the wires fully until both wire ends are visible on the other side of the connector
- Press the connector firmly by using a pair of pliers

⚠ Attention: it is not recommended to simply splice the boundary wire with insulating tape or use a screw terminal block for connection. A broken circuit may occur after a period of time as soil moisture can oxidize the wire.

Cutting Height

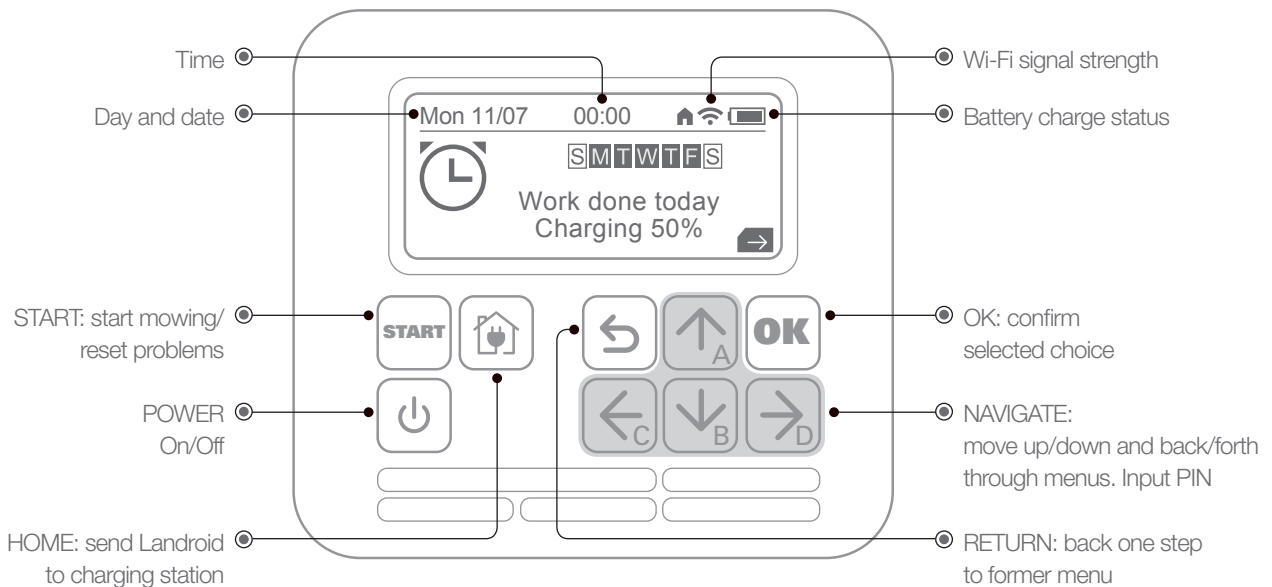


The blade disc can be assembled in two ways as per the grass height. The original cutting height can be adjusted from 1.6” to 3.1”. When turning over the Blade disc assembly, the cutting height can be adjusted from 2.4” to 3.9” with the blades on the bottom side of the blade disc.

**NOW FOR THE EXCITING BIT!
START LANDROID FOR THE FIRST TIME.**

Get familiar with the control panel

Landroid’s control panel provides the key functions in a minimalistic design. For advanced functions, the free Landroid app provides further options in a richer interface: your smartphone.



Start Landroid

- Place Landroid inside the boundary wire
- Press the On/Off button until the screen displays 'Welcome'
- The display prompts input of PIN
- Input the default PIN AAAAA by pressing the ↑ (A) key four times
- The screen displays 'PIN code OK'
- Press the START button, then press OK. Landroid will start mowing
- You can stop Landroid at any time by pressing the STOP button
- To send Landroid to the charging station, press the Home key, then press OK

Change PIN

To make your Landroid safer and more secure, change the default AAAAA PIN to a PIN of your choice.

- Turn Landroid on and unlock it by inputting the default PIN
- Press the → (D) key
- Select the padlock icon by using the → and ← Navigate buttons, then press OK
- Screen displays 'Change PIN code'. Press OK to start the procedure
- Screen displays 'Old PIN'. Input the default PIN AAAAA
- Screen displays 'New PIN'. Compose your new PIN using the ABCD keys
- You will be asked to repeat your new PIN
- If the two inputs match, the screen will confirm

⚠ Important

Write down the PIN and keep it in a safe place. For extra security, register your Landroid and record your PIN on the Worx website. We will store it safely and you will always be able to retrieve it from the My Landroid section of the website.

Please note that in case you lose your PIN, you will not be able to operate Landroid. In order to make Landroid as secure as possible, there is no reset procedure for the PIN that can be operated by anyone, including Landroid authorized service centers.

If you decide to sell your Landroid in the future, please restore the factory default AAAAA PIN before delivering it to the new owner, or give your personalized PIN to the new owner.

If you are delivering your Landroid to a Service Center, please let them know your PIN.

Changing the language setting

Landroid is pre-set to the language in the country where you bought it. However, if you want to change the language, please follow the following steps.

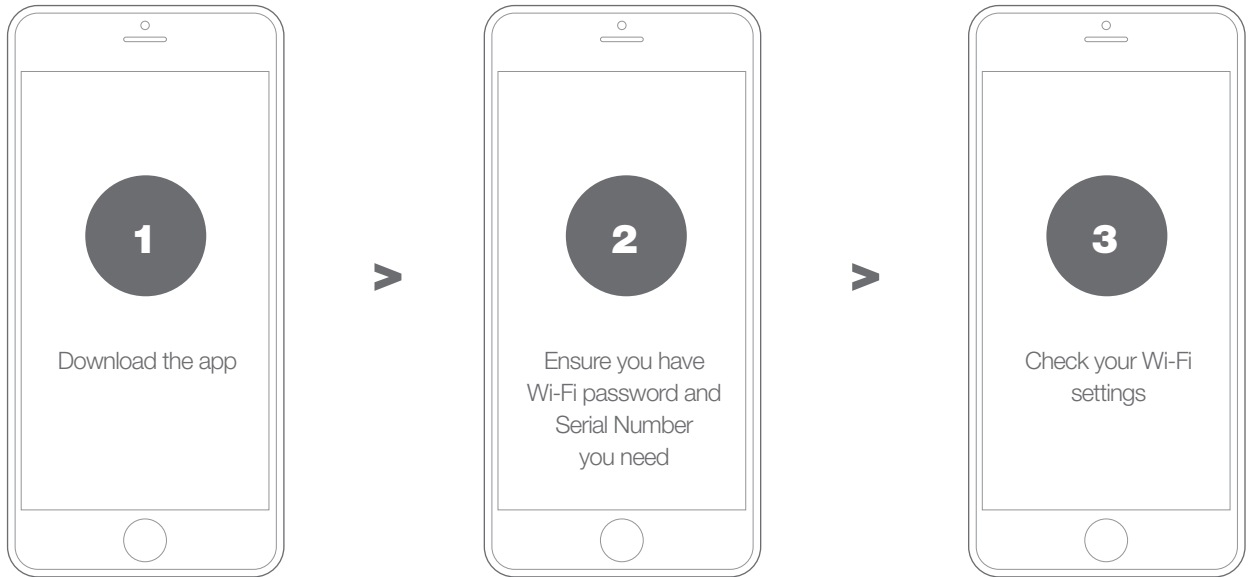
- Turn on Landroid and insert PIN
- Press the → (D) key; screen displays the menu
- Select the gear icon with the navigation keys, confirm with OK button
- At top of General Settings list is 'Language'
- Press OK to select
- Scroll down the menu to select your language
- Press OK to confirm

CONNECTING LANDROID TO THE INTERNET

Why connect Landroid

Landroid is an IoT (Internet of Things) device. To get full functionality out of your Landroid and keep it always updated to the latest software, it must be connected to the internet via your Wi-Fi network or by using Find My Landroid Accessory.

BEFORE YOU START



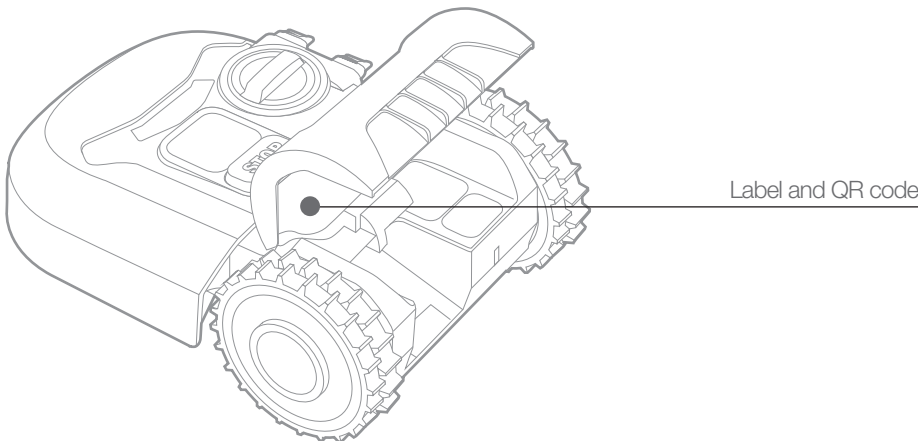
1. Download the app

Download the free Landroid app first. Get it from Android (4.4.2 or higher) or Apple (iOS 11 or higher) app stores



2. Ensure you have:

- Your WiFi network password
- Landroid Serial Number: it can be found in the label under the rear bonnet of the machine.
If you don't want to type the 20-digit Serial Number, input it by scanning the QR code with your smartphone's camera.



3. Check your Wi-Fi settings

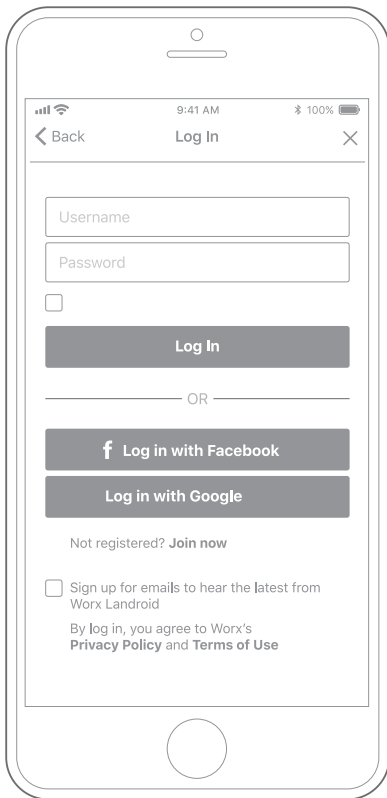
- Landroid works with 2.4GHz Wi-Fi signal
- Make sure your Landroid is in the same router environment as your smartphone
- Make sure the distance between your Landroid, smartphone and your router is as close as possible during connection

Tip: when Landroid moves to an area of your lawn with poor or no Wi-Fi signal, instructions sent from the app will only be executed when Landroid returns to an area with good signal.

HOW TO CONNECT LANDROID TO THE INTERNET

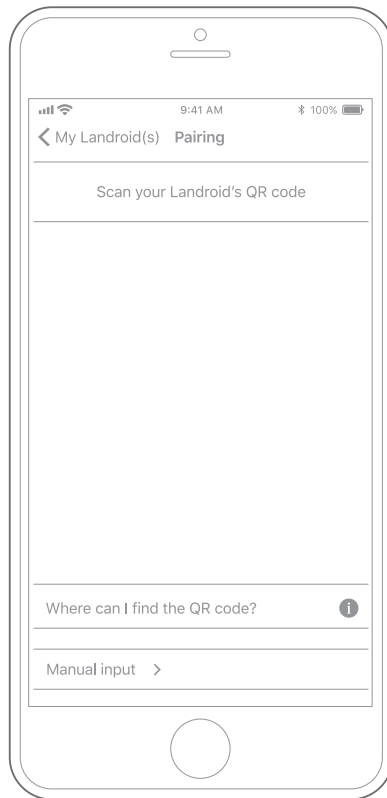
Launch the app and follow these instructions.

1. Register your account



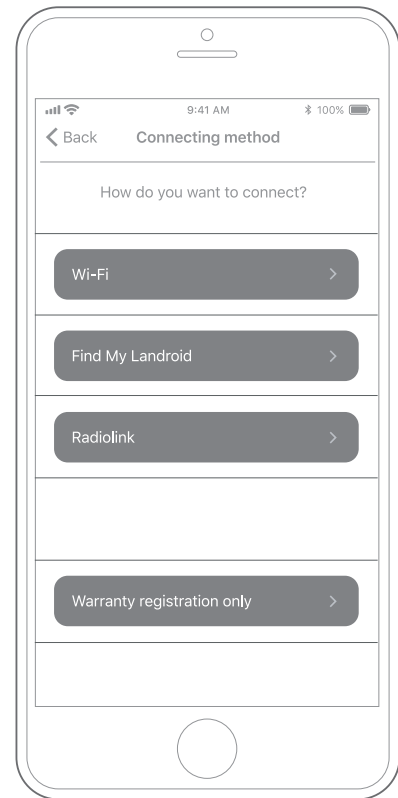
Register your account by typing your username and password, or logging in through Facebook or Google.

2. Input Landroid Serial Number



Register your Landroid by inputting the Serial Number manually or by scanning the QR code.

3. Choose your connection



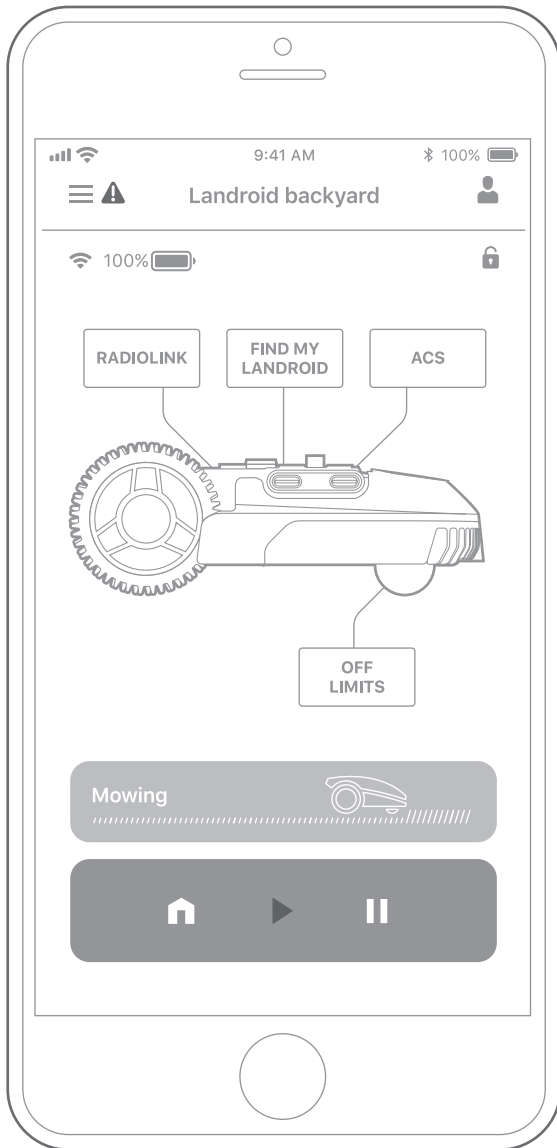
Select your Wi-Fi network or you can connect Landroid via Find My Landroid or RadioLink Options

If your WiFi does not cover the entire lawn you may consider the purchase of the Landroid Radio Link option, which extends the signal up to .6 miles in range.

As an alternative, you can purchase the Find My Landroid option that besides connecting Landroid to the internet via its build in SIM card, also allows you to track it in the unfortunate event it gets stolen.

LANDROID APP NOT A SIMPLE REMOTE CONTROL

Don't think at it as a remote control. The app is an integral part of the Worx Landroid advanced ecosystem based on cloud computing and artificial intelligence.



Thanks to the app's augmented reality feature, you can measure the exact area of your lawn. It's as easy as taking a walk along its border.

The app also lets you view statistics on what Landroid has been doing for you.

The app also notifies you when there's new software available for Landroid to download automatically over the air.

Once connected, Landroid can access its unique auto scheduling instructions from the cloud and is able to download the latest software to optimise its performance.

CONFIGURE LANDROID TO YOUR SPECIFIC NEEDS

You can supercharge your Landroid model with five unique options that can optimise the performance of Landroid to fit your unique garden and your individual needs. Here is a quick overview—for more information visit our website.



Intelligent obstacle avoidance with ultrasonic sensors.

- Conventional robotic mowers are blind. They bump into objects and can easily get lost. Daily bumps also damage your trees, plants and outdoor furniture. A Landroid fitted with the ACS option avoids all this: it steers effortlessly through obstacles
- Landroid uses automotive-grade ultrasonic sensors to detect obstacles. Using this object awareness, Landroid's auto-pilot technology steers to avoid them



The Off Limits option creates a boundary around areas of your lawn without the need to connect with your main boundary wire.

- You can use it to greatly simplify the installation of Landroid by removing the need to surround inner areas with the main boundary wire
- It's also great for making areas of your lawn temporarily off limits. For example, with seasonal equipment like a trampoline
- Or, you can make a permanent change to your lawn without disturbing your original Landroid boundary wire



Regular domestic Wi-Fi networks typically only cover a fraction of the entire garden— RadioLink solves this. It create a bomb-proof radio connectivity that extends as much as .3 miles from your Wi-Fi router.

- Unleash the full potential of your Landroid's advanced Artificial Intelligence with constant online connectivity thanks to the RadioLink option



Protect your Landroid from theft using GPS combined with a mobile signal. Thanks to its cellular module, this accessory also eliminates the need for Wi-Fi or RadioLink to stay connected to the internet at all times.

- If your Landroid is taken outside its geofenced area, you will get immediately notified on your smartphone via the Landroid app. You will be able to lock the robot and track it. The GPS module will work even if the main battery is removed
- Find My Landroid provides data connectivity with its multi-IMSI SIM card that works with a multitude of telecom providers, ensuring the best possible signal all the time

MAINTENANCE

Your Landroid works hard and needs to be cleaned and checked from time to time. This section of our guide helps you keep Landroid in good shape so it can last for years without troubles. Here's how to take care of your Landroid

KEEP IT SHARP



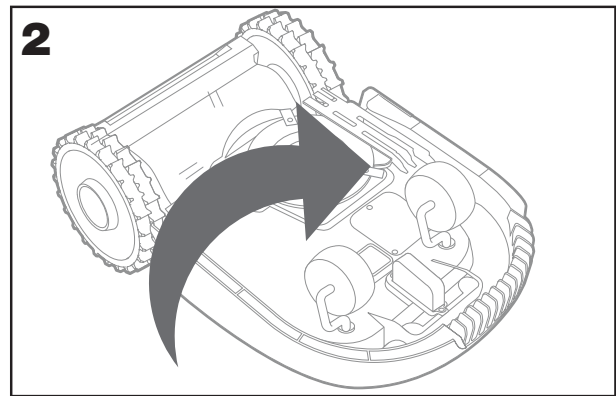
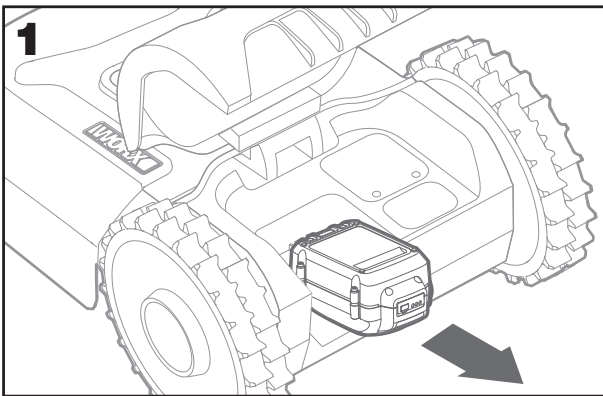
Landroid does not cut grass like other mowers. Its cutting blades are razor sharp on 2 edges and rotate in both directions for maximum cutting capacity.

- The blade turning disc makes a clockwise and counterclockwise rotation at random to use both cutting edges and minimize the frequency of replacing the blades
- Each cutting blade will last up to 2 months when it is programmed to mow every day
- Always check to see if the blades are chipped or damaged and replace them if they are
- When the cutting blades are dull and worn out, they should be replaced with the spare blades provided with your Landroid. Spare blades are also available at your nearest Landroid retailer and on worx.com

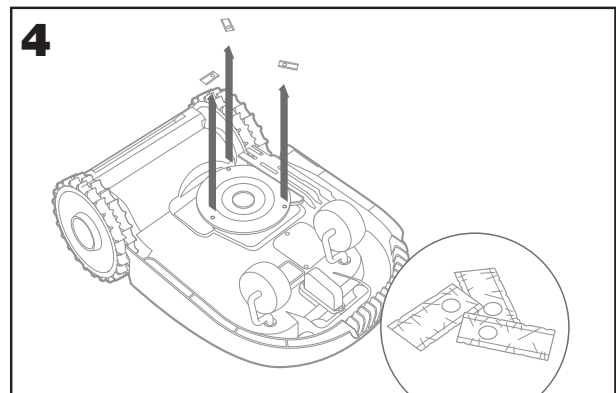
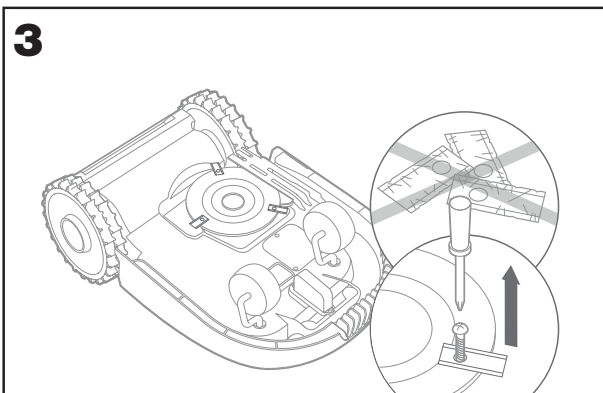
⚠ WARNING! Before cleaning, adjusting, or replacing the blades, turn your Landroid OFF and remove the battery. Always wear protective gloves.

Replacing the Blades

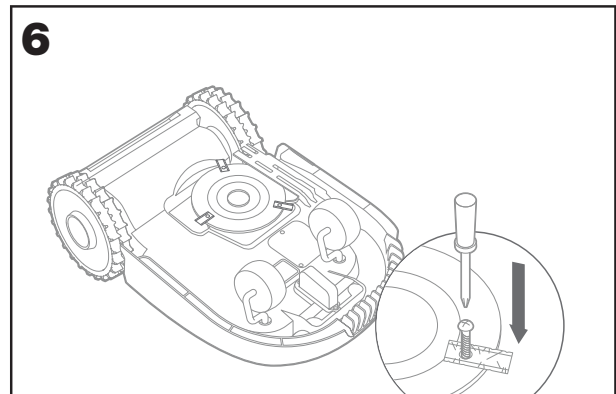
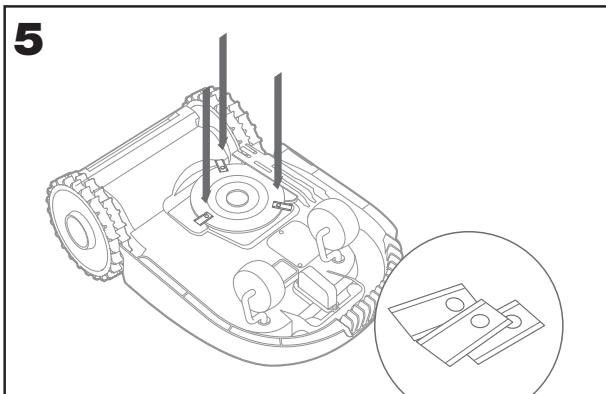
Remove the battery (fig. 1) and gently flip the Landroid over (fig.2)



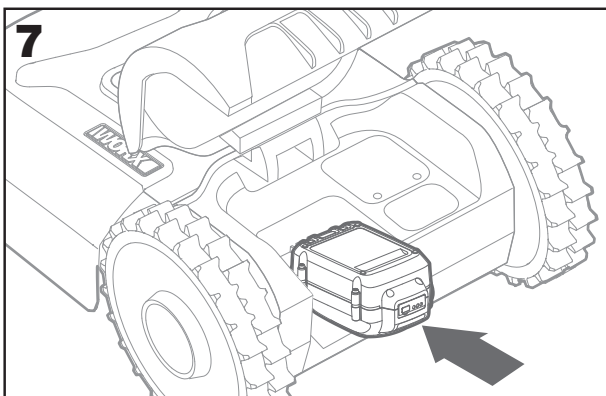
Take the screws off the blades with a screwdriver (fig. 3 - 4)



Firmly screw on the new blades (fig. 5 - 6)



Refit the battery (fig. 7)



- ⚠ Attention:** When fitting new blades, make sure you replace ALL the blades.
- Always use new screws when fitting blades. This is important to ensure blade retention and balance the blade turning disc. Failure to use new screws could cause serious injury
 - Important: After screwing the blade to the blade disc, make sure the blade is able to spin freely

KEEP IT CLEAN



Your Landroid should be cleaned regularly. This helps keep it in good condition, especially removing dirt, debris and the build-up of grass from daily mowing. Turn Landroid off before cleaning it. For extra safety, remove the battery.

- ⚠ WARNING!** DO NOT use a hose, high pressure washer or otherwise pour running water on your Landroid. High pressure water can go inside the sealings and damage electronic and mechanical parts.

Cleaning the upper body

- Clean with a spray bottle filled with water. Don't use solvents or polishers
- Use a brush or a clean cloth to remove built-up dirt

Cleaning the Bottom

- Flip Landroid upside down
- Remove debris and grass clippings using a brush to remove
- Be careful not to touch the blades with your hands. Wear gloves for protection
- Clean the blade disc, the chassis and the front wheel(s) thoroughly with a soft brush or moist rag

- Rotate the blade disc to ensure it rotates freely. Remove any obstructions. Remove any lodged debris so that they don't cause a crack in the blade disk. Even the tiniest crack effects mowing performance
- Check the blades spin freely around the fixing screws. Remove any obstructions

Cleaning the drive wheels

- Remove mud from wheels with a brush in order to ensure good grip of the tread

Clearing the charging contacts

- Clean the contact pins located on the charging base and the charging strips located on the Landroid using a cloth
- Periodically remove any build-up of grass clippings or debris around the contact pins and the charging strips to ensure Landroid successfully charges each time

KEEP IT CHARGED



The heart of Landroid is its 20V Li-Ion Worx Powershare Battery.

- For the proper storage of the battery, make sure it is fully charged and kept in a cool dry place between -68°F~140°F
- The recommended Landroid operation temperature is between 32-131°F
- The life-span of Landroid's battery depends on hours of usage and the length of use per day during the mowing season

Battery maintenance during storage

- Landroid can be charged manually without the boundary wire
- Connect the charging base to a suitable power supply. The green light on the charging base will turn on
- Manually dock Landroid into the charging base while Landroid is powered off
- The green light on the charging base will flash and Landroid will begin to charge
- When the battery is fully charge, the green light will turn solid green

KEEP IT STORED OVER THE WINTER



Although Landroid is designed and built to survive the most severe weather conditions, we recommend storing it in your shed or garage during the winter. To prepare it for winter hibernation:

- Clean it thoroughly
- Fully charge the battery
- Turn the power off

Getting back to work in the Spring

When it is time to re-start Landroid for the new season, please perform the following checks:

- Update the time and date settings via the app
- If you notice signs of oxidation on the charging contacts of Landroid and the charging station, clean these with a fine grade emery cloth
- Full charge Landroid's battery before operating

KEEP IT UPDATED



Landroid is always improving and new software versions are made available for free. Always keep Landroid software updated to make the most of your machine.

Over-the-Air (OTA) updates

If your Landroid is connected to your Wi-Fi network, you will be notified that new software is available via the app. Once you confirm, the update will happen automatically Over-the-Air.

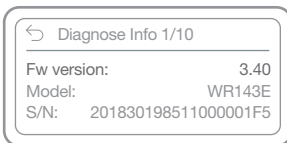
Check which software version you have

The software version is always displayed on the left hand side of the display when you start up Landroid. You can also easily check which software your Landroid has via the app.



You can also check it by going into the General Settings menu.

- Press OK to select the gear icon
- Scroll down the menu with the down arrow key (B) to Diagnose option
- Press OK and you will see the Software version displayed again



Manual updates

- If your Landroid is not connected to your Wi-Fi network, you can still update it to the latest software version with a USB stick
- Regularly visit the Worx Landroid website to check if any new version is available. If you subscribed to Landroid email list, you will be notified when a new version is available
- Download the latest software version at our website
- Unzip the file on your computer
- Take a blank USB stick formatted in FAT32
- Save the unzipped Landroid software to the USB stick
- Place Landroid on a secure and level surface
- Turn off Landroid
- Go to the rear of the Landroid to access the USB port. See **page 7** of this manual to locate it
- Insert the USB stick in the port
- Place the Landroid on the lawn again, inside the working area delimited by the boundary wire
- Turn on Landroid
- Without lifting Landroid, remove the USB stick according to the screen tips
- The update will begin automatically and may take a while. Landroid will restart automatically after the update is completed

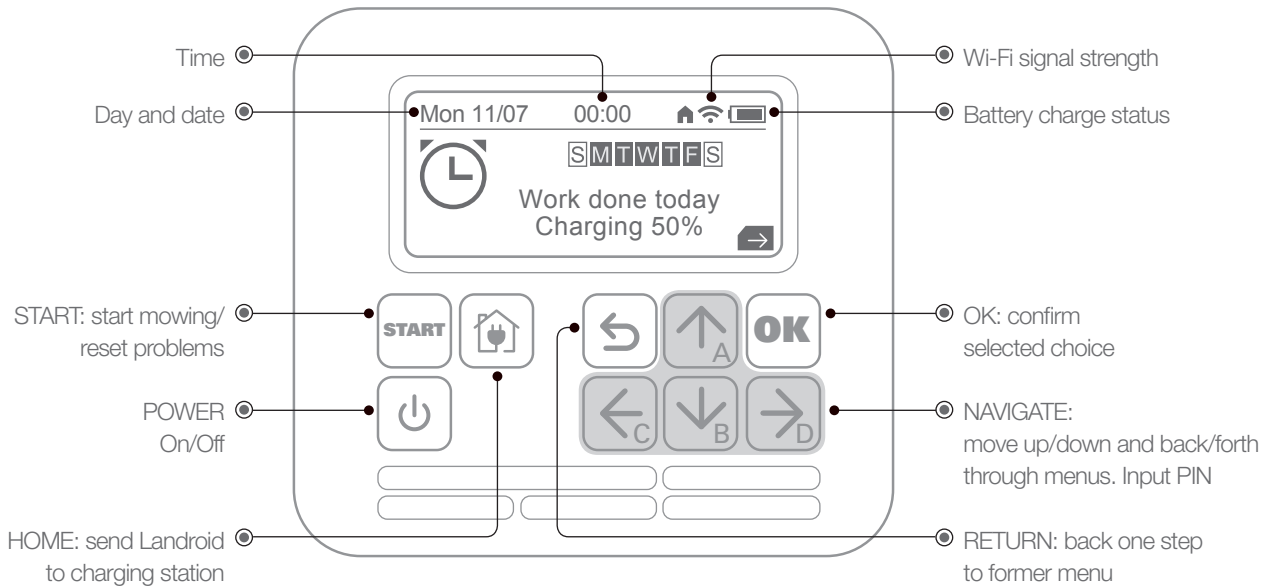
NOTE: if Landroid is not inside the boundary wire, the message ‘Outside working area Press START to reset’ will be displayed. Make sure Landroid is within the boundary when restarting Landroid.

LANDROID CONTROL PANEL

Advanced functions via the built-in interface

Despite its minimalistic design, you can set several advanced functions through the built-in control panel.

However, for the best user experience we recommend you use the free Landroid app to do this, given its much richer and intuitive interface.



Choose your time format of preference – 24h or 12h (AM/PM)

- Turn on Landroid and insert PIN
- Press the → (D) key; screen displays the menu
- Select the gear icon with the navigation keys, confirm with OK button
- Scroll down to 'Time format' using the ↑(A) and ↓(B) keys. Press OK to confirm
- Select your option between '24 hour' and '12 hour' using the ↑(A) and ↓(B) keys
- Press OK to confirm your option

Choose your Date format of preference

- Turn on Landroid and insert PIN
- Press the → (D) key; screen displays the menu
- Select the gear icon with the navigation keys, confirm with OK button
- Scroll down to 'Date format' using the ↑(A) and ↓(B) keys. Press OK to confirm
- Choose among the three options YYYY/MM/DD, DD/MM/YYYY and MM/DD/YYYY using the ↑(A) and ↓(B) keys
- Press OK to confirm your option

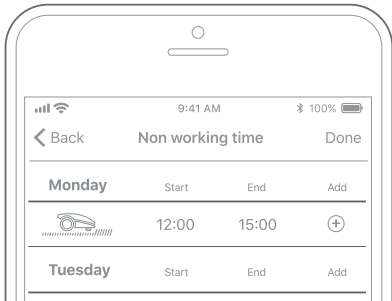
Date and Time setting

- Turn on Landroid and insert PIN
- Press the → (D) key; screen displays the menu
- Select the gear icon with the navigation keys, confirm with OK button
- Scroll down to 'Set date & time' using the ↑(A) and ↓(B) keys. Press OK to confirm
- Date is highlighted
- By pressing OK, the first digit highlights
- Use the ↑(A) and ↓(B) keys to change the highlighted digit
- Use the ←(C) and →(D) arrows to select other digits of the date
- Use the ↑(A) and ↓(B) keys to input a new value
- Press OK to confirm the date
- Move down to time with the ↓(B) key. Time gets highlighted. Press OK to select
- Change the time with the same procedure as for the date. Press OK to confirm
- Time and date have now been set

ADJUSTING THE MOWING TIME

Landroid creates its own automatic schedule and working time based on the size of your lawn and other factors. Our recommendation is not to manually adjust these settings. However, there are 3 ways to adjust the mowing time if you want to.

1. Use the app and follow the simple on-screen menus



2. Adjust the working time percentage via Landroid's control panel

Depending on the growth rate of your grass, you may want Landroid to work a little harder or a little less. You can adjust the working time in percentage increments and Landroid will recalculate its working time automatically.



- Turn on the mower and insert PIN code
- Press the \uparrow (A) key or the \downarrow (B) key to adjust the working time in 10% increments
- Landroid will now automatically calculate a revised working time

3. Specifically adjust each day

Landroid is factory set to automatically start at 09:00am each day, but you might want to adjust this. Here's how.

- Turn on Landroid and insert PIN code
- Press the \rightarrow (D) key
- Scroll with the \leftarrow (C) and \rightarrow (D) keys to the clock icon and press OK to confirm
- Now you are in 'working time' menu
- Select 'Auto Work Time' and press OK
- Select size of your lawn in m² by scrolling with the \uparrow (A) and \downarrow (B) key and choosing the right size
- Press the Return key to go back to 'working time' menu
- Now select 'Customise work time' option, press OK
- Days of the week will appear with working time in hours and minutes
- Now select a day of the week, press OK
- Now a working time menu will appear for that day
- Press OK to make the time digits flash
- Select new start time in hours and minutes by pressing the \leftarrow (C) and \rightarrow (D) arrows. You can change hour or minute time values using the \uparrow (A) and \downarrow (B) keys
- Then select new stop time in hours and minutes. Then press OK to confirm
- When successful you will see the total working time for that day has been updated based on the start and stop times that you have input
- To change the start time for other days of the week, go back to the previous customize working time menu and repeat the steps above

Please note that because Landroid is autonomous, if you select 'Auto Work Time' you will reset any customized working times you might have programmed earlier.

Rain Delay Change

If you live in an area of high rainfall, it might be useful to adjust the rain delay setting to allow Landroid to operate when it is wet. To do this follow these steps:

- Turn on Landroid and insert PIN code
- Press the → (D) key and press OK to select the gear icon into the 'General Settings' menu
- From the 'General Settings' menu go to 'Rain start delay' option by pressing the ↓(B) key, then press OK
- You will now see the default rain delay of 180 min. Press OK to edit this timing
- You can use the ←(C) and →(D) arrows to select the digits and ↑(A) and ↓(B) arrows to increase or decrease the rain delay
- To remove the rain delay completely, select 000 min.
- Then press back button to exit

Setting up different zones

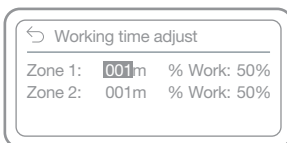
Landroid is designed for mowing complex lawns evenly. Nevertheless, sometimes you might need to adjust the working time in each zone. To set this feature up, first you must define these different zones of your garden (up to a maximum of 4) and then you can adjust the working time in each one. To define each zone follow these steps:

- Start with Landroid in its charging base
- Turn on Landroid and insert PIN code
- Press the → (D) key and select clock icon and press OK to confirm
- Now you are in working time menu
- Scroll down to 'Define zones' option. Press OK
- You can select up to 4 zones
- Select the number of zones you want and press OK
- Now the display prompts you to press START to set up the zone
- As soon as you press START, the mower will start to follow the wire
- Press STOP as Landroid reaches the zone you want to mark as Zone 1
- Save your choice by selecting YES
- Press START to make Landroid reach the following zone, then press STOP when it reaches zone 2.
- Repeat the steps above if you need more zones to be defined

Customise working zones

To customise the working time in each zone:

- Turn on Landroid and insert PIN code
- Press the → (D) key
- Scroll with the → (D) key to the clock icon and press OK to confirm
- Now you are in working time menu
- Scroll down with ↓(B) key to 'Working time adjust' and press OK
- Numbered zones will appear
- Zone 1 will have a prompt to input the working area in m² and the working time percentage for this zone
- Use the ↑(A) and ↓(B) arrows to input the working area in m² then press OK
- Then the cursor moves to the working percentage
- Here you can adjust the percentage
- You can then scroll to the next zone using the ←(C) and →(D) arrows to adjust the size and working time of the Zone 2
- Then press back button to exit
- Please note the sum of the percentages of all zones must equal 100%



This section contains a guide on operation and potential error messages Landroid displays. There is also a troubleshooting section at the end that is designed to help you understand and solve any issues.

OPERATION MESSAGES

MESSAGE	LANDROID ACTION
Cutting grass	Cutting grass according to the mowing schedule.
Raining	The rain sensor detects water. Landroid will return to the charging base and stay there for the time you have programmed it to do so. When dry, Landroid will automatically begin the rain delay countdown and then return to mow. If you want Landroid to mow before this, simply turn it off then on again, but only when the rain sensor is dry, or you can remove the rain delay completely by setting the rain delay time to zero.
Going home	Needs to recharge—during the journey to the base, the cutting blade is stopped in order to save energy.
Charging	'Charging' and charge percentage are displayed.
No working time scheduled	Stand-by, needs to be programmed as desired.
Not working today	Stand-by, will start according to mowing schedule.
Work done today	
Zone searching	According to the setting of 'Customize work zone', Landroid is searching a certain area to mow.
Charge complete	Landroid has completed its charging.
Emergency charge	Landroid is charging in a powered-off state.

ERROR MESSAGES

Sometimes things can go wrong. Fortunately Landroid is smart enough to tell you if it is encountering an issue, so you can fix it. If in doubt, please visit our website where you will find useful videos and further support.

MESSAGE	CAUSE	ACTION
Outside working area! Press START to reset.	Landroid cannot find the boundary wire signal.	<p>1. If Landroid is actually outside of its working area: turn power off, take Landroid inside the working area, turn the power on and press start.</p> <p>2. If Landroid is inside its working area check if the LED on the charging base is solid green. If red, check if the boundary wire is properly connected to the charging base and that the base is connected to a suitable power supply. If they are properly connected, the boundary wire terminals are clamped incorrectly and must be reversed.</p>
WRONG PIN! Please retry.	PIN code is wrong.	Input the correct PIN or re-set your PIN.
Blade motor fault! Press START to reset.	Blade disc is blocked by an object, e.g. a branch.	<p>Turn power off.</p> <p>Turn Landroid upside down and check if there's anything preventing the blade disc from rotating and remove any obstruction.</p> <p>Turn Landroid upright. Turn power on. Press start.</p>
	Blade is over-loaded by thick dense grass.	<p>Turn power off.</p> <p>Take Landroid to an area with short grass or adjust the cutting height to a higher setting.</p> <p>Turn power on. Press start.</p>
Wheels motor fault! Press START to reset.	Wheel motor is blocked in some way.	<p>Turn power off and take Landroid to an area free from obstacles. Turn power on. Press start.</p> <p>If the error message is still displayed, turn power off. Turn Landroid upside-down and check if there's anything preventing the wheels from rotating.</p> <p>Remove any obstruction, turn Landroid upright, turn power on.</p>

Upside down! Press START to reset.	This could have happened when Landroid came into contact with a sloping surface which made it overturn.	Turn Landroid upright and remove any obstacle that might have caused Landroid to overturn.
Mower trapped! Press START to reset.	Landroid is trapped.	<p>Turn power off.</p> <p>Take Landroid to an area of your lawn free of obstacles, then turn power on. Press start.</p> <p>If the error message is still displayed: turn power off, turn Landroid upside-down. Check if there is anything preventing the wheels from rotating.</p> <p>Remove any obstruction, turn the Landroid upright, turn power on.</p>
Mower lifted! Press START to reset.	Landroid is lifted up.	<p>Turn power off.</p> <p>Take Landroid to an area clear of obstacles, turn power on. Press start.</p> <p>If the error message is still displayed: turn power off, turn Landroid upside-down and check there's anything that can cause Landroid to be lifted up.</p> <p>Remove any possible object, turn Landroid upright, turn power on.</p>
Battery voltage too low! Please change battery.	Battery exhausted.	<p>In this case you must turn Landroid off and place it in the charging base, then 'Emergency charging' will be displayed and it will start charging.</p> <p>If the battery error still persist, your battery is damaged and need to be changed.</p>
Wire missing! Press START to reset.	Machine can't find boundary wire signal.	<p>If the LED light is red, check if the boundary wire is well connected to the clamps on the charging base.</p> <p>If the problem persists, check that the boundary wire hasn't been cut.</p>
Battery temperature out of range! Please wait.	Temperature is too high (more than 131°F) when charging.	Place the charging base in a shady area or wait until the temperature has cooled down.

<p>Can't find charge station press START to reset.</p>	<p>Boundary wire is beyond its maximum length (1145 ft. or machine doesn't have enough power to go back to charging station.</p>	<p>Take Landroid to the charging station.</p>
<p>Mower locked!</p>	<p>With the 'Lock Function' enabled, if your Landroid does not receive a signal from your Wi-Fi router for 3 days, then it gets locked as a security measure.</p> <p>This could be because your router lost its power or because you changed your Wi-Fi router or network provider.</p>	<p>Please reconnect Landroid to the Wi-Fi network it has been originally paired with.</p> <p>If this is not possible, contact Customer Service.</p>

NOTES

- Before turning power on, always check Landroid is inside its working area. If not, the message "Outside working area! Press START to reset" will be displayed. This message is also displayed when Landroid is partly but not completely inside its working area
- If for any reason—i.e. a party, children playing...—you want to park your Landroid in the charging base: press home then OK. Landroid will go to its base and stay there. Please note Landroid will now wait until the next scheduled mowing session. If you want to re-start it at anytime, press start then OK to start your Landroid
- If an error repeatedly occurs in the same area of your lawn, you might have a problem with the boundary wire so please refer to the installation instructions and check your set up is correct with its help
- If your lawn is divided in two separated areas, connected by a corridor less than 3 ft. wide, one of which is not provided with the charging base: when Landroid runs out of charge, take it manually to the charging base
- If Landroid runs abnormally once in a while, please reset it by turning it off and removing the battery for 30 seconds, then restart it. If the problem cannot be solved, please contact our Customer Service for help

TROUBLE SHOOTING

If your Landroid does not work correctly, follow the trouble shooting guide below. If the fault persists, contact Customer Service.

SYMPTOM	CAUSE	SOLUTION
The LED light on the charging base does not turn on.	There is no power.	Check the charging base is connected properly to the charger and the charger is connected to a suitable power supply.
Red light on the charging base.	The boundary wire isn't connected.	Check that the boundary wire has been connected correctly to the charging base. Check there are no breaks in the boundary wire.
Landroid turns on, but the blade disc does not spin.	Landroid is searching for the charging base.	This is normal: when Landroid needs to recharge, the blade disc does not rotate while it is searching for the charging base automatically.
Landroid vibrates.	The blade disc is unbalanced. Blades may be damaged.	Check the blades and replace them if damaged. Remove debris and foreign objects from the blades and blade disc.
Grass is being cut unevenly.	Landroid does not work enough hours per day to cut the grass.	Try adding more hours to the mowing schedule.
	Mowing area is too big for the size of Landroid you have.	Try decreasing the size of the mowing area.
	The blades are dull and not sharp.	Change all the blades and screws in order to balance the blade disc.
	The cutting height is set too low for the length of the grass.	Raise the cutting height and then gradually lower.
	Grass or another object has wrapped around the blade disc.	Check the blade disc and remove any grass or other objects that might prevent it spinning.
	There is a build-up of grass in the blade disc or motor frame box.	Make sure the blade disc rotates easily. If need be, you may take off the blade disc and then remove the debris.
Your Landroid is inside its working area and the boundary wire is connected, but the display says 'Outside working area! Press START to reset'	The boundary wire ends are clamped incorrectly.	Reverse the boundary wire ends and reconnect to the charging station.

The charging time is far more than the rated charging time.	Poor connection caused by debris on the charging strip.	Clean the contact pins located on the charging base and the charging strip on Landroid using a cloth.
	The charging protection program is activated due to high temperature.	Place the charging base in a shady area or wait until the temperature has cooled down.
The mower does not charge.	There is no power.	Check the power cord is connected properly to the charger and the charger is connected to a suitable power supply. Make sure both the charging strips on the mower touch the center of the contact strips on the charging base.
Landroid is starting to have shorter run-times between charges.	Something is clogging in the blade disc creating friction and increasing power consumption.	Take off the blade disc and clean it. Maybe the grass is too high and too thick.
	Landroid is shaking heavily because the blade disc is unbalanced.	Check the blade disc and blades, remove debris and foreign objects from the blades and blade disc. Replace the blades with a new set.
	The battery may be exhausted or old.	Replace battery.
Landroid is not operating at the correct time.	The clock is not set to the correct time.	Set the clock to the correct time.
	Programmed cutting times for Landroid are not correct.	Change the time settings for the mower to start and stop.
Landroid cannot correctly dock with the charging base.	Environmental influences.	Restart Landroid.
	Poor connection caused by debris on the charging strip.	Clean the contact pins located on the charging base and the charging strip on Landroid using a cloth.
The green light on the charging base turns on before charging is complete.	The charging base is overheating. the display says 'Battery temperature out of range! please wait'.	Place the charging base in a shady area or wait until the temperature has cooled down.
Landroid wheels skid or repeatedly slip.	Foreign obstacles, such as twigs and branches may be lodged under Landroid.	Remove foreign objects from underside of Landroid.
	The lawn is too wet.	Wait until lawn has dried.

<p>Landroid runs outside the boundary wire.</p> <p>Landroid does not mow an area within a boundary wire zone.</p> <p>Landroid reverses or rotates erratically near the boundary wire.</p>	<p>The boundary wire of another Landroid or robotic mower is positioned too closely.</p>	<p>Ensure at least 3 ft clearance is provided in between your boundary wire and that of your neighbor.</p>
	<p>In wet conditions, the boundary wire electric signal may leak where the wire has been joined or repaired incorrectly.</p>	<p>Check boundary wire joints. Insulate to provide a fully waterproof connection.</p>
	<p>There is boundary wire electric signal leakage due to broken insulation.</p>	<p>Repair damaged boundary wire with the wire connectors supplied.</p>
<p>Landroid slips out of its working area going down a hill.</p>	<p>Low grip of Landroid drive wheels.</p>	<p>Please check the wheels are clean and free of mud in order to have the maximum grip possible.</p>
<p>Landroid operative system crashes when charging or on standby.</p>	<p>Software or display fault.</p>	<p>Restart Landroid.</p>
<p>Landroid shuts off when docking in the charging base.</p>	<p>Landroid fails to charge due to over temperature protection and is powered off.</p>	<p>Place the charging base in a shady area or wait until the temperature has cooled down.</p>
	<p>Poor connection.</p>	<p>Check the LED light on the charging base.</p> <p>Check the connection between the contact pins located on the charging base and the charging strip.</p>
<p>Landroid stops in the working area.</p>	<p>There is an obstacle in the working area.</p>	<p>Remove the obstacle from Landroid's working area.</p>
	<p>The cutting height is set too low for the length of the grass or the grass is too dense.</p>	<p>Raise the cutting height and then gradually lower.</p>
	<p>The extended boundary wire should not exceed 1145 ft or it may cause signal problem.</p>	<p>Reduce the length of the boundary wire.</p>
	<p>The distance between the center of the lawn and the boundary wire should not exceed 82 ft or it may cause signal attenuation.</p>	<p>Reduce the distance between the center of the lawn and the boundary wire perimeter within 82 ft.</p>
<p>Landroid flips over.</p>	<p>There is an inclined obstacle on the lawn.</p>	<p>Exclude the obstacle from Landroid's working area.</p>

<p>Landroid fails to connect to the internet.</p>	<p>Please check your router has the correct settings.</p>	<p>Make sure your router is 2.4GHz. If your router has two settings, please enable the 2.4GHz band.</p> <p>Make sure your router is set to 802.11 mode and wireless setting is b/g/n mixed.</p> <p>Make sure your router has the SSID Broadcast function enabled when you connect the machine with the app. You can close it after you connect successfully.</p> <p>Make sure DHCP function is enabled.</p> <p>If you changed your Wi-Fi network, you need to connect Landroid to the new network.</p> <p>If you have a "Fritz!box" router, please make sure activate "Allow communication between devices in same network" in the settings.</p>
---	---	--

Environmental protection

Waste electrical products should not be disposed of with household waste. Please recycle where facilities exist. Check with your Local Authority or retailer for recycling advice.

TECHNICAL DATA

SPECIFICATIONS	WR140 WR143	WR150 WR153
Rated voltage	20V Max.*	
No load speed	2800/min.	2200/min
Cutting area	1/4 acre	1/2 acre
Cutting diameter	7"	8.7"
Cutting height	1.9" - 3.5"	1.6"-3.9"
Cutting height positions	5	
Battery type	Lithium-ion	
Battery model	WA3578.3	
Charging time approx	90 min.	
Charger model	WA3752	
Charger rating	Input: 120 V~ 60 Hz, 90 W, Output: 20 V, 3.0 A	
Machinery weight	21.16 lbs	22.9 lbs
Protection degree	III	
App	Yes	
Frequency band of embedded WLAN module	2.14GHz-2.484GHz	
Max. radio-frequency power of embedded WLAN module	802.11b:+16±2dBm(@11Mbps) 802.11g:+14±2dBm(@54Mbps) 802.11n:+13±2dBm(@HT20,MCS7)	

*Voltage measured at no load. Initial battery voltage reaches maximum of 20 volts. Nominal voltage is 18 volts

TABLE DES MATIÈRES

Bienvenue	
Page 42	Information de contact
Familier avec Landroid	
Page 43	Qu'y a-t-il dans votre boîte?
Page 45	En savoir plus sur Landroid
Page 47	Comment fonctionne Landroid
Début	
Page 49	Planification
Page 52	Installation
Page 56	Démarrer Landroid
Page 58	Connectez Landroid à Internet
Page 60	Utilisation de l'application
Page 61	Option Landroid
La maintenance	
Page 62	Restez affûté
Page 63	Gardez-le propre
Page 64	Assurer la bonne batterie
Page 64	Garder stocké pendant l'hiver
Page 64	Restez à jour
Référence rapide	
Page 66	Programmation manuelle
Page 69	Messages d'opération
Page 70	Message d'erreur
Page 73	Solution de problèmes
Page 77	Données techniques

Merci d'avoir acheté la tondeuse robotique Worx Landroid.

Entièrement autonome, entièrement configurable, flexible et efficace, Landroid tondre la pelouse pour fournir la meilleure pelouse. Ce manuel d'utilisation vous aidera à configurer.

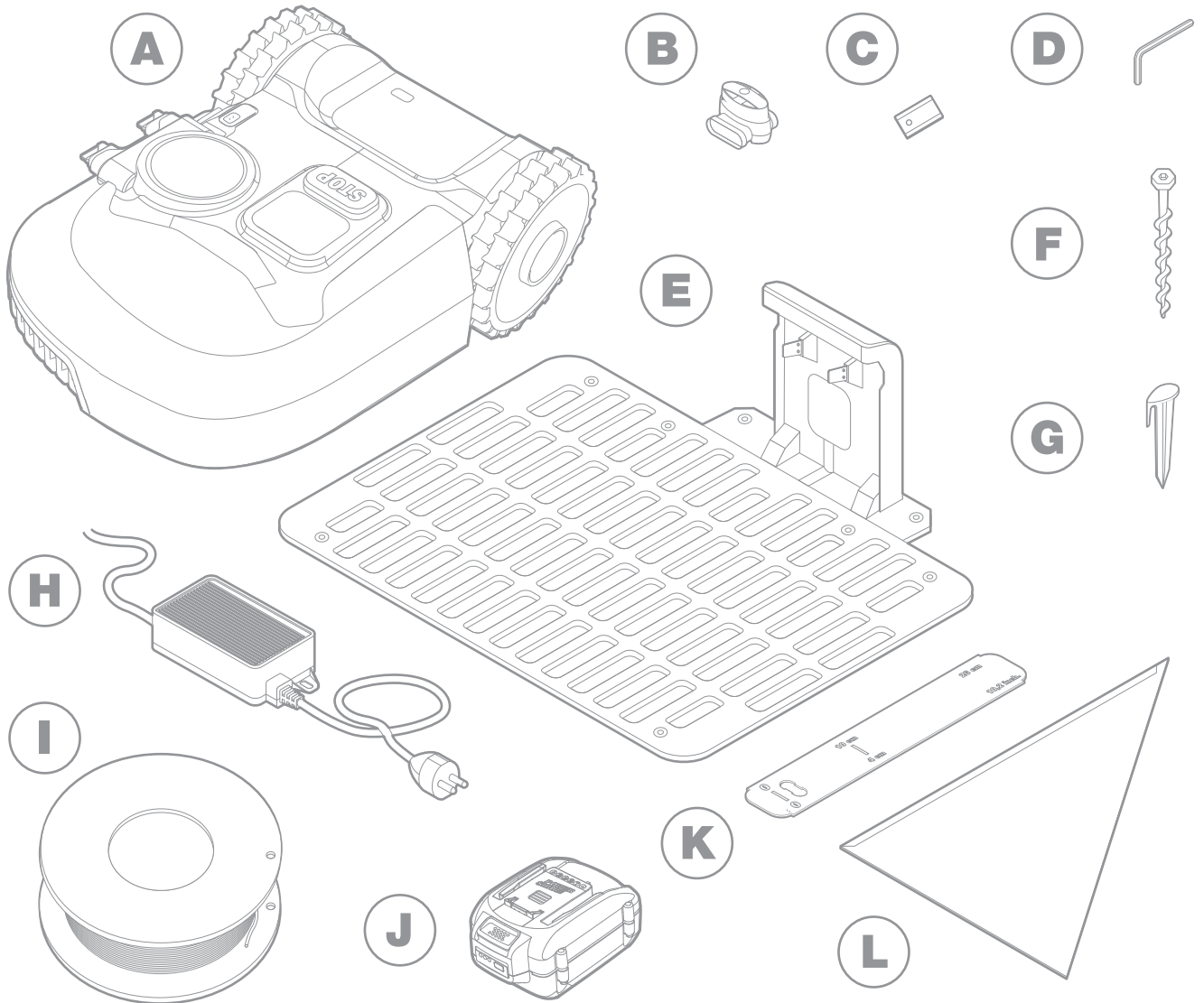
Nous sommes là pour vous aider:**Support**

www.worx.com

**Hotline service clientèle**

800-727-6260

QU'Y A-T-IL DANS VOTRE BOÎTE?



- A** 1 Worx Landroid M

- B** Connecteur de réparation à 2 fils

- C** 3 kits de lames de rechange

- D** 1 clé allen

- E** 1 base de charge

- F** 8 vis

- G** Clou métallique x 250

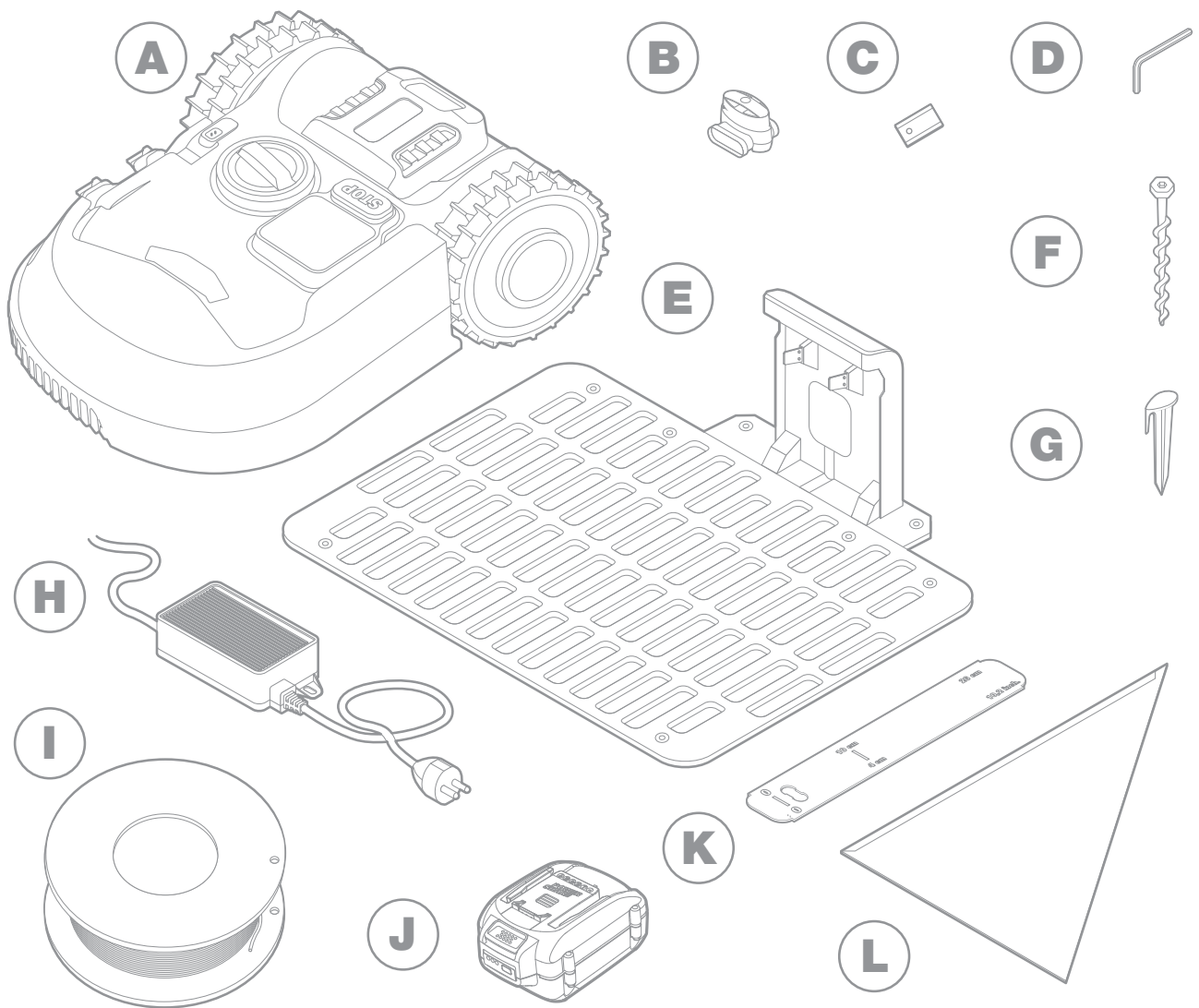
- H** 1 alimentation

- I** 590 pieds de limite de ligne

- J** 1 20V 4.0Ah batterie

- K** 1 jauge de distance pour câble périphérique

- L** 1 règle de Bertelsen

QU'Y A-T-IL DANS VOTRE BOÎTE?

A 1 Worx Landroid L

B Connecteur de réparation à 2 fils

C 3 kits de lames de rechange

D 1 clé allen

E 1 base de charge

F 8 vis

G Clou métallique x 270

H 1 alimentation

I 656 pieds de limite de ligne

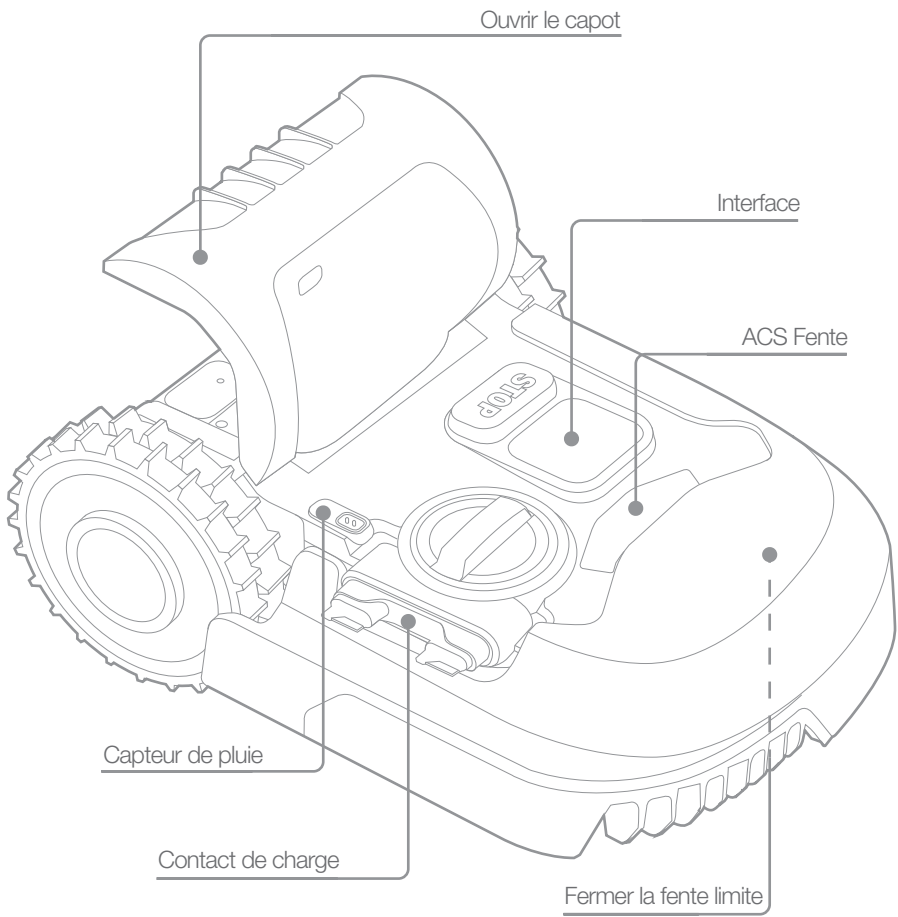
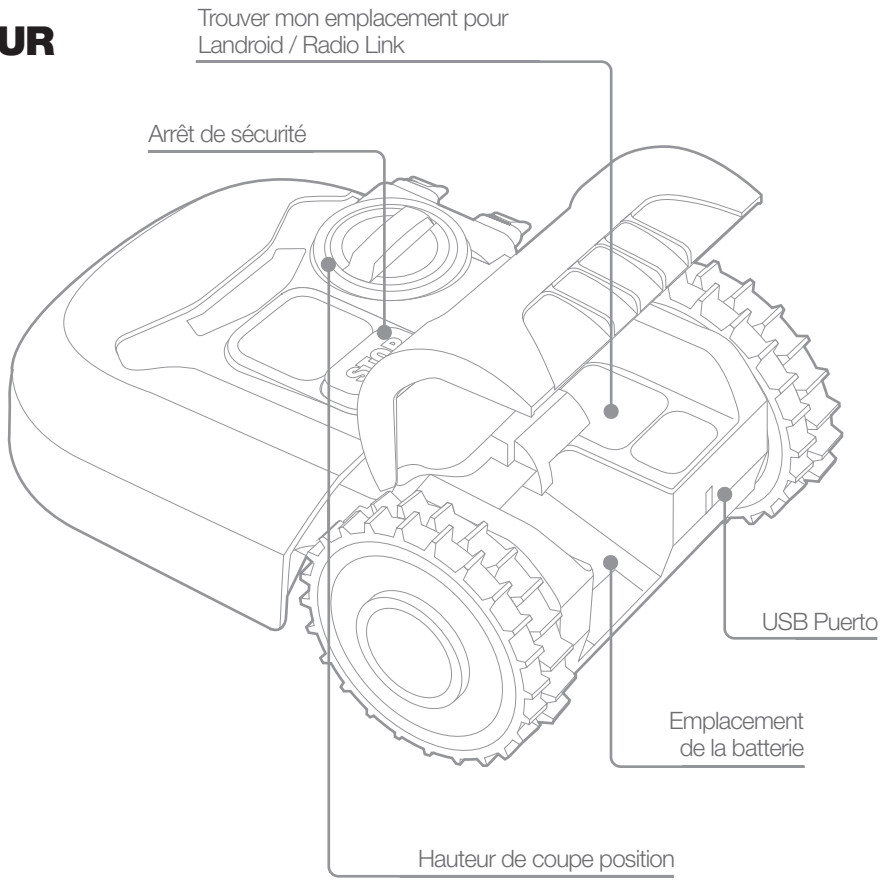
J 1 20V 4.0Ah batterie

K 1 jauge de distance pour câble périphérique

L 1 règle de Bertelsen

EN SAVOIR PLUS SUR LANDROID M

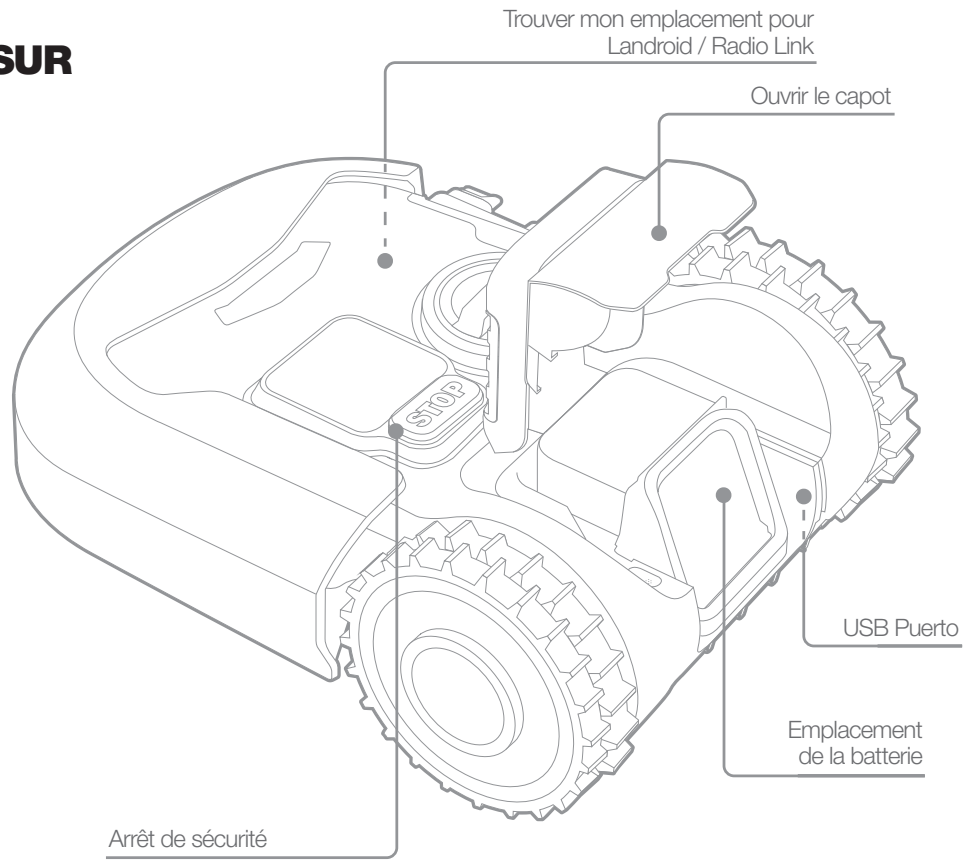
A



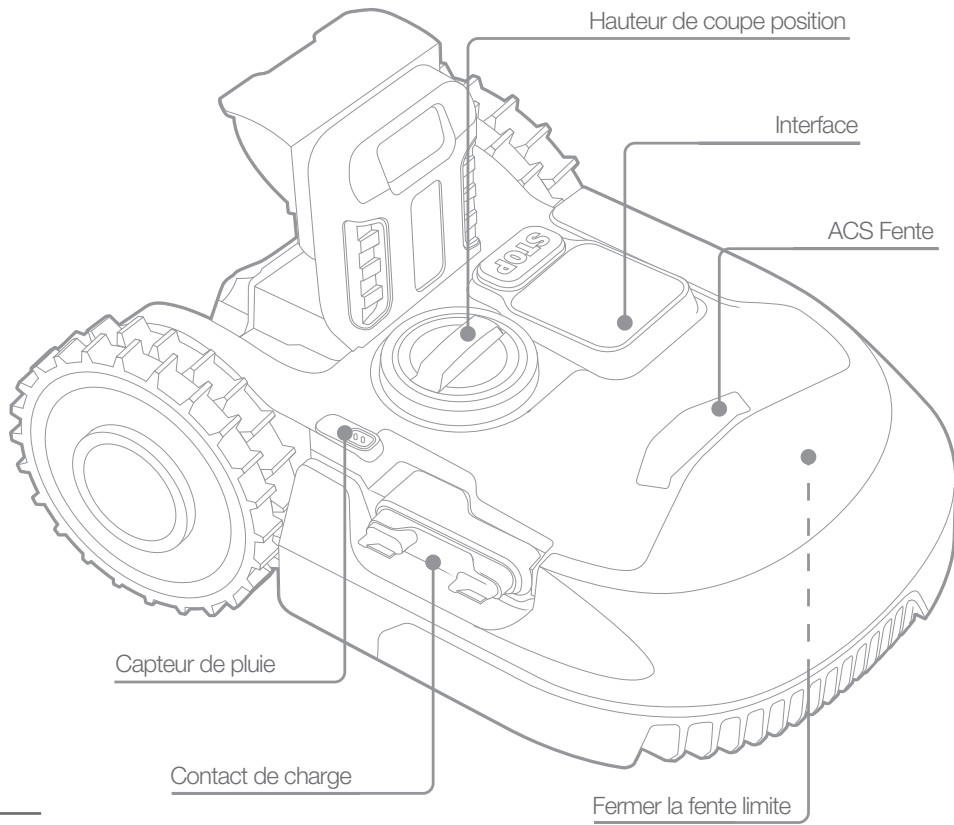
B

EN SAVOIR PLUS SUR LANDROID L

A



B



COMMENT FONCTIONNE LANDROID

Dans la section suivante, nous espérons vous aider à mieux comprendre le fonctionnement de Landroid. Landroid est une machine autonome pouvant fonctionner indépendamment. Landroid sait qu'il est temps de charger sa base de chargement, il a l'impression de pleuvoir. S'il détecte un problème, il peut s'arrêter et lorsqu'il trouve le chemin qui le bloque, il sait qu'il doit s'arrêter, reculer et tourner. Pour éviter les accidents, si vous levez le sol, Landroid arrêtera également sa rotation automatiquement.

Programmation automatique intelligente



L'application Landroid elle-même en apprend davantage sur votre pelouse et établit un calendrier parfait pour celle-ci. Même si vous pouvez le programmer manuellement, nous vous recommandons de tirer parti de cette programmation automatique avancée en connectant Landroid à Internet et en utilisant l'application gratuite Landroid.

Il se charge



Lorsque vous devez recharger votre Landroid, vous arrêtez de tondre la pelouse et suivez la limite dans le sens inverse des aiguilles d'une montre jusqu'à votre base de chargement. Une fois le chargement terminé, Landroid reprendra automatiquement la coupe ou restera dans la base de chargement en fonction du programme de coupe.

Gestion des frontières



Landroid prévoit de couper l'herbe le long du périmètre de la pelouse une fois par semaine le lundi. Si vous souhaitez modifier ce pré-réglage, vous pouvez le faire via votre smartphone ou via le panneau de commande du menu «Heures de travail - Heures de travail personnalisées». Voir les instructions détaillées à la fin de ce manuel d'utilisation.

Capteur de pluie



Landroid est 100% imperméable et heureux d'être à l'extérieur. Mais couper l'herbe humide ne donne pas la meilleure finition ou résultat. Landroid est équipé d'un capteur de pluie qui détecte la pluie et dit à Landroid d'arrêter de tondre et de retourner à sa base de chargement.

Temps de pluie



Après la pluie, lorsque l'herbe n'est plus mouillée, le Landroid redémarre. Le délai par défaut de retard de pluie est de 180 minutes. Vous pouvez modifier le réglage du délai de pluie via l'application Landroid ou à l'aide du panneau de commande. Voir les instructions détaillées à la fin de ce manuel d'utilisation.

Dans un climat plus extrême ...

En cas d'orage, débranchez la base de chargement et déconnectez le bord pour vous assurer que le Landroid n'est pas chargé pour le protéger. En hiver, en particulier dans les climats très froids, nous recommandons de garder le Landroid à l'intérieur.

Ne plus collecter de coupures de pelouse.

La coupe quotidienne de Landroid produit des coupes très courtes qu'il n'est pas nécessaire d'incliner. Ces coupes constituent le nutriment organique parfait pour votre pelouse. Une coupe régulière peut augmenter la densité des feuilles de l'herbe et empêcher efficacement les mauvaises herbes de se multiplier.

Coupe au bord

Les modèles Landroid M et L ont une fonction de rognage. La lame excentrée spéciale est aussi proche que possible du bord de la pelouse, ce qui rend presque impossible sa coupe.

Hauteur de coupe

La hauteur de coupe de Landroid M peut être réglée entre 1.9" et 3.5".

La hauteur de coupe de Landroid L peut être réglée entre 1.6" et 3.9". Le disque à lames de Landroid L peut être assemblé de deux manières en fonction de la hauteur de l'herbe. La hauteur de coupe initiale peut être ajustée de 1,6" à 3,1". Lorsque vous retournez le disque à lames, la hauteur de coupe est réglable de 2,4" à 3,9" avec les lames situées au bas du disque à lames.

Avant de commencer Landroid pour la première fois, assurez-vous que l'herbe ne dépasse pas 4". S'il est plus long, utilisez une tondeuse conventionnelle pour couper avant d'utiliser Landroid. Si vous souhaitez réduire considérablement la hauteur de la pelouse, il est recommandé d'ajuster progressivement la hauteur de coupe et de réduire progressivement la hauteur de la pelouse.

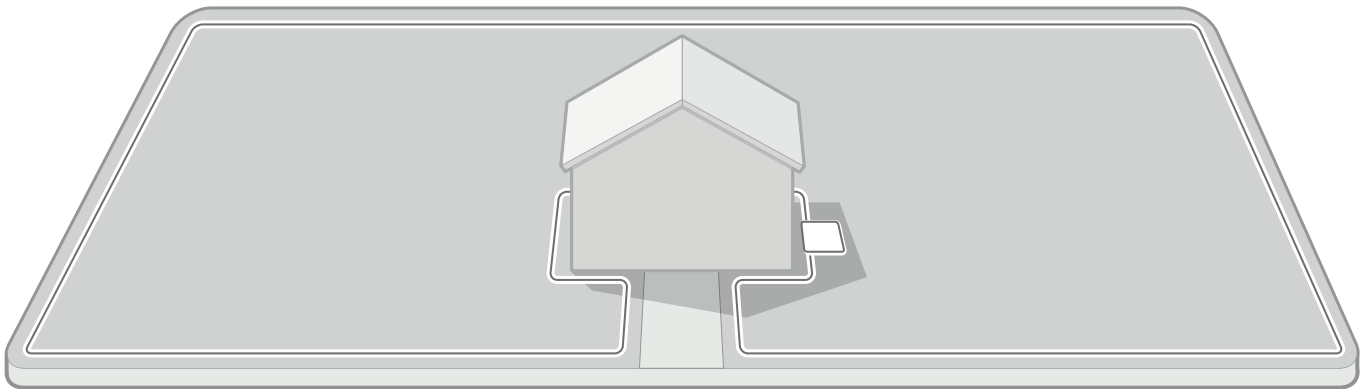
Sécurité & protection du code PIN

Pour empêcher toute utilisation non autorisée, Landroid peut accepter la protection de votre code PIN de configuration facile. Si le Landroid est connecté à un smartphone, vous pouvez le verrouiller sur votre smartphone. Si une sécurité supplémentaire est requise, nous avons même l'option Trouver mon Landroid qui vous permet de suivre Landroid via la carte SIM prépayée intégrée.

INSTALLER UN SUR TERRE? PLUS FACILE QUE VOUS PENSEZ

Si vous suivez attentivement ces instructions, il sera plus facile d'installer Worx Landroid. Enfin, vous devez installer une station de charge et placer une ligne autour de votre pelouse. En plus de ce manuel, vous pouvez également utiliser le guide d'introduction présenté dans le tableau *

* Ces informations sont fournies uniquement pour votre commodité, mais ne remplacent pas le manuel d'instructions et les consignes de sécurité qui doivent être lus et compris.



Patrouiller
votre plan de
pelouse pour
installer

Installation
station de
charge

Joindre la
ligne de
démarcation

Connecter la
station de
charge à AC

Lancez
Landroid.
Essayez et
préparez-vous
à couper

TOUTE DERNIÈRE MINUTE DANS LA PLANIFICATION VOUS ÉCONOMISE DE 10 MINUTES EN EXÉCUTION

Si vous savez déjà exactement ce que vous devez faire, il est plus facile d'installer Landroid. Une bonne planification peut également vous aider à éviter les erreurs ou à réinstaller une fois l'installation terminée.

Est-il toujours enterré à la surface?

La limite de Landroid est conçue pour rester à la surface de la pelouse. Il est presque invisible dès le premier jour et sera absorbé par le sol dans quelques semaines. Si vous souhaitez insérer un câble, il est recommandé de le réparer en premier et de tester le succès de l'installation en exécutant Landroid. Cela facilite le contrôle de tout et la conception si nécessaire avant d'intégrer les câbles. Les câbles sont enterrés à quelques centimètres sous le sol afin d'assurer un bon signal.

Planifier la station de chargement

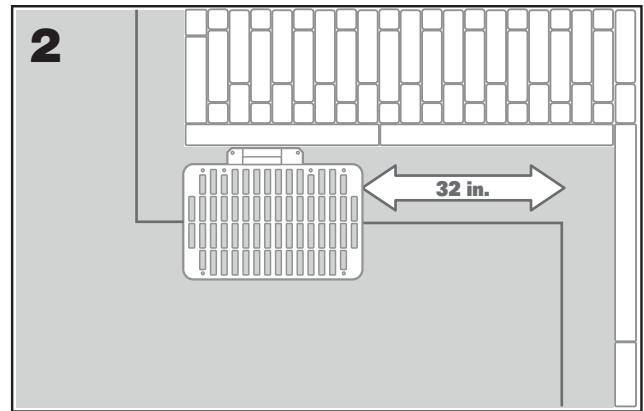
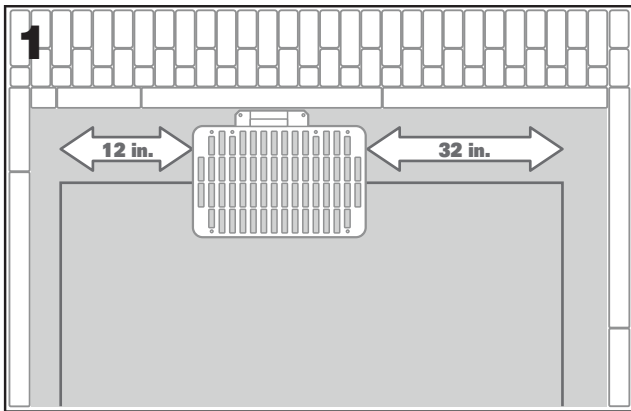
La station de charge est la batterie rechargeable de Landroid. C'est aussi un parking garé entre la tonte et la prochaine tonte.

Rappelez-vous: trouvez le bon emplacement:

- Il nécessite une alimentation, de sorte que la prise de distance AC pas plus de 32 pieds
- Chaque minute du plan vous fait gagner 10 minutes.
- La base doit reposer sur un sol plat pour assurer un couplage efficace
- Évitez les endroits près des buses d'irrigation.

Bien que l'herbe et la surface dure soient à la même hauteur (sans marches), vous pouvez placer la station de chargement sur la pelouse ou sur une surface dure, telle qu'une passerelle.

Pour entrer dans la station, Landroid a besoin d'au moins 32 pouces d'une route droite. Du côté de la sortie, une trajectoire rectiligne d'au moins 12 pouces est nécessaire avant de tourner à gauche (Figure 1). Si le virage est à droite, une trajectoire rectiligne n'est pas nécessaire (Figure 2).



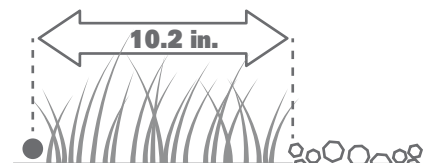
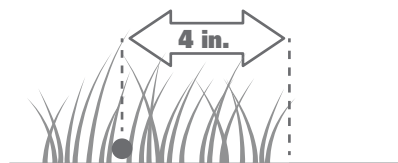
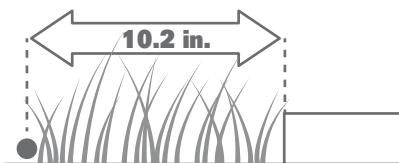
Liste des stations de charge:

- Dans la plage de puissance AC
- à l'ombre
- Directement à l'entrée, quittez le droit chemin si nécessaire
- terrain plat
- Il n'y a pas d'arroseurs d'irrigation à proximité

Limite de planification

Les câbles doivent être placés à distance du bord de la pelouse. La distance varie en fonction du contenu de l'autre bord latéral. Différentes parties de la pelouse peuvent avoir différentes situations:

1. Si le bord de la pelouse près du marchepied: conservez la ligne 10.2 depuis le bord.
2. Si le bord de la pelouse est adjacent à une route de la même hauteur: gardez la ligne 4 à partir du bord.
3. Si le bord de la pelouse est bordé de gravier: gardez la ligne 10.2 à partir du bord, car les roues du Landroid peuvent glisser sur le gravier.



Si un côté de votre pelouse est entouré par la pelouse d'un voisin utilisant une tondeuse à gazon robotisée, séparez vos câbles des câbles du voisin de 3 pieds pour éviter toute interférence potentielle.

PATROUILLEZ VOTRE GAZON

Landroid est conçu pour gérer les pelouses les plus complexes. Inspectez visuellement votre pelouse pour pouvoir installer la ligne de délimitation sans aucun problème.

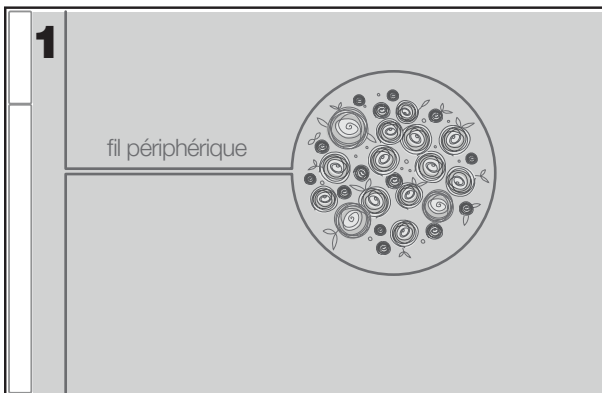
Déterminer la zone restreinte

Vous ne voulez pas que votre robot coupe des fleurs, plonge dans l'eau ou détruise les racines qui sortent du sol. Trouvez ces zones et entourez-les de frontières pour empêcher Landroid d'y accéder.

La ligne de démarcation est une boucle distincte qui se connecte à la station de charge aux deux extrémités. Vous devez donc laisser le fil de la frontière, entourer la zone que vous souhaitez protéger, puis ramener le fil au cadre, comme illustré à la figure 1.

Cette approche traditionnelle nécessite beaucoup de temps si la zone environnante est éloignée du bord de la pelouse ou si elle comporte plusieurs zones et si le sommet de l'arbre a besoin de protection.

Une bonne option est d'acheter l'option en dehors des limites de Landroid. Avec cela, utilisez simplement le guide des limites de limites restreintes pour entourer la zone interdite et vous n'avez pas besoin d'être connecté à l'anneau de délimitation (Figure 2). La clôture numérique Off-Limits est également idéale pour protéger les équipements saisonniers (tels que les trampolines) ou pour protéger le gazon des nouveaux changements sans avoir à rééditer les limites.



Identifier les obstacles

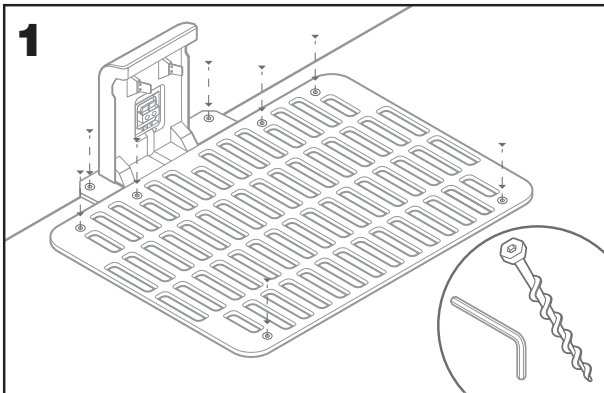
Les capteurs de collision Landroid peuvent gérer des obstacles solides tels que des arbres et des meubles qui n'ont pas besoin d'être entourés de câbles. Si votre pelouse présente plusieurs obstacles et que les arbres sont proches les uns des autres, nous vous recommandons d'acheter l'option Landroid ACS, un pilote automatique à ultrasons intelligent qui permet à votre Landroid de contourner les obstacles au lieu de rebondir.

MAINTENANT ROULEZ VOS MANCHES. QUAND C'EST FAIT, C'EST FAIT!

Maintenant que vous avez planifié l'installation de chaque détail, vous êtes prêt à agir. Avant de commencer, vous voudrez peut-être utiliser l'ancienne tondeuse pour nettoyer la pelouse une dernière fois et faciliter l'installation.

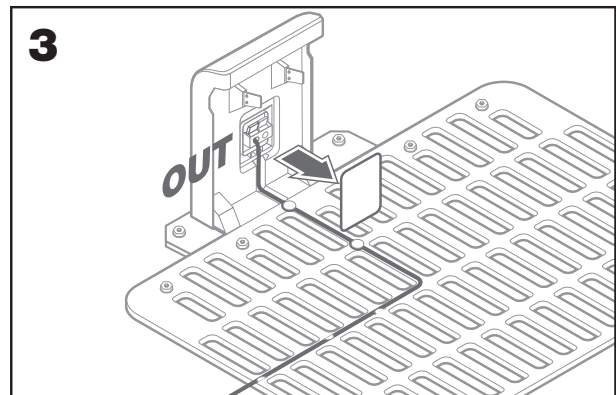
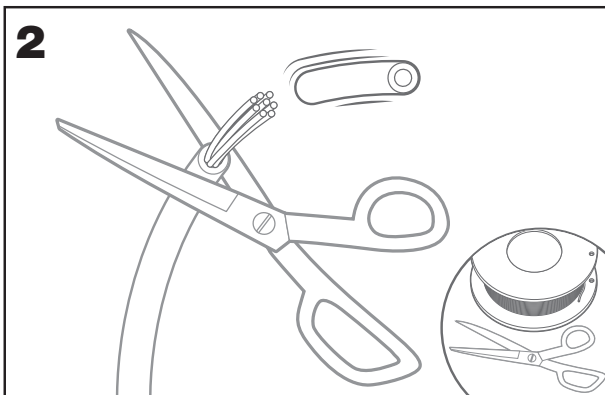
Fixez la station de charge à l'emplacement sélectionné.

- Fixez la base au sol avec la clé Allen fournie (à travers la clé Allen fournie) (Figure 1)
- Si la base est posée sur une surface dure, fixez-la avec le bouchon et la vis de fixation (non fournie)



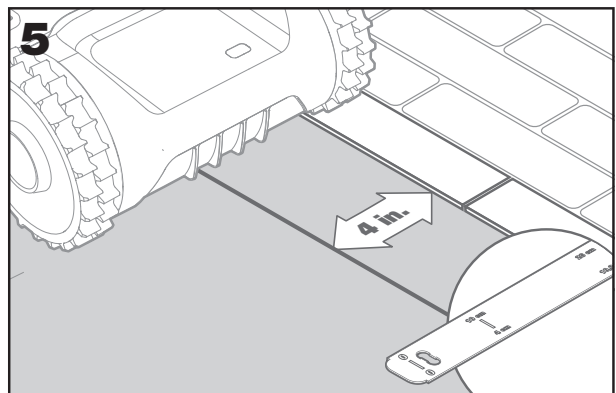
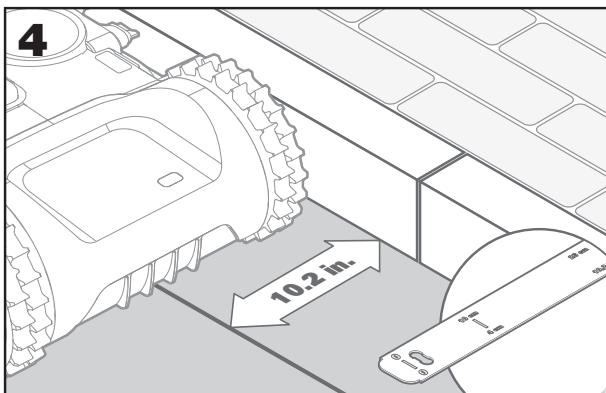
Connectez une extrémité de la ligne de limite à la station de charge

- Dénudez l'extrémité du câble avec des ciseaux (Figure 2).
- Ouvrez la porte en plastique et insérez l'extrémité dénudée dans la pince gauche rouge (Figure 3).
- Passez les câbles à travers les rails de la base, comme indiqué à la figure 2. 3



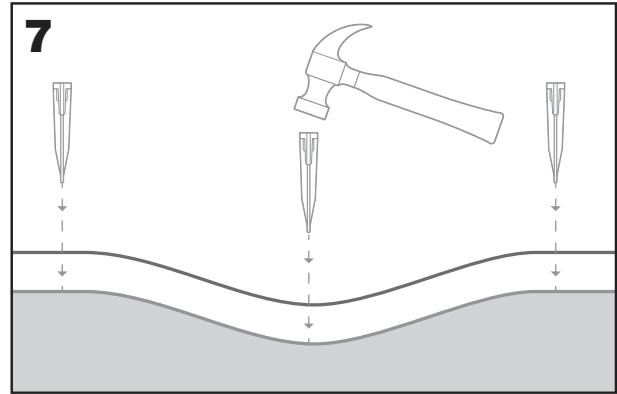
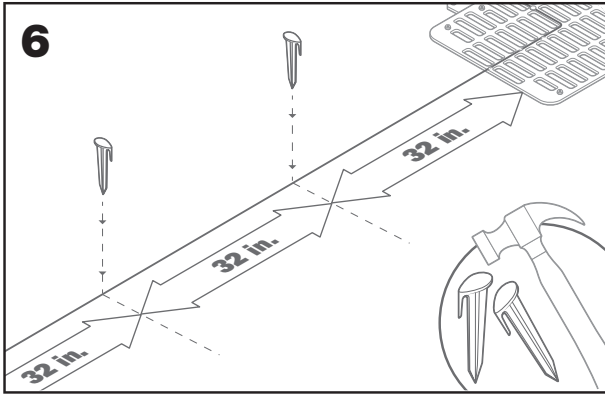
Placez la ligne de démarcation autour de votre pelouse

- Définissez la distance entre les lignes à l'aide du compteur fourni
- S'il y a une marche au bord de la pelouse, maintenez le câble à 10,2 pouces (Figure 4).
- S'il n'y a pas de marche, maintenez le câble à 10 cm du bord (Figure 5).



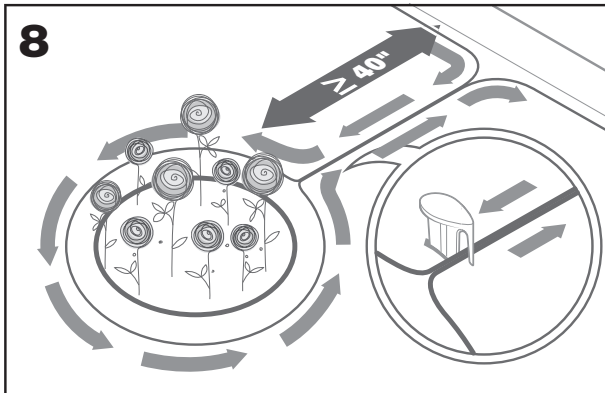
Utilisez des clous pour fixer les câbles au sol.

- Placez les ongles à environ 80 cm les uns des autres (Figure 6)
- Assurez-vous que les câbles sont toujours en contact étroit avec le sol (Figure 7).



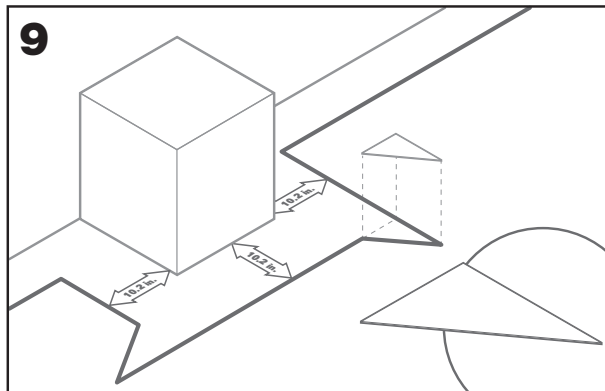
Si nécessaire, vous pouvez placer les îles environnantes

- Entourez les parterres de fleurs, les étangs, les racines et autres zones bordées
- Laissez le bord à angle droit pour atteindre la zone à protéger.
- Entourez la zone de câbles et maintenez une distance de 10.2 pouces jusqu'à la fermeture de l'île.
- Placez toujours les fils dans le sens des aiguilles d'une montre.
- Retournez au bord de la pelouse par le même chemin.



Méthode Bertelsen: comment former un angle parfait à 90° avec le coin faisant face à la pelouse

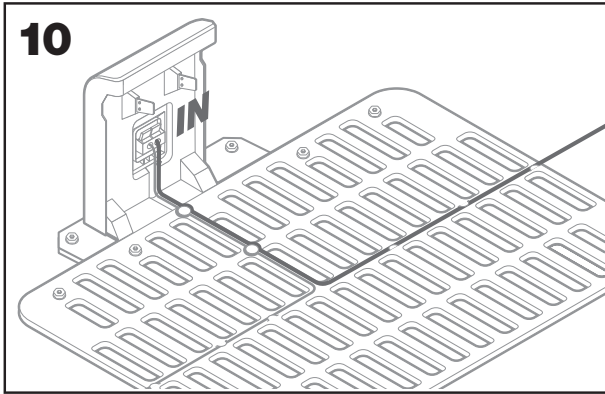
Si vous avez un angle de 90 degrés faisant face à l'intérieur de la pelouse, utilisez la règle de Bertensen pour aider Landroid à effectuer un virage parfait (et éliminez ainsi le risque que Landroid heurte les obstacles à la limite de l'herbe).



Boucle fermée

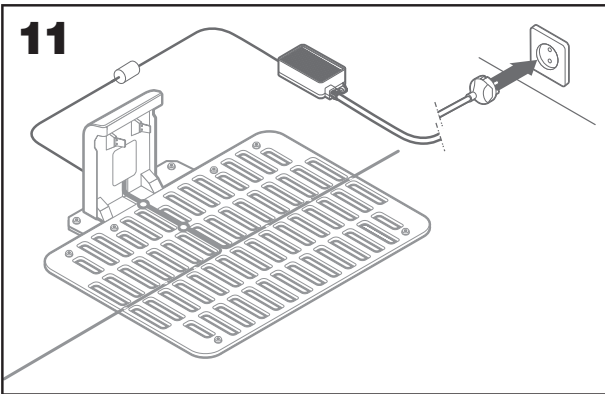
Une fois que vous avez fini de placer les câbles autour de la pelouse, vous retournerez au quai de chargement.

- Passez les câbles dans les guides de la base jusqu'à ce que les pinces (Figure 10)
- Couper le surplus de fil et peler le bout avec une paire de ciseaux ou un coupe-fil.
- Insérez l'extrémité dénudée dans le raccord noir à droite

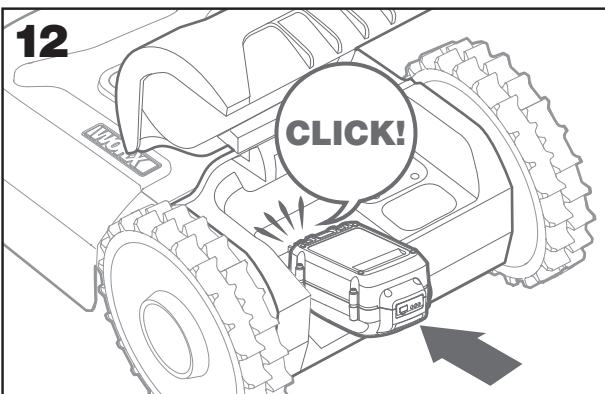
**Étape finale**

Il y a quelques étapes supplémentaires:

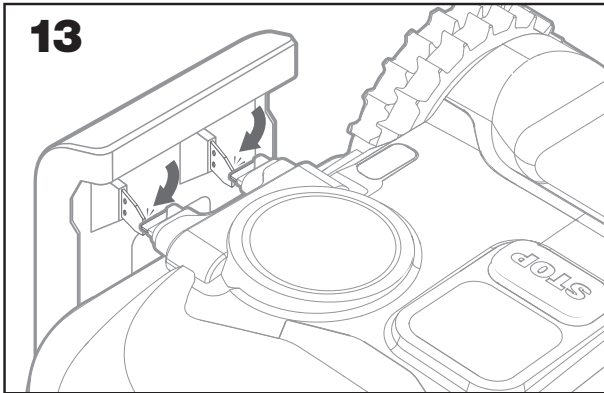
- Connectez la station de charge à une prise secteur (Figure 11).
- Si tout va bien, la LED devient verte
- S'il y a un trouble dans la boucle, comme un fil cassé ou extrémités des fils pas correctement serré, la LED vire au rouge. Vérifiez que tout va bien, si le problème persiste, consultez la session de questions fréquemment posées



- Ouvrez l'arrière de Landroid et insérez la batterie PowerShare dans son logement jusqu'à ce que vous entendiez un déclic (Figure 12).

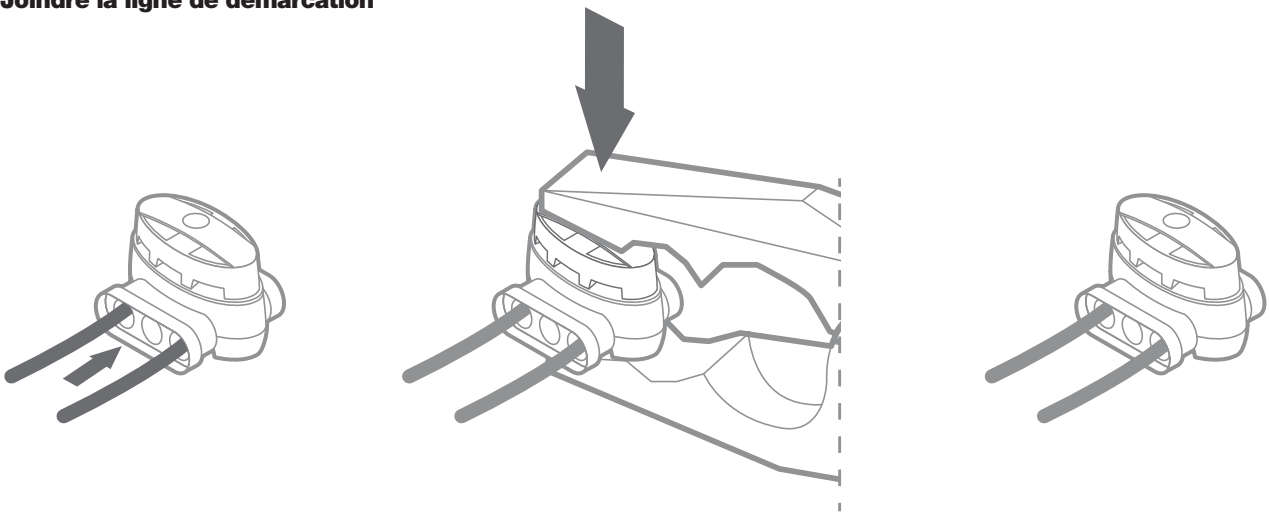


- Le Landroid est placé dans un état chargé assurant un bon contact avec le socle (Figure 13). La LED clignotera en vert; Une fois la batterie complètement chargée, LED devient vert.



Laissez Landroid charger la batterie pendant un moment. Lorsque vous chargez, vous devrez peut-être faire une pause: familiarisez-vous avec les instructions ci-dessous et connectez Landroid à votre réseau Wi-Fi.

Joindre la ligne de démarcation



La boîte Landroid comprend deux petits connecteurs de bord imperméables. Il peut être utilisé dans les domaines suivants:

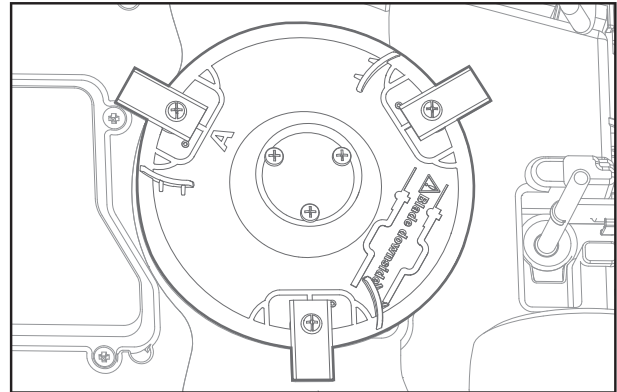
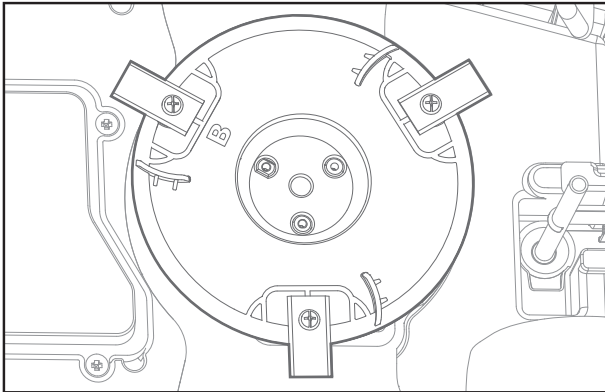
- Lorsque votre pelouse est très longue, des bordures supplémentaires sont nécessaires pour terminer l'installation. Ne pas dépasser 1145 pieds de la ligne de démarcation: il s'agit de la longueur maximale du périmètre de la ligne de démarcation
- Lorsque vous coupez accidentellement la limite, vous devez la corriger.
- Lorsque vous décidez de modifier à nouveau le jardin et que vous devez modifier l'installation de la ligne de démarcation d'origine

Le connecteur est étanche et fournit la meilleure connexion.

- Insérez les extrémités du câble dans l'un ou l'autre des trous du connecteur; Peeling n'est pas nécessaire
- Insérez le câble complètement jusqu'à ce que les extrémités des deux fils situés de l'autre côté du connecteur soient visibles.
- Appuyez fermement sur le connecteur en utilisant une paire de pinces

⚠ Attention: Il n'est pas recommandé de simplement épisser les lignes de contour avec du ruban isolant ou d'utiliser des borniers à vis pour la connexion. Un circuit ouvert peut se produire après un certain temps, car l'humidité du sol oxydara le câble.

Hauteur de coupe

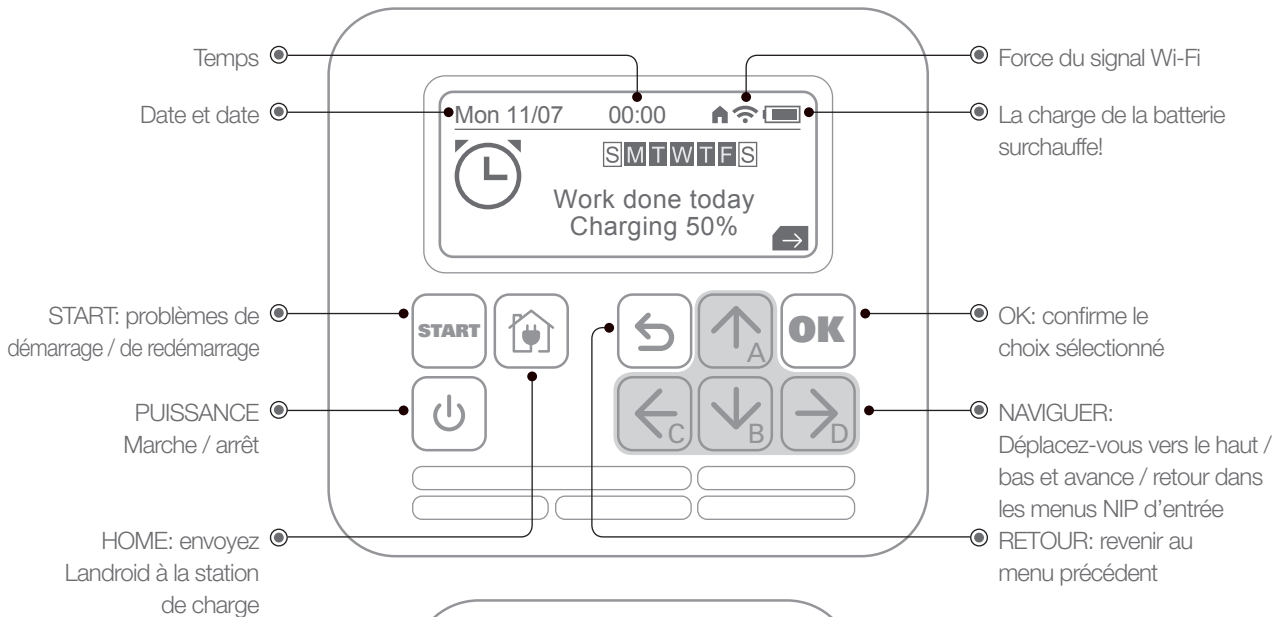


Le disque à lames peut être assemblé de deux manières en fonction de la hauteur de l'herbe. La hauteur de coupe initiale peut être ajustée de 1,6 "à 3,1". Lorsque vous retournez le disque à lames, la hauteur de coupe est réglable de 2,4 "à 3,9" avec les lames situées au bas du disque à lames.

**MAINTENANT POUR LE BIT EXCITANT!
COMMENCEZ LANDROID POUR LA PREMIÈRE FOIS.**

Familier avec le panneau de commande

Le panneau de commande Landroid fournit des fonctionnalités clés dans un design minimaliste. Pour des fonctionnalités avancées, l'application gratuite Landroid offre plus d'options dans une interface plus riche: les smartphones.



Démarrer Landroid

- Placez Landroid à l'intérieur du câble périphérique
- Appuyez sur le bouton marche / arrêt jusqu'à ce que l'écran affiche "Bienvenue".
- L'écran montre la saisie du code PIN
- Entrez le code PIN AAAA par défaut en appuyant quatre fois sur le bouton ↑ (A).
- L'écran affiche le "code PIN OK"
- Appuyez sur le bouton START, puis appuyez sur OK. Landroid commencera à tondre
- Vous pouvez arrêter Landroid à tout moment en appuyant sur le bouton STOP
- Pour envoyer le Landroid à la station de charge, appuyez sur le bouton Démarrer, puis sur OK.

Changer PIN

Pour renforcer la sécurité de votre Landroid, remplacez le code PIN AAAA par le code PIN de votre choix.

- Allumez Landroid et déverrouillez-le en saisissant le code PIN par défaut.
- Appuyez sur le bouton → (D)
- Sélectionnez l'icône du cadenas avec les boutons → et ← Navigation, puis appuyez sur OK.
- L'écran affiche "Changer le code PIN". Appuyez sur OK pour lancer la procédure.
- L'écran affiche "Ancien code PIN". Entrez le code PIN par défaut AAAA
- L'écran affiche "Nouveau code PIN". Composez votre nouveau code PIN avec le bouton ABCD
- Il vous sera demandé de répéter votre nouveau code PIN
- Si les deux entrées correspondent, l'écran confirmera.

⚠ Important

Écrivez le mot de passe et conservez-le dans un endroit sûr. Pour plus de sécurité, enregistrez votre Landroid et votre code PIN sur le site Web de Worx. Nous allons l'enregistrer en toute sécurité et vous pouvez toujours le récupérer à partir de la section Mon site du site.

Gardez à l'esprit que si vous perdez votre code PIN, vous ne pourrez plus utiliser Landroid. Pour rendre Landroid aussi sûr que possible, aucun programme de réinitialisation de code PIN ne peut être utilisé, y compris le centre de service agréé Landroid.

Si vous décidez de vendre votre Landroid ultérieurement, restaurez le code AAAA PIN par défaut avant de l'envoyer au nouveau propriétaire ou fournissez votre code PIN personnalisé au nouveau propriétaire.

Si vous envoyez Landroid au centre de service, indiquez-leur votre code PIN.

Modifier les paramètres de langue

Landroid est pré-établi dans la langue du pays où vous l'avez acheté. Toutefois, si vous souhaitez changer de langue, suivez les étapes ci-dessous.

- Ouvrez Landroid et insérez le code PIN
- Appuyez sur le bouton → (D). l'écran montre le menu
- Sélectionnez l'icône engrenage avec les boutons de navigation, confirmez avec le bouton OK
- "Langue" figure en haut de la liste des paramètres généraux.
- Appuyez sur OK pour sélectionner
- Faites défiler le menu pour sélectionner votre langue.
- Appuyez sur OK pour confirmer

CONNECTEZ LANDROID À INTERNET

Pourquoi choisir de connecter Landroid?

Landroid est un appareil IoT (Internet of Things). Pour obtenir toutes les fonctionnalités de Landroid et les garder à jour avec les logiciels les plus récents, vous devez vous connecter à Internet via le réseau Wi-Fi ou utiliser "Accessoires Find my Landroid".

AVANT DE COMMENCER



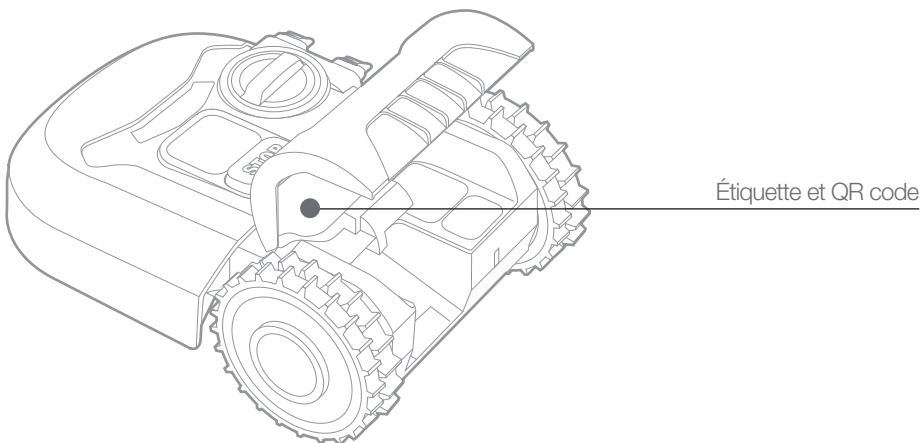
1. Téléchargez l'application

Tout d'abord télécharger l'application gratuite Landroid. Obtenue dans le magasin d'applications Android (4.4.2 ou supérieur) ou Apple (iOS 11 ou supérieur)



2. Assurez-vous d'avoir:

- Votre mot de passe réseau Wi-Fi
- Numéro de série de Landroid: vous pouvez le trouver sur l'étiquette sous la couverture arrière de la machine.
Si vous ne souhaitez pas entrer de numéro de série à 20 chiffres, utilisez l'appareil photo de votre smartphone pour numériser le code QR correspondant à l'entrée.



3. Vérifiez vos paramètres Wi-Fi

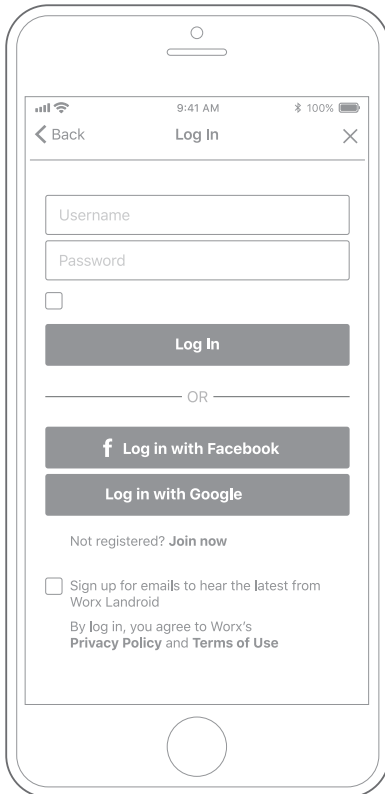
- Landroid peut utiliser le signal Wi-Fi de 2.4 GHz
- Assurez-vous que votre Landroid est dans le même environnement de routeur que votre smartphone.
- Assurez-vous que la distance entre le Landroid, le smartphone et le routeur est aussi proche que possible pendant la connexion.

Astuces: Lorsque Landroid se déplace dans la zone d'herbe, le signal Wi-Fi est faible ou en l'absence de signal Wi-Fi. Les instructions envoyées par l'application ne sont exécutées que lorsque le Landroid renvoie une zone de signal de qualité.

COMMENT CONNECTER LANDROID À INTERNET

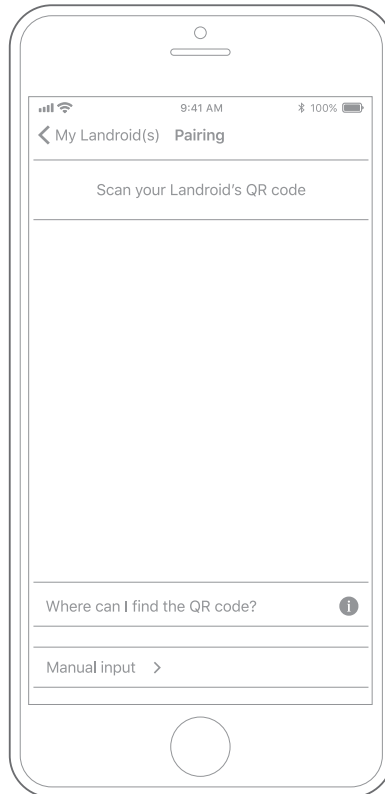
Lancez l'application et suivez ces instructions.

1. Enregistrez votre compte



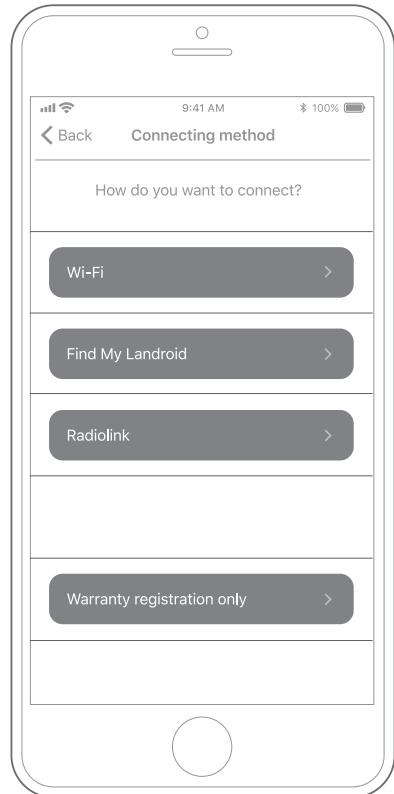
Enregistrez votre compte en entrant votre nom d'utilisateur et votre mot de passe ou en vous connectant via Facebook ou Google.

2. Entrez le numéro de série de Landroid



Enregistrez votre Landroid en entrant le numéro de série manuellement ou en scannant le code QR.

3. Choisissez votre connexion



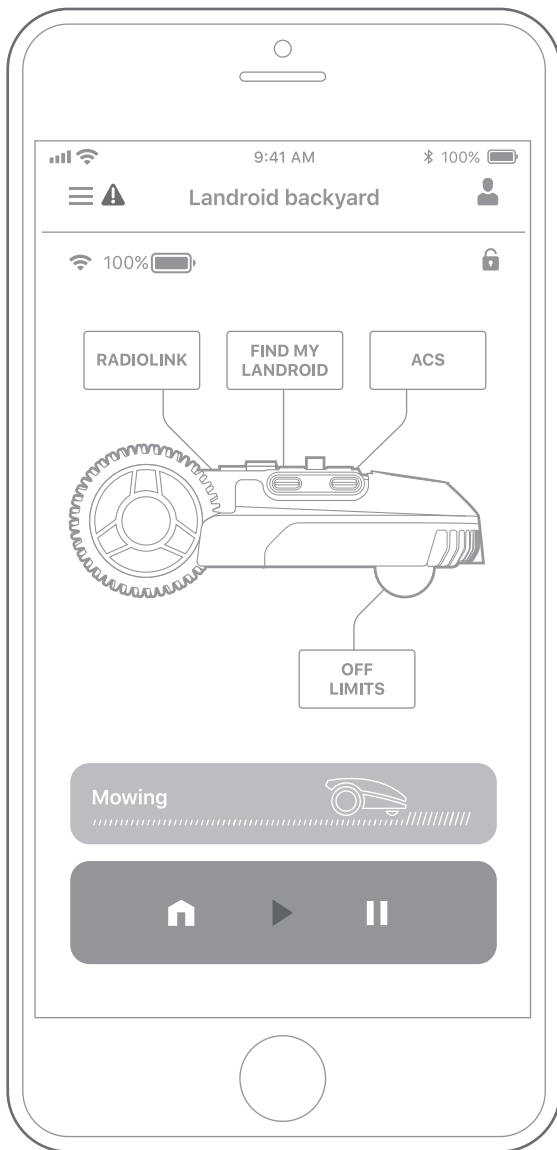
Choisissez votre réseau Wi-Fi ou connectez-vous à Landroid via les options de recherche Mon Landroid ou Radiolink.

Si votre réseau Wi-Fi ne couvre pas toute la pelouse, envisagez l'achat de l'option Landroid Radio Link, qui étend le signal à 0.6 km.

Au lieu de cela, vous pouvez acheter l'option Trouver mon Landroid, en plus de connecter le Landroid à Internet via votre carte SIM, et vous permettre également de localiser le malheureux vol.

LANDROID APP PAS UNE TÉLÉCOMMANDE SIMPLE

Ne le considérez pas comme une télécommande. L'application fait partie de l'écosystème avancé de Worx Landroid basé sur le cloud computing et l'intelligence artificielle.



Avec la fonctionnalité de réalité augmentée de l'application, vous pouvez mesurer la surface exacte de la pelouse. C'est aussi simple que de marcher le long de ses frontières.

L'application vous permet également de voir des statistiques sur ce que Landroid a fait pour vous.

L'application vous informera également lorsqu'un nouveau logiciel sera disponible pour téléchargement automatique par Landroid.

Une fois connecté, Landroid peut accéder à ses instructions de programmation automatiques uniques à partir du cloud et télécharger le dernier logiciel pour optimiser ses performances.

CONFIGURER LANDROID SATISFAIRE VOS BESOINS SPECIFIQUES

Vous pouvez améliorer vos modèles Landroid avec cinq options uniques qui optimisent les performances de votre Landroid en fonction de votre jardin unique et de vos besoins individuels. Ceci est un résumé rapide: pour plus d'informations, visitez notre site Web.



Les capteurs à ultrasons sont intelligemment exempts d'obstacles.

- Les tondeuses robotiques traditionnelles sont aveugles. Ils peuvent facilement être perdus quand ils frappent un objet. Des coups quotidiens peuvent également endommager vos arbres, vos plantes et votre mobilier d'extérieur. L'option Landroid avec ACS peut éviter cela: vous pouvez franchir des obstacles sans effort
- Landroid utilise des capteurs à ultrasons de qualité automobile pour détecter les obstacles. En utilisant cette reconnaissance d'objet, la technologie de pilote automatique de Landroid peut les éviter.



L'option Fermer la restriction crée une bordure autour de la surface en herbe sans connecter la limite principale.

- Vous pouvez l'utiliser pour simplifier considérablement l'installation de Landroid en éliminant le besoin d'entourer la zone interne avec la ligne de limite principale.
- Il est également idéal pour garder la pelouse dégagée de manière temporaire. Par exemple, utiliser du matériel saisonnier tel que des trampolines.
- Ou vous pouvez changer la pelouse de façon permanente sans modifier la limite d'origine de Landroid



Les réseaux domestiques Wi-Fi normaux ne couvrent généralement qu'une petite partie du jardin - RadioLink résout ce problème. Créez une connexion radio à l'épreuve des balles pouvant s'étendre sur une distance de 0.3 miles d'un routeur Wi-Fi.

- Libérez tout le potentiel de l'intelligence artificielle avancée de Landroid grâce à la connectivité en ligne continue avec l'option RadioLink



Protégez votre Landroid contre le vol avec le GPS combiné à des signaux mobiles. Grâce à son module cellulaire, cet accessoire élimine également le besoin de Wi-Fi ou de RadioLink pour rester connecté à Internet.

- Si votre Landroid est pris en dehors de la zone géographique, vous recevrez des notifications via votre smartphone via l'application Landroid. Vous pouvez bloquer le robot et le suivre. Le module GPS fonctionne même si la batterie principale est retirée.
- Find My Landroid fournit une connectivité de données via sa carte SIM multi-IMSI, qui fonctionne avec un large éventail de fournisseurs de télécommunications pour garantir que le meilleur signal est toujours disponible

ENTRETIEN

Il est difficile de travailler avec votre Landroid et il doit être nettoyé et inspecté de temps en temps. Cette partie du guide de l'utilisateur peut vous aider à garder votre Landroid en bon état afin que vous puissiez continuer à l'utiliser pendant des années sans être bouleversé. Voici comment prendre soin de votre Landroid.

RESTEZ AFFÛTÉ



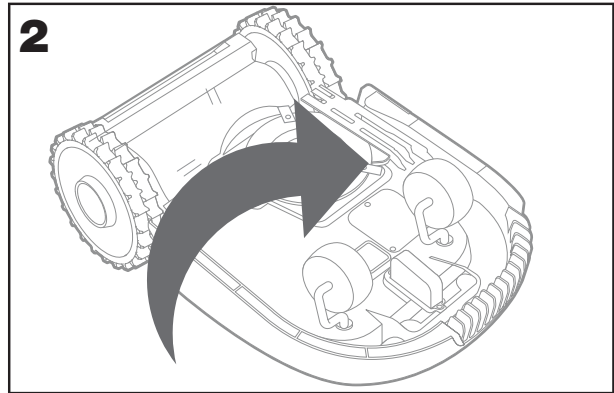
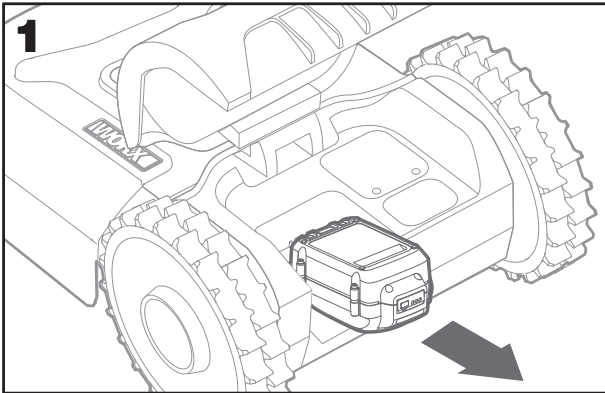
Landroid ne coupe pas l'herbe comme les autres tondeuses à gazon. Ses lames de coupe sont tranchantes sur 2 bords et tournent dans les deux sens pour une capacité de coupe maximale.

- Le disque en rotation de la lame pivote de manière aléatoire pour utiliser les deux tranchants et minimiser la fréquence de remplacement de la lame.
- Chaque lame de coupe durera jusqu'à 2 mois, car chaque lame de coupe est programmée pour tondre la pelouse chaque jour.
- Vérifiez toujours que la lame n'est pas endommagée ou endommagée et remplacez-la si nécessaire.
- Lorsque la lame de coupe est passivée et usée, elle doit être remplacée par une lame de rechange fournie avec le Landroid. Des lames de rechange sont également disponibles chez votre revendeur Landroid le plus proche et sur worx.com.

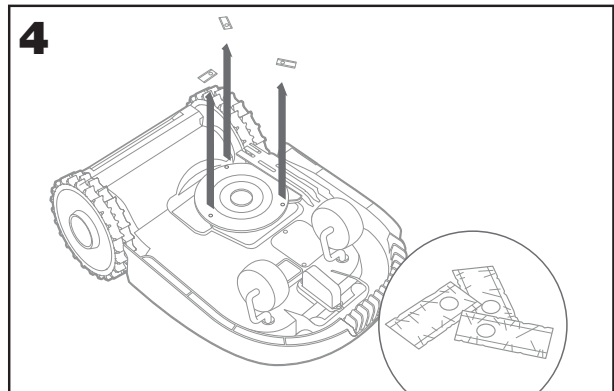
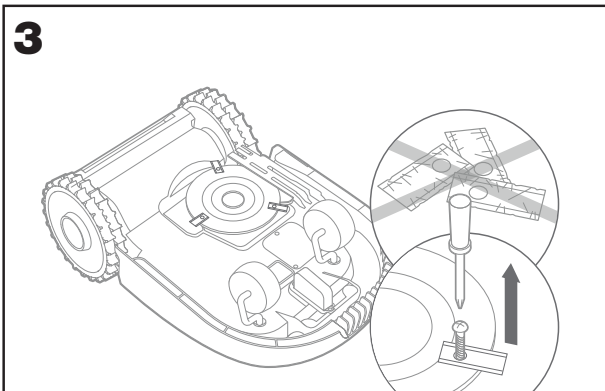
⚠ AVERTISSEMENT! Fermez le Landroid et portez des gants de protection avant de nettoyer, d'ajuster ou de remplacer la lame. Portez toujours des gants de protection.

Remplacer la lame

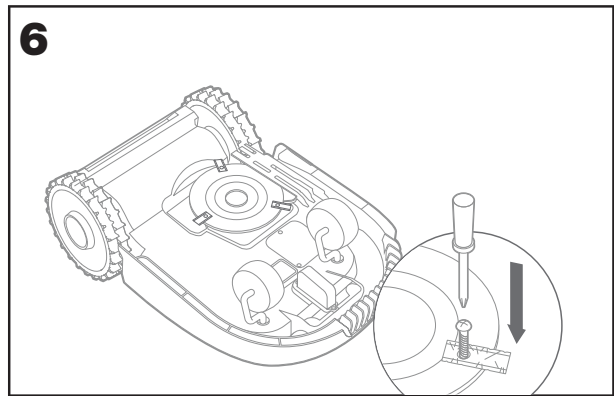
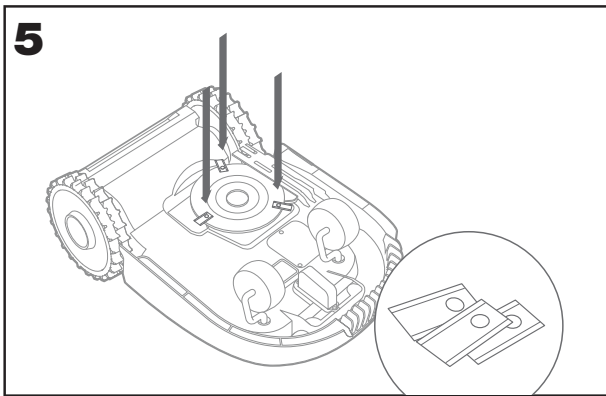
Retirez la batterie (Figure 1) et faites tourner doucement le Landroid (Figure 2).



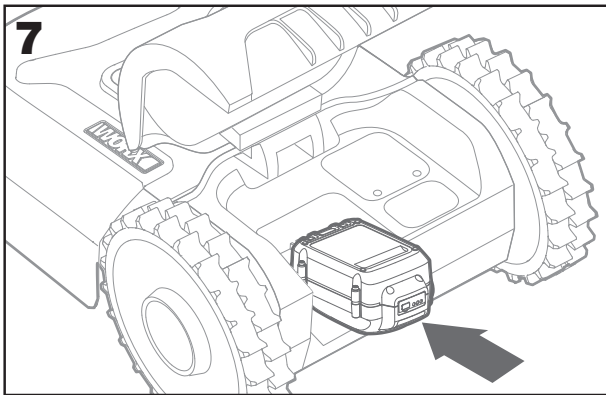
Utilisez un tournevis pour retirer les vis de la lame (Figure 3 - 4)



Serrez fermement la nouvelle lame (Figure 5-6)



Réinstallez la batterie (Figure 7)



⚠ Attention: Lors de l'installation d'une nouvelle lame, veillez à remplacer toutes les lames.

- Utilisez toujours des vis neuves lors de l'installation de la lame. Ceci est important pour garantir que la lame maintient et équilibre la rotation de la lame. Ne pas utiliser de nouvelles vis peut causer des blessures graves.
- Important Après avoir vissé la lame dans la lame, assurez-vous que la lame peut tourner librement.

GARDEZ-LE PROPRE



Votre Landroid doit être nettoyé régulièrement. Cela aide à le maintenir en bon état, notamment pour enlever la saleté, les débris et l'herbe de la tonte quotidienne. Éteignez le Landroid avant de le nettoyer. Pour plus de sécurité, retirez la batterie.

⚠ AVERTISSEMENT! N'UTILISEZ PAS de tuyaux, de nettoyeurs haute pression ni de l'eau du robinet dans le Landroid. De l'eau sous haute pression peut pénétrer dans le joint et endommager les composants électroniques et mécaniques.

Nettoyage de la partie supérieure du corps.

- Nettoyer avec un vaporisateur rempli d'eau. N'utilisez pas de solvants ni d'agents de blanchiment.
- Essuyez la saleté accumulée avec une brosse ou un chiffon propre

Nettoyer le fond

- Retourner Landroid à l'envers
- Utilisez une brosse pour enlever les débris et l'herbe coupée
- Veillez à ne pas toucher la feuille avec votre main. Portez des gants de protection.
- Nettoyez soigneusement la lame, le châssis et la roue avant avec une brosse douce ou un chiffon humide.

- Tournez la lame pour vous assurer qu'elle tourne librement. Éliminer tout obstacle Enlevez tout résidu encrassé pour éviter les fissures dans la lame. Même les plus petites fissures peuvent couper l'herbe.
- Vérifiez que la lame peut tourner librement autour de la vis de réglage. Éliminer tout obstacle

Roue motrice propre

- Utilisez une brosse pour enlever la boue des roues afin d'assurer une bonne adhérence sur la bande de roulement

Effacer les contacts de charge

- Utilisez un chiffon pour nettoyer le stylet sur la base de chargement et la bande de chargement sur le Landroid.
- Enlevez régulièrement l'herbe ou les débris autour de la broche de contact et de la bande de chargement pour vous assurer que le Landroid est chargé correctement à chaque fois.

ASSURER LA BONNE BATTERIE



Le coeur de Landroid est sa batterie 20V Li-Ion Worx Powershare.

- Afin de stocker correctement la batterie, veuillez vous assurer que la batterie est complètement chargée et stockée dans un endroit frais et sec à -20°C-60°C
- La température de fonctionnement recommandée de Landroid est comprise entre 0-55°C
- La durée de vie de la batterie Landroid dépend du moment de l'utilisation quotidienne et du temps d'utilisation lors de la coupe.

Entretien de la batterie pendant le stockage.

- Landroid peut être chargé manuellement sans limite.
- Connectez la base de chargement à une source d'alimentation appropriée. Le voyant vert sur la base de chargement s'allumera.
- Lorsque le Landroid est éteint, le Landroid est manuellement fixé à la base de chargement.
- Le voyant vert sur la base de chargement devient vert et le Landroid commence à charger.
- Lorsque la batterie est complètement chargée, le voyant vert devient vert fixe.

GARDER STOCKÉ PENDANT L'HIVER



Bien que Landroid soit conçu et construit pour résister aux conditions météorologiques les plus rudes, il est recommandé de le ranger dans votre hangar ou votre garage en hiver. Préparez-vous à l'hibernation:

- Nettoyage en profondeur
- Charger complètement la batterie
- Éteindre le pouvoir

Retour au travail au printemps

Lorsque le moment est venu de relancer Landroid pour la nouvelle saison, veuillez procéder aux vérifications suivantes:

- Mettre à jour les paramètres d'heure et de date via l'application
- Si vous remarquez des signes d'oxydation dans les contacts de charge Landroid et la station de charge, utilisez un papier sablé fin pour nettoyer
- Pleine de batterie Landroid avant l'opération

RESTEZ À JOUR



Landroid n'a cessé de s'améliorer et propose de nouvelles versions logicielles gratuitement. Gardez toujours le logiciel Landroid à jour pour tirer le meilleur parti de votre machine.

Mise à jour sans fil (OTA)

Si votre Landroid est connecté à votre réseau Wi-Fi, l'application vous informera que vous pouvez utiliser le nouveau logiciel. Une fois confirmée, la mise à jour sera effectuée automatiquement sans fil.

Vérifiez la version du logiciel que vous avez

Lorsque vous démarrez Landroid, la version du logiciel est toujours affichée sur le côté gauche de l'écran. Vous pouvez également facilement voir le logiciel que Landroid a avec cette application.



Vous pouvez également aller dans le menu des paramètres généraux pour vérifier.

- Appuyez sur OK pour sélectionner l'icône d'engrenage
- Utilisez le bouton fléché du bas (B) pour faire défiler le menu et accéder aux options de diagnostic.
- Appuyez sur OK et vous verrez à nouveau la version du logiciel.



Mise à jour manuelle

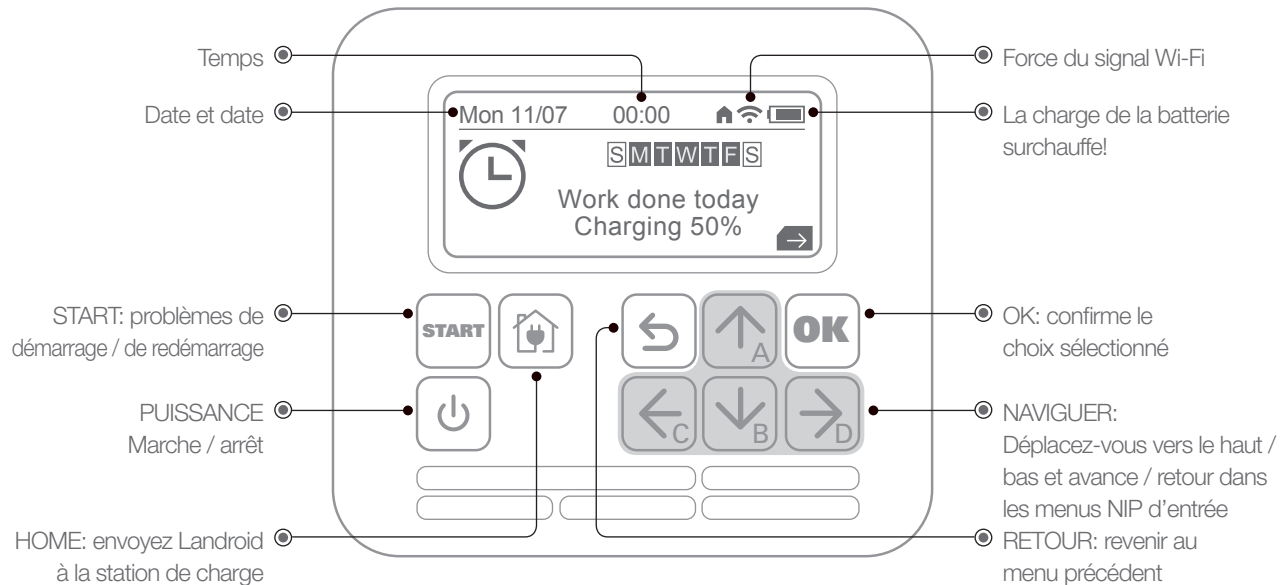
- Si votre Landroid n'est pas connecté à votre réseau Wi-Fi, vous pouvez toujours le mettre à jour avec la dernière version du logiciel avec une clé USB.
- Visitez régulièrement le site Web de Worx Landroid pour vérifier les nouvelles versions. Si vous vous abonnez à la liste de diffusion Landroid, vous serez averti lorsqu'une nouvelle version est disponible.
- Téléchargez la dernière version du logiciel sur notre site Web
- Extrayez les fichiers sur votre ordinateur
- Prenez une mémoire USB vierge au format FAT32
- Enregistrez le logiciel Landroid décompressé sur une clé USB
- Placez le Landroid sur une surface plane et sans danger.
- Ferme landroid
- Allez à l'arrière du Landroid pour accéder au port USB. Voir page 7 de ce manuel pour le trouver.
- Branchez le périphérique de stockage USB sur le port.
- Placez le Landroid à nouveau sur la pelouse, dans la zone de travail définie par la ligne de délimitation.
- Allumer Landroid
- Retirez la clé USB en fonction de l'invite de l'écran sans soulever le Landroid.
- La mise à jour démarre automatiquement et peut prendre quelques minutes. Une fois la mise à jour terminée, Landroid redémarrera automatiquement.

NOTE: Si le Landroid ne se trouve pas dans la limite, le message "START redémarre l'espace de travail externe". Assurez-vous que Landroid est dans les limites lorsque vous redémarrez Landroid.

LANDROID PANNEAU DE COMMANDE

Fonctions avancées via l'interface intégrée

Malgré sa conception minimaliste, vous pouvez configurer plusieurs fonctions avancées via le panneau de commande intégré. Cependant, pour une meilleure expérience utilisateur, nous vous recommandons d'utiliser l'application gratuite Landroid, à cause de son interface beaucoup plus riche et intuitive.



Choisissez votre format d'heure préféré - 24h ou 12h (AM / PM)

- Ouvrez Landroid et insérez le code PIN
- Appuyez sur le bouton → (D). l'écran montre le menu
- Sélectionnez l'icône engrenage avec les boutons de navigation, confirmez avec le bouton OK
- Faites défiler jusqu'à "Format heure" à l'aide des boutons ↑(A) et (B). Appuyez sur OK pour confirmer
- Sélectionnez votre option entre "24 heures" et "12 heures" avec les boutons ↑(A) et (B).
- Appuyez sur OK pour confirmer votre choix.

Choisissez votre format de date de préférence

- Ouvrez Landroid et insérez le code PIN
- Appuyez sur le bouton → (D). l'écran montre le menu
- Sélectionnez l'icône engrenage avec les boutons de navigation, confirmez avec le bouton OK
- Faites défiler jusqu'à "Format date" à l'aide des boutons ↑(A) et (B). Appuyez sur OK pour confirmer
- Choisissez parmi les trois options AAAA / MM / JJ, JJ / MM / AAAA et MM / JJ / AAAA en utilisant les boutons ↑(A) et (B)
- Appuyez sur OK pour confirmer votre choix.

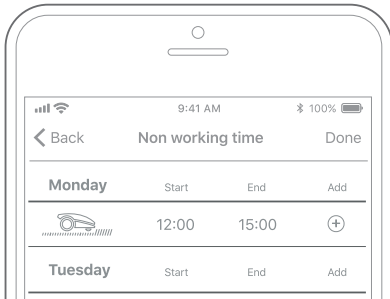
Réglage de la date et de l'heure

- Ouvrez Landroid et insérez le code PIN
- Appuyez sur le bouton → (D). l'écran montre le menu
- Sélectionnez l'icône engrenage avec les boutons de navigation, confirmez avec le bouton OK
- Faites défiler jusqu'à "Régler la date et l'heure" à l'aide des boutons ↑ (A) et (B). Appuyez sur OK pour confirmer
- La date est mise en évidence
- Lorsque vous appuyez sur OK, le premier chiffre est mis en surbrillance.
- Utilisez les boutons (A) et (B) pour changer le chiffre en surbrillance.
- Utilisez les boutons ← (C) et → (D) pour sélectionner d'autres chiffres de la date.
- Utilisez les boutons ↑(A) et (B) pour entrer une nouvelle valeur.
- Appuyez sur OK pour confirmer la date
- Faites défiler vers le bas avec le bouton (B). Le temps est en surbrillance. Appuyez sur OK pour sélectionner
- Changez l'heure avec la même procédure que pour la date. Appuyez sur OK pour confirmer
- L'heure et la date ont déjà été établies.

RÉGLER LE TEMPS DE SODADO

Landroid crée sa propre planification automatique et ses heures de travail en fonction de la taille de la pelouse et d'autres facteurs. Nous déconseillons d'ajuster ce paramètre manuellement. Toutefois, si vous préférez, il existe 3 façons de régler le temps de coupe.

1. Utilisez l'application et suivez un simple menu à l'écran.



2. Définir le pourcentage de temps de travail via le panneau de commande Landroid

En fonction du taux de croissance de l'herbe, vous voudrez peut-être que Landroid travaille un peu plus ou moins. Vous pouvez ajuster le temps de travail par incréments de pourcentage et Landroid recalculera automatiquement votre temps de travail.



- Ouvrez la tondeuse et insérez le code PIN
- Appuyez sur le bouton ↑(A) ou sur le bouton (B) pour régler le temps de travail par incréments de 10%.
- Landroid va maintenant calculer automatiquement un temps de travail révisé

3. Ajustez chaque jour

Landroid est configuré en usine pour démarrer automatiquement à 9 : 00 tous les jours, mais vous pouvez ajuster ce paramètre. C'est comme ça.

- Allumez Landroid et insérez le code PIN
- Appuyez sur le bouton → (D)
- Faites défiler avec les boutons ← (C) et →(D) jusqu'à l'icône de l'horloge et appuyez sur OK pour confirmer.
- Maintenant vous êtes dans le menu "temps de travail"
- Sélectionnez "Auto Work Time" et appuyez sur OK
- Sélectionnez la taille de votre pelouse en m2 en vous déplaçant avec les boutons ↑(A) et ↓(B) et le bouton sélectionnant la taille correcte.
- Appuyez sur le bouton retour pour revenir au menu "temps de travail"
- Maintenant, sélectionnez l'option "Personnaliser le temps de travail", appuyez sur OK
- Les jours de la semaine apparaîtront avec les heures de travail en heures et en minutes.
- Maintenant, sélectionnez un jour de la semaine, appuyez sur OK
- Maintenant, un menu d'horaire de travail pour ce jour-là apparaîtra.
- Appuyez sur OK pour faire clignoter les chiffres des heures
- Sélectionnez la nouvelle heure de début en heures et en minutes en appuyant sur les boutons ← (C) et → (D). Vous pouvez modifier les valeurs des heures ou des minutes à l'aide des boutons ↑(A) et (B).
- Ensuite, sélectionnez la nouvelle heure d'arrêt en heures et en minutes. Puis appuyez sur OK pour confirmer
- Après le succès, vous verrez que le nombre total d'heures de travail de la journée a été mis à jour en fonction des heures de début et de fin que vous avez entrées.
- Pour modifier l'heure de début des autres jours de la semaine, retournez au menu d'heures de travail personnalisé précédent et répétez les étapes précédentes.

N'oubliez pas que, Landroid étant autonome, si vous choisissez "Heures de travail automatiques", les heures de travail personnalisées que vous êtes en train de programmer seront réinitialisées.

Variation du délai de pluie

Si vous vivez dans une région de fortes précipitations, il peut être utile de régler le délai de pluie afin que le Landroid puisse fonctionner lorsqu'il est mouillé. Pour ce faire, procédez comme suit:

- Allumez Landroid et insérez le code PIN
- Appuyez sur le bouton → (D) et appuyez sur OK pour sélectionner l'icône représentant une roue dentée dans le menu "Paramètres généraux".
- Dans le menu "Paramètres généraux", accédez à l'option "Temporisation du début de pluie" en appuyant sur le bouton (B), puis appuyez sur OK.
- Vous verrez maintenant le délai de pluie par défaut de 180 min. Appuyez sur OK pour modifier cette heure
- Vous pouvez utiliser les boutons ← (C) et → (D) pour sélectionner les chiffres et les boutons ↑ (A) et (B) pour augmenter ou diminuer le retard de la pluie.
- Pour éliminer complètement le retard de pluie, choisissez 000 minutes.
- Puis appuyez sur le bouton Retour pour quitter

Définir différentes zones

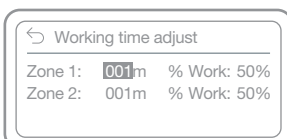
Landroid est conçu pour tondre de manière uniforme une pelouse complexe. Cependant, vous devrez parfois ajuster les heures de travail de chaque secteur. Pour ce faire, vous devez d'abord définir ces différentes zones du jardin (jusqu'à 4), puis vous pouvez ajuster le temps de travail de chaque zone. Pour définir chaque région, procédez comme suit:

- À partir de la base de chargement de Landroid
- Allumez Landroid et insérez le code PIN
- Appuyez sur le bouton → (D) pour sélectionner l'icône de l'horloge, puis appuyez sur OK pour confirmer.
- Vous êtes maintenant dans le menu de l'horaire de travail.
- Faites défiler jusqu'à l'option Définir la zone. Presse OK
- Vous pouvez sélectionner jusqu'à 4 zones
- Sélectionnez le nombre de zones que vous souhaitez et appuyez sur OK.
- L'écran vous invitera à appuyer sur le bouton START pour définir la zone.
- Après avoir appuyé sur START, la tondeuse commencera à suivre les câbles.
- Appuyez sur Terre car Landroid atteint la zone à marquer comme zone 1.
- Choisissez OUI pour enregistrer votre sélection
- Appuyez sur le bouton START pour amener le Landroid à la zone suivante, puis appuyez sur STOP lorsqu'il atteint la zone 2.
- Si vous avez besoin de définir plus de zones, répétez les étapes précédentes

Espace de travail personnalisé

Pour personnaliser les heures de travail pour chaque secteur:

- Allumez Landroid et insérez le code PIN
- Appuyez sur le bouton → (D)
- Utilisez le bouton → (D) pour accéder à l'icône de l'horloge et appuyez sur OK pour confirmer.
- Vous êtes maintenant dans le menu de l'horaire de travail.
- Utilisez le bouton (B) pour afficher «Réglage de la durée du travail» et appuyez sur OK.
- La zone numérotée apparaîtra.
- La zone 1 demandera la surface de travail de m² et le pourcentage de temps de travail pour cette zone
- Utilisez les boutons ↑ (A) et (B) pour entrer la zone de travail en m², puis appuyez sur OK.
- Ensuite, le curseur se déplace vers le pourcentage de travail.
- Ici, vous pouvez ajuster le pourcentage.
- Vous pouvez ensuite utiliser les boutons ← (C) et → (D) pour passer à la zone suivante afin d'ajuster la taille et la durée de travail de la Zone 2.
- Puis appuyez sur le bouton Retour pour quitter
- Gardez à l'esprit que la somme des pourcentages de toutes les régions doit être égale à 100%.



Cette section contient des instructions pour les actions et les messages d'erreur possibles affichés par Landroid. Enfin, une section de dépannage est conçue pour vous aider à comprendre et à résoudre tout problème.

MESSAGES D'OPÉRATION

MESSAGE	LANDROID ACTION
Couper l'herbe	Tondre selon l'horaire de tonte.
Il pleut	Le capteur de pluie détecte l'eau. Le Landroid retournera à la base de chargement et restera dans la base de chargement pendant la durée programmée. Après le séchage, le Landroid commence à retarder et compte à rebours automatiquement, puis coupe à nouveau la pelouse. Si vous souhaitez que Landroid tonde votre pelouse avant, éteignez-la puis rallumez-la, mais uniquement si le capteur de pluie est sec ou si vous pouvez régler le délai à 0 minute.
Aller à la maison	besoin de charger: la lame de coupe s'arrête pour économiser de l'énergie lors de son déplacement vers la base
Chargement	Affichez "Charger" et chargez le pourcentage.
Pas de temps de travail	En attente, vous devez programmer si nécessaire.
Ne fonctionne pas aujourd'hui	Le mode veille démarrera en fonction de la configuration du programme.
Travail effectué aujourd'hui	
Recherche de zone	En fonction de la configuration de "l'espace de travail personnalisé", Landroid recherche une zone pour tondre la pelouse.
Pleine charge	Landroid a été complètement chargé
Charge d'urgence	Landroid est chargé en état d'arrêt.

MESSAGE D'ERREUR

Parfois, les choses tourment mal. Heureusement, Landroid est assez intelligent pour vous dire si vous résolvez le problème afin qu'il puisse être résolu. Si vous avez des questions, visitez notre site Web où vous pouvez trouver des vidéos utiles et davantage d'assistance.

MESSAGE	RAISON	ACTION
En dehors de la zone de travail! Appuyez sur START pour redémarrer	Landroid n'a pas pu trouver le signal de la ligne de limite.	<p>Si le Landroid est vraiment en dehors de votre zone de travail: mettez le Landroid hors tension, placez-le dans la zone de travail, allumez-le et appuyez sur Démarrer.</p> <p>Si Landroid situé dans la zone de travail, vérifiez la LED sur le socle de charge est vert. Sinon, assurez-vous que le socle de chargement est correctement connecté au chargeur et à la source d'alimentation appropriée.</p> <p>S'ils sont connectés correctement, la ligne de limite est mal fixée et doit être inversée.</p>
INCORRECT PIN! Veuillez réessayer.	Le code PIN est incorrect.	Entrez le code PIN correct ou redémarrez-le.
Panne du moteur de la lame! Appuyez sur START pour redémarrer	La lame La lame est bloquée par un objet, par exemple. une branche.	<p>Éteignez le pouvoir.</p> <p>Inversez le Landroid et vérifiez si quelque chose empêche la lame de tourner.</p> <p>Redressez le Landroid. Allumez le pouvoir. Appuyez sur start.</p>
	La feuille est surchargée d'herbe épaisse.	<p>Éteignez le pouvoir.</p> <p>Placez le Landroid sur une zone plus courte de l'herbe ou réglez la hauteur de coupe sur un réglage plus élevé.</p> <p>Allumez le pouvoir. Appuyez sur start.</p>
Panne moteur de la roue! Appuyez sur START pour redémarrer	Le moteur de roue est bloqué d'une certaine manière.	<p>Mettez le Landroid hors tension, placez-le dans un endroit sans obstacles. Allumez le pouvoir. Appuyez sur start.</p> <p>Si le message d'erreur persiste, éteignez l'appareil. Inversez le Landroid et vérifiez si quelque chose empêche la lame de tourner.</p> <p>Supprimez les obstacles et mettez le Landroid à la verticale pour l'allumer.</p>

Retournez de haut en bas! Appuyez sur START pour redémarrer	Cela peut arriver lorsque le Landroid touche une surface en pente qui le fait basculer.	Soulevez le Landroid et enlevez tous les obstacles qui pourraient provoquer son renversement.
Tondeuse est coincée! Appuyez sur START pour redémarrer	Landroid est bloqué.	<p>Éteignez le pouvoir.</p> <p>Amenez le Landroid sur la pelouse où il n'y a aucun obstacle, puis allumez l'appareil. Appuyez sur start.</p> <p>Si le message d'erreur reste affiché, mettez l'appareil hors tension, mettez le Landroid à l'envers. Vérifiez si quelque chose empêche la roue de tourner.</p> <p>Supprimez les obstacles et mettez le Landroid à la verticale pour l'allumer.</p>
Tondeuse est en place! Appuyez sur START pour redémarrer	Landroid se lève.	<p>Éteignez le pouvoir.</p> <p>Emmenez le Landroid dans l'herbe sans obstacles et allumez l'appareil. Appuyez sur start.</p> <p>Si vous continuez à recevoir le message d'erreur: mettez l'appareil hors tension, inversez le Landroid et vérifiez qu'il n'y a pas d'impulsion.</p> <p>Retirez tous les objets possibles et mettez le Landroid à la verticale pour le mettre sous tension.</p>
La tension de la batterie est trop basse. S'il vous plaît changer la batterie.	Batterie s'épuise.	<p>Dans ce cas, vous devez éteindre le Landroid et le mettre dans la station de chargement, puis il affichera "Chargement d'urgence" et commencera à charger.</p> <p>Si l'erreur persiste, la batterie est endommagée et doit être remplacée.</p>
Câble est manquant! Appuyez sur START pour redémarrer	La machine n'a pas pu trouver le signal de ligne limite.	<p>Si le voyant LED est rouge, vérifiez que la ligne de démarcation est bien connectée au clip de la base de chargement.</p> <p>Si le problème persiste, vérifiez si la ligne de limite n'est pas coupée.</p>
La température de la batterie est hors de portée! S'il vous plaît soyez patient	La température est trop élevée pendant la charge (plus de 55°C).	Placez la base de chargement dans la position correcte ou attendez que la température se soit refroidie.

<p>La station de charge est introuvable et appuyez sur START pour redémarrer.</p>	<p>La ligne de limite dépasse sa longueur maximale (1145 pieds) ou la machine n'a pas assez de puissance pour retourner à la station de charge.</p>	<p>Prenez le Landroid jusqu'à la station de charge.</p>
<p>Tondeuse est bloquée!</p>	<p>Lorsque la "fonction de verrouillage" est activée, si le Landroid ne reçoit pas de signal du routeur Wi-Fi dans les 3 jours, il sera bloqué par mesure de sécurité.</p> <p>Cela peut venir du fait que votre routeur est éteint ou que vous avez remplacé un routeur Wi-Fi ou un fournisseur de réseau.</p>	<p>Reconnectez Landroid au réseau Wi-Fi initialement couplé.</p> <p>Si ce n'est pas possible, contactez le service clientèle.</p>

NOTES

- Avant de brancher l'alimentation, assurez-vous que le Landroid se trouve dans votre zone de travail. Sinon, la "Zone de travail externe!" Est affichée. Appuyez sur START pour redémarrer sera affiché. Ce message est également affiché lorsque la pièce Landroid n'est pas complètement dans votre zone de travail.
- Si pour une raison quelconque - fête, enfants, jouent ... - Vous voulez garer votre Landroid à la base du péage: appuyez sur la touche d'accueil puis sur OK. Landroid entrera dans sa base et y restera. N'oubliez pas que Landroid attendra maintenant jusqu'à la prochaine session de coupe planifiée. Si vous souhaitez le redémarrer à tout moment, appuyez sur Démarrer puis sur OK pour démarrer votre Landroid.
- Si vous faites des erreurs répétées dans la même zone de la pelouse, vous risquez d'avoir des problèmes avec les lignes de limite. Consultez les instructions d'installation ci-dessus et vérifiez la configuration avec votre aide.
- Si votre pelouse est divisée en deux zones distinctes, connectez-vous via un couloir de moins de 3 pieds, dont l'une n'a pas de base de chargement: lorsque le Landroid est épuisé, amenez-le manuellement au quai de chargement et commencez le processus de charge.
- Si le Landroid fonctionne anormalement, éteignez-le et retirez la batterie pendant 30 secondes, puis redémarrez-le puis redémarrez-le. Si le problème ne peut pas être résolu, contactez votre représentant de service WORX pour obtenir de l'aide.

SOLUTION DE PROBLÈMES

Si votre Landroid ne fonctionne pas correctement, suivez le guide de dépannage ci-dessous. Si le problème persiste, contactez le service clientèle.

SYMPTÔME	RAISON	SOLUTION
Le voyant LED de la base de chargement ne s'allume pas.	Il n'y a pas de pouvoir	Vérifiez que le socle de chargement est correctement connecté à l'adaptateur secteur et à la source d'alimentation appropriée.
Le voyant rouge illumine la base de chargement.	La ligne de limite n'est pas connectée.	Vérifiez que la ligne de division est correctement connectée à la base de chargement. Vérifiez la limite de ligne pour les pauses.
Landroid s'ouvre, mais la lame ne bouge pas.	Landroid recherche une base de chargement.	Ceci est normal, le Landroid doit être rechargé et la tête de coupe ne tourne pas lorsqu'elle recherche automatiquement la base de chargement.
Landroid vibration.	Le disque est déséquilibré. La lame peut être endommagée.	Inspectez la lame et remplacez-la si elle est endommagée. Enlevez les débris et les corps étrangers de la lame et de la lame.
L'herbe est coupée inégalement	Landroid ne travaille pas assez d'heures par jour pour tondre la pelouse.	Ajouter plus d'heures pour tondre le temps.
	La zone de coupe est trop grande pour s'adapter à la taille de votre Landroid.	Essayez de réduire la taille de la zone de coupe.
	La lame est émoussée et non tranchante.	Remplacez toutes les lames et les vis pour équilibrer la lame.
	La hauteur de coupe est trop basse et ne convient pas à la longueur de la pelouse.	Augmentez la hauteur de coupe puis diminuez progressivement.
	De l'herbe ou d'autres objets sont enroulés autour du disque à lame.	Vérifiez la lame et enlevez toute herbe ou autre objet qui pourrait l'empêcher de tourner.
	Il y a une accumulation d'herbe sur le disque de coupe ou dans le carter du moteur.	Assurez-vous que le disque est facile à tourner. Si nécessaire, vous pouvez retirer la lame et enlever les débris.
Votre Landroid est dans votre zone de travail et la limite est connectée, mais l'écran affiche " Zone de travail externe" ! Appuyez sur START pour redémarrer	La fin de la ligne de limite est mal tenue.	Inversez l'extrémité de la ligne de limite et reconnectez-vous à la station de charge.

Le temps de charge dépasse de loin le temps de charge nominal.	Le gaspillage dans la bande de charge provoque une mauvaise connexion.	Utilisez un chiffon pour nettoyer le stylet sur la base de chargement et la bande de chargement sur le Landroid.
	Le programme de protection de charge est activé en raison de la température élevée ou basse.	Placez la base de chargement dans la position correcte ou attendez que la température se soit refroidie.
Les tondeuses sont gratuites.	Il n'y a pas de pouvoir	Assurez-vous que le cordon d'alimentation est correctement connecté au chargeur et à la source d'alimentation appropriée. Assurez-vous que les deux broches de chargement de la tondeuse touchent le centre du crayon dans la base de chargement.
Landroid a commencé à réduire le temps d'exécution entre les chargements.	Quelque chose est bloqué dans le disque de la lame, ce qui crée des frictions et augmente la consommation d'énergie.	Retirez le disque de la lame et nettoyez-le. L'herbe est trop haute et trop épaisse.
	Landroid tremble beaucoup parce que le disque de la lame est déséquilibré.	Inspectez la lame et la lame pour éliminer les débris et les corps étrangers de la lame. Remplacez la lame par une nouvelle.
	La batterie est peut-être épuisée ou vieillie.	Remplacez la batterie.
Landroid ne fonctionne pas au bon moment.	L'horloge n'est pas réglée à la bonne heure.	Réglez l'horloge à l'heure correcte.
	Le temps de coupe du programme Landroid est incorrect.	Modifier le réglage de l'heure de la tondeuse pour démarrer et arrêter.
Landroid ne se connecte pas correctement à la base de chargement.	Impact sur l'environnement	Redémarrez Landroid.
	Le gaspillage dans la bande de charge provoque une mauvaise connexion.	Utilisez un chiffon pour nettoyer le stylet sur la base de chargement et la bande de chargement sur le Landroid.
Le voyant vert de la base de chargement s'allume et la charge est terminée.	La base de chargement est surchauffée. L'affichage indique "La température de la batterie est hors de portée! Soyez patient".	Placez la base de chargement dans la position correcte ou attendez que la température se soit refroidie.
La roue Landroid glisse ou glisse à plusieurs reprises.	Landroid peut présenter des obstacles étranges tels que des branches et des branches.	Enlevez les corps étrangers du bas du Landroid.
	L'herbe est trop humide.	Attendez que l'herbe soit sèche.

<p>Landroid fonctionne en dehors de la limite.</p> <p>Landroid ne coupe pas la zone dans la zone de délimitation.</p> <p>Landroid inverse ou tourne de manière irrégulière autour de la ligne de démarcation.</p>	<p>La ligne de démarcation d'un autre robot de découpe Landroid ou d'un autre robot de marque est trop étroite.</p>	<p>Assurez-vous qu'il y a au moins 3 pieds d'espace entre votre limite et votre voisin.</p>
	<p>En conditions humides, le signal électrique de la ligne de limite peut fuir lorsque le câble a été connecté ou réparé.</p>	<p>Vérifiez le connecteur de la ligne de limite. Isolation pour fournir une connexion complètement étanche.</p>
	<p>Il y a une fuite de signal électrique dans la ligne de limite en raison de la rupture de l'isolation.</p>	<p>Réparez les lignes de division endommagées à l'aide des connecteurs de câble fournis.</p>
<p>Landroid glisse hors de la colline depuis la zone de travail.</p>	<p>Faible adhérence de la roue motrice Landroid.</p>	<p>Vérifiez que les roues sont propres et exemptes de boue pour une adhérence maximale.</p>
<p>Landroid sera bloqué pendant le chargement ou l'attente.</p>	<p>Échec du logiciel ou de l'écran.</p>	<p>Redémarrez Landroid.</p>
<p>Landroid s'éteindra quand il sera amarré au quai de chargement.</p>	<p>Landroid ne peut pas être rechargé en raison d'une protection contre la surchauffe et a été désactivé.</p>	<p>Placez la base de chargement dans la position correcte ou attendez que la température se soit refroidie.</p>
	<p>Mauvaise connexion.</p>	<p>Vérifiez le voyant LED sur la base de chargement.</p> <p>Vérifiez la connexion entre le crayon sur la base de chargement et la bande de chargement.</p>
<p>Landroid est stationné dans la zone de travail.</p>	<p>Il y a des obstacles dans la zone de travail.</p>	<p>Excluez les obstacles dans la zone de travail Landroid.</p>
	<p>La hauteur de coupe est trop basse et ne convient pas à la longueur de la pelouse.</p>	<p>Augmentez la hauteur de coupe puis diminuez progressivement.</p>
	<p>La ligne de démarcation étendue ne doit pas dépasser 1145 pieds, sinon elle pourrait causer des problèmes de signal.</p>	<p>Réduisez la longueur de la ligne de limite.</p>
	<p>La distance entre le centre de la pelouse et la limite ne doit pas dépasser 82 pieds, sans quoi une atténuation du signal pourrait se produire.</p>	<p>Réduisez la distance entre le centre de la pelouse et le périmètre de la ligne de délimitation à moins de 82 pieds.</p>
<p>Landroid retourné.</p>	<p>Il y a un obstacle en pente sur la pelouse.</p>	<p>Excluez les obstacles dans la zone de travail Landroid.</p>

<p>Landroid ne peut pas se connecter à Internet.</p>	<p>S'il vous plaît, vérifiez si votre routeur a la configuration correcte.</p>	<p>Assurez-vous que votre routeur est à 2.4 GHz. Si votre routeur a deux configurations, activez la bande 2.4 GHz.</p> <p>Assurez-vous que le mode de configuration sans fil 802.11 de votre routeur est mixte b / g / n.</p> <p>Assurez-vous que le routeur active la transmission SSID lors de la connexion de l'appareil à l'application.</p> <p>Vous pouvez le fermer après une connexion réussie.</p> <p>Assurez-vous que la fonction DHCP est activée.</p> <p>Si vous changez de réseau Wi-Fi, vous devrez connecter Landroid au nouveau réseau.</p> <p>Si vous avez un routeur "Fritz! Box", veillez à activer "Autoriser la communication entre périphériques situés sur le même réseau" dans la configuration.</p>
--	--	---

Protection de l'environnement

Les déchets de produits électriques ne doivent pas être jetés avec les ordures ménagères. Veuillez recycler l'endroit où l'installation existe. Veuillez consulter votre gouvernement local ou votre distributeur pour des conseils de recyclage.

DONNÉES TECHNIQUES

SPÉCIFICATIONS	WR140 WR143	WR150 WR153
Tension nominale	20V Max.*	
Pas de vitesse de chargement	2800/min.	2200/min
Zone de coupe	10 890 pieds carrés (1/4 acre)	21.78 pies cuadrados (1/2 acre)
Diam de coupe	18 cm (7")	22 cm (8.7")
Hauteur de coupe	50 mm-90 mm (1.9"-3.5")	40 mm-100 mm (1.6"-3.9")
Hauteur de coupe position	5	
Type de batterie	Ion lithium	
Modèle de batterie	WA3578.3	
Temps de charge environ	90 min.	
Modèle de chargeur	WA3752	
Note du chargeur	Entrez: 120 V~60 Hz, 90 W, Sortie: 20 V, 3.0 A	
Poids mécanique	9.6 kg (21.16 lbs)	10.4 kg (22.9 lbs)
Niveau de protection	III	
App	Oui	
Bande de module WLAN intégrée	2.14GHz-2.484GHz	
Maximum. Puissance RF du module WLAN intégré	802.11b:+16±2dBm(@11Mbps) 802.11g:+14±2dBm(@54Mbps) 802.11n:+13±2dBm(@HT20,MCS7)	

* Mesurer la tension sans charge. La tension initiale de la batterie peut atteindre 20 volts. La tension nominale est de 18 volts.

ÍNDICE

Bienvenida

Pág 79 Información de contacto

Familiar con Landroid

Pág 80 Que hay en tu caja

Pág 82 Aprende más sobre Landroid

Pág 84 Cómo funciona Landroid

Comenzar

Pág 86 Planificación

Pág 89 Instalación

Pág 93 Iniciar Landroid

Pág 95 Conecta Landroid a Internet

Pág 97 Uso de app

Pág 98 Opción de Landroid

Mantenimiento

Pág 99 Mantenerse afilado

Pág 100 Manténlo limpio

Pág 101 Asegurar la batería adecuada

Pág 101 Mantener almacenado durante el invierno

Pág 101 Mantenerse al día

Referencia rápida

Pág 103 Programación manual

Pág 106 Mensajes de operación

Pág 107 Mensajes de error

Pág 110 Solución de problemas

Pág 114 Datos técnicos

Gracias por comprar la segadora robotizada Worx Landroid.

Totalmente autónomo, totalmente configurable, flexible y eficiente, Landroid cortando el césped para brindarle el mejor césped. Este manual de usuario le ayudará con la configuración.

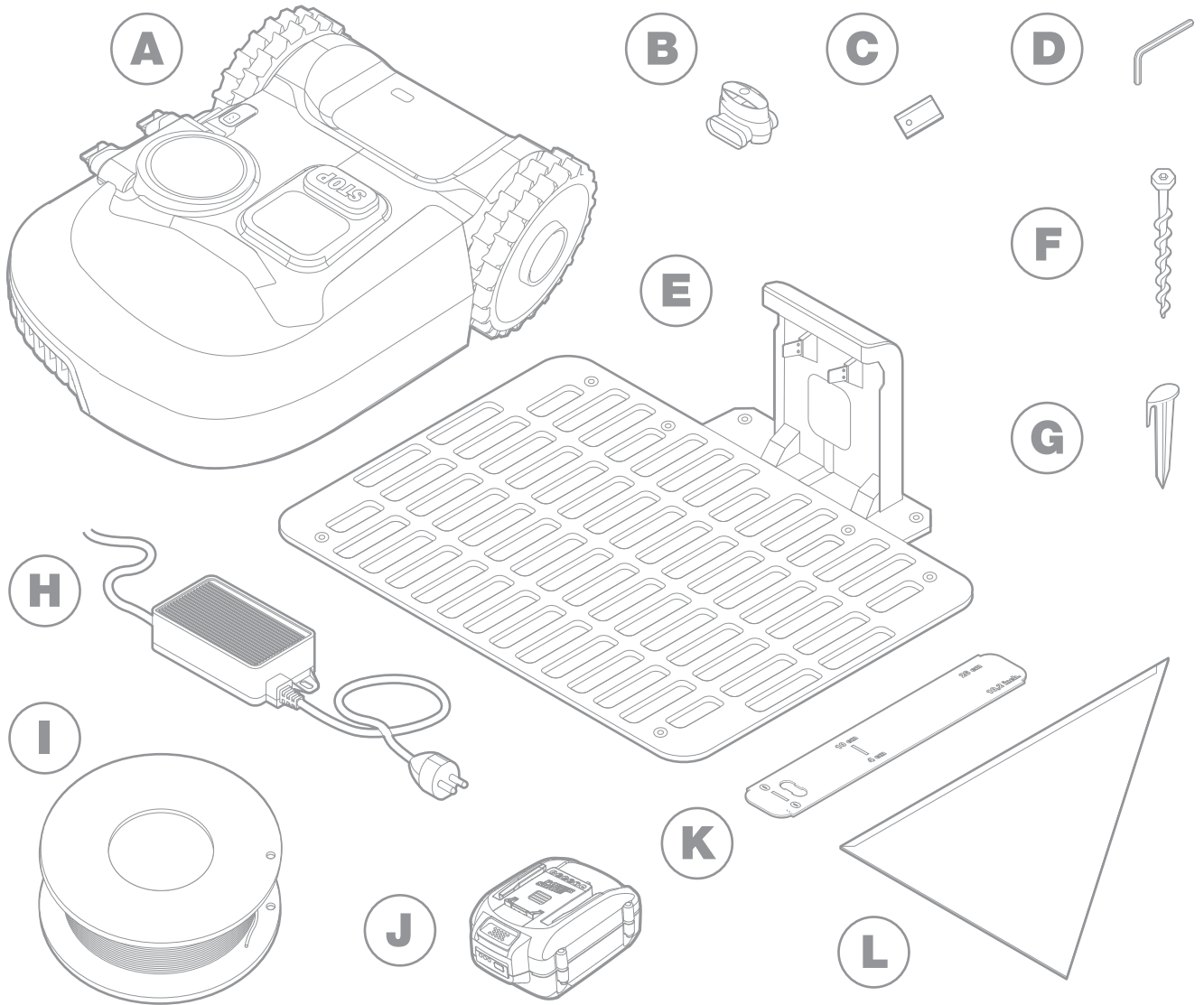
Estamos aquí para ayudarte:**Apoyo**

www.worx.com

**Línea directa de atención al cliente**

800-727-6260

QUE HAY EN TU CAJA



A 1 Worx Landroid M

B Conector de reparación de 2 hilos

C 3 kits de cuchillas de repuesto

D 1 llave allen

E Base de cargamiento

F 8 tornillos

G Clavo de alambre x 250

H 1 fuente de alimentación

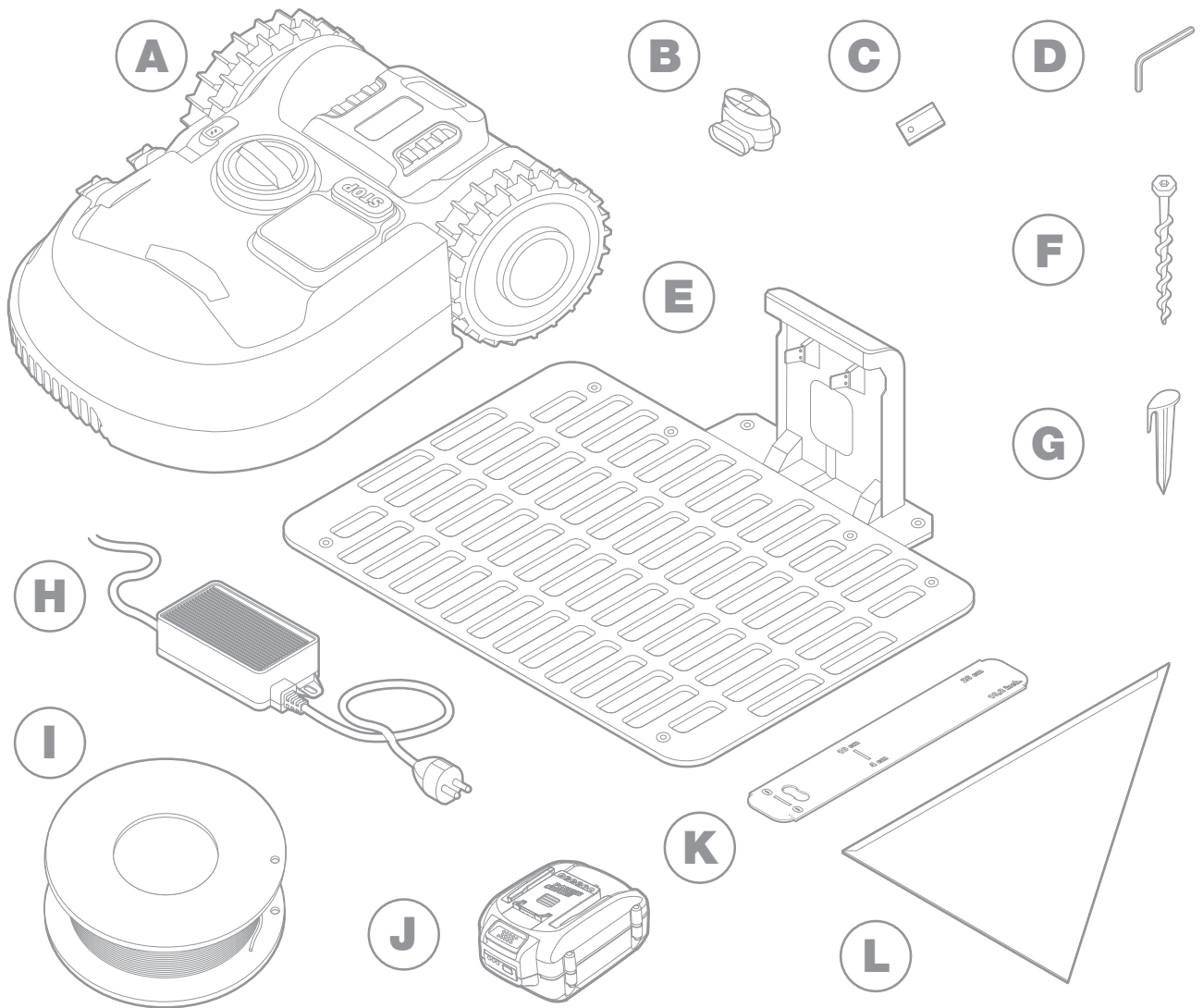
I 590 pies de línea de límite

J 1 20V 4.0Ah batería

K Indicadores de distancia entre línea de borde

L 1 Bertelsen regla

QUE HAY EN TU CAJA



A 1 Worx Landroid L

B Conector de reparación de 2 hilos

C 3 kits de cuchillas de repuesto

D 1 llave allen

E Base de cargamiento

F 8 tornillos

G Clavo de alambre x 270

H 1 fuente de alimentación

I 656 pies de línea de límite

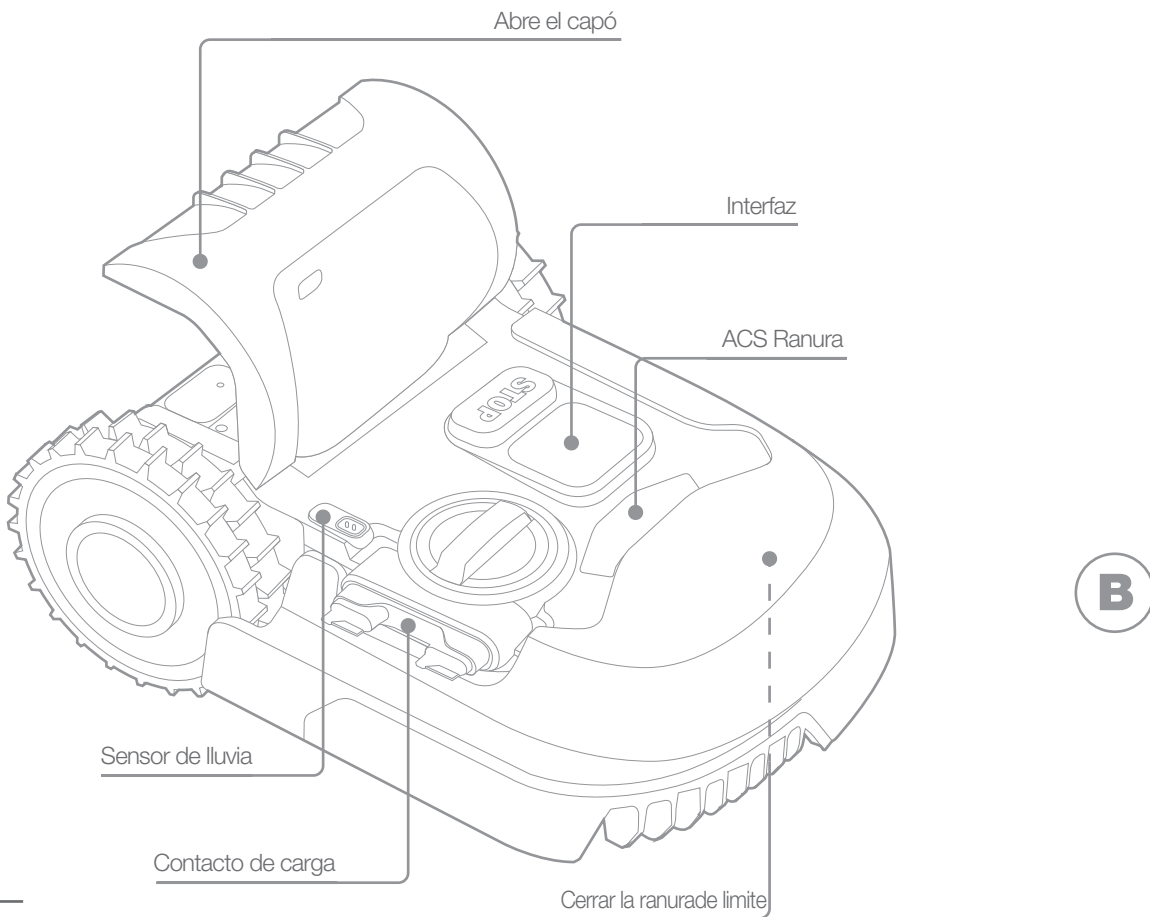
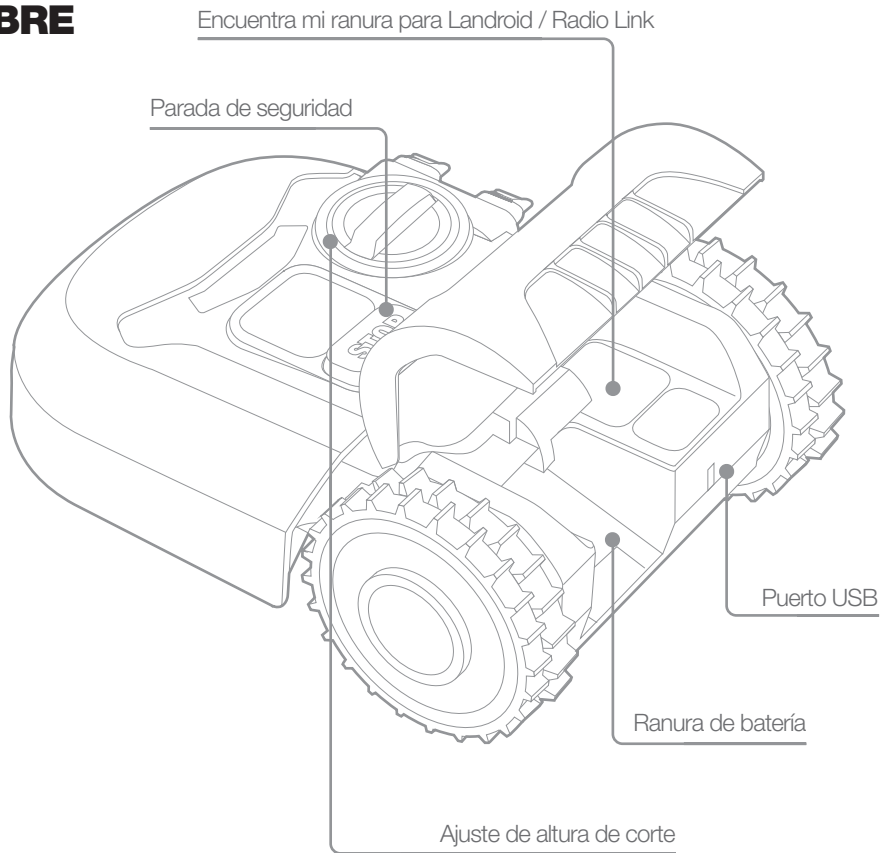
J 1 20V 4.0Ah batería

K Indicadores de distancia entre línea de borde

L 1 Bertelsen regla

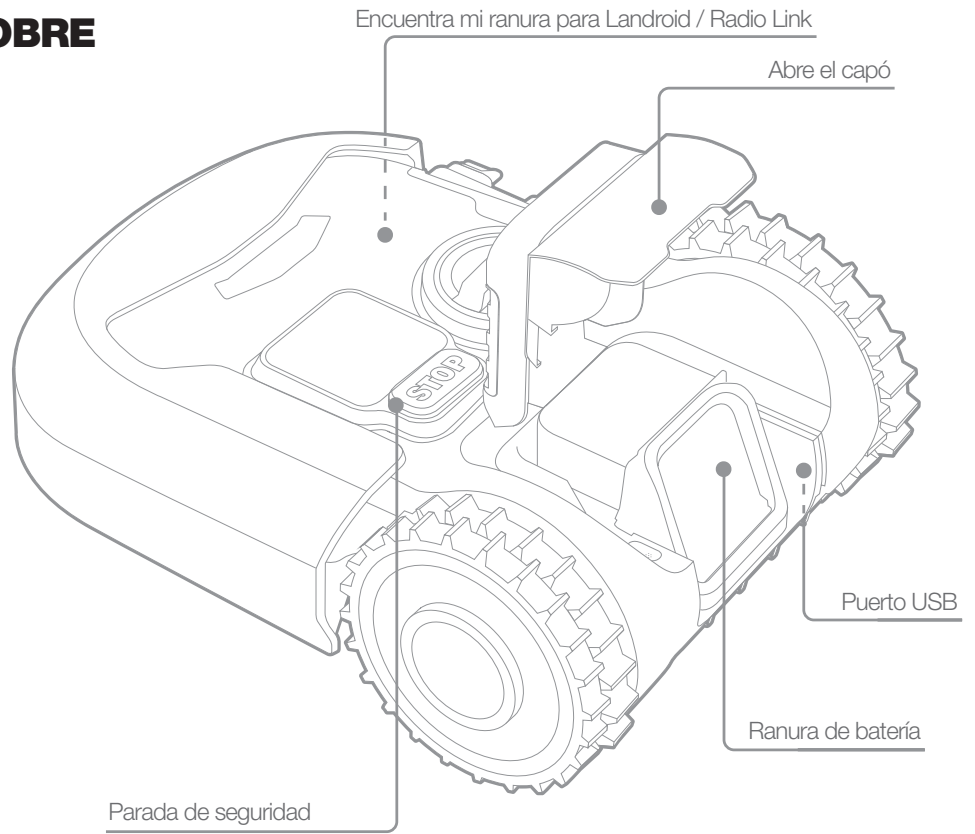
APRENDE MÁS SOBRE LANDROID M

A

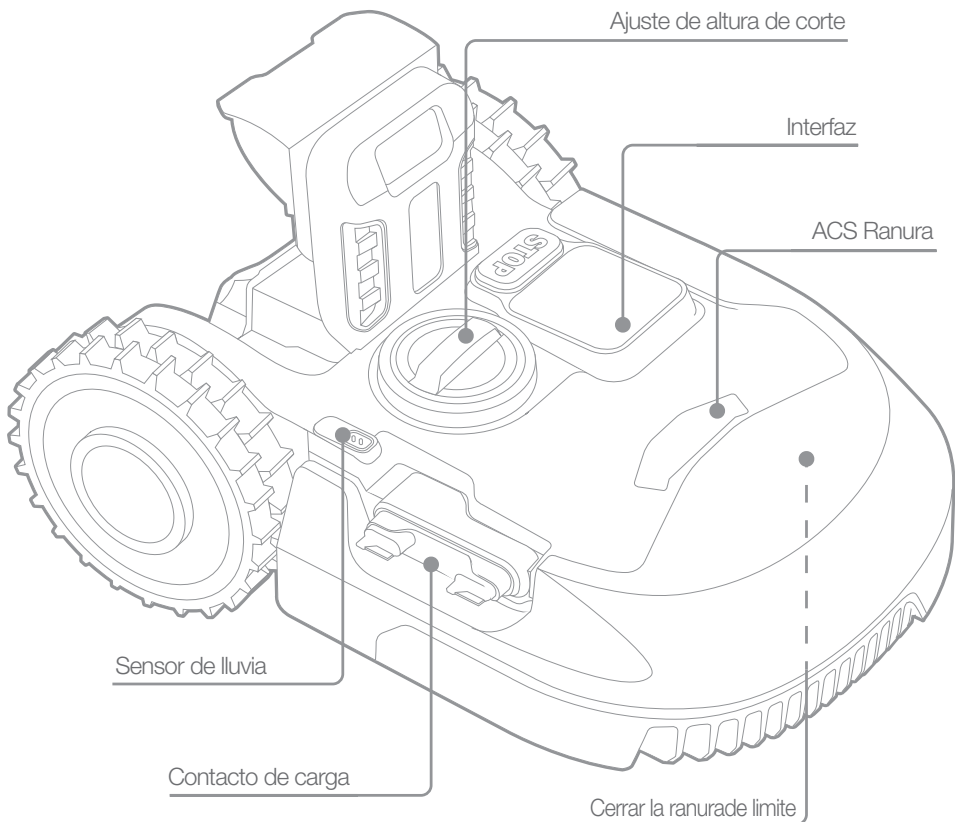


APRENDE MÁS SOBRE LANDROID L

A



B



CÓMO FUNCIONA LANDROID

En la siguiente sección, esperamos ayudarlo a comprender mejor cómo funciona Landroid. Landroid es una máquina autónoma que puede funcionar de forma independiente. Landroid sabe el momento oportuno de realizar el cargamiento de energía; puede captar si está lloviendo; si detecta un problema, puede auto-detenerse; y cuando se golpera con algo que bloquee su camino, es conciente de detenerse, retroceder y cambiarse la dirección. Para evitar accidentes, si levanta tierra, Landroid también detendrá su rotación automáticamente.

Programación automática inteligente



La aplicación Landroid en sí, aprende sobre tu césped y construye una línea de tiempo perfecta para ello. Incluso si puede programarlo manualmente, le recomendamos que aproveche esta programación automática avanzada conectando Landroid a Internet y utilizando la aplicación gratuita de Landroid..

Se carga a si mismo



Cuando deba recargar su Landroid, dejaría de cortar el césped y seguirá la línea de borde en sentido contrareloj hasta su base de cargamiento. Una vez finalizada la carga, Landroid reanudará automáticamente el programa de corte de césped o permanecerá en la base de cargamiento de acuerdo con la programación de actividad.

Gestión de fronteras



Landroid planea cortar hierba a lo largo del perímetro del césped una vez a la semana el lunes. Si desea cambiar este ajuste preestablecido, puede realizar cambios a través de su teléfono inteligente o mediante el panel de control en el menú Horas de trabajo - Horas de trabajo personalizadas. Consulte las instrucciones detalladas al final de este manual del usuario.

Sensor de lluvia



Landroid es 100% impermeable y feliz de estar afuera. Pero cortar el césped húmedo no le da el mejor acabado o resultado. El Landroid está equipado con un sensor de lluvia que la detecta y que le manda un orden a Landroid para que pare y vuelva a su base de cargamiento.

Retraso de lluvia



Después de la lluvia, cuando la hierba ya no está húmeda, el Landroid se reinicia. El tiempo predeterminado de demora por lluvia es de 180 minutos. Puede cambiar la configuración del tiempo de demora por lluvia a través de la aplicación Landroid o usando el panel de control. Consulte las instrucciones detalladas al final de este manual del usuario.

En un clima más extremo ...

En el caso de una tormenta eléctrica, con tal para proteger del Landroid, desenchufe la base de cargamiento y desconecte el cable de borde, y asegúrese de que el Landroid no se estará cargando. En el invierno, especialmente en climas muy fríos, recomendamos guardar el Landroid en interiores.

Ya no coleccionar recortes de césped.

El corte diario de Landroid produce recortes muy cortos que no necesitan inclinarse. Estos recortes son el nutriente orgánico perfecto para su césped. El corte regular puede aumentar la densidad de las hojas de la hierba y prevenir efectivamente que las malezas se multipliquen.

Cortar hasta el borde

Los modelos Landroid M y L tienen una función de recorte. La cuchilla offset especial está lo más cerca posible del borde del césped, lo que hace que sea casi imposible recortarla.

Altura de corte

La altura de corte de Landroid M se puede ajustar entre 1.9" -3.5" en cada movimiento de 10mm.

La altura de corte de Landroid L se puede ajustar entre 1.6" -3.9" en cada movimiento de 10mm. El disco de la cuchilla de Landroid L se puede ensamblar de dos maneras según la altura de la hierba. La altura de corte original se puede ajustar de 1.6" a 3.1". Al girar el conjunto del disco de la cuchilla, la altura de corte se puede ajustar de 2.4" a 3.9" con las cuchillas en la parte inferior del disco de la cuchilla.

Antes de iniciar Landroid por primera vez, asegúrese de que el césped no tenga más de 4". Si es más largo, use un cortacésped convencional para cortar antes de ejecutar Landroid. Si desea reducir significativamente la altura del césped, se recomienda ajustar gradualmente la altura de corte y acortar gradualmente la altura del césped.

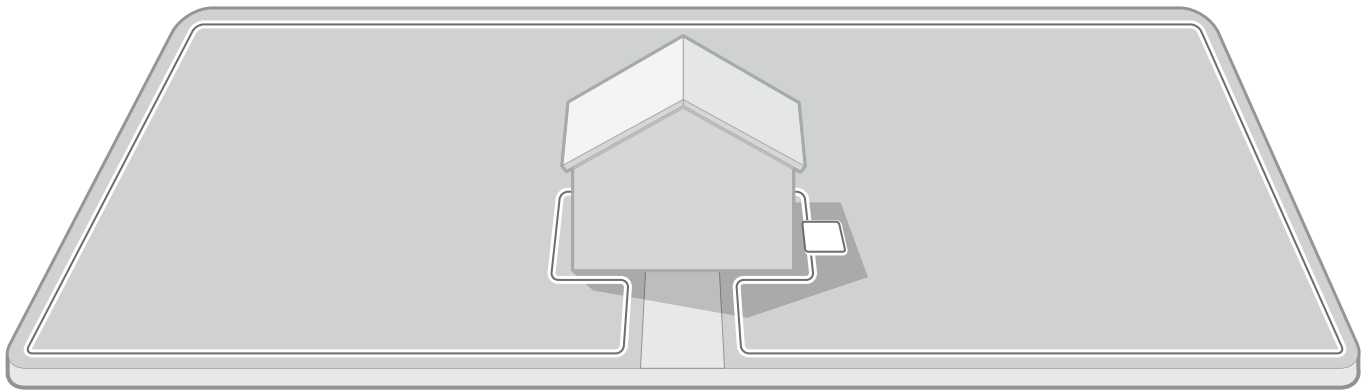
Seguridad & protección de PIN

Para evitar el uso no autorizado, Landroid puede aceptar la protección de su PIN de configuración fácil. Si el Landroid está conectado a una red de WI-FI, puede vincularlo en el aplicación desde su dispositivo móvil. Si se requiere seguridad adicional, incluso tenemos la opción Buscar mi Landroid que le permite realizar un seguimiento de Landroid a través de la tarjeta SIM de prepago incorporada.

INSTALARSE UNO A TIERRA? MÁS FÁCIL DE LO QUE PUEDES PENSAR

Si sigue estas instrucciones cuidadosamente, será más fácil instalar Worx Landroid. Finalmente, debe instalar una estación de carga y colocar una línea alrededor de su césped. Además de este manual, también puede usar la Guía de introducción en el cuadro *

* Esta información se proporciona solo para su comodidad, pero no reemplaza el manual de instrucciones y las instrucciones de seguridad que deben leerse y entenderse..



Patrulla su plan de césped para instalar

Estación de carga de instalación

Coloca horizontalmente el cable de borde

Conecte la estación de carga a la CA

Iniciar Landroid. Prueba y prepárate para cortar

CADA MINUTO PASADO EN LA PLANIFICACIÓN LE AHORRA 10 MINUTOS EN EJECUCIÓN

Si ya sabe exactamente lo que necesita hacer, es más fácil instalar Landroid. La planificación adecuada también puede ayudarlo a evitar errores o reinstalar una vez que se complete la instalación.

Todavía está enterrado en la superficie?

El límite de Landroid está diseñado para permanecer en la superficie del césped. Es casi invisible desde el primer día y será absorbido por el suelo en unas pocas semanas. Si desea insertar un cable, se recomienda arreglarlo primero y probar el éxito de la instalación ejecutando Landroid a su alrededor. Esto facilita la comprobación de todo y el diseño si es necesario antes de incrustar los cables. Los cables están enterrados a unos pocos centímetros por debajo del suelo para que los cables aseguren una buena señal.

Estación de carga del plan

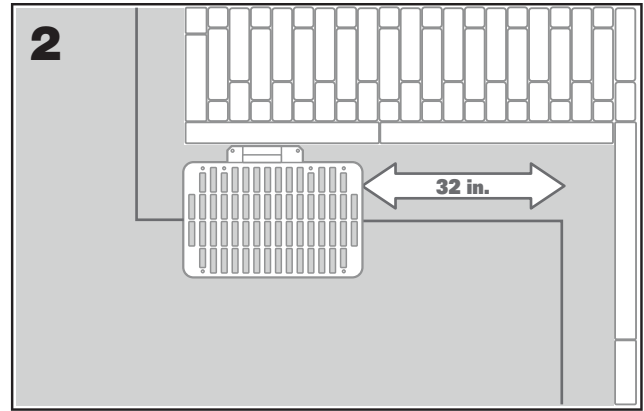
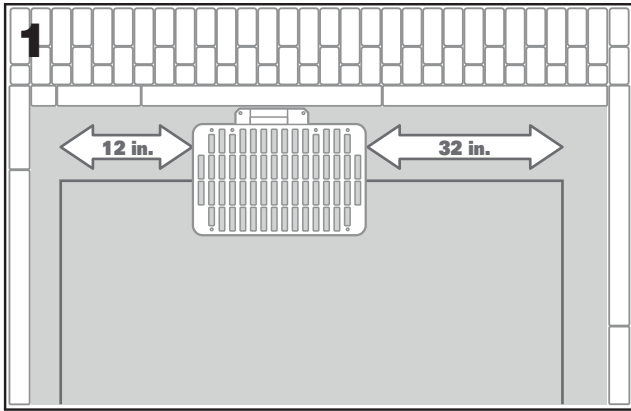
La estación de carga es donde está la batería recargable de Landroid. También es un estacionamiento estacionado entre la siega y la próxima siega.

Recuerda: encuentra la ubicación correcta:

- Conecte la estación de carga a la CA
- Cada minuto en el plan te ahorra 10 minutos.
- La base debe sentarse en un terreno plano para garantizar un acoplamiento efectivo
- Evitar lugares cerca de boquillas de riego.

Mientras el césped y la superficie dura estén a la misma altura (sin escalones), puede colocar la estación de carga en el césped o en una superficie dura, como una pasarela.

Para entrar en la estación, Landroid necesita al menos 32 pulgadas de un camino recto. En el lado de salida, se requiere una trayectoria recta de al menos 12 pulgadas antes de girar a la izquierda (Figura 1). Si el giro está a la derecha, no se requiere un camino recto (Figura 2).



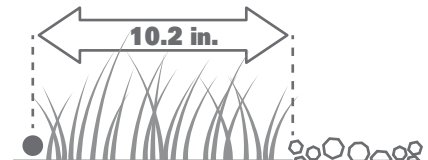
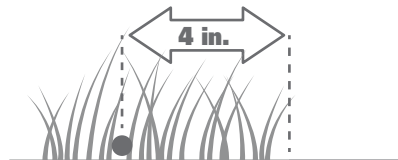
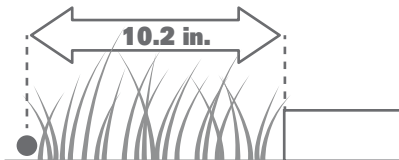
Lista de estaciones de carga:

- Dentro del rango de potencia de CA
- A la sombra
- Directamente a la entrada, salir del camino recto si es necesario
- Llanura
- No hay rociadores de riego cerca

Línea de límite de planificación

Los cables deben colocarse a una distancia del borde del césped. La distancia varía en función del contenido del otro borde lateral. Diferentes partes del césped pueden tener diferentes situaciones:

1. Si el borde del césped cerca del paso: mantener la línea 10.2 del borde.
2. Si el borde del césped es adyacente a un camino de la misma altura: mantenga la línea 4 desde el borde.
3. Si el borde del césped está bordeado por grava: mantenga la línea 10.2 desde el borde, ya que las ruedas del Landroid pueden deslizarse sobre la grava.



Si un lado de su césped está rodeado por el césped de un vecino que usa una cortadora robótica, separe sus cables de los cables del vecino en 3 pies para evitar posibles interferencias.

PATRULAR SU CÉSPED

Landroid está diseñado para gestionar los céspedes más complejos. Inspeccione visualmente su césped para que pueda instalar la línea de límite sin ningún problema.

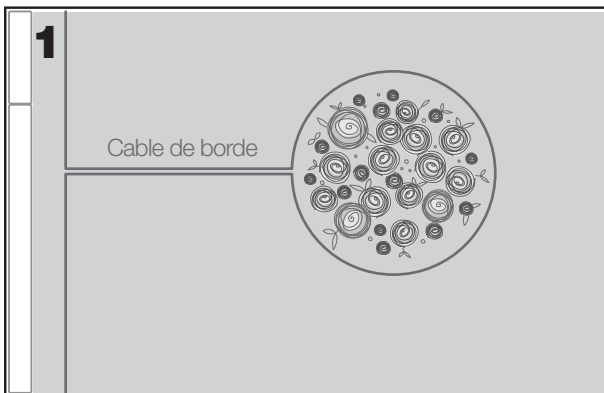
Determinar el área restringida

No quieres que tu cortadora robótica corte flores, se meta en el agua o destruya las raíces que salen del suelo. Encuentra estas áreas y rodéalas con líneas de borde para evitar que Landroid acceda a ellas.

La línea delimitadora es un bucle separado que se conecta a la estación de carga en ambos extremos, por lo que debe dejar el cable desde el borde, rodear el área que desea proteger y luego devolver el cable al marco como se muestra. 1.

Este enfoque tradicional requiere mucho tiempo si el área que se rodea está lejos del borde del césped, o si tiene varias áreas y la parte superior del árbol necesita protección.

Una buena opción es comprar la opción Fuera de los límites de Landroid. Con esto, simplemente use la guía de límites de límites restringidos para rodear la zona prohibida y no necesita estar conectado al anillo delimitador (Figura 2). La valla digital Off-Limits también es ideal para proteger equipos de temporada (como trampolines) o para proteger el césped de nuevos cambios sin tener que volver a editar los límites.



Identificar obstáculos

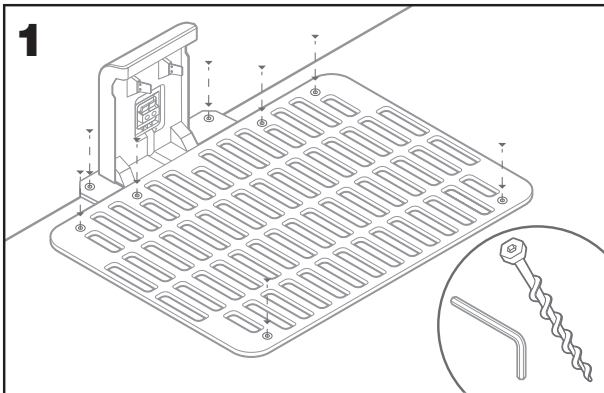
Los sensores de colisión de Landroid pueden manejar obstáculos sólidos como árboles y muebles que no necesitan estar rodeados de cables. Si su césped tiene varios obstáculos y los árboles están cerca uno del otro, le recomendamos que compre la opción Landroid ACS, un piloto automático ultrasónico inteligente que le permite a su Landroid girar los obstáculos en lugar de rebotar.

AHORA RODA TUS MANGAS. CUANDO SE HACE, SE HACE!

Ahora que ha planificado la instalación de cada detalle, está listo para actuar. Antes de comenzar, es posible que desee utilizar el cortacésped viejo para limpiar el césped por última vez y facilitar la instalación.

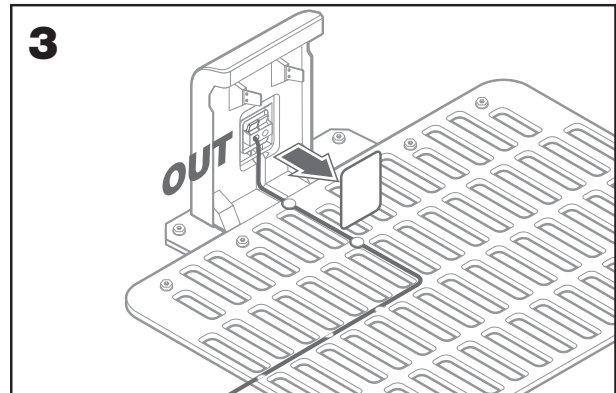
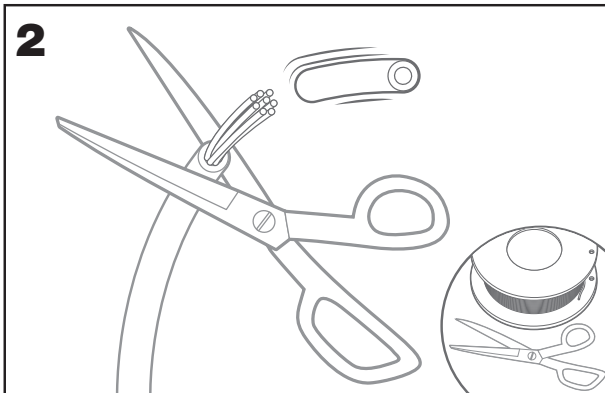
Arregla la estación de carga en la ubicación seleccionada.

- Fije la base al piso con la llave Allen suministrada (a través de la llave Allen incluida) (Figura 1)
- Si la base se coloca sobre una superficie dura, fíjela con el tapón y el tornillo de retención (no incluido)



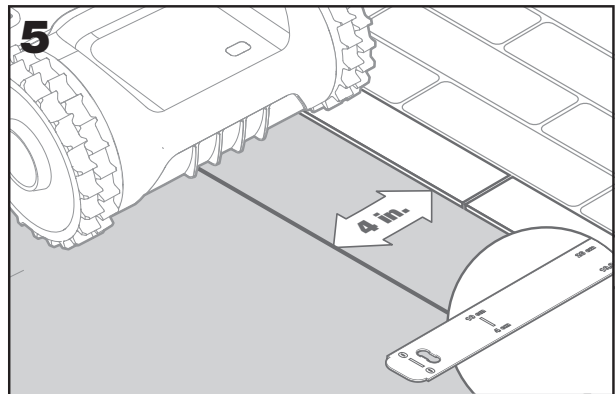
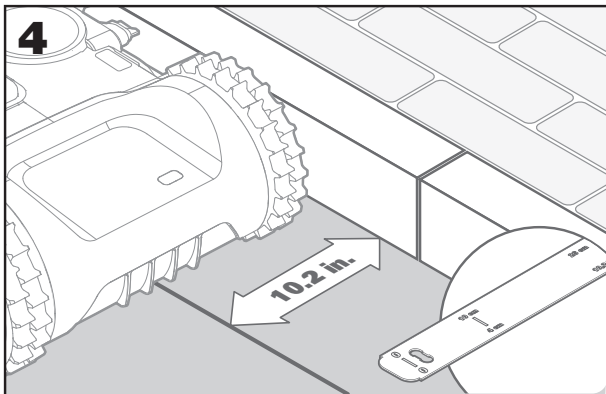
Conecte un extremo de la línea de límite a la estación de carga

- Pele el extremo del cable con unas tijeras (Figura 2)
- Abra la puerta de plástico e inserte el extremo pelado en la abrazadera izquierda roja (Figura 3)
- Pase los cables a través de los rieles de la base como se muestra en la Figura 2. 3



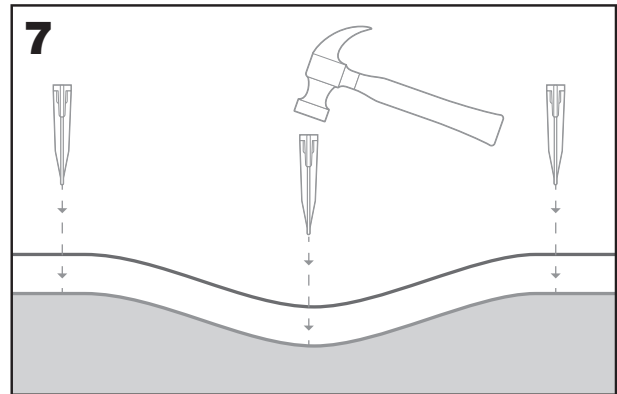
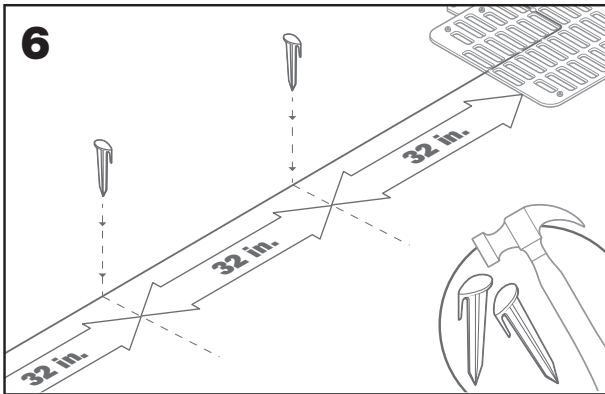
Coloque la línea de límite alrededor de su césped

- Establezca la distancia de línea a borde utilizando el medidor suministrado
- Si hay un escalón en el borde del césped, mantenga el cable a 10.2 pulgadas (Figura 4)
- Si no hay ningún paso, mantenga el cable a 4 in. del borde (Figura 5)



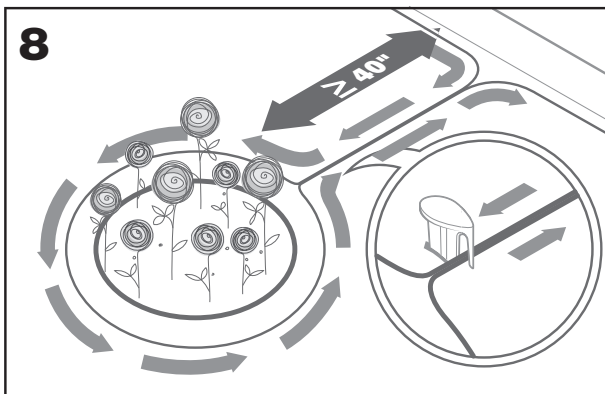
Usa clavos para asegurar los cables al suelo.

- Coloque las uñas a una distancia aproximada de 80 cm entre sí (Figura 6)
- Asegúrese de que los cables estén siempre en contacto cercano con el suelo (Figura 7)



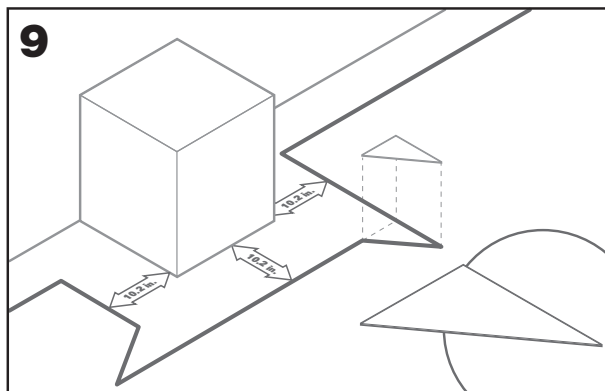
Si es necesario, puede colocar las islas circundantes

- Rodee los macizos de flores, estanques, raíces y otras áreas con líneas de borde
- Deje el borde en ángulo recto para alcanzar el área a proteger.
- Rodee el área con cables y mantenga una distancia de 10.2 pulgadas hasta que cierre la isla.
- Siempre coloque los cables en el sentido de las agujas del reloj. De lo contrario, el cortacésped entrará en la isla.
- Vuelve al borde del césped por el mismo camino.



Método Bertelsen: cómo formar un ángulo perfecto de 90 ° con la esquina orientada hacia el césped

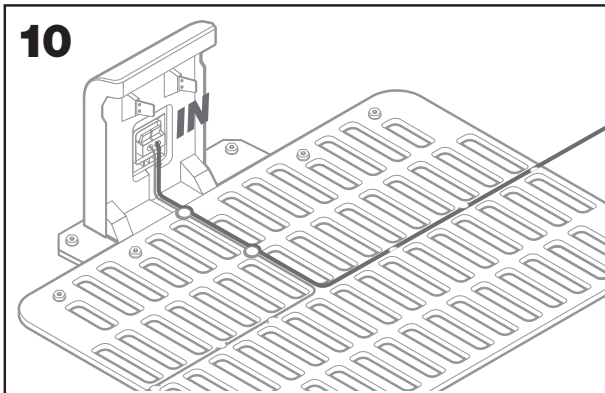
Si tiene una esquina de 90 grados orientada hacia el interior del césped, use la regla Bertelsen para ayudar a Landroid a hacer un giro perfecto (y elimine el riesgo de que Landroid golpee los obstáculos del límite del césped mientras hace esto).



Lazo cerrado

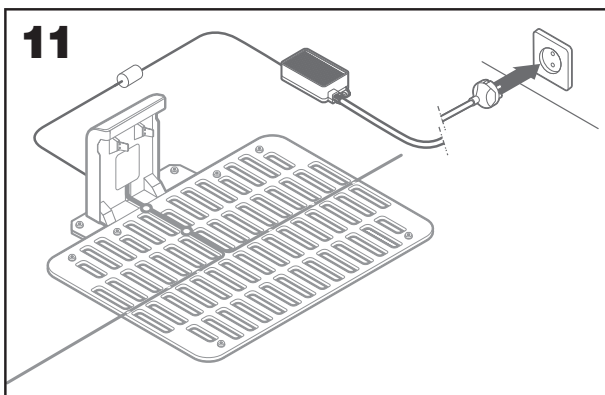
Una vez que haya terminado de colocar los cables alrededor del césped, volverá al muelle de carga.

- Pase los cables a través de las guías en la base hasta que las abrazaderas (Figura 10)
- Cortar el cable sobrante y pelar el extremo con un par de tijeras o cortadores de alambre.
- Inserte el extremo pelado en el accesorio derecho negro

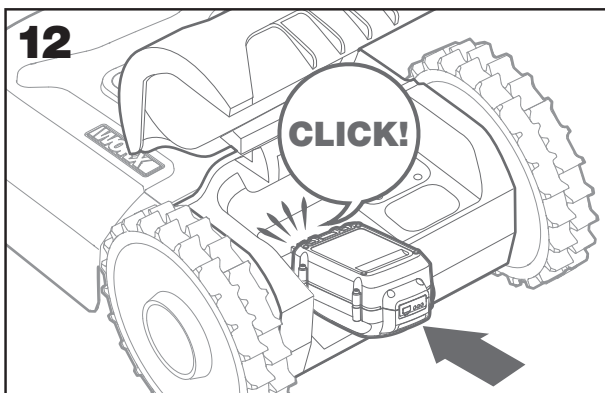
**Paso final**

Hay algunos pasos más:

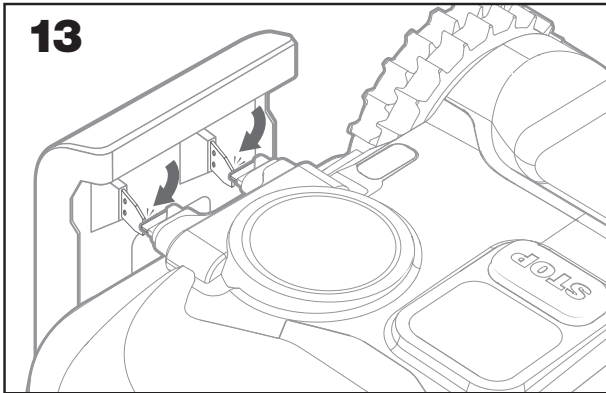
- Conecte la estación de carga a una toma de CA (Figura 11)
- Si todo está bien, el LED se encenderá en verde.
- Si el bucle falla, como una rotura de cable o si los extremos de los cables no están bien sujetos, el LED se encenderá en rojo. Compruebe que todo está bien, si el problema persiste, consulte la sesión de preguntas frecuentes



- Abra la parte posterior del Landroid e inserte la batería PowerShare en la ranura hasta que escuche un clic (Figura 12)

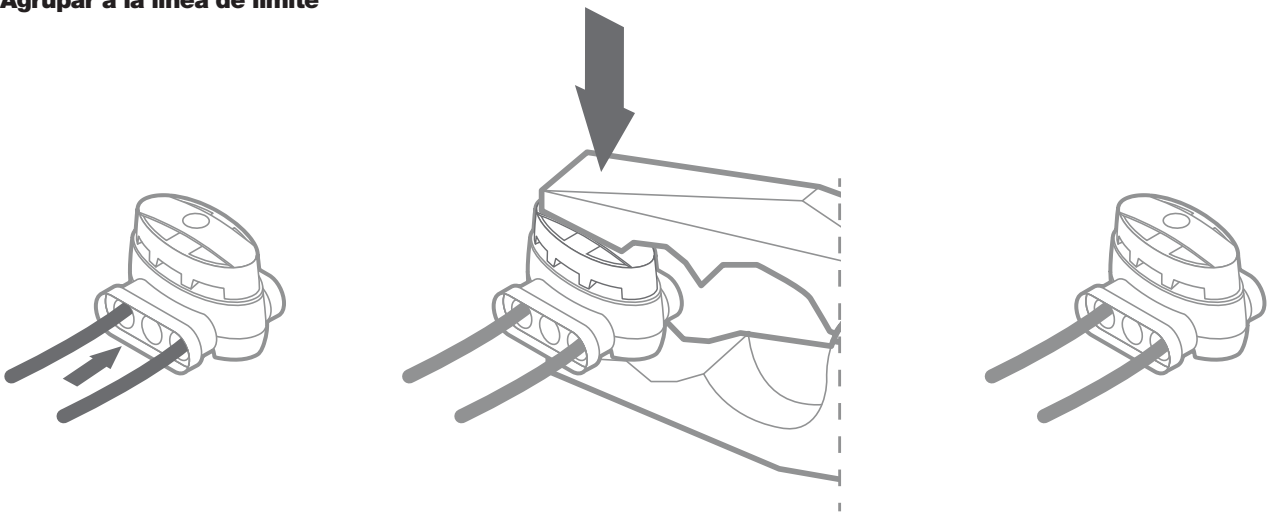


- El Landroid se coloca en un estado cargado asegurando un buen contacto con el pedestal (Figura 13). El LED parpadeará en verde; una vez que la batería esté completamente cargada, el LED cambiará a verde continuo.



Deja que Landroid cargue la batería por un rato. Cuando realice la carga, es posible que deba tomar un descanso: familiarícese con las instrucciones a continuación y conecte Landroid a su red Wi-Fi.

Agrupar a la línea de límite



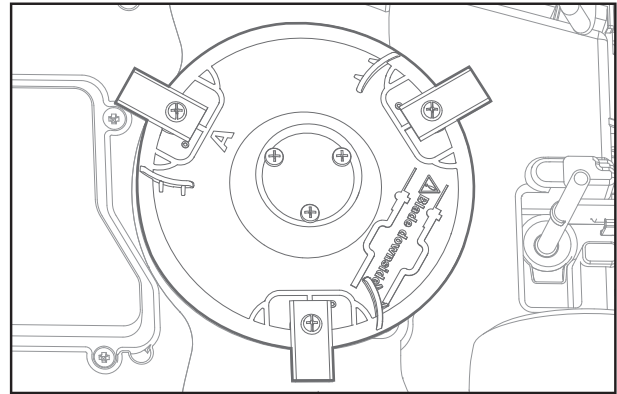
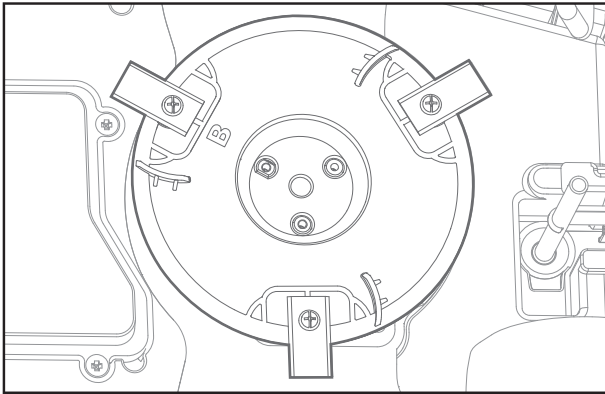
- La caja de Landroid incluye dos pequeños conectores de borde a prueba de agua. Puede ser utilizado en las siguientes áreas:
- Cuando su césped es muy largo, se necesitan bordes adicionales para completar la instalación. No exceda los 1145 pies de la línea límite: esta es la longitud máxima del perímetro de la línea límite
 - Cuando accidentalmente corta la línea de límite, necesita corregirla.
 - Cuando decida volver a editar el jardín en el futuro y necesite modificar la instalación de la línea de límite original

Los conectores son impermeables y proporciona una mejor conexión eléctrica.

- Inserte los extremos del cable en cualquiera de los dos orificios del conector; no se requiere pelado
- Inserte el cable completamente hasta que los ambos extremos de cable sean visibles en el otro lado del conector.
- (Ver Figura J1) Use un par de pinzas para presionar los conectores firmemente.

⚠ Atención: No se recomienda simplemente empalmar los cables de borde con cinta aislante o uso de terminales de tornillo para la conexión. Un circuito abierto puede ocurrir después de un período de tiempo ya que el cable se oxide por la humedad del suelo.

Altura de corte

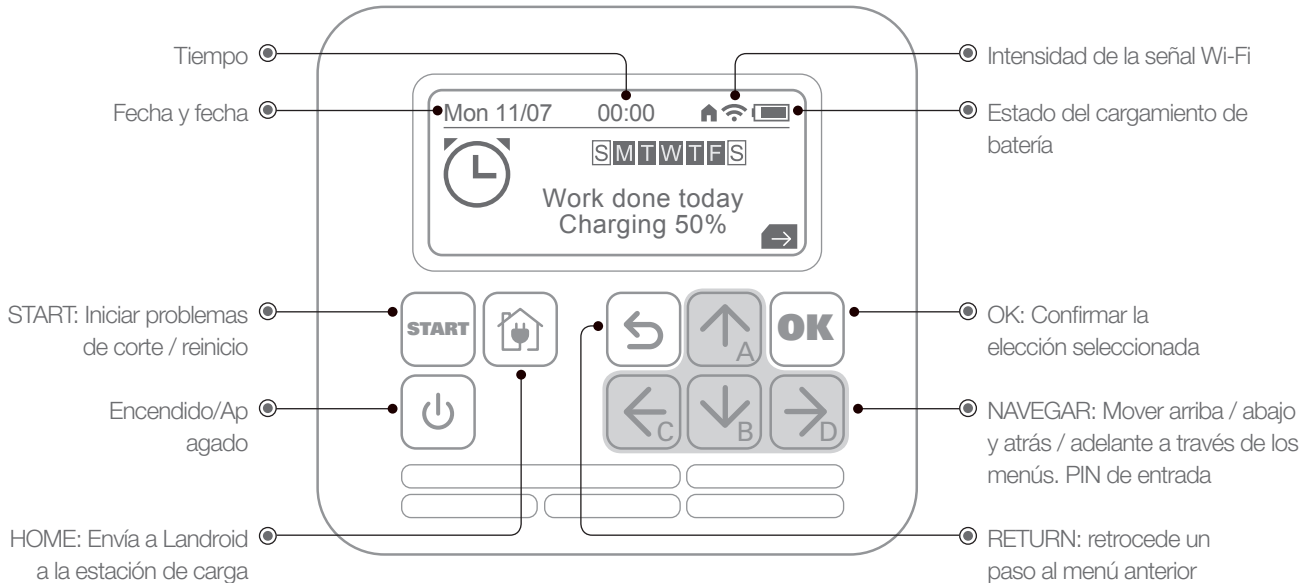


El disco de la cuchilla se puede ensamblar de dos maneras según la altura de la hierba. La altura de corte original se puede ajustar de 1,6 “a 3,1”. Al girar el conjunto del disco de la cuchilla, la altura de corte se puede ajustar de 2,4 “a 3,9” con las cuchillas en la parte inferior del disco de la cuchilla.

**AHORA POR EL BIT EXCITANTE!
COMENZAR A LANDROID POR PRIMERA VEZ.**

Familiarizado con el panel de control

El panel de control de Landroid proporciona características clave en un diseño minimalista. Para funciones avanzadas, la aplicación gratuita Landroid ofrece más opciones en una interfaz más rica: los teléfonos inteligentes.



Iniciar Landroid

- Coloque Landroid dentro del cable delimitador
- Presione el botón de Encendido / Apagado hasta que la pantalla muestre "Bienvenido"
- La pantalla muestra la entrada de PIN
- Ingrese el PIN AAAA predeterminado presionando la botón ↑ (A) cuatro veces
- La pantalla muestra el "código PIN OK"
- Presione el botón START, luego presione OK. Landroid comenzará a segar
- Puede detener Landroid en cualquier momento presionando el botón STOP
- Para enviar el Landroid a la estación de carga, presione la botón Inicio, luego presione OK

Cambiar PIN

Para hacer que su Landroid sea más seguro, cambie el PIN AAAA predeterminado por el PIN que elija.

- Encienda Landroid y desbloquéelo ingresando el PIN predeterminado
- Presione el → (D) botón
- Seleccione el icono del candado con los botones → y ← Navegar, luego presione OK
- La pantalla muestra "Cambiar código PIN". Pulse OK para iniciar el procedimiento.
- La pantalla muestra "PIN antiguo". Ingrese el PIN predeterminado AAAA
- La pantalla muestra "Nuevo PIN". Componga su nuevo PIN con el ABCD botón
- Se le pedirá que repita su nuevo PIN
- Si las dos entradas coinciden, la pantalla confirmará.

⚠ Importante

Escriba la contraseña y guárdela en un lugar seguro. Para mayor seguridad, registre su Landroid y registre su PIN en el sitio web de Worx. Lo guardaremos de manera segura y siempre podrá recuperarlo de la sección de Mi Landroid del sitio.

Tenga en cuenta que si pierde su PIN, no podrá operar Landroid. Para hacer que Landroid sea lo más seguro posible, no existe un programa de restablecimiento de PIN que alguien pueda operar, incluido el Centro de servicio autorizado de Landroid.

Si decide vender su Landroid en el futuro, restaure el AAAA PIN predeterminado de fábrica antes de enviarlo al nuevo propietario o proporcione su PIN personalizado al nuevo propietario.

Si envía Landroid al centro de servicio, infórmeles su PIN.

Cambiar configuración de idioma

Landroid está preestablecido en el idioma del país donde lo compró. Sin embargo, si desea cambiar el idioma, siga los pasos a continuación.

- Abre Landroid e inserta el PIN
- Presione la → (D) botón; la pantalla muestra el menú
- Seleccione el icono del engranaje con las botón de navegación, confirme con el botón OK
- En la parte superior de la lista de Configuración general está "Idioma"
- Presione OK para seleccionar
- Desplácese hacia abajo en el menú para seleccionar su idioma.
- Presione OK para confirmar

CONECTA LANDROID A INTERNET

Por qué elegir conectar Landroid?

Landroid es un dispositivo de Internet de las cosas (IoT). Para obtener todas las funciones de Landroid y mantenerlas actualizadas con el software más reciente, debe conectarse a Internet a través de la red Wi-Fi o usar "Encontrar mis accesorios de Landroid".

ANTES DE QUE EMPIECES



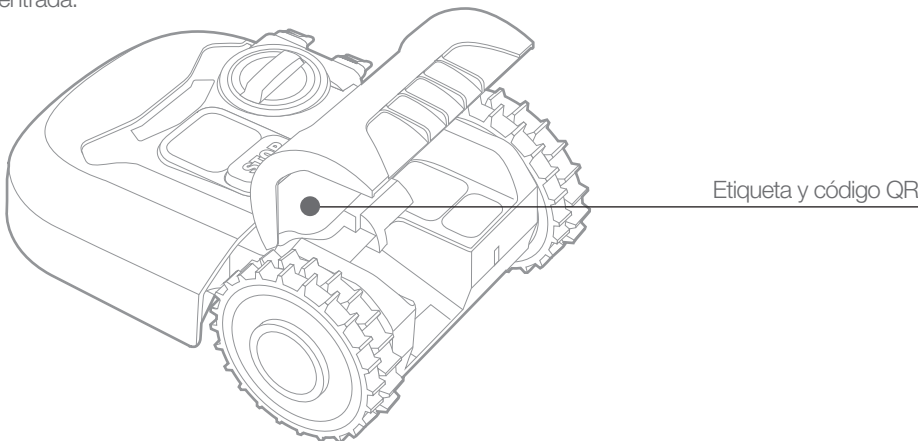
1. Descarga la aplicación

Primero descarga la aplicación gratuita de Landroid. Obtenido en la tienda de aplicaciones Android (4.4.2 o superior) o Apple (iOS 11 o superior)



2. Asegúrate de tener:

- Su contraseña de red Wi-Fi
 - Número de serie de Landroid: se puede encontrar en la etiqueta debajo de la cubierta posterior de la máquina.
- Si no desea ingresar un número de serie de 20 dígitos, use la cámara de su teléfono inteligente para escanear el código QR para la entrada.



3. Revisa tu configuración de Wi-Fi

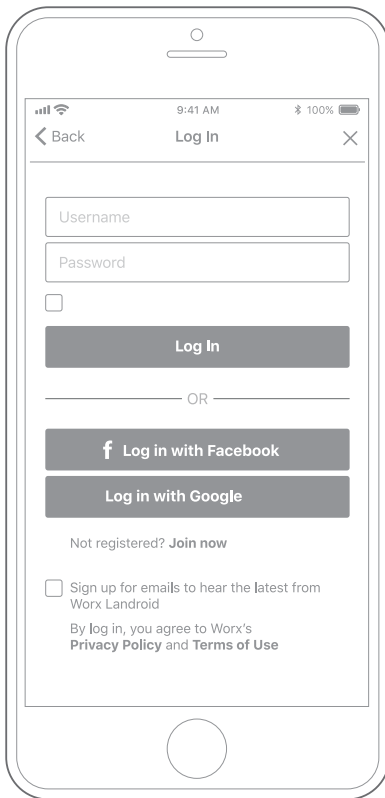
- Landroid puede usar la señal Wi-Fi de 2.4GHz
- Asegúrese de que su Landroid esté en el mismo entorno de enrutador que su dispositivo móvil.
- Asegúrese de que la distancia entre el Landroid, su dispositivo móvil y el enrutador sea lo más cerca posible (menos de 3 m) durante la conexión.

Consejos: Cuando Landroid se desplaza al área de césped, la señal de Wi-Fi es deficiente o no hay señal de Wi-Fi, y las instrucciones enviadas por la aplicación se ejecutan solo cuando el Landroid devuelve un área de buena señal.

COMO CONECTAR LANDROID A INTERNET

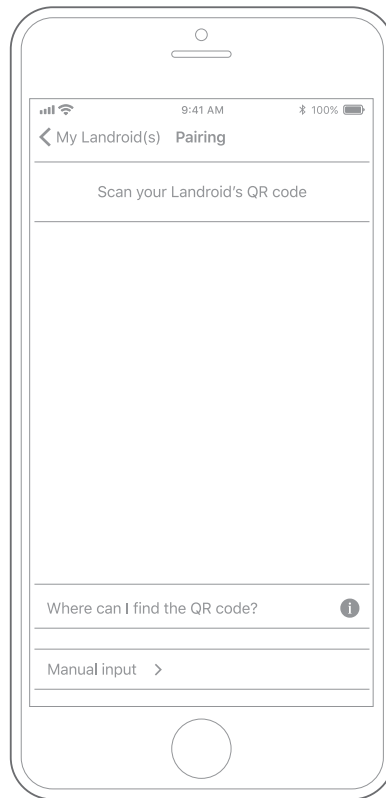
Inicie la aplicación y siga estas instrucciones.

1. Registra tu cuenta



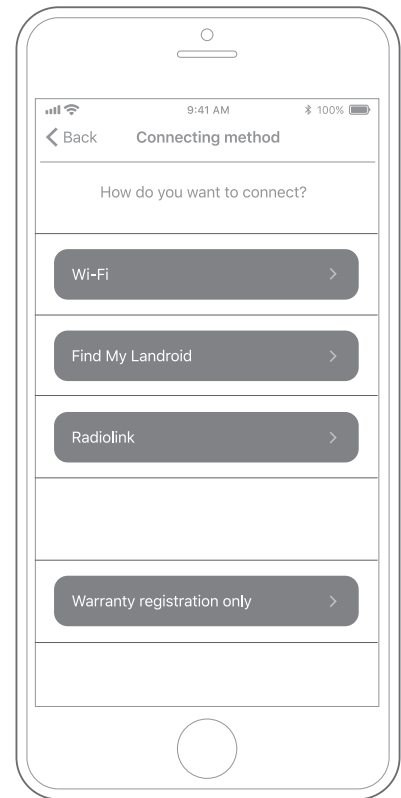
Registre su cuenta ingresando su nombre de usuario y contraseña o iniciando sesión a través de Facebook o Google.

2. Ingrese el número de serie de Landroid



Registre su Landroid introduciendo manualmente el número de serie o escaneando el código QR.

3. Elige tu conexión

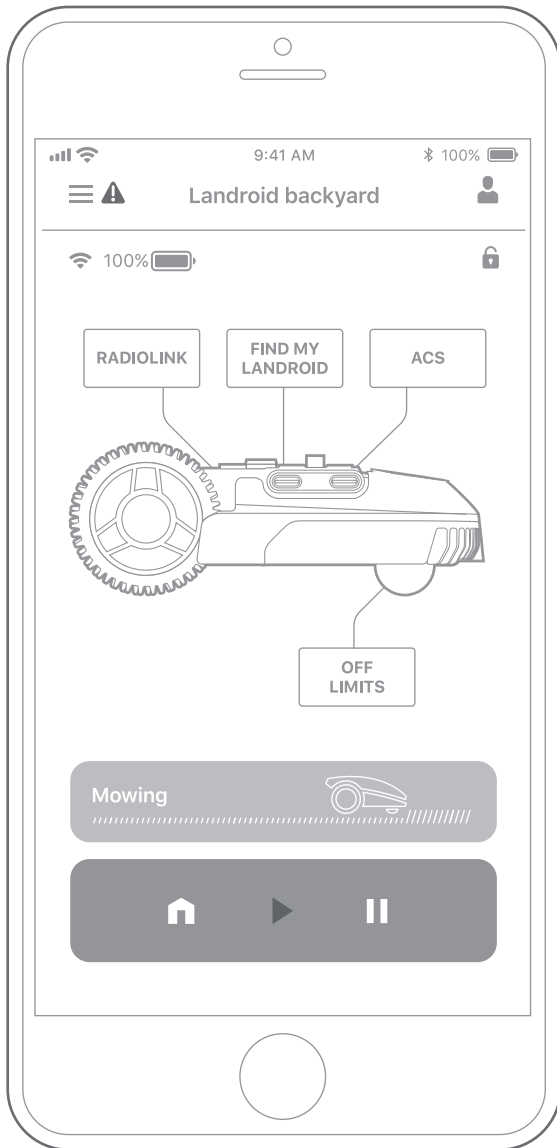


Elija su red Wi-Fi, o puede conectarse a Landroid a través de las opciones Buscar mi Landroid o Radiolink.

Si su Wi-Fi no cubre todo el césped, considere comprar la opción Landroid Radio Link, que extiende la señal a .6 millas. Como alternativa, puede comprar la opción Buscar mi Landroid, además de conectar el Landroid a Internet a través de su tarjeta SIM, y también le permite localizar el desafortunado evento de robo.

LANDROID APP NO UN CONTROL REMOTO SIMPLE

No lo pienses como un control remoto. La aplicación forma parte del ecosistema avanzado de Worx Landroid basado en la computación en la nube y la inteligencia artificial.



Con la función de realidad aumentada de la aplicación, puede medir el área exacta del césped. Es tan fácil como caminar a lo largo de sus fronteras.

La aplicación también le permite ver estadísticas sobre lo que Landroid ha estado haciendo por usted.

La aplicación también le notificará cuando esté disponible un nuevo software para su descarga automática por parte de Landroid.

Una vez conectado, Landroid puede acceder a sus únicas instrucciones de programación automática desde la nube y poder descargar el último software para optimizar su rendimiento.

CONFIGURAR LANDROID SATISFACER SUS NECESIDADES ESPECÍFICAS

Puede potenciar sus modelos Landroid con cinco opciones únicas que optimizan el rendimiento de su Landroid para adaptarse a su jardín único y sus necesidades individuales. Este es un resumen rápido: para obtener más información, visite nuestro sitio web.



Los sensores ultrasónicos están inteligentemente libres de obstáculos.

- Los cortacéspedes robóticos tradicionales son ciegos. Se pueden perder fácilmente cuando golpean un objeto. Los golpes diarios también pueden dañar sus árboles, plantas y muebles de exterior. La opción de Landroid con ACS puede evitar esto: puede pasar obstáculos sin esfuerzo
- Landroid utiliza sensores ultrasónicos de grado automotriz para detectar obstáculos. Usando este reconocimiento de objetos, la tecnología de piloto automático de Landroid puede evitarlos.



La opción Restricción de cierre crea un borde alrededor del área del césped sin conectar la línea del límite principal.

- Puede usarlo para simplificar en gran medida la instalación de Landroid eliminando la necesidad de rodear el área interna con la línea de límite principal.
- También es ideal para mantener el área de césped sin restricciones temporalmente. Por ejemplo, utilizando equipos de temporada como trampolines.
- O puede cambiar el césped de forma permanente sin alterar el límite original de Landroid



Las redes domésticas regulares de Wi-Fi generalmente cubren solo una pequeña parte de todo el jardín - RadioLink resuelve este problema. Crea una conexión de radio a prueba de balas que puede extenderse .3 millas desde un enrutador Wi-Fi.

- Libere todo el potencial de la avanzada inteligencia artificial de Landroid con conectividad en línea continua con la opción RadioLink



Protege tu Landroid del robo con GPS combinado con señales móviles. Gracias a su módulo celular, este accesorio también elimina la necesidad de que Wi-Fi o RadioLink permanezcan conectados a Internet.

- Si su Landroid se toma fuera del área de geofence, recibirá notificaciones a través de su teléfono inteligente a través de la aplicación Landroid. Podrás bloquear el robot y seguirlo. El módulo GPS funciona incluso si se retira la batería principal.
- Find My Landroid proporciona conectividad de datos a través de su tarjeta SIM multi-IMSI, que trabaja con una amplia gama de proveedores de telecomunicaciones para garantizar que la mejor señal esté siempre disponible

MANTENIMIENTO

Es difícil trabajar con su Landroid y necesita ser limpiado e inspeccionado de vez en cuando. Esta parte de guía del usuario puede ayudarlo a mantener su Landroid en buena forma, para que pueda seguir utilizándolo durante años sin molestarse. A continuación le indicamos cómo cuidar su Landroid.

MANTENERSE AFILADO



Landroid no corta hierba como otras cortacéspedes. Sus cuchillas de corte son muy afiladas en ambos bordes y se puede girar en ambas direcciones para obtener la máxima capacidad de corte (ver Figura L).

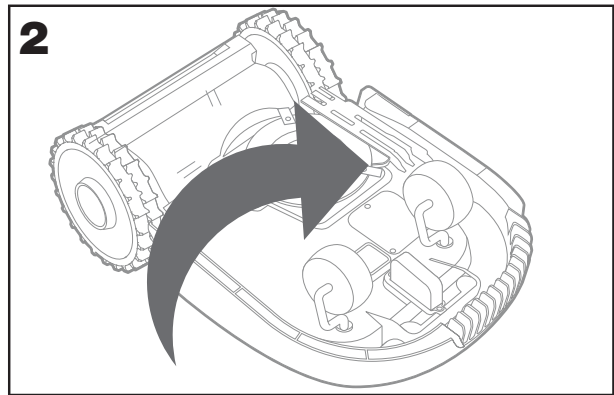
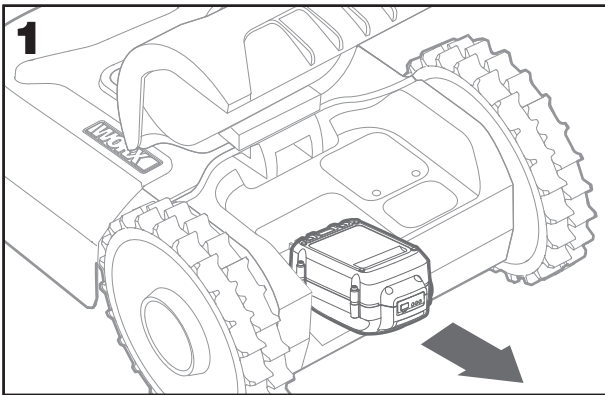
- El disco giratorio de la cuchilla girará aleatoriamente en sentido de reloj y contrarreloj para usar los dos filos de corte y así minimizar la frecuencia de reemplazo de las cuchillas.
- Cada cuchilla de corte durará hasta 2 meses, programada para cortar el césped cada día.
- Siempre revise la cuchilla para detectar muescas o daños y reemplace si es necesario.
- Cuando la cuchilla de corte esté deslucida y desgastada, debe reemplazarse con una cuchilla de repuesto que se proporcionado con el Landroid.

Las cuchillas de repuesto también están disponibles en su distribuidor WORX más cercano y en WORX.COM.

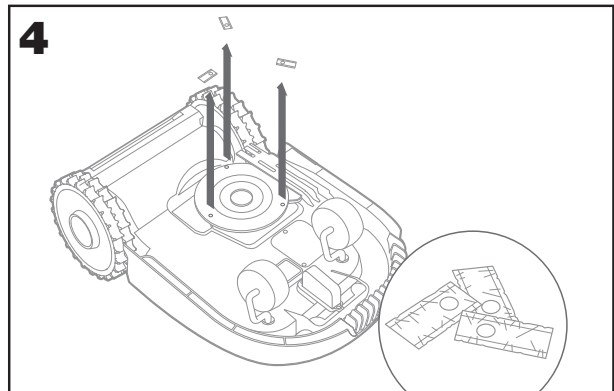
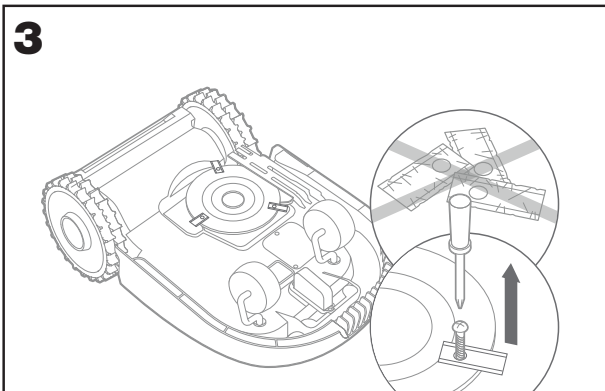
⚠ ADVERTENCIA! Cierre el Landroid, quite la batería y use guantes protectores antes de limpiar, ajustar o reemplazar la cuchilla. Siempre use guantes protectores.

Reemplazar las cuchillas

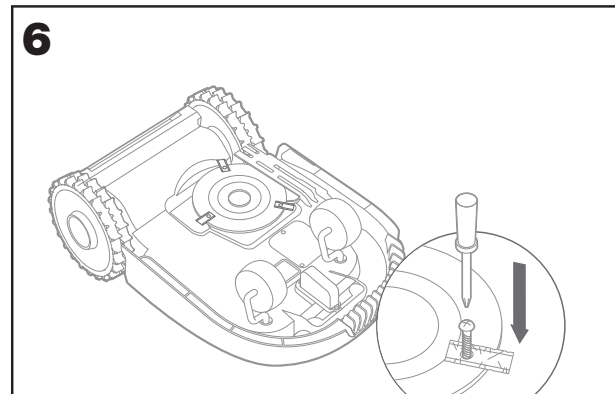
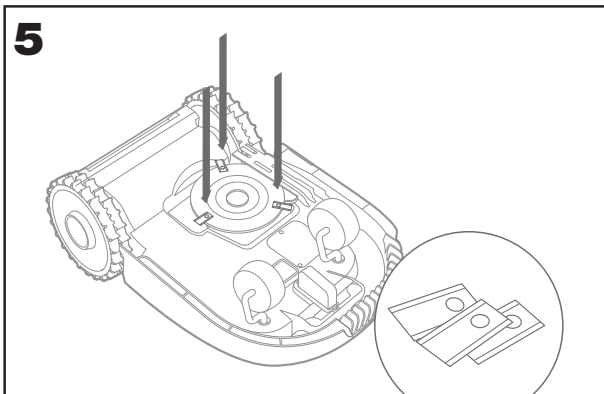
Retire la batería (Figura 1) y gire suavemente la Landroid (Figura 2)



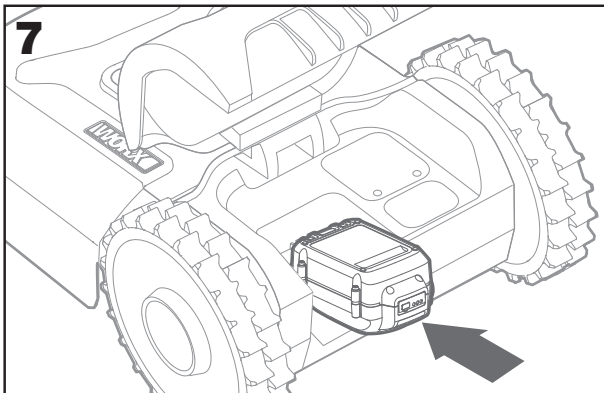
Use un destornillador para retirar los tornillos de las cuchillas.



Atornillar firmemente las nuevas cuchillas.



Vuelva a instalar la batería (Figura 7)



- ⚠ Atención:** Al instalar cuchillas nuevas, asegúrese de reemplazar todas las cuchillas.
- Utilice siempre tornillos nuevos al instalar la cuchilla. Esto es importante para asegurar que la cuchilla mantenga y equilibre el disco de rotación de la cuchilla. El no usar tornillos nuevos puede causar consecuencias graves.
 - Importante: Después de atornillar la cuchilla en el disco de cuchillas, asegúrese de que la cuchilla pueda girar libremente.

MANTENLO LIMPIO



Su Landroid debe limpiarse regularmente. Esto ayuda a mantenerlo en buenas condiciones, especialmente para eliminar la suciedad, los residuos y el césped de la siega diaria. Apague el Landroid antes de limpiarlo. Para mayor seguridad, retire la batería.

- ⚠ ADVERTENCIA!** No utilice mangueras, lavadoras de alta presión ni vierta agua del grifo sobre el Landroid. El agua a alta presión puede entrar en el sello y dañar los componentes electrónicos y mecánicos.

Limpieza de la parte superior del cuerpo.

- Limpiar con una botella de spray llena de agua. No utilice disolventes ni abrillantadores.
- Limpie la suciedad acumulada con un cepillo o un paño limpio

Limpiar el fondo

- Flip Landroid boca abajo
- Utilice un cepillo para eliminar los residuos y recortes de césped
- Tenga cuidado de no tocar la hoja con la mano. Usar guantes de protección.
- Limpie a fondo la cuchilla, el chasis y la rueda delantera con un cepillo suave o un paño húmedo

- Gire la cuchilla para asegurarse de que gire libremente. Eliminar cualquier obstáculo. Retire cualquier residuo atascado para que no cause grietas en la cuchilla. Incluso las grietas más pequeñas pueden cortar la hierba.
- Compruebe que la cuchilla pueda girar libremente alrededor del tornillo de fijación. Eliminar cualquier obstáculo.

Rueda motriz limpia

- Use un cepillo para quitar el barro de las ruedas para asegurar un buen agarre en la banda de rodadura

Borrar los contactos de carga

- Use un paño para limpiar el lápiz en la base de cargamiento y la tira de carga en el Landroid.
- Retire regularmente los restos de césped o los residuos acumulados alrededor del lápiz de contacto y la tira de carga para asegurarse de que el Landroid se cargue correctamente cada vez.

ASEGURAR LA BATERÍA ADECUADA


El central de Landroid es su batería Worx-Powershare de iones de litio de 20V.

- Para guardar correctamente la batería, asegúrese de que esté completamente cargada y manténgala en un lugar fresco y seco entre -20°C~60°C.
- La temperatura de funcionamiento recomendada de Landroid está entre 0 y 55°C.
- La vida útil de la batería Landroid depende del tiempo de uso diario y del tiempo de uso durante el corte.

Mantenimiento de la batería durante el almacenamiento.

- Landroid se puede cargar manualmente sin el cable de borde.
- Conecte la base de cargamiento a una fuente de alimentación eléctrica adecuada. La luz verde en la base de cargamiento se iluminará.
- Cuando se apaga el Landroid, el Landroid se acopla manualmente a la base de cargamiento.
- La luz verde en la base de carga se palpadeará y el Landroid comenzará a cargar.
- Cuando la batería esté completamente cargada, la luz verde se volverá verde continua

MANTENER ALMACENADO DURANTE EL INVIERNO


Aunque Landroid está diseñado y construido para sobrevivir a las condiciones climáticas más severas, se recomienda almacenarla en su cobertizo o garaje durante el invierno. Prepárese para la hibernación de invierno:

- Limpieza a fondo
- Cargue completamente la batería
- Apaga el poder

Regresando a trabajar en la primavera

Cuando es el momento de volver a empezar Landroid para la nueva temporada, por favor realice las siguientes comprobaciones:

- Actualiza la configuración de hora y fecha a través de app
- Si observa signos de oxidación en los contactos de carga de Landroid y la estación de carga, utilice un paño de lija de grado fino para limpiar
- Lleno de batería Landroid antes de la operación

MANTENERSE AL DÍA


Landroid ha estado mejorando continuamente y ofreciendo nuevas versiones de software de forma gratuita. Mantenga siempre actualizado el software Landroid para aprovechar al máximo su máquina.

Actualización inalámbrica (OTA)

Si su Landroid está conectado a su red Wi-Fi, la aplicación le notificará que puede usar el nuevo software. Una vez confirmada, la actualización se realizará automáticamente de forma inalámbrica.

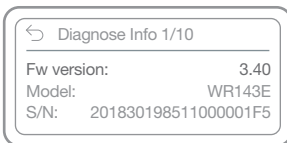
Comprueba la versión del software que tienes

Cuando inicia Landroid, la versión del software siempre se muestra en el lado izquierdo de la pantalla. También puede ver fácilmente el software que tiene Landroid con esta aplicación.



También puede ir al menú de configuración general para comprobar.

- Presiona OK para seleccionar el icono de engranaje
- Use la botón de flecha hacia abajo (B) para desplazarse hacia abajo en el menú para ingresar a las opciones de diagnóstico
- Presione OK y verá la versión del software nuevamente



Actualización manual

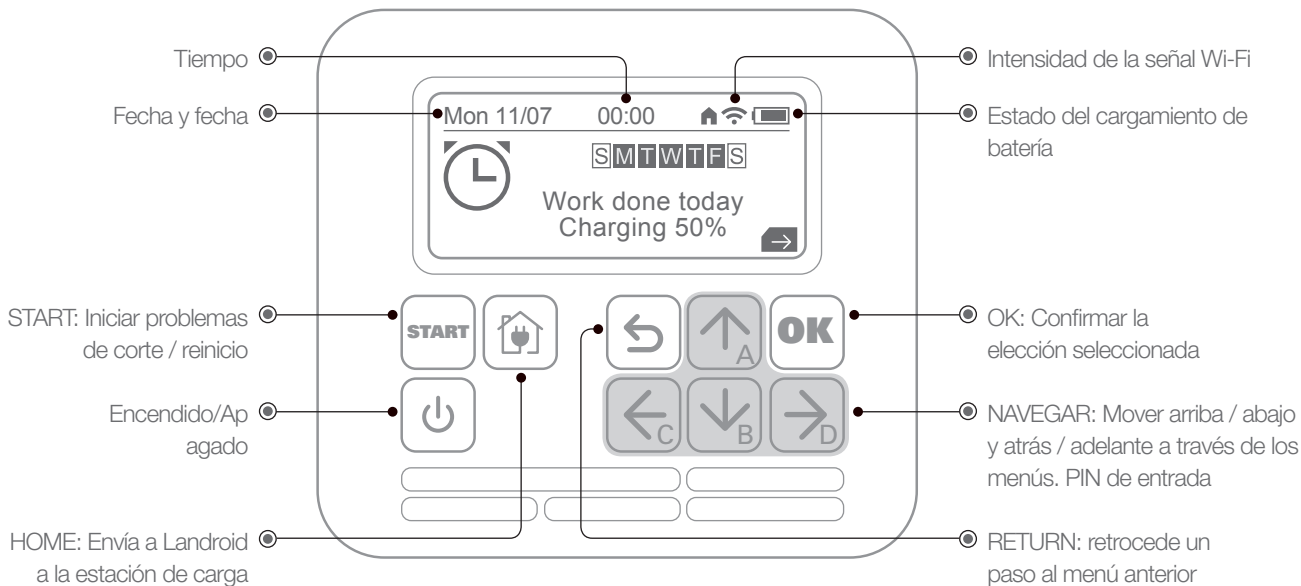
- Si su Landroid no está conectado a su red Wi-Fi, aún puede actualizarlo a la última versión de software con una memoria USB.
- Visite el sitio web de Worx Landroid regularmente para verificar si hay nuevas versiones. Si se suscribe a la lista de correo electrónico de Landroid, se le notificará cuando haya una nueva versión disponible.
- Descargue la última versión de software en nuestro sitio web
- Extrae los archivos en tu computadora
- Tome una memoria USB en blanco en formato FAT32
- Guarde el software Landroid descomprimido en una memoria USB
- Coloque el Landroid en una superficie segura y nivelada.
- Apagar landroid
- Vaya a la parte posterior del Landroid para acceder al puerto USB. Consulte la página 7 de este manual del usuario para encontrarlo.
- Conecte el dispositivo de memoria USB en el puerto.
- Coloque el Landroid nuevamente en el césped, en el área de trabajo definida por la línea de límite.
- Enciende Landroid
- Sin desplazar el Landroid, siga las instrucciones en pantalla para extraer la unidad USB (unidad flash).
- La actualización se iniciará automáticamente y puede tardar un rato. Una vez que se complete la actualización, Landroid se reiniciará automáticamente.

⚠ NOTA: Si el Landroid no está dentro de la línea de límite, se mostrará el "mensaje START se reiniciará el espacio de trabajo externo." Asegúrese de que Landroid esté dentro del límite cuando reinicie Landroid.

LANDROIDE PANEL DE CONTROL

Funciones avanzadas a través de la interfaz incorporada

A pesar de su diseño minimalista, puede configurar varias funciones avanzadas a través del panel de control incorporado. Sin embargo, para la mejor experiencia de usuario, le recomendamos que utilice la aplicación gratuita Landroid para hacer esto, dada su interfaz mucho más rica e intuitiva



Elija su formato de hora de preferencia - 24h o 12h (AM / PM)

- Abre Landroid e inserta el PIN
- Presione la → (D) botón; la pantalla muestra el menú
- Seleccione el icono del engranaje con las botón de navegación, confirme con el botón OK
- Desplácese hasta "Formato de hora" con las ↑ (A) y ↓ (B) botón . Presione OK para confirmar
- Seleccione su opción entre "24 horas" y "12 horas" con las ↑ (A) y ↓ (B) botón
- Presiona OK para confirmar tu opción

Elija su formato de fecha de preferencia

- Abre Landroid e inserta el PIN
- Presione la → (D) botón; la pantalla muestra el menú
- Seleccione el icono del engranaje con las botón de navegación, confirme con el botón OK
- Desplácese hasta "Formato de fecha" con las ↑ (A) y ↓ (B) botón. Presione OK para confirmar
- Elija entre las tres opciones YYYY / MM / DD, DD / MM / YYYY y MM / DD / YYYY usando las ↑ (A) y ↓ (B) botón
- Presiona OK para confirmar tu opción

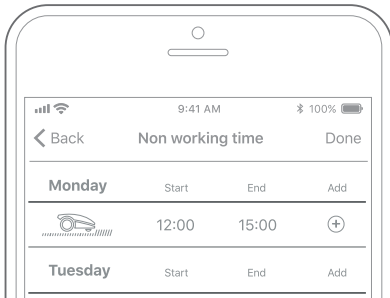
Ajuste de fecha y hora

- Abre Landroid e inserta el PIN
- Presione la → (D) botón; la pantalla muestra el menú
- Seleccione el icono del engranaje con las botón de navegación, confirme con el botón OK
- Desplácese hasta "Configurar fecha y hora" con las ↑ (A) y ↓ (B) botón. Presione OK para confirmar
- La fecha esta resaltada
- Al pulsar OK, se resalta el primer dígito.
- Use las ↑ (A) y ↓ (B) botón para cambiar el dígito resaltado
- Use las ← (C) y → (D) botón para seleccionar otros dígitos de la fecha
- Use las ↑ (A) y ↓ (B) botón para ingresar un nuevo valor
- Presiona OK para confirmar la fecha
- Desplácese hacia abajo con la ↓ (B) botón . El tiempo se pone de relieve. Presione OK para seleccionar
- Cambia la hora con el mismo procedimiento que para la fecha. Presione OK para confirmar
- La hora y la fecha ya se han establecido.

AJUSTE DEL TIEMPO DE SODADO

Landroid crea su propia planificación automática y horas de trabajo según el tamaño del césped y otros factores. No recomendamos ajustar manualmente esta configuración. Sin embargo, si lo prefiere, hay 3 formas de ajustar el tiempo de corte.

1. Usa la aplicación y sigue un sencillo menú en pantalla.



2. Ajuste el porcentaje de tiempo de trabajo a través del panel de control de Landroid

Dependiendo de la tasa de crecimiento del pasto, es posible que desee que Landroid trabaje un poco más o menos. Puede ajustar el tiempo de trabajo en incrementos de porcentaje, y Landroid recalculará automáticamente su tiempo de trabajo.



- Abra el cortacésped e inserte el código PIN
- Presione la ↑ (A) botón o la ↓ (B) botón para ajustar el tiempo de trabajo en incrementos del 10%
- Landroid ahora calculará automáticamente un tiempo de trabajo revisado

3. Ajustar específicamente cada día

Landroid está configurado de fábrica para comenzar automáticamente a las 09:00 am cada día, pero es posible que desee ajustar esto. Así es cómo.

- Encienda Landroid e inserte el código PIN
- Presione el → (D) botón
- Desplácese con las ← (C) y → (D) botón hasta el ícono del reloj y presione OK para confirmar
- Ahora estás en el menú “tiempo de trabajo”
- Seleccione “Auto Work Time” y presione OK
- Seleccione el tamaño de su césped en m² desplazándose con las ↑ (A) y ↓ (B) y botón seleccionando el tamaño correcto
- Presione la botón de retorno para regresar al menú de “tiempo de trabajo”
- Ahora seleccione la opción ‘Personalizar tiempo de trabajo’, presione OK
- Los días de la semana aparecerán con horas de trabajo en horas y minutos.
- Ahora selecciona un día de la semana, presiona OK
- Ahora aparecerá un menú de horario de trabajo para ese día.
- Presione OK para hacer que los dígitos de la hora parpadeen
- Seleccione la nueva hora de inicio en horas y minutos presionando las ← (C) y → (D) botón . Puede cambiar los valores de hora o minuto usando las ↑ (A) y ↓ (B) botón
- A continuación, seleccione nuevo tiempo de parada en horas y minutos. Luego presione OK para confirmar
- Después del éxito, verá que las horas de trabajo totales del día se actualizaron según las horas de inicio y finalización que ingresó.
- Para cambiar la hora de inicio de otros días de la semana, regrese al menú de tiempo de trabajo personalizado anterior y repita los pasos anteriores

Tenga en cuenta que dado que Landroid es autónomo, si elige “Horas de trabajo automáticas”, restablecerá las horas de trabajo personalizadas que pueda estar programando.

Variación de retraso de lluvia

Si vive en una región con fuertes lluvias, puede ser útil ajustar la configuración del retraso de la lluvia para que el Landroid pueda funcionar cuando está mojado. Para hacer esto, sigue estos pasos:

- Encienda Landroid e inserte el código PIN
- Presione la → (D) botón y presione OK para seleccionar el icono de engranaje en el menú “Configuración general”
- Desde el menú “Configuración general” vaya a la opción “Retardo de inicio por lluvia” presionando la ↓ (B) botón, luego presione OK
- Ahora verá el retraso de lluvia predeterminado de 180 min. Presiona OK para editar este tiempo
- Puede usar las ← (C) y → (D) botón para seleccionar los dígitos y las ↑ (A) y ↓ (B) botón para aumentar o disminuir el retraso de la lluvia
- Para eliminar completamente el retraso de la lluvia, elija 000 minutos.
- Luego presione el botón Atrás para salir

Establecer diferentes áreas

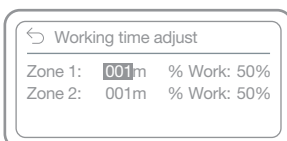
Landroid está diseñado para cortar de manera uniforme un césped complejo. Sin embargo, a veces es posible que deba ajustar las horas de trabajo de cada área. Para configurar esto, primero debe definir estas áreas diferentes del jardín (hasta 4), luego puede ajustar el tiempo de trabajo de cada área. Para definir cada región, realice los siguientes pasos:

- A partir de la base de carga de Landroid
- Encienda Landroid e inserte el código PIN
- Presione el → (D) botón para seleccionar el icono del reloj, luego presione OK para confirmar
- Ahora estás en el menú de horario de trabajo.
- Desplácese hacia abajo hasta la opción Definir área. Presione .
- Puede seleccionar hasta 4 áreas
- Seleccione el número de zonas que desea y presione OK
- La pantalla le indicará que presione el botón de START para establecer el área.
- Después de presionar START, el cortacésped comenzará a rastrear los cables.
- Presione Tierra porque Landroid llega al área para marcarse como área 1.
- Elija YES para guardar su selección
- Presione el botón START para llevar el Landroid a la siguiente área, luego presione STOP cuando llegue al Área 2.
- Si necesita definir más áreas, repita los pasos anteriores

Áreas de trabajo personalizado

Para personalizar las horas de trabajo para cada área:

- Encienda Landroid e inserte el código PIN
- Presione el → (D) botón
- Use el → (D) botón para desplazarse hasta el icono del reloj y presione OK para confirmar
- Ahora estás en el menú de horario de trabajo.
- Use el ↓ (B) botón para desplazarse hacia abajo hasta “Ajuste del tiempo de trabajo” y presione OK
- Aparecerá el área numerada.
- La zona 1 solicitará el área de trabajo de m2 y el porcentaje de tiempo de trabajo para esa área
- Use el ↑ (A) y ↓ (B) botón para ingresar al área de trabajo en m2, luego presione OK
- Luego el cursor se mueve al porcentaje de trabajo.
- Aquí puedes ajustar el porcentaje.
- Luego puede usar el ← (C) y → (D) botón para desplazarse a la siguiente área para ajustar el tamaño y el tiempo de trabajo de la Zona 2.
- Luego presione el botón Atrás para salir
- Tenga en cuenta que la suma de los porcentajes de todas las regiones debe ser igual al 100%.



Esta sección contiene pautas para las acciones y posibles mensajes de error mostrados por Landroid. Finalmente, hay una sección de solución de problemas diseñada para ayudarlo a comprender y resolver cualquier problema.

MENSAJES DE OPERACIÓN

MENSAJE	LANDROID ACCIÓN
Cortando hierbas	Siega según el horario de siega.
Lloviendo	El sensor de lluvia detecta agua. El Landroid volverá a la base de carga y permanecerá en la base de carga durante el tiempo de programación para estarlo. Después del secado, el Landroid comenzará a la cuenta atrás automáticamente de retraso de lluvia y volverá a realizar su trabajo. Si desea que Landroid corte el césped antes de ello, simplemente apáguelo y vuelva a encenderlo, pero solo si el sensor de lluvia está seco o puede establecer el tiempo de retraso en 0 minutos.
Ir a inicio	necesidad de cargar: las cuchillas de corte se detiene para ahorrar energía mientras se mueve a la base
Cargando	Mostrar "Carga" y cargar el porcentaje.
Sin programación de trabajo	En espera, necesita programar según lo deseado.
No trabajando hoy	El modo de espera comenzará de acuerdo con la programación.
Trabajo realizado hoy	
Búsqueda de zona	En función de la configuración del "área de trabajo personalizado", Landroid está buscando un área concreta para cortar el césped.
Carga completa	Landroid ha sido completamente cargado.
Carga de emergencia	Landroid se está cargando en modo apagado.

MENSAJES DE ERROR

A veces las cosas salen mal. Afortunadamente, Landroid es lo suficientemente inteligente como para decirle si está resolviendo el problema, por lo que se puede resolver. Si tiene preguntas, visite nuestro sitio web donde puede encontrar videos útiles y más apoyo.

MENSAJE	CAUSA	ACCIÓN
Área de trabajo exterior! Presiona "START" para reiniciar	Landroid no pudo encontrar la señal de la línea de límite.	<p>Si el Landroid está realmente fuera de su área de trabajo: apague la alimentación, coloque el Landroid en el área de trabajo, enciéndalo y presione Iniciar.</p> <p>Si el Landroid está en su área de trabajo, verifique si el LED en la base de carga está verde. De lo contrario aparece como rojo, asegúrese de que la base de carga esté correctamente conectada al cargador y que esté conectada a la fuente de alimentación eléctrica adecuada.</p> <p>Si están conectados correctamente, los terminales del cable de borde se sujeta incorrectamente y se debe invertir.</p>
INCORRECTO PIN! Por favor intente de nuevo.	El código PIN es incorrecto.	Ingrese el PIN correcto o reestablece el PIN.
Error del motor de la cuchilla! Presiona "START" para reiniciar	El disco Blade está bloqueado por un objeto, por ej. una rama.	<p>Apague.</p> <p>Invierta el Landroid hacia abajo y verifique si algo evita que la cuchilla gire y elimine cualquier obstáculo.</p> <p>Gire el Landroid en posición vertical. Encienda. Presione Inicio.</p>
	La hoja está sobrecargada de hierba gruesa.	<p>Apague.</p> <p>Lleve el Landroid a un área más corta de la hierba o ajuste la altura de corte a un ajuste más alto.</p> <p>Encienda. Presione Inicio.</p>
Error del motor de la rueda! Presiona "START" para reiniciar	El motor de la rueda está bloqueado de alguna manera.	<p>Apáguelo, coloque el Landroid en un área libre de obstáculos;</p> <p>Encienda. Presione Inicio.</p> <p>Si el mensaje de error sigue apareciendo, apague la alimentación. Invierta el Landroid y verifique si algo evita que el disco girara.</p> <p>Elimine los obstáculos y ponga el Landroid en posición vertical para encenderlo.</p>

<p>Voltear hacia arriba y hacia abajo! Presiona "START" para reiniciar</p>	<p>Esto puede suceder cuando el Landroid toca una superficie inclinada que hace que se vuelque.</p>	<p>Levanta el Landroid y elimina cualquier obstáculo que pueda hacer que el Landroid se vuelque.</p>
<p>El cortacésped está atrapado! Presiona "START" para reiniciar</p>	<p>Landroid está atrapado.</p>	<p>Apague.</p> <p>Lleve el Landroid al área del césped donde no haya obstáculos, luego encienda la alimentación. Presione Inicio.</p> <p>Si aún se muestra el mensaje de error, apague y ponga el Landroid al revés. Compruebe si hay algo que impida que el disco gire.</p> <p>Elimine los obstáculos y ponga el Landroid en posición vertical para encenderlo.</p>
<p>El cortacésped está desplazado! Presiona "START" para reiniciar</p>	<p>Landroid se levanta.</p>	<p>Apague.</p> <p>Lleve el Landroid al área del césped sin obstáculos y enciéndalo. Presione Inicio.</p> <p>Si sigue apareciendo el mensaje de error: apáguelo, invierta el Landroid y compruebe que no haya ningún obstáculo que genere el problema de levantamiento.</p> <p>Retire todos los objetos posibles y ponga el Landroid en posición vertical para encenderlo.</p>
<p>El voltaje de la batería es demasiado bajo. Por favor, cambie la batería.</p>	<p>La batería se agote.</p>	<p>En este caso, debe apagar el Landroid y colocarlo en la base de cargamiento, luego la pantalla mostrará "Carga de emergencia", lo que significa que comienza a cargar.</p> <p>Si el error de la batería persiste, la batería está dañada y debe reemplazarse.</p>
<p>El cable no encontrado! Presiona "START" para reiniciar</p>	<p>La máquina no pudo encontrar la señal del cable de borde.</p>	<p>Si el LED parpadea en rojo, verifique que el cable de borde esté bien conectado a la base de cargamiento. Si el problema persiste, verifique si el cable de borde no esté desconectado</p>
<p>La temperatura de la batería está fuera de rango! Por favor sea paciente</p>	<p>La temperatura es demasiado alta durante la carga (más de 55°C).</p>	<p>Coloque la base de carga en la posición correcta o espere hasta que la temperatura se haya enfriado.</p>

<p>No se puede encontrar la estación de carga y presione START para reiniciar.</p>	<p>La línea de límite excede su longitud máxima (1145 pies) o la máquina no tiene suficiente energía para regresar a la estación de carga.</p>	<p>Lleva el Landroid a la estación de carga.</p>
<p>El cortacésped está bloqueado!</p>	<p>Cuando la "función de bloqueo" está habilitada, si el Landroid no recibe una señal del enrutador Wi-Fi dentro de 3 días, se bloqueará como medida de seguridad.</p> <p>Esto puede deberse a que su enrutador está apagado o usted reemplazó un enrutador Wi-Fi o un proveedor de red.</p>	<p>Vuelva a conectar Landroid a la red Wi-Fi originalmente emparejada.</p> <p>Si esto no es posible, póngase en contacto con el servicio al cliente.</p>

NOTAS

- Antes de conectar la alimentación, asegúrese de verificar si el Landroid está en su área de trabajo. Si no, se muestra el "Fuera del área de trabajo!" Presione "START" para reiniciar "se mostrará. Este mensaje también se muestra cuando la parte de Landroid no está completamente en su área de trabajo.
- Si por alguna razón, por ejemplo: una fiesta, los niños que juegan en el alrededor... -y desea estacionar el Landroid en la base de carga: presione "inicio" y luego presione "OK". Landroid conectará a su base y se quedará allí. Tenga en cuenta que Landroid ahora esperará hasta la próxima sesión de corte programada. Si desea reiniciarlo, presione "OK" para iniciar Landroid.
- Si comete errores repetidos en la misma área del césped, es posible que tenga problemas con el cable de borde, así que consulte las instrucciones de instalación anteriores y verifique la configuración con su ayuda.
- Si su césped está dividido en dos áreas separadas, conéctese a través de un corredor de menos de 3 ft, una de las cuales no tiene base de cargamiento: cuando se agote la batería el Landroid, llévelo manualmente a la base de cargamiento y comenzará el proceso de carga.
- Si el Landroid funciona de forma anormal, apáguelo y retire la batería durante 30 segundos, luego reinicielo y luego reinicielo. Si el problema no se puede resolver, comuníquese con su representante de servicio de WORX para obtener ayuda.

SOLUCIÓN DE PROBLEMAS

Si su Landroid no funciona correctamente, siga la guía de solución de problemas a continuación. Si el problema persiste, póngase en contacto con el servicio al cliente.

SÍNTOMA	CAUSA	SOLUCIÓN
La luz LED en la base de carga no se enciende.	No hay energía.	Verifique que la base de carga esté correctamente conectada al adaptador y que esté conectada a la fuente de alimentación adecuada.
La luz roja está iluminada en la base de carga.	El cable de borde no está conectada.	Compruebe que el cable de borde esté correctamente conectada a la base de cargamiento. Revise el cable de borde que no tenga roturas.
Landroid se enciende pero el disco de cuchillas no se mueve.	Landroid está buscando una base de carga.	Esto es normal: si se debe recargar el Landroid y las cuchillas no giran cuando busca automáticamente la base de cargamiento.
Vibración de Landroid.	El disco de la cuchilla está desequilibrado. La cuchilla puede estar dañada.	Inspeccione la cuchilla y reemplácela si está dañada. Retire los residuos y objetos extraños del disco de las cuchilla y de la cuchilla.
La hierba está cortada de manera desigual	Landroid no trabaja suficientes horas por día para cortar el césped.	Agregue más horas a la programación de actividad.
	El área de corte es demasiado grande para adaptarse a su tamaño de Landroid.	Trate de reducir el tamaño del área de corte.
	La hoja es roma y no afilada.	Reemplace todas las cuchillas y tornillos para equilibrar la cuchilla.
	La altura de corte es demasiado baja y no es adecuada para la longitud del césped.	Aumente la altura de corte y luego disminuya gradualmente.
	La hierba u otro objeto se ha quedado metido en del disco de las cuchillas.	Revise la cuchilla y retire cualquier hierba u otro objeto que pueda evitar que gire.
	Hay acumulación de hierba en el disco de cuchillas o en la caja del motor.	Asegúrese de que el disco de la cuchilla sea fácil de girar. Si es necesario, puede quitar la cuchilla y eliminar los residuos.
Su Landroid está en su área de trabajo y la línea de límite está conectada, pero la pantalla muestra "Área de trabajo externa! Presiona "START" para reiniciar	Los extremos del cable de borde se fijaron incorrectamente.	Invierta el final de la línea de límite y vuelva a conectarse a la estación de carga.

El tiempo de carga supera con creces el tiempo de carga nominal.	Los residuos en la caja de cargamiento causan una mala conexión.	Use un paño para limpiar pines en la base de carga y la clavija de carga en el Landroid.
	El programa de protección de carga se activa debido a la temperatura alta.	Coloque la base de carga en la posición correcta o espere hasta que la temperatura se haya enfriado.
El cortacésped no carga.	No hay energía.	Asegúrese de que el cable de alimentación esté correctamente conectado al cargador y que este esté conectado a una fuente de alimentación eléctrica adecuada. Asegúrese de que las dos clavijas de carga del cortacésped toquen la clavija central en la base de cargamiento.
Landroid comenzó a reducir el tiempo de ejecución entre cargas.	Algo está bloqueado en el disco de cuchillas, creando fricción y aumentando el consumo de energía.	Retire el disco blade y límpielo. Quizá la hierba sea demasiado alta y demasiado gruesa.
	Landroid tiembla mucho porque el disco de la cuchilla está desequilibrado.	Inspeccione el disco de las cuchillas y las cuchillas para eliminar los residuos y objetos extraños de ellos. Reemplace la cuchilla por una nueva.
	La batería puede estar agotada o envejecida.	Reemplace la batería.
Landroid no se está ejecutando en el momento correcto.	El reloj no está ajustado a la hora correcta.	Ajuste el reloj a la hora correcta.
	El tiempo de corte de la programación de Landroid es incorrecto.	Cambie la configuración de tiempo del cortacésped para iniciar y detener.
Landroid no puede acoplarse correctamente con la base de cargamiento.	Impacto ambiental.	Reinicie Landroid.
	Los residuos en la caja de cargamiento causan una mala conexión.	Use un paño para limpiar pines en la base de carga y la clavija de carga en el Landroid.
La luz verde de la base de cargamiento se ilumina antes de que la carga se fuera completado.	La base de carga está sobrecalentada. La pantalla muestra "La temperatura de la batería está fuera del rango! Por favor sea paciente".	Coloque la base de carga en la posición correcta o espere hasta que la temperatura se haya enfriado.
La rueda de Landroid se desliza o se desliza repetidamente.	Landroid puede presentar obstáculos extraños en su parte inferior como ramas.	Retire los objetos extraños de la parte inferior del Landroid.
	El césped está demasiado mojado.	Espere hasta que el césped haya secado.

<p>Landroid se ejecuta fuera del cable de borde.</p> <p>Landroid no recorta el área dentro del área limítrofe.</p> <p>Landroid se invierte o rota irregularmente alrededor de la línea del límite.</p>	<p>La línea limitante de otra Landroid u otra cortadora robótica están demasiado cerca.</p>	<p>Asegúrese de que haya al menos un espacio de 3 pies entre su límite y su vecino.</p>
	<p>En condiciones húmedas, la señal eléctrica de la línea limitante puede tener una fuga cuando el cable se ha conectado o reparado incorrectamente.</p>	<p>Compruebe el conector de la línea de límite. Aislamiento para proporcionar una conexión completamente impermeable.</p>
	<p>Hay una fuga de señal eléctrica en la línea de límite debido a la ruptura del aislamiento.</p>	<p>Repáre las líneas divisorias dañadas usando los conectores de cable incluidos.</p>
<p>Landroid se desliza fuera de la colina desde el área de trabajo.</p>	<p>Agarre bajo de la rueda motriz de Landroid.</p>	<p>Compruebe que las ruedas estén limpias y libres de barro para un agarre máximo.</p>
<p>Landroid se bloqueará cuando se esté cargando o en espera.</p>	<p>Error del software o pantalla.</p>	<p>Reinicie Landroid.</p>
<p>Cuando esté acoplado en el base de cargamiento, Landroid se apagará.</p>	<p>Landroid no se puede recargar debido a la protección contra sobrecalentamiento y se ha apagado.</p>	<p>Coloque la base de carga en la posición correcta o espere hasta que la temperatura se haya enfriado.</p>
	<p>Mala conexión.</p>	<p>Compruebe la luz LED en la base de cargamiento.</p> <p>Compruebe la conexión entre el pin en la base de cargamiento y la clavija de carga.</p>
<p>Landroid está estacionado en el área de trabajo.</p>	<p>Hay obstáculos en el área de trabajo.</p>	<p>Elimine obstáculos en el área de trabajo de Landroid.</p>
	<p>La altura de corte es demasiado baja y no es adecuada para la longitud del césped.</p>	<p>Aumente la altura de corte y luego disminuya gradualmente.</p>
	<p>La línea limitante extendida no debe exceder los 400 ms, de lo contrario puede causar problemas de señal.</p>	<p>Reducir la longitud de la línea de límite.</p>
	<p>La distancia entre el centro del césped y la línea fronteriza no debe exceder los 82 pies, de lo contrario se puede producir una atenuación de la señal.</p>	<p>Reduzca la distancia entre el centro del césped y el perímetro de la línea de límite dentro de 82 pies.</p>
<p>Landroid se volcó.</p>	<p>Hay un obstáculo en pendiente en el césped.</p>	<p>Elimine obstáculos en el área de trabajo de Landroid.</p>

<p>Landroid no puede conectarse a internet.</p>	<p>Por favor, compruebe si su enrutador tiene la configuración correcta.</p>	<p>Asegúrese de que su enrutador es de 2.4 GHz. Si su enrutador tiene dos configuraciones, habilite la banda de 2.4GHz.</p> <p>Asegúrese de que el enrutador sea configurado en el modo 802.11 y que la configuración inalámbrica sea mixto b/g/n.</p> <p>Asegúrese de que el enrutador habilite la transmisión SSID al conectar la máquina a la aplicación.</p> <p>Puede cerrarlo después de una conexión exitosa.</p> <p>Asegúrese de que la función DHCP esté habilitada.</p> <p>Si cambia su red Wi-Fi, necesitará conectar Landroid a la nueva red.</p> <p>Si tiene un enrutador "Fritz! Box", por favor, asegúrese de activar "Permitir la comunicación entre dispositivos de la misma red" en la configuración.</p>
---	--	--

Protección del medio ambiente

Los productos eléctricos residual no deben desecharse con la basura doméstica. Por favor recicle el lugar donde existe la dicha instalación. Por favor, consulte a su gobierno local o distribuidor para obtener consejos de reciclaje.

DATOS TÉCNICOS

ESPECIFICACIONES	WR140 WR143	WR150 WR153
Voltaje nominal	20V Max.*	
Sin velocidad de carga	2800/min.	2200/min
Area de corte	1/4 acre (10.890 pies cuadrados)	1/2 acre (21.78 pies cuadrados)
Diámetro de corte	7" (18 cm)	8.7" (22 cm)
Altura de corte	1.9" - 3.5" (50 mm-90 mm)	1.6"-3.9" (40 mm-100 mm)
Posición de altura de corte	5	
Tipo de batería	Ion litio	
Modelo de batería	WA3578.3	
El tiempo de carga estimada	90 min.	
Modelo de cargador	WA3752	
Calificación del cargador	Introduzca: 120 V~60 Hz, 90 W, Salida: 20 V, 3.0 A	
Peso mecánico	21.16 lbs (9.6 kg)	22.9 lbs (10.4 kg)
Nivel de protección	III	
Aplicación	Sí	
Banda de frecuencia del módulo WLAN incorporado	2.14GHz-2.484GHz	
La máxima potencia de la radio-frecuencia del módulo WLAN incorporado.	802.11b:+16±2dBm(@11Mbps) 802.11g:+14±2dBm(@54Mbps) 802.11n:+13±2dBm(@HT20,MCS7)	

* Medir la tensión sin estar en carga. El voltaje inicial de la batería puede ser de hasta 20 voltios. La tensión nominal es de 18 voltios.

