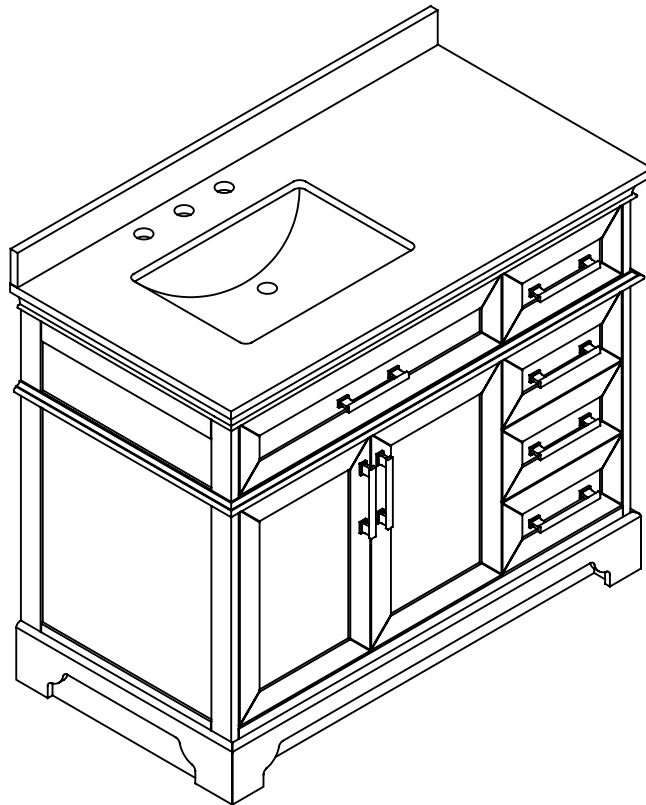


ASSEMBLY INSTRUCTIONS

CHERRYDALE 42 IN. VANITY



Questions, problems, missing parts? Before returning to the store,
call Home Decorators Collection Customer Service
8 a.m. - 7 p.m., EST, Monday - Friday, 9 a.m. - 6 p.m., EST, Saturday

1-800-986-3460

HOMEDEPOT.COM/HOMEDEPOT.CA/HOMEDECORATORS

THANK YOU

We appreciate the trust and confidence you have placed in Home Decorators Collection through the purchase of this vanity. We strive to continually create quality products designed to enhance your home. Visit us online to see our full line of products available for your home improvement needs. Thank you for choosing Home Decorators Collection!

Table of Contents

| | | | |
|---------------------------------|----------|--------------------------------|----------|
| Table of Contents | 2 | Tools Required | 4 |
| Safety information | 2 | Package Contents | 5 |
| Warranty | 3 | Assembly | 6 |
| Limited Lifetime Warranty | 3 | Maintenance | 9 |
| What is Covered..... | 3 | Care and cleaning | 9 |
| What is Not Covered | 3 | Troubleshooting | 9 |
| Pre-assembly | 4 | | |
| Planning Assembly | 4 | | |

Safety Information



DANGER

- ❑ Keep small parts away from children during assembly.
- ❑ Failure to follow warnings and cautions could result in serious injury.
- ❑ **DO NOT** use harsh bathroom cleaners or grout cleaners on any natural stone.



WARNING

- ❑ Read these instructions carefully and keep in a safe place.
- ❑ Adult assembly required.
- ❑ Do not over tighten connectors (screws, bolts, etc.) Overtightening can lead to product damage.
- ❑ Small parts may present choking hazard prior to assembly.
- ❑ Do not stand, step or climb on unit.



Caution

- ❑ USE preventative cleaning measures to keep your stone pristine.
- ❑ USE sealers according to the product specific directions.
- ❑ Blot spills quickly, and wash with mild soap and warm water.
- ❑ Stone countertops (Granite, Marble, etc.) are surprisingly resilient to stains and scratches. However, as a preventative measure, any spills on the stone surfaces should be wiped up within a reasonable amount of time. Do not let liquid sit on the stone overnight. Stones are most prone to staining by oil and acid, so be sure to blot these spills as soon as they happen. Follow up by cleaning the stone with a mild non-abrasive soap and water.
- ❑ Be sure to check all packing materials carefully for small parts that may have come loose inside the carton during shipment. If parts are missing, contact THE HOME DEPOT to obtain any missing parts.
- ❑ Using abrasive cleansers will damage the surface.

LIMITED LIFETIME WARRANTY

WHAT IS COVERED

Home Decorators Collection products are manufactured with superior quality standards and workmanship and are backed by our limited lifetime warranty. Home Decorators Collection products are warranted to the original consumer purchaser to be free of defects in materials or workmanship. We will replace FREE OF CHARGE any product or parts that proves defective.

Simply, return the product / part to any of The Home Depot retail locations or call 1-800-986-3460 to receive the replacement item.

Proof of purchase (original sales receipt) from the original consumer purchaser must be made available for all Home Decorators Collection warranty claims.

WHAT IS NOT COVERED

This warranty excludes incidental/consequential damages and failures due to misuse, abuse or normal wear and tear.

This warranty excludes all industrial, commercial & business usage, whose purchasers are hereby extended a five-year limited warranty from the date of purchase, with all other terms of this warranty applying except the duration of warranty. Some states and provinces do not allow the exclusion or limitation of incidental or consequential damages, so the above limitations may not apply to you. This warranty gives you specific legal rights and you may also have other rights that vary from state to state and province to province. Please see a store or contact 1-800-986-3460 for more details.

Pre-assembly

PLANNING ASSEMBLY

Check the vanity for damage before installation. If any part of the vanity is missing or damaged, contact the Customer Service Team at 1-800-986-3460.

Ensure that the vanity location is accessible to water supply and drain lines. It is suggested that you rough-in the water lines and drain before installing the vanity.



NOTE: A drain pipe and trap are not included with this vanity.

TOOLS REQUIRED



Safety goggles



Philips screwdriver



Level



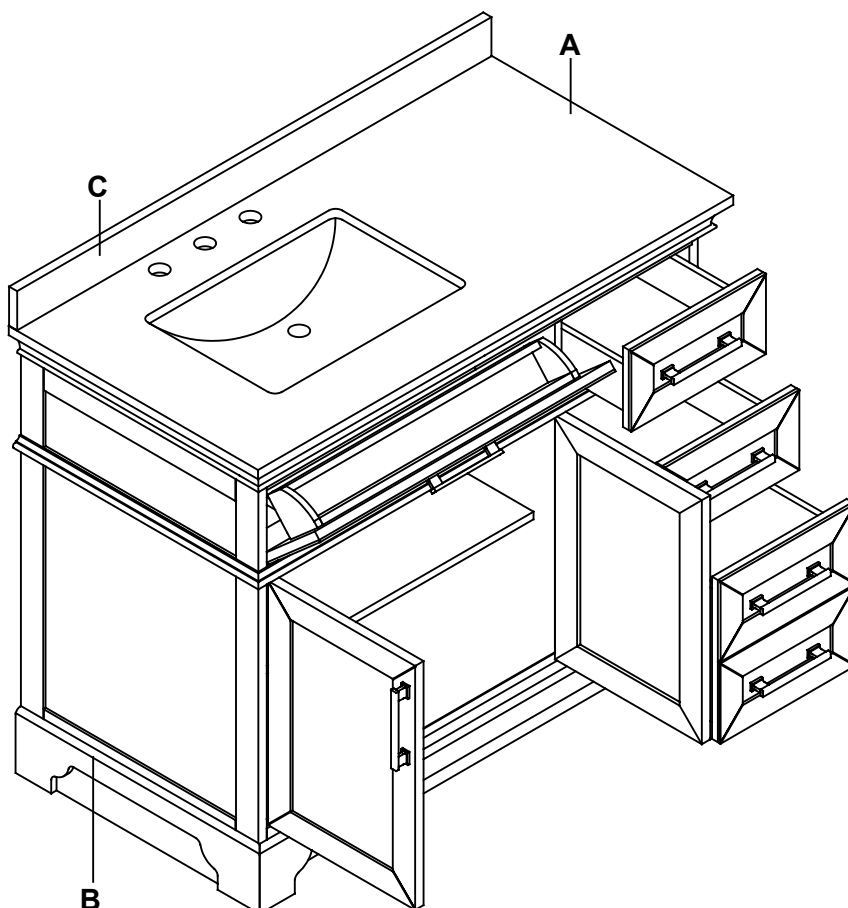
Silicone



Clean rag

Pre-assembly (continued)

PACKAGE CONTENTS



| Part | Description | Quantity |
|------|-------------|----------|
| A | Countertop | 1 |
| B | Vanity | 1 |
| C | Backsplash | 1 |

Assembly

1 Unpacking the countertop

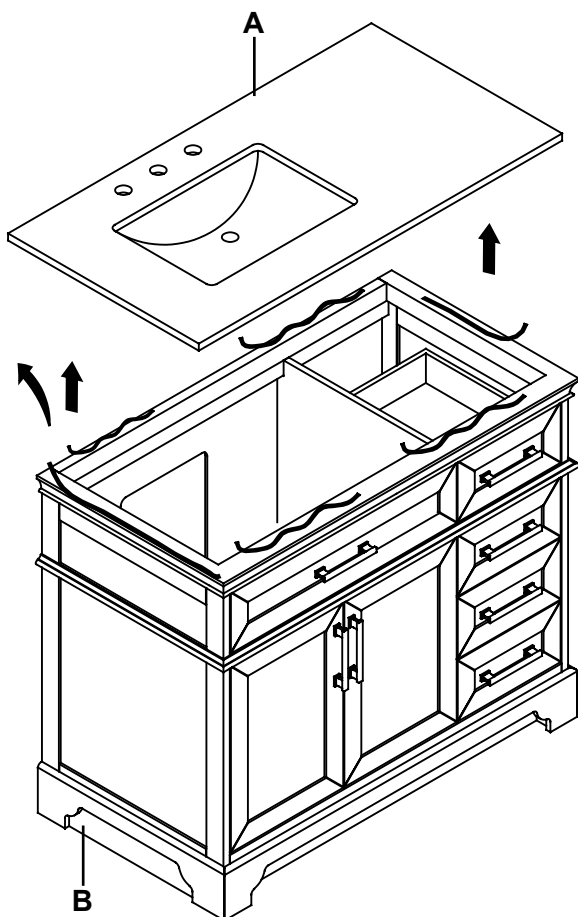
- Unpack the countertop (A) from its vanity (B) and place it on a throw rug or other protective floor covering material to prevent damage to the countertop (A) or floor.
- Tear off the protective foam above the vanity (B).



DANGER: You will need at least two people to assemble this product properly.



CAUTION: During the unpacking and the handling of this vanity, note that the countertop is not pre-glued to the frame.

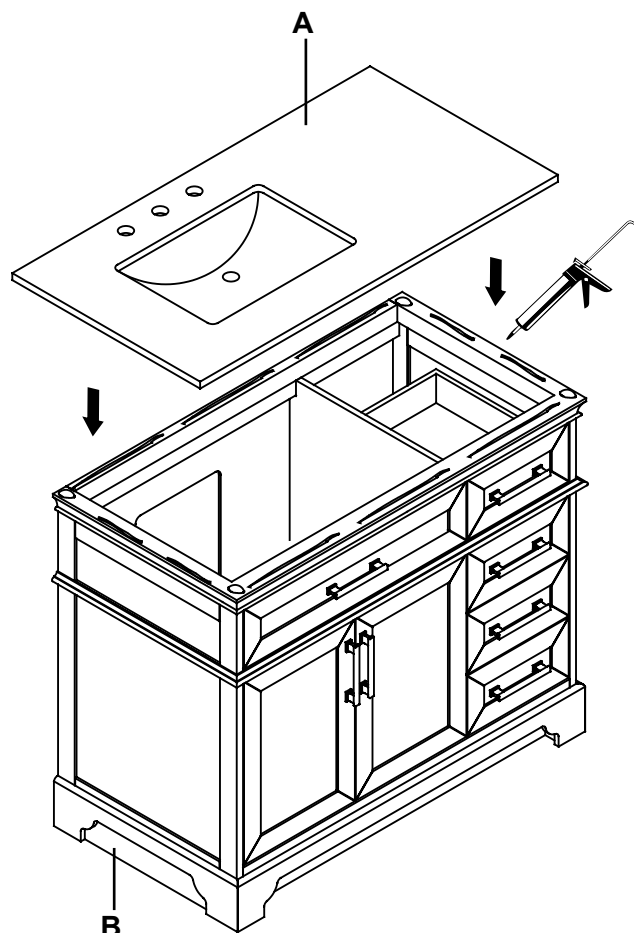


2 Attaching the countertop

- Apply lines of silicone onto the top of the vanity (B).
- Place the countertop (A) on top of the vanity (B).



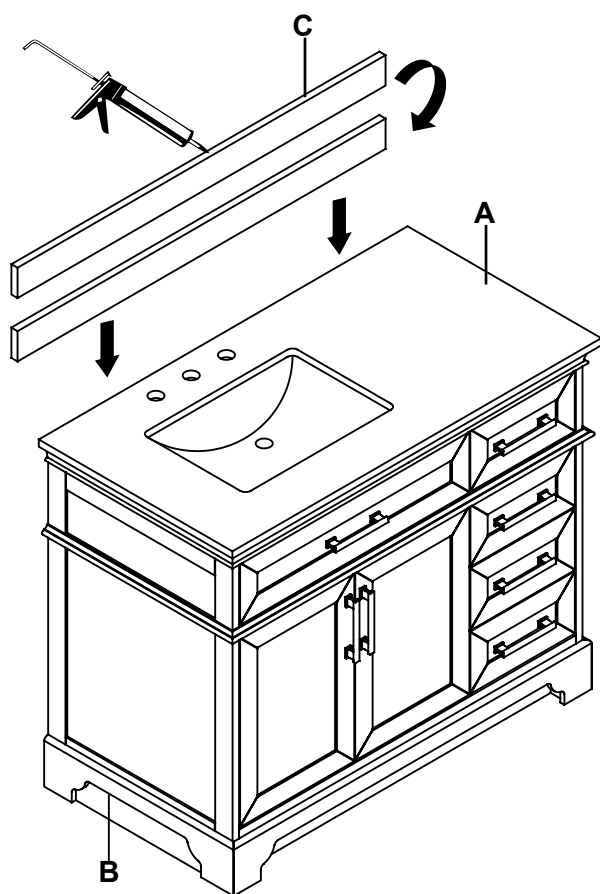
CAUTION: Wear a pair of rubber gloves to protect your hands.



Assembly (continued)

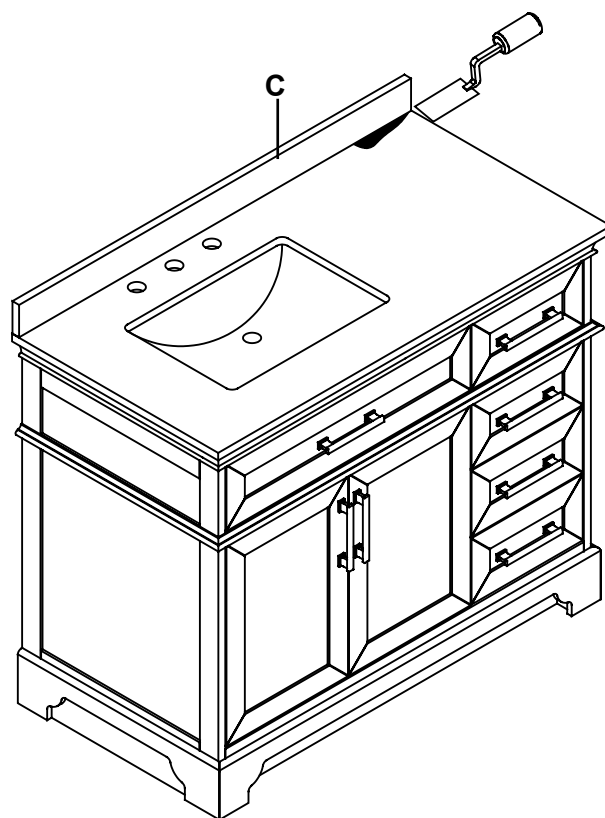
3 Attaching the backsplash

- Wipe off the area on the top of the countertop (A) where the backsplash (C) will sit using a clean rag.
- Apply a line of silicone onto the bottom of the backsplash (C).
- Align the backsplash (C) with the back edge. Slowly lower it onto the countertop (A) and gently press to adhere.



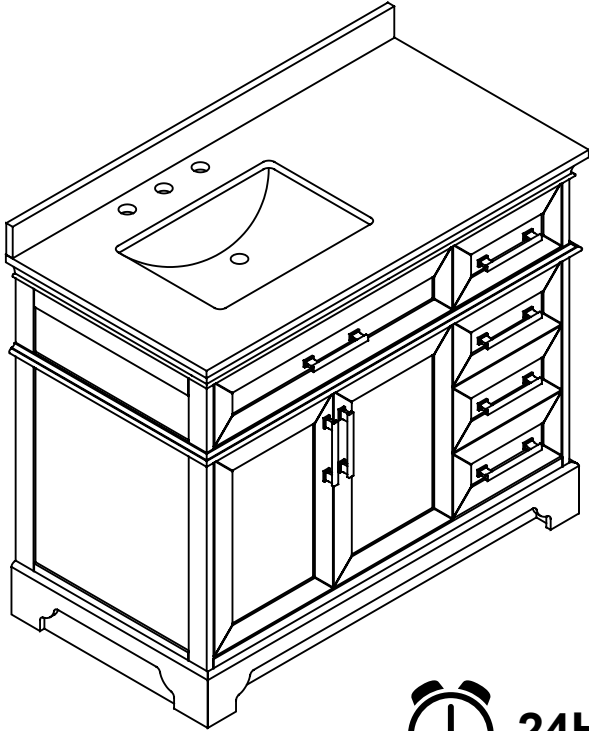
4 Completing the assembly

- Wipe away any seeping silicone from underneath the backsplash (C) with a clean rag.



5 Drying

- Allow the vanity to dry for 24 hours before use.



Maintenance

- Stone countertops (Granite, Marble, etc.) are surprisingly resilient to stains and scratches. However, as a preventative measure, any spills on the stone surfaces should be wiped up within a reasonable amount of time. Do not let liquid sit on the stone overnight. Stones are most prone to staining by oil and acid, so be sure to blot these spills up as soon as they happen. Follow up by cleaning the stone with a mild non-abrasive soap and water.
- In bathrooms specifically, stone tends to attract soap scum, just like man-made tile. Rinse vanity top with clean, hot water frequently.
- The use of sealers is also a powerful preventative measure. Your stone was sealed at the factory, but reapplication is necessary over time. How often is determined by the quality of the sealer used, and the frequency of use. We recommend using a penetrating non-toxic sealer for bath areas, but a food-safe sealer is typically not necessary.
- If stains and scratches do occur, there are many things you can do as a consumer to remove them. Remove oil based stains with acetone, mineral spirits, or ammonia. Organic stains like coffee, tea, or juice can be removed with hydrogen peroxide, mixed with a few drops of ammonia.
- Water spots or rings are the most common problem with bath vanities, and are caused by minerals left behind when water evaporates. These can be removed by buffing the spots gently with 00 gauge steel wool. Likewise, small nicks and scratches can often be removed the same way. Larger scratches, chips, and resilient stains may require professional help. Please contact your local stonemason for details.

Care and Cleaning

- Liquid spills, such as alcohol, medications, etc should be cleaned up promptly. Some liquids with high-acid content can etch marble surfaces if left for any length of time. Popular products that should be promptly cleaned up are: shaving cream, toothpaste, perfume, cologne, nail polish remover, hair coloring and perm products, shampoo, drain opener, and toilet bowl cleaner.
- Place protective pads on the bottoms of any heavy objects, such as pottery, appliances, or other objects that may scratch the marble surface.
- Avoid abrasive cleaners or rough cleaning pads. If necessary, you can use a soft buffing pad.
- Use coasters under drinking glasses to prevent glass rings on the surface.
- Do not stand on the marble top to fix overhead lights or other items. Do not place extremely heavy items on the top.

Troubleshooting

| Problem | Possible Cause | Correction |
|----------------------------------|------------------------------------|----------------------------------------------------------------------------------|
| Surface or product is not level. | Floor is not level. | If this product has adjustable legs, adjust the legs until the surface is level. |
| Doors are not properly aligned. | Door hinges not adjusted properly. | Adjust the door hinges. |

**HOME
DECORATORS
COLLECTION®**

**Questions, problems, missing parts? Before returning to the store, call
Home Decorators Collection Customer Service.
8 a.m. - 7 p.m., EST, Monday - Friday, 9a.m. - 6 p.m., EST, Saturday**

1-800-986-3460

HOMEDEPOT.COM/HOMEDEPOT.CA/HOMEDECORATORS

Retain this manual for future use.