

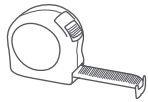
USER CARE & INSTALLATION GUIDE

Package Contents:

- 2 Extendable Single Rod Brackets
- 4 Philips Pan Head Screw
- 4 Wall Anchors

Tools needed:

Tape Measure, Pencil, Drill & Bit Set, Philipshead Screwdriver, Level



Tape Measure



Pencil



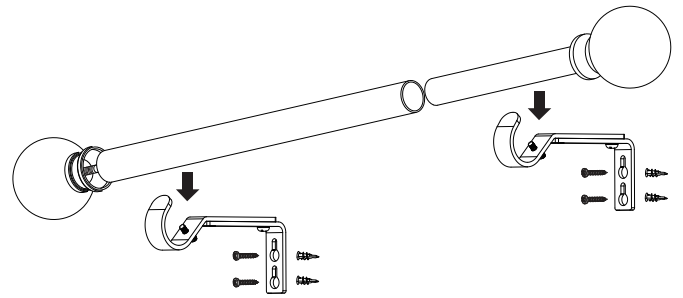
Drill & Bit Set



Philipshead
Screwdriver



Level



BRACKET INSTALLATION

STEP 1.

Place brackets against wall or ceiling at desired locations and mark screw holes. Use tape measure and level to make sure marked screw holes are horizontal to each other.

STEP 2A. (FOR MOUNTING TO DRYWALL OR PANELING)

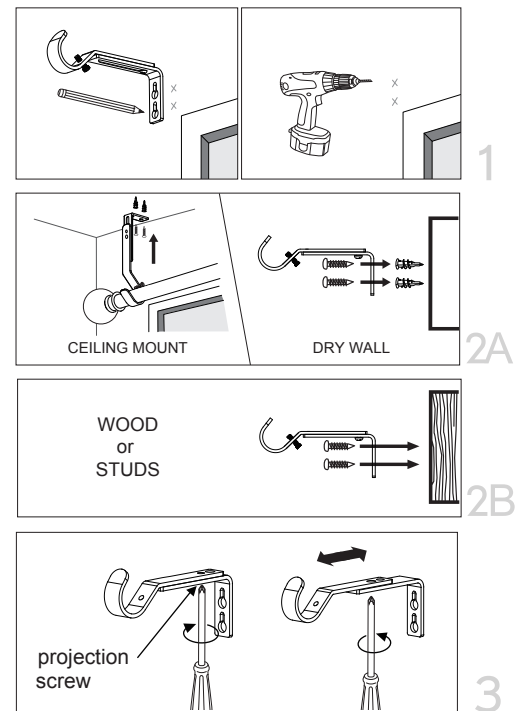
Pre-drill two pilot holes for each bracket (1/4" drill bit) and insert anchors into wall/ceiling and insert screws into wall anchors.

STEP 2B. (FOR MOUNTING TO WOOD OR STUDS)

If mounting directly into wood or studs, pre-drill two pilot holes for each bracket (1/4" drill bit) and install bracket on the wall with screws provided.

STEP 3.

Determine projection of brackets. Loosen projection screw, slide bracket to desired position and tighten projection screw. Repeat for each bracket.



ROD INSTALLATION

STEP 4.

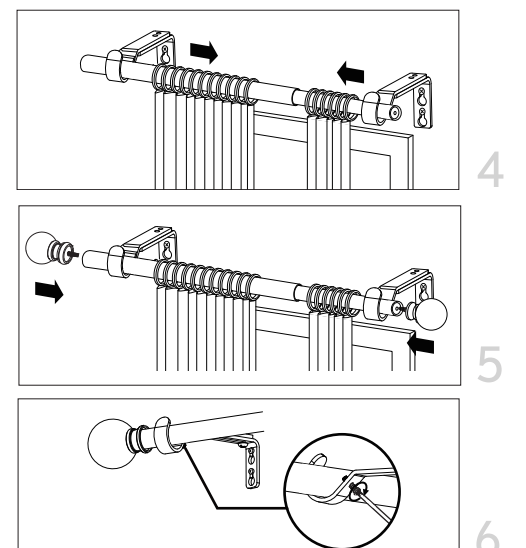
Place curtains on the rod and slide the rod onto the brackets. Note that panels, rods, and finials are sold separately.

STEP 5.

Add finials to the ends of the rod.

STEP 6.

Secure each rod by tightening screws provided.



Care Instruction:

Wipe gently with cloth to clean any sand, dirt, or dust on product. Do not use abrasive cleaners as they may damage the surface finish.