

Instructions For Installing BLACK OR STAINLESS STEEL CHIMNEY CAP

READ ALL INSTRUCTIONS AND CAUTIONS BEFORE PROCEEDING!

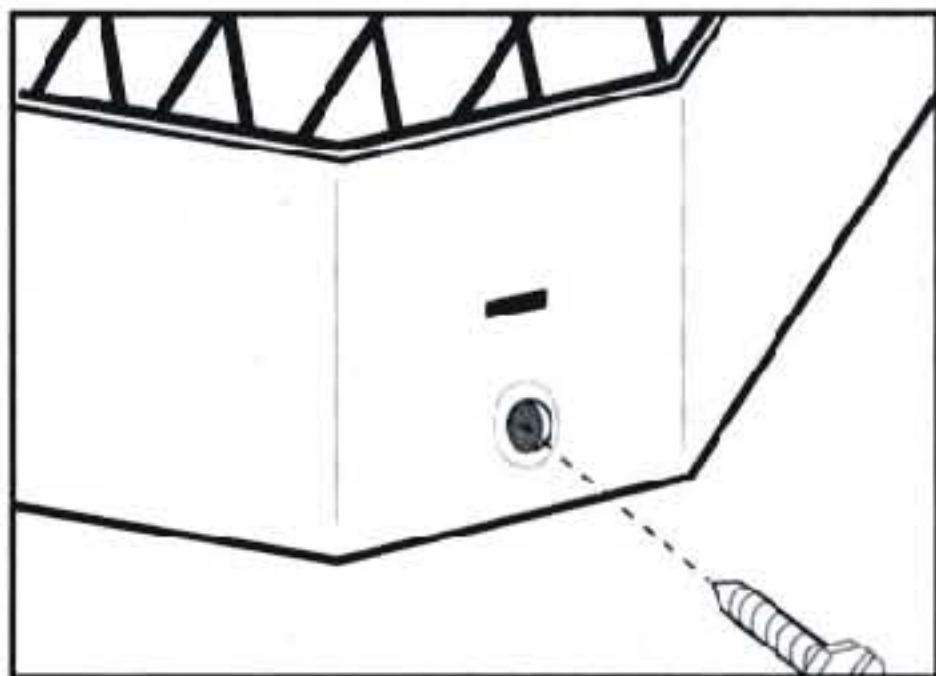
CONTENTS: ONE (1) PACKAGE OF FOUR (4) SCREWS, ONE (1) ASSEMBLED CHIMNEY COVER

NOTE

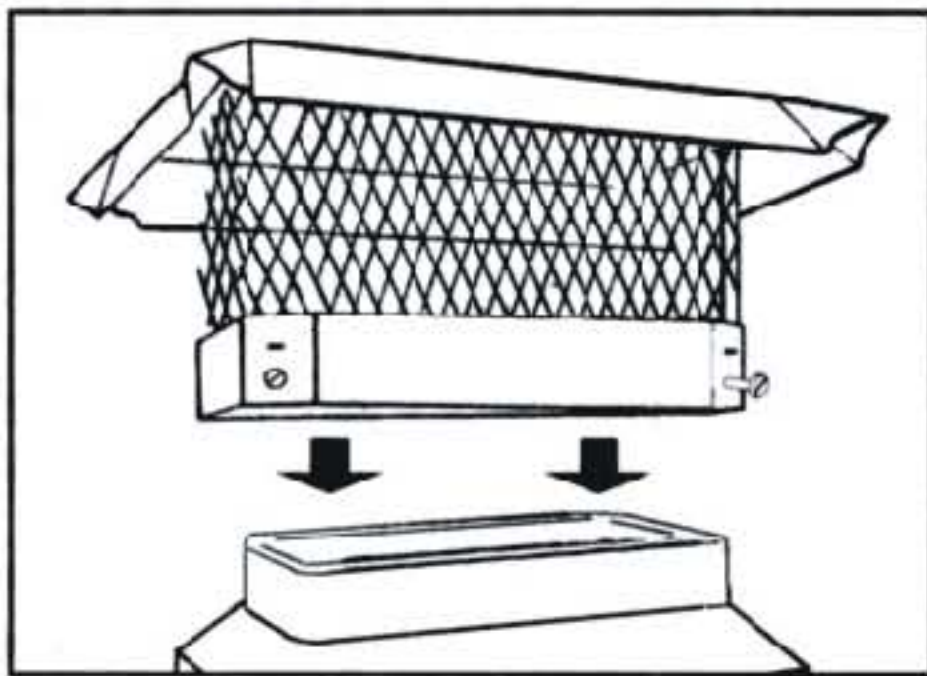
If the tile is extended less than 3/4" out of the mortar, and will not allow the corner screws to engage securely see (illustration 1), a leg kit (SCLK) is available from your dealer. You may then complete the installation as shown to the right (illustration 2).

Bolt on Installation Instructions

Illustration #1



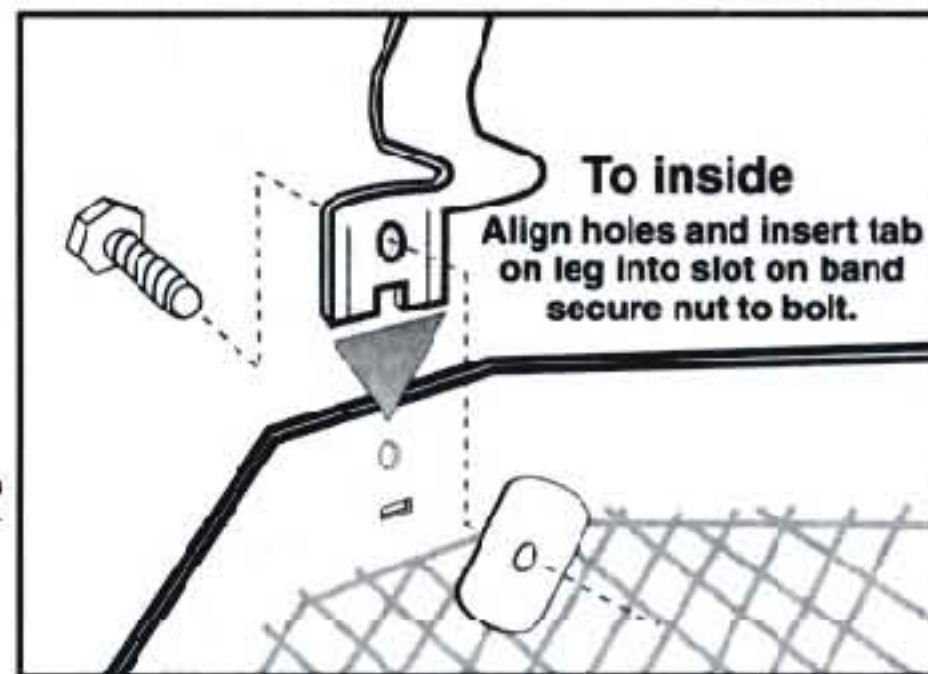
1. Insert one screw into the round hole located in each mitered corner of the chimney cover band. (Just start the screw into the hole a few turns, until all four screws are started.)



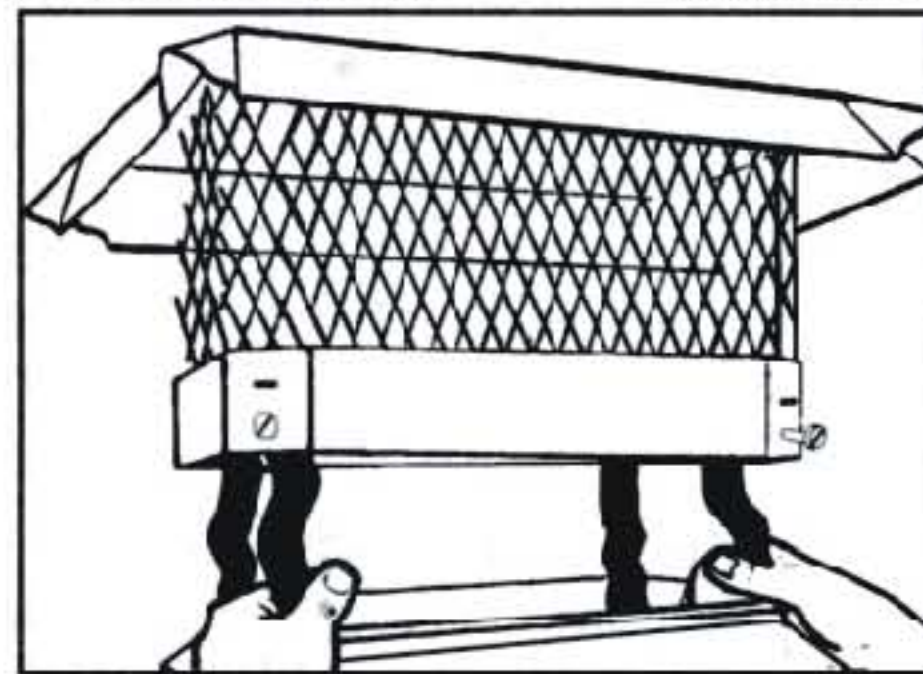
2. Place the chimney cover on the flue liner and align the base with the flue liner. Partially tighten each of the four (4) screws until they are snug to the liner. Then tighten each of the four (4) screws firmly to the liner.

Slip in Installation Instructions

Illustration #2



OR



1. Insert the leg inside each corner of the base of the chimney cap until the hole in the leg is aligned with the hole in the base and the rectangular tab on the leg fits into the slot in the base. Insert the mounting bolt (provided with leg kit) through the hole in the base and the hole in the leg. Hold the self-locking nut against the end of the bolt and twist the bolt until the nut threads on the the bolt 2 or 3 turns or just enough to hold the legs onto the base.

Do not fully tighten at this time.

2. Insert two (2) legs into the liner no more than 1". By exerting pressure as shown, force the other legs inside the liner. Push cover straight down into the chimney liner as far as possible. Tighten the bolts on all four (4) legs until the cover is held firmly into the Flue Tile.