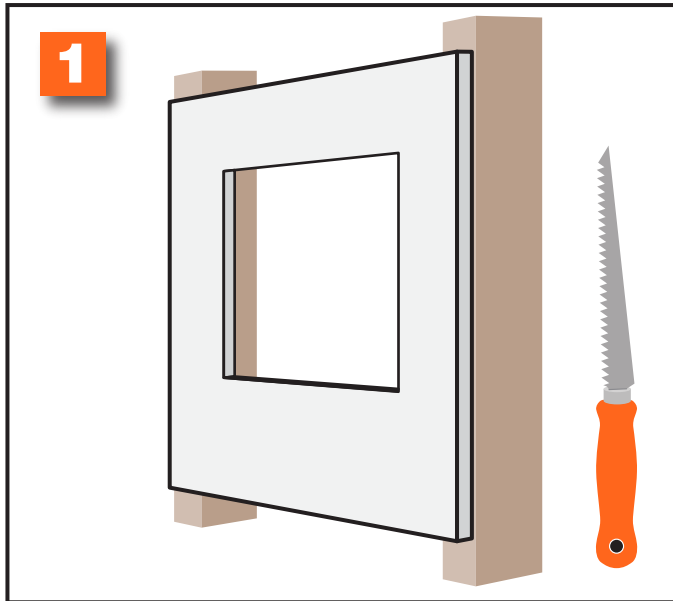
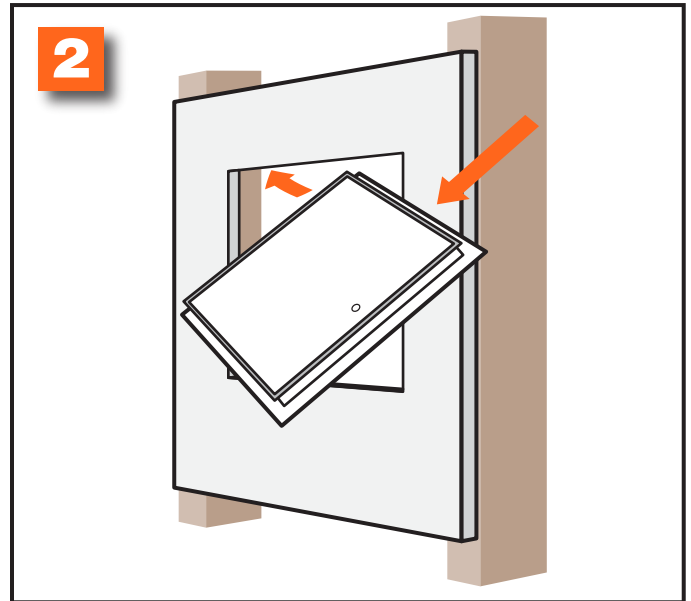


Tub access doors are installed in drywall to allow access to any pipes, wires, insulation, or ducts that are located within the wall.



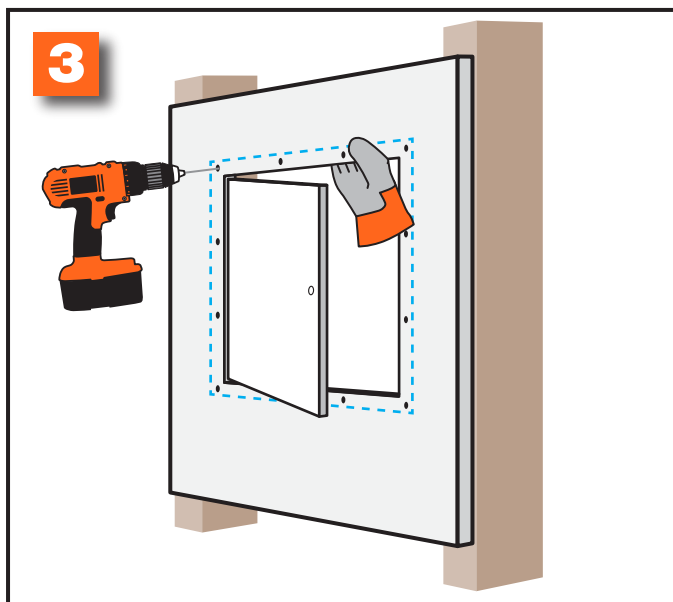
1. Cut Hole in Drywall

With a drywall saw and cut out a section that is 3/8 in. larger than the door rim. 14-3/8 in. x 14-3/8 in.



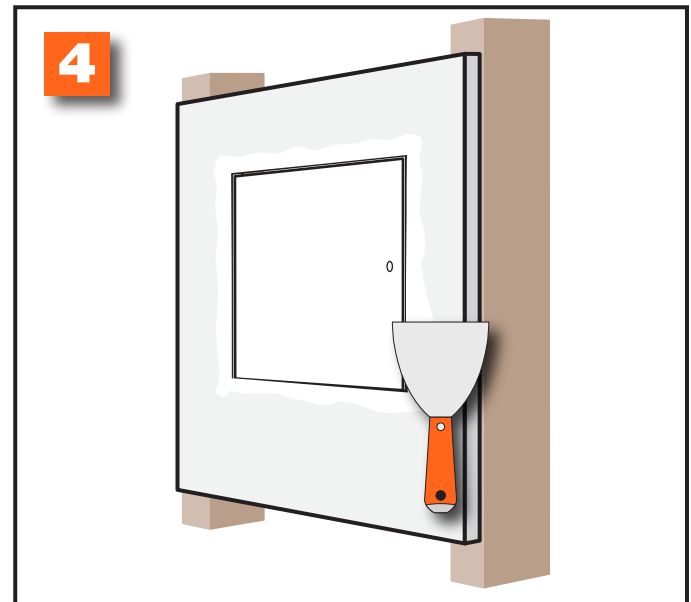
2. Insert the Access Door

Tilt the access door to put the large flange behind the drywall.



3. Attach the Access Door

While holding the large flange tight against the drywall, attach with drywall screws. It is an option to attach the door with construction grade adhesive.



4. Finish the Drywall

Apply drywall compound around the perimeter, hiding the screw heads while feathering the transition. When the compound has dried, sand smooth.