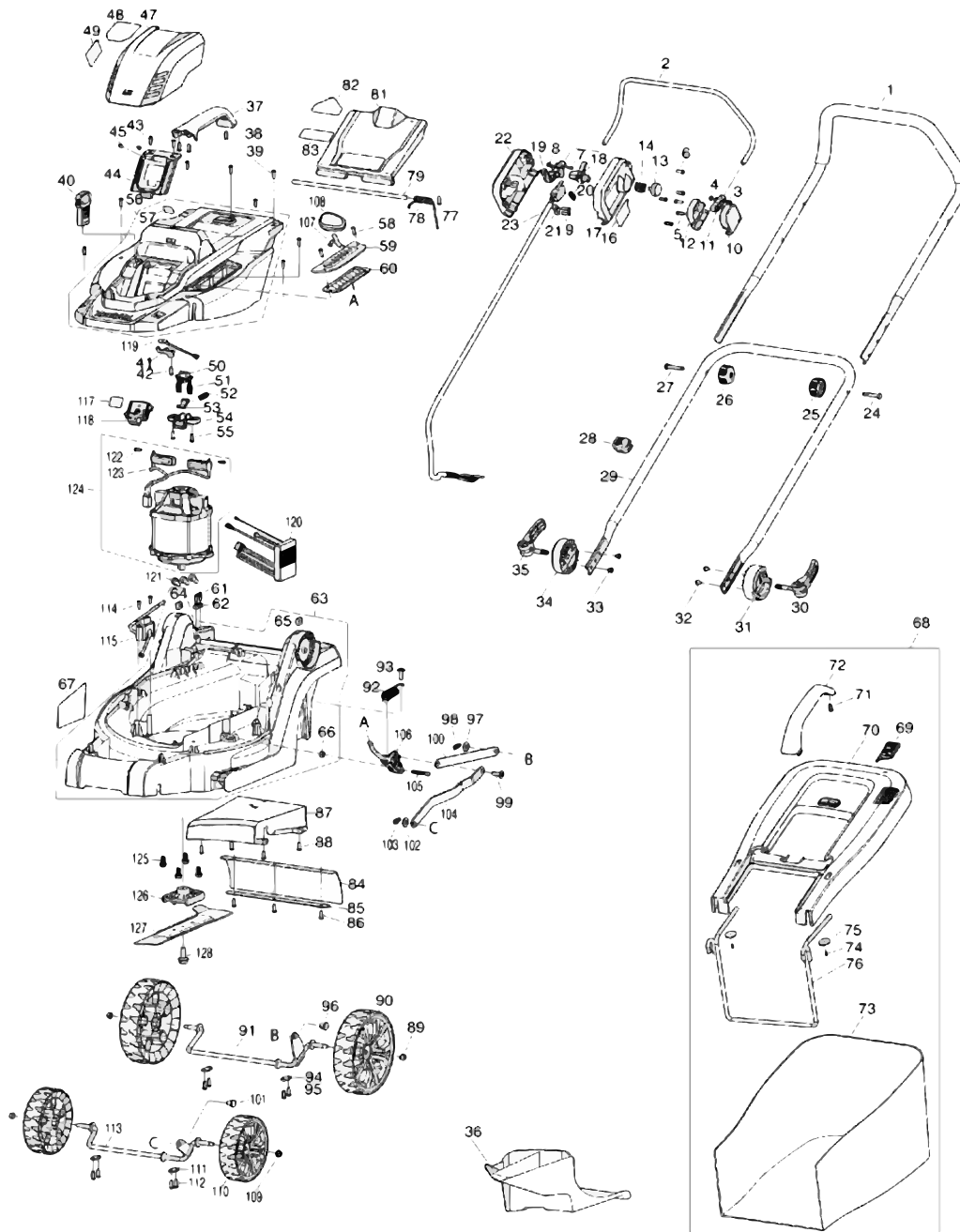




XML12



Products with multiple versions are listed in subsiding order with the newest version on top not indented.

Section	Fig. No.	Part No.	Description	XML12	Tech Bulletin	Notes
1	1	GB00000043	UPPER HANDLE (US,CA)	1		
1	2	GB00000044	SWITCH LEVER	1		
1	3	GB00000045	PAN HEAD SCREW M4X18	1		
1	4	GB00000046	HEX LOCK NUT M4	1		
1	5	GB00000003	TAPPING SCREW ST4.2X15	2		
1	6	GB00000003	TAPPING SCREW ST4.2X15	4		
1	7	GB00000045	PAN HEAD SCREW M4X18	1		
1	8	GB00000046	HEX LOCK NUT M4	1		
1	9	GB00000003	TAPPING SCREW ST4.2X15	2		
1	10	GB00000047	SWITCH LEVER HINGE BOX L	1		
1	11	GB00000048	SWITCH LEVER END CAP L	1		
1	12	GB00000049	SWITCH LEVER HINGE BOX R	1		
1	13	GB00000050	SWITCH LINK BUTTON	1		
1	14	GB00000051	COMPRESSION SPRING	1		
1	16	GB00000153	SWITCH OPERATION LABEL	1		
1	17	GB00000053	SWITCH BOX COVER L	1		
1	18	GB00000054	SWITCH CONTROL LINK	1		
1	19	GB00000055	SWITCH LEVER END CAP R	1		
1	20	GB00000056	TENSION SPRING	1		
1	21	GB00000057	CORD CLAMP	1		
1	22	GB00000058	SWITCH BOX COVER R	1		
1	23	GB00000059	SWITCH&CORD ASSY(US,CA)	1		
1	24	GB00000060	SQUARE NECK BOLT M6X42	1		
1	25	GB00000061	KNOB NUT M6	1		
1	26	GB00000061	KNOB NUT M6	1		
1	27	GB00000060	SQUARE NECK BOLT M6X42	1		
1	28	GB00000062	CORD CLIP	1		
1	29	GB00000063	LOWER HANDLE	1		
1	30	GB00000064	TENSION LEVER ASSY	1		
1	31	GB00000065	HANDLE FIX BLOCK	1		
1	32	GB00000066	TRAS HEAD TAPPING SCREW 4X8	2		
1	33	GB00000066	TRAS HEAD TAPPING SCREW 4X8	2		
1	34	GB00000065	HANDLE FIX BLOCK	1		
1	35	GB00000064	TENSION LEVER ASSY	1		

Products with multiple versions are listed in subsiding order with the newest version on top not indented.

Section	Fig. No.	Part No.	Description	XML12	Tech Bulletin	Notes
1	36	GB00000067	MULCHING PLUG	1		
1	37	GB00000068	CARRYNG HANDLE	1		
1	38	GB00000003	TAPPING SCREW ST4.2X15	3		
1	39	GB00000003	TAPPING SCREW ST4.2X15	8		
1	40	GB00000069	KEY	1		
1	41	GB00000070	INDICATOR UNIT MOUNT	1		
1	42	GB00000003	TAPPING SCREW ST4.2X15	1		
1	43	GB00000158	FLANGED TAPPING SCREW ST4.2X15	2		Included w/43
1	44	GB00000071	BATTERY HOLDER	1		
1	45	GB00000072	RUBBER PIN 5.5X8.5	2		
1	47	GB00000074	BATTERY HOOD	1		
1	48	GB00000075	13 INCH LABEL	1		
1	49	GB00000076	WARNING LABEL(KEY)	1		
1	50	GB00000077	BATTERY HOOD LOCK BUTTON	1		
1	51	GB00000078	COMPRESSION SPRING	2		
1	52	GB00000078	COMPRESSION SPRING	1		
1	53	GB00000079	BATTERY HOOD RATCHI	1		
1	54	GB00000080	BATTERY HOOD RATCHI FIX PLATE	1		
1	55	GB00000003	TAPPING SCREW ST4.2X15	2		
1	56	GB00000081	UPPER HOUSING ASSEMBLY	1		
1	58	GB00000083	TAPPING SCREW ST4.2X15 SILVER	2		
1	59	GB00000084	HEIGHT ADJUST GUIDE PLATE	1		
1	60	GB00000085	RUBBER SHEET FOR GUIDE PLATE	1		
1	61	GB00000003	TAPPING SCREW ST4.2X15	2		
1	62	GB00000057	CORD CLAMP	1		
1	63	GB00000086	DECK ASSEMBLY	1		Inc 64-66
1	64	GB00000087	SQUARE NUT M8	1		
1	65	GB00000087	SQUARE NUT M8	1		
1	66	GB00000088	HEX LOCK NUT M6	1		
1	67	GB00000089	NAMEPLATE XML12	1		
1	68	GB00000150	GRASS CATCHER ASSY(US,CA)	1		Inc 69-76
1	69	GB00000090	GRASS LEVEL INDICATOR PLATE	1		
1	70	GB00000091	GRASS CATCHER UPPER PLATE	1		
1	71	GB00000003	TAPPING SCREW ST4.2X15	1		
1	72	GB00000092	GRASS CATCHER GRIP	1		

Products with multiple versions are listed in subsiding order with the newest version on top not indented.

Section	Fig. No.	Part No.	Description	XML12	Tech Bulletin	Notes
1	73	GB00000093	GRASS CATCHER LOWER PLATE ASSY	1		
1	74	GB00000003	TAPPING SCREW ST4.2X15	2		
1	75	GB00000094	FLAT WASHER 4.5X20X1.4	2		
1	76	GB00000095	GRASS CATCHER FLAME	1		
1	77	GB00000003	TAPPING SCREW ST4.2X15	1		
1	78	GB00000096	REAR FLAP TORSION SPRING	1		
1	79	GB00000097	REAR FLAP HINGE ROD	1		
1	81	GB00000099	REAR FLAP	1		
1	82	GB00000100	DANGER LABEL	1		
1	83	GB00000101	WARNING LABEL	1		
1	84	GB00000102	GRASS&MUD FLAP	1		
1	85	GB00000103	FLAP FIX PLATE	1		
1	86	GB00000003	TAPPING SCREW ST4.2X15	3		
1	87	GB00000104	GRASS OUTLET LOWER PLATE	1		
1	88	GB00000003	TAPPING SCREW ST4.2X15	4		
1	89	GB00000105	HEX FLANGED+F130 LOCK NUT M6	2		
1	90	GB00000106	WHEEL 180MM	2		
1	91	GB00000107	REAR AXLE	1		
1	92	GB00000108	HEIGHT ADJUST TENSION SPRING	1		
1	93	GB00000109	TRUSS HEAD TAPPING SCREW 5X18	1		
1	94	GB00000110	AXLE FIX PLATE	2		
1	95	GB00000003	TAPPING SCREW ST4.2X15	4		
1	96	GB00000111	STEPPED PIN 10-12	1		
1	97	GB00000112	FLAT WASHER 10	1		
1	98	GB00000159	R-PIN 10	1		
1	99	GB00000109	TRUSS HEAD TAPPING SCREW 5X18	1		
1	100	GB00000114	HEIGHT ADJUST LINK ROD REAR	1		
1	101	GB00000111	STEPPED PIN 10-12	1		
1	102	GB00000112	FLAT WASHER 10	1		
1	103	GB00000159	R-PIN 10	1		
1	104	GB00000115	HEIGHT ADJUST LINK ROD FRONT	1		
1	105	GB00000116	PAN HEAD SCREW 6X30	1		
1	106	GB00000117	HEIGHT ADJUST LEVER ASSY	1		
1	107	GB00000118	FLAT HEAD SCREW M4X10	1		
1	108	GB00000119	GRIP FOR HEIGHT ADJUSTMENT	1		

Products with multiple versions are listed in subsiding order with the newest version on top not indented.

Section	Fig. No.	Part No.	Description	XML12	Tech Bulletin	Notes
1	109	GB00000105	HEX FLANGED+F130 LOCK NUT M6	2		
1	110	GB00000120	WHEEL 138MM	2		
1	111	GB00000110	AXLE FIX PLATE	2		
1	112	GB00000003	TAPPING SCREW ST4.2X15	4		
1	113	GB00000121	FRONT AXLE	1		
1	114	GB00000003	TAPPING SCREW ST4.2X15	2		
1	115	GB00000122	KEY SOCKET	1		
1	117	GB00000123	SERIAL NO. LABEL XML12	1		
1	118	GB00000124	TERMINAL	1		
1	119	GB00000125	INDICATOR UNIT	1		
1	120	GB00000126	CONTROLLER	1		
1	121	GB00000127	CLOSED END SPLICE 5.5-SD	3		
1	122	GB00000128	TAPPING SCREW ST3.0X8	2		
1	123	GB00000129	CARBON BRUSH ASSY	1		
1	124	GB00000130	MOTOR ASSY	1		INC 122, 123
1	125	GB00000131	HEX FLANGED BOLT M8X18 W/BOND	1		
1	126	GB00000132	BLADE SUPPORT	1		
1	127	GB00000042	BLADE 330	1		
1	128	GB00000133	BLADE HEX BOLT M8X28 WITH WR	1		
1	A01	GB00000134	WRENCH 13	1		Not Pictured