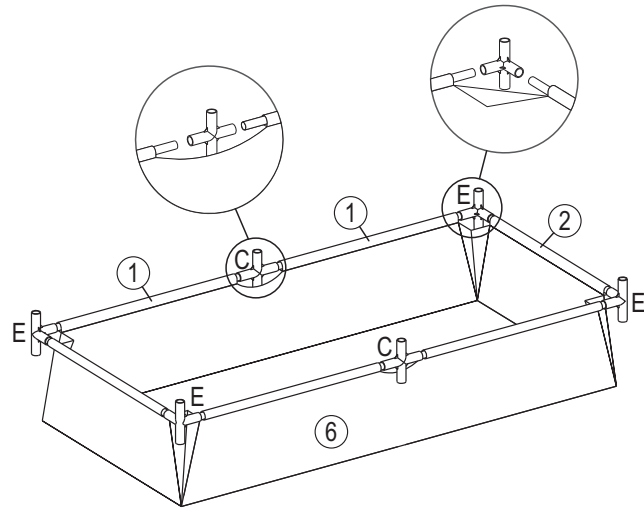
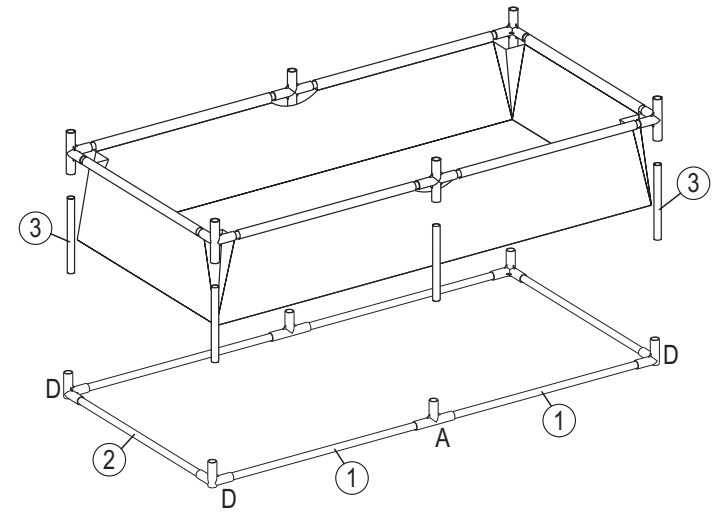


Number	Picture	QTY
①		14
②		4
③		12
④		6
⑤		1
⑥		1
A		6
C		4
D		6
E		5

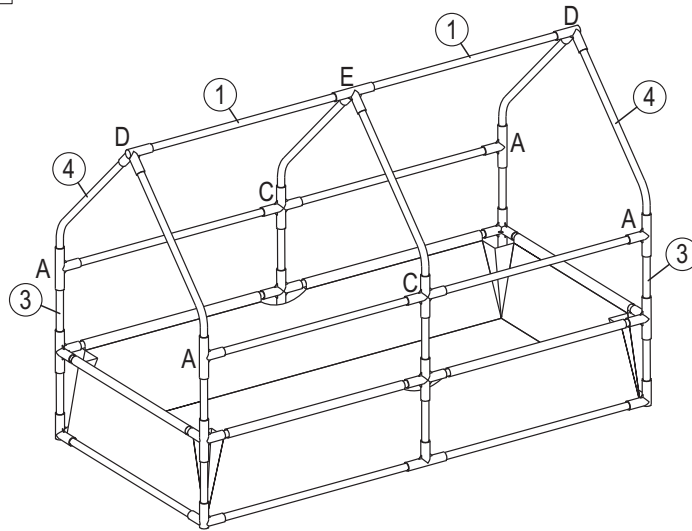
1



2



3



4

