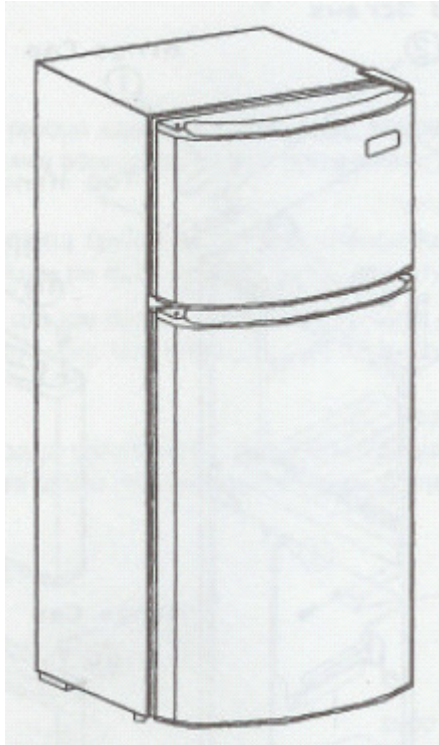


INSTRUCTION
MANUAL

SUMMIT

FF71

COMPACT REFRIGERATOR-FREEZER



Write Serial Number here:

FELIX STORCH, INC.
770 Garrison Avenue
Bronx, New York 10474
www.summitappliance.com

IMPORTANT SAFEGUARDS

Your safety and the safety of others are very important to us. We have provided several important safety messages in this manual. Always read and obey all safety messages. Serious injury or even death can result if you do not follow these instructions. All safety messages will tell you what the potential hazard is, how to reduce the chance of injury, and what can happen if the instructions are not followed.

WARNING! To reduce the risk of fire, electric shock or injury when using your appliance, follow these basic precautions:

- Use two or more people to move and install this appliance.
- Plug into a grounded 3-prong outlet.
- Do not remove ground prong, nor use a 3/2 adapter.
- Do not use an extension cord.
- This appliance is designed for free-standing installation only. It should not be recessed or built in.
- Use care not to plug into outlets controlled by wall switches.
- Disconnect power before servicing.
- After service, replace all parts and panels before operating.
- Do not store or use gasoline or other flammable items in the area of this or any appliance, as the fumes can create a fire hazard or explosion.
- Use nonflammable cleaners.
- When replacing a light bulb, unplug the appliance or turn off power at the circuit breaker or fuse box in order to avoid touching a live wire. Turning the thermostat to **OFF** turns off the compressor, but does not disconnect power to other electrical components.
- Never unplug your appliance by pulling on the power cord. Always grip the plug firmly and pull straight out from the socket.
- Be careful not to roll over or damage the cord when moving the appliance.
- Do not pinch, knot or bend the power cord in any manner.

- Replace or repair any electric service cord that has become damaged or frayed.
- Unplug the appliance before making repairs or cleaning. We recommend that servicing be done by a qualified technician.

If your electricity goes off, follow this procedure:

- Call your power company to see how long the power will be out.
- If service is to be interrupted for less than 24 hours, keep the appliance closed as much as possible. This will help keep food from spoiling.
- If service is to be interrupted for more than 24 hours, remove food and store in a refrigerated food locker or other refrigerator.

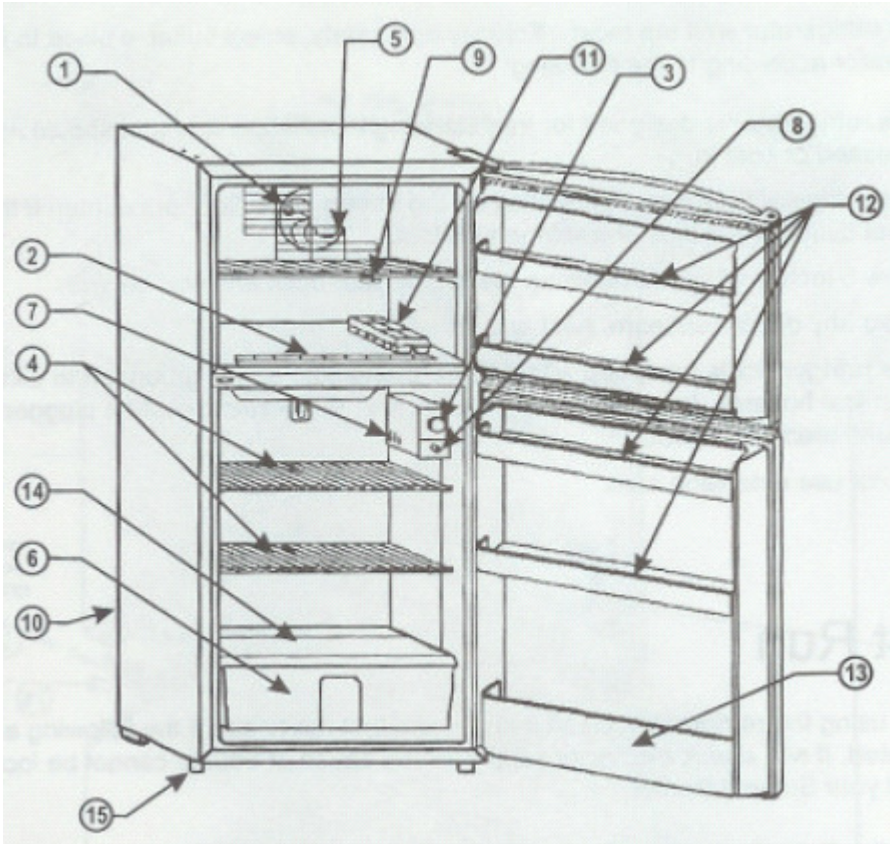
RISK OF CHILD ENTRAPMENT !

Old appliances can represent a suffocation hazard to children.

- *Remove door(s) from your old appliance.*
- *Leave shelves or baskets in place.*
- *If an old appliance contains refrigerants, it must be recycled by a licensed service or disposal agency.*

- SAVE THESE INSTRUCTIONS -

LOCATION OF PARTS



- | | |
|--|--|
| <ol style="list-style-type: none"> 1. Discharge air outlet 2. Suction inlet 3. Temperature control 4. Plastic-coated shelves 5. Freezer shelf 6. Vegetable crisper 7. Interior light 8. Light switch 9. Freezer temperature control 10. Evaporating tray (not shown) 11. Ice cube tray 12. Upper door rack 13. Bottom door rack 14. Glass shelf 15. Adjustable legs | <p>Since cold air flows through this outlet into the refrigerator, be sure to avoid blocking it with stored food.</p> <p>Air which was circulated throughout the refrigerator is sucked through this opening.</p> <p>Regulates temperature inside the refrigerator. Odor resistant, rustproof</p> <p>Water evaporation takes place outside the unit.</p> <p>Use these to stabilize the refrigerator.</p> |
|--|--|

INSTALLATION

Before Using Your Refrigerator-Freezer

- Remove the exterior and interior packing.
- Check to be sure refrigerator and freezer shelves are installed and that the strips of tape holding them in place have been removed.
- Before connecting the unit to the power source, let it stand upright for at least ½ hour. This will reduce the possibility of a malfunction in the cooling system from handling during transportation.
- Clean the interior surfaces with lukewarm water using a soft cloth. Any plastic odor that you notice when you first open the doors will dissipate once the appliance is operating.

Installation of Your Appliance

- This appliance is designed to be free-standing only, and should not be recessed or built-in.
- Place your appliance on a floor that is strong enough to support it when it is fully loaded. Be sure the appliance is level. (Level your refrigerator-freezer by adjusting the legs at the front.)
- Allow at least 5 inches of space between the back of the unit and the wall behind, which allows the proper air circulation to cool the compressor. This improves cooling efficiency and saves energy.
- Do not cover the top of the unit with a mat or cloth. This will help maintain the operating efficiency of the appliance.
- Locate the refrigerator away from direct sunlight and sources of heat (stove, heater, radiator, etc.). Direct sunlight may affect the acrylic coating and heat sources may increase electrical consumption. Extremely cold ambient temperatures may also cause the refrigerator to perform improperly.
- Avoid locating the refrigerator in moist areas.
- This refrigerator-freezer is equipped with a three-prong plug and is grounded to eliminate electrical hazards. In order to make it effective, the unit must be plugged into a grounded electrical outlet.
- Do not use an extension cord.

Test Run

Before using the refrigerator-freezer, clean it and make a test run to see if the following steps can be completed. If not, check the electrical supply. If the cause of trouble cannot be located, contact your Summit dealer.

1. Set the Temperature Control Knob to the OFF position and then plug the AC cord into an electrical outlet of 115 volts, 60 Hz. The motor should run.
2. Set the Temperature Control Knob at the MAX position and let the unit operate for 20 minutes. The freezer compartment should get slightly frosted and the motor should run smoothly with a soft hum.
3. Then rotate the Temperature Control Knob counterclockwise toward the MIN position. Before the pointer of the knob reaches the MIN position, the motor should turn off.

ATTENTION

This appliance is equipped with a special Thermostat Control Device. If the unit is turned off or unplugged, **YOU MUST ALLOW THREE (3) MINUTES BEFORE RESTARTING OR REPLUGGING THE UNIT.**

The unit will not start if you attempt to restart it in less than three minutes.

Reversing the Door Swing

The doors of the refrigerator-freezer can be hinged on either side so that the door swing can be suited to the location of the installation.

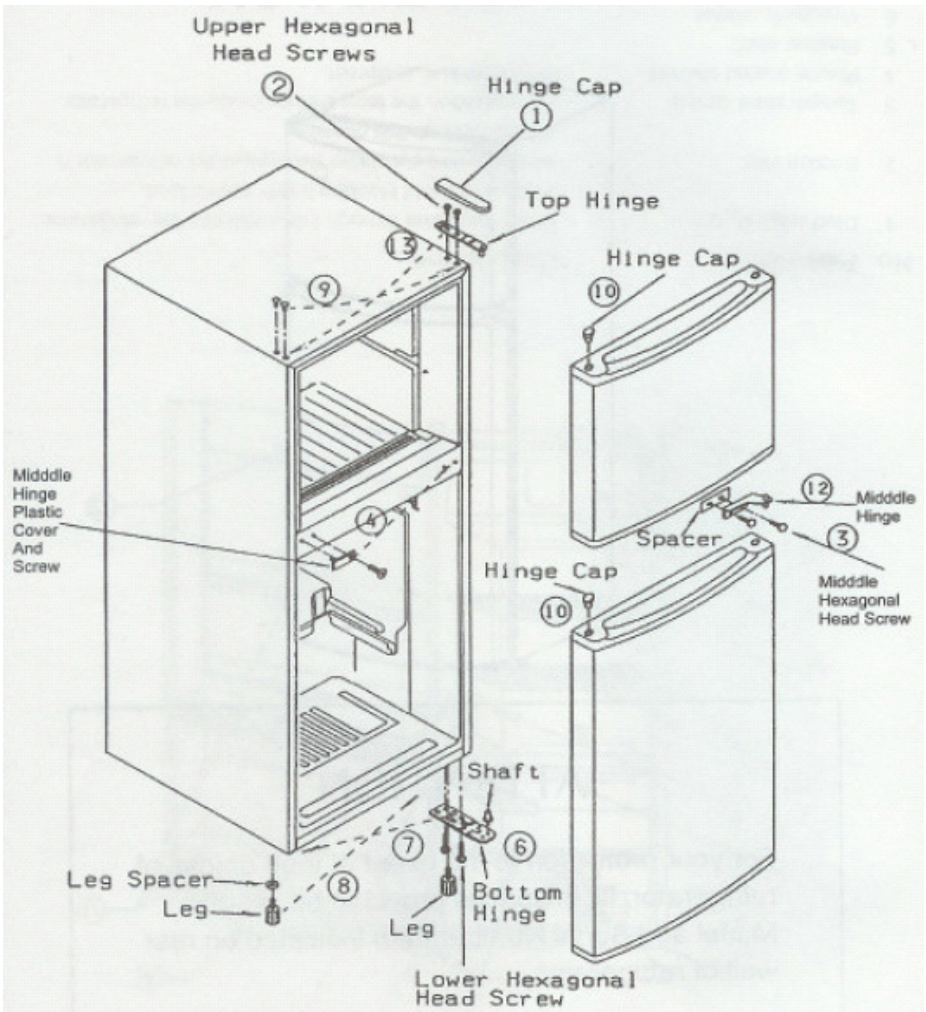
Tools Required:

- standard screwdriver
- large Phillips head screwdriver
- socket wrench (3/8")

In order to reverse the position of the door hinges, refer to the disassembly diagram on the following page and follow this procedure.

1. Remove the hinge cap by twisting it off.
2. Remove the upper hexagonal-head screws. The top hinge and the freezer door can now be removed.
3. Remove the middle hexagonal screws. The middle hinge and the refrigerator door can now be removed.

4. Remove the cover for the middle hinge holes and re-attach it symmetrically to the holes on the other side.



5. Tilt the refrigerator back or lay it on its back for steps 6, 7 and 8. Use a pad or blanket to protect the floor and to avoid scratching the painted finish.
6. Remove the leveling legs by turning them counterclockwise. Remove the lower hexagonal-head screws, two on the hinge side and one near the front corner of the other side.
7. Attach the bottom hinge symmetrically to the other side of the cabinet with the screws removed in Step 6. (Do not tighten screws completely.)

8. Attach the left side leg and the leg spacer to the other side hole which was positioned symmetrically.
9. Remove the upper hinge plastic pins and insert them in the holes from which the screws were removed in Step 2.
10. Take off the hinge collar caps from both the freezer and refrigerator doors using a screwdriver and insert them in the hinge collar on the opposite side.
11. Attach the shaft to the hinge bottom. Attach the refrigerator door to the shaft.
12. Rotate the middle hinge 180°. Attach it to the refrigerator door and secure it with screws. (Do not tighten screws completely.)
13. Attach the upper hinge to the freezer door. Attach the freezer door to the middle hinge and use the screws to attach the upper hinge. (Do not tighten screws completely.)
14. The direction in which the doors open has now been changed; however, the following points should be checked:
 - a. Make sure the doors are on straight.
 - b. Make sure there is no space between the door gaskets and the refrigerator and freezer units themselves when the doors are closed.
 - c. Make sure that the gasket on the hinge side is not caught between the door and the unit when the door is opened or closed. (If the door is forced closed when the gasket is caught, the gasket might be damaged.)
 - d. When checking the above points, if it is discovered that the doors are not installed properly (this is apt to happen on the first try), loosen the screws holding the upper hinge, straighten the door and tighten the screws slowly with the socket wrench. After making sure that the doors are installed correctly, tighten all the screws holding the hinge.
If they are not tightened, the doors may slip out of position or there may be an opening between the doors and the unit.
15. Stand the unit back in the upright position.

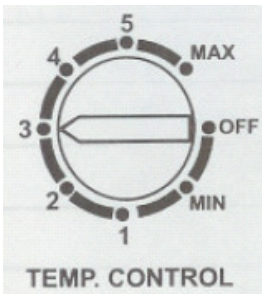
OPERATION

Temperature Control

Refrigerator temperature can be regulated by adjusting the Temperature Control Knob. The closer to the MAX position the control knob is set by rotating it clockwise, the lower becomes the refrigerator temperature.

Refrigerator temperature will vary depending on the quantity of the food stored and on the frequency with which the door is opened. Set the Temperature Control Knob at MAX position only when ice cubes are needed in a hurry.

This refrigerator may turn on and off more frequently than regular size refrigerators. This is normal because of its compactness.

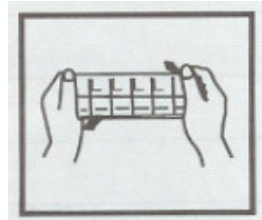


Usually the Temperature Control Knob should be set at middle position.

How to Remove Ice Cubes from the Tray

The ice cube tray is flexible. Twist the tray to remove ice cubes.

Do not use boiling water or a metal instrument such as a knife or screwdriver to remove the ice cube tray, because this may damage plastic parts or the evaporator.



CLEANING AND MAINTENANCE

Turn off the refrigerator and remove foods, shelves, trays, etc. Wash the interior liner with a solution of warm water and two tablespoonfuls of baking soda per quart. Then rinse and wipe. Do not use soaps, detergents, scouring powder, spray cleaners or the like on the liner, as these may cause odors in the refrigerator compartment.

Wash ice cube trays, drip trays and shelves in a mild detergent solution and dry with a soft cloth.

Wipe the exterior surface with a soft cloth dampened with soapy water and then dry with a soft cloth. A spray appliance cleaner may be used for the exterior only.

Use only lukewarm soapy water to clean the door gaskets.

Never use acids, chemical thinner, gasoline, benzene or the like for cleaning any part of the refrigerator. Boiling water and benzene may deform or damage plastic parts.

Vacation Time

- **Short vacations:** Leave the unit operating during vacations of less than three weeks.
- **Long vacations:** If the appliance will not be used for several months, remove all food and unplug the power cord. Clean and dry the interior thoroughly. To prevent odor and mold growth, leave the doors open slightly, blocking them open if necessary.

Moving Your Refrigerator

1. Remove all the food.
2. Securely tape down all loose items inside your refrigerator.
3. Tape the door shut.
4. Be sure the refrigerator stays secure in the upright position during transportation. Also protect the outside of the refrigerator with a blanket or similar item.

Energy-Saving Tips

- The appliance should be located in the coolest area of the room, away from heat-producing appliances and out of direct sunlight.
- Let hot foods cool to room temperature before placing in the refrigerator or freezer compartment. Overloading the refrigerator forces the compressor to run longer.
- Be sure to wrap foods properly, and wipe containers dry before placing them in the unit. This cuts down on frost build-up inside the refrigerator/freezer.
- To allow proper air circulation, keep a space between stored foodstuffs. To inhibit drying and to cut down on odors, be sure food is packed well.
- Refrigerator shelves should not be lined with aluminum foil, wax paper, or paper toweling. Liners interfere with cold air circulation, making the refrigerator less efficient.
- Organize and label food to reduce door openings and extended searches. Remove as many items as needed at one time, and close the door as soon as possible.

TROUBLESHOOTING

You can solve many common refrigerator problems easily, saving you the cost of a possible service call. Try the suggestions below to see if you can solve the problem before calling a service technician.

TROUBLESHOOTING GUIDE

Problem	Possible Cause
Appliance does not operate.	Not plugged in. The circuit breaker has tripped or fuse has blown. The Temperature Control Knob is turned off.
Turns on and off frequently.	The room temperature is warmer than normal. A large amount of food has been added to the refrigerator/freezer compartments. The doors are opened too often. The doors are not closed completely. The temperature control is not set correctly. The door gaskets do not seal properly. The appliance does not have the correct clearances.
Vibrations	Check to be sure that the unit is level.
The appliance seems to make too much noise.	The rattling noise may come from the flow of the refrigerant, which is normal. As each cycle ends, you may hear gurgling sounds caused by the flow of refrigerant in your refrigerator. Contraction and expansion of the inside walls may cause popping and crackling noises. The appliance is not level.
The doors will not close properly.	The appliance is not level. The door were reversed and not properly installed. The gaskets are dirty. The shelves are out of position.

If your appliance shows other symptoms than those described above, or if you have checked all items listed as the cause and the problem still exists, then call SUMMIT® Customer Service at

1-800-932-4267

LIMITED WARRANTY

ONE YEAR LIMITED WARRANTY

Within the 48 contiguous United States, for one year from the date of purchase, when this appliance is operated and maintained according to instructions attached to or furnished with the product, warrantor will pay for factory-specified parts and repair labor to correct defects in materials or workmanship. Service must be provided by a designated service company. Outside the 48 states, all parts are warranted for one year from manufacturing defects. Plastic parts, shelves and cabinets are warranted to be manufactured to commercially acceptable standards, and are not covered from damage during handling or breakage.

5 YEAR COMPRESSOR WARRANTY

1. The compressor is covered for 5 years.
2. Replacement does not include labor.

ITEMS WARRANTOR WILL NOT PAY FOR:

1. Service calls to correct the installation of your appliance, to instruct you how to use your appliance, to replace or repair fuses or to correct wiring or plumbing.
2. Service calls to repair or replace appliance light bulbs or broken shelves. Consumable parts (such as filters) are excluded from warranty coverage.
3. Damage resulting from accident, alteration, misuse, abuse, fire, flood, acts of God, improper installation, installation not in accordance with electrical or plumbing codes, or use of products not approved by warrantor.
4. Replacement parts or repair labor costs for units operated outside the United States.
5. Repairs to parts or systems resulting from unauthorized modifications made to the appliance.
6. Expenses for travel and transportation for product service in remote locations.
7. The removal and reinstallation of your appliance if it is installed in an inaccessible location or is not installed in accordance with published installation instructions.

DISCLAIMER OF IMPLIED WARRANTIES – LIMITATION OF REMEDIES

CUSTOMER'S SOLE AND EXCLUSIVE REMEDY UNDER THIS LIMITED WARRANTY SHALL BE PRODUCT REPAIR AS PROVIDED HEREIN. IMPLIED WARRANTIES, INCLUDING WARRANTIES OF MERCHANTABILITY OR FITNESS FOR A PARTICULAR PURPOSE, ARE LIMITED TO ONE YEAR. WARRANTOR SHALL NOT BE LIABLE FOR INCIDENTAL OR CONSEQUENTIAL DAMAGES. SOME STATES DO NOT ALLOW THE EXCLUSION OR LIMITATION OF INCIDENTAL OR CONSEQUENTIAL DAMAGES, OR LIMITATIONS ON THE DURATION OF IMPLIED WARRANTIES OF MERCHANTABILITY OR FITNESS, SO THESE EXCLUSIONS OR LIMITATIONS MAY NOT APPLY TO YOU. THIS WARRANTY GIVES YOU SPECIFIC LEGAL RIGHTS AND YOU MAY ALSO HAVE OTHER RIGHTS, WHICH VARY FROM STATE TO STATE.

FELIX STORCH, INC.
770 Garrison Avenue
Bronx, NY 10474
Phone: (718) 893-3900
Fax: (718) 842-3093
www.summitappliance.com

SUMMIT
For parts and accessory ordering,
troubleshooting and helpful hints, visit:
www.summitappliance.com/support