



Hampton Bay®

**52 in Ceiling Fan**  
**Click-In Fan System**  
**Brushed Nickel Finish**  
**5 Reversible Blades**  
**Halogen Spotlight Kit**

---

Ventilador de Techo 52 pulgadas  
Sistema de Ventilador Clic En  
Acabado Cepillado de Níquel  
5 Aspas Reversible  
Kit de 3 luces direccionales halogenas



# *Hampton Bay Lifetime Limited Warranty*

The retailer warrants the fan motor to be free from defects in workmanship and material present at time of shipment from the factory for a lifetime after the date of purchase by the original purchaser. The retailer also warrants that all other fan parts, excluding any glass or plexiglass blades, to be free from defects in workmanship and material at the time of shipment from the factory for a period of one year after the date of purchase by the original purchaser. We agree to correct such defects without charge or at our option replace with a comparable or superior model if the product is returned to the retailer. To obtain warranty service, you must present a copy of the receipt as proof of purchase. All costs of removing and reinstalling the product are your responsibility. Damage to any part such as by accident or misuse or improper installation or by affixing any accessories, is not covered by this warranty. Because of varying climatic conditions in the United States this warranty does not cover any changes in brass finish, including rusting, pitting, corroding, tarnishing or peeling. Brass finishes of this type give their longest useful life when protected from varying weather conditions. A certain amount of wobble is normal and should not be considered a defect. Servicing performed by unauthorized persons shall render the warranty invalid. **There is no other express warranty. The retailer hereby disclaims any and all warranties, including but not limited to those of merchantability and fitness for a particular purpose to the extent permitted by law.** The duration of any implied warranty which cannot be disclaimed is limited to the time period as specified in the express warranty. Some states do not allow limitation on how long an implied warranty lasts, so the above limitation may not apply to you. **The retailer shall not be liable for incidental, consequential, or special damages arising out of or in connection with product use or performance except as may otherwise be accorded by law.** Some states do not allow the exclusion of incidental or consequential damages, so the above exclusion or limitation may not apply to you. This warranty gives specific legal rights, and you may also have other rights which vary from state to state. This warranty supersedes all prior warranties.

Date purchased \_\_\_\_\_

Store Purchased \_\_\_\_\_

CSA Model No. \_\_\_\_\_

Serial No. \_\_\_\_\_

Vendor No. \_\_\_\_\_

UPC \_\_\_\_\_

## *Lifetime Limited Warranty*

	Section
Safety Rules .....	1
Unpacking Your Fan .....	2
Junction Box Mounting Options .....	3
Assemble The Fan And Prepare The Fan .....	4
Install The Receptacle: Wiring Option 1 (1 wall switch) .....	5A
Install The Receptacle: Wiring Option 2 (2 wall switches) .....	5B
Install The Receptacle: Wiring Option 3 (Add optional remote control) .....	5C
Install The Fan .....	6
To Remove The Fan .....	7
Attaching The Fan Blades .....	8
Installing The Light Kit .....	9
Installation Without Downrod - For Ceilings Lower Than 8 ft .....	10
Change Existing Downrod To Longer Downrod .....	11
Installation Information .....	12
Troubleshooting And Care Of Your Fan .....	13
Specifications .....	14

1. To reduce the risk of electric shock, ensure electricity has been turned off at the circuit breaker or fuse box before beginning.
2. All wiring must be in accordance with the National Electrical Code and local electrical codes. Electrical installation should be performed by a qualified licensed electrician.
3. **WARNING:** To reduce the risk of electrical shock and fire, do not use this fan with any solid-state fan speed control device.
4. **WARNING:** To reduce the risk of personal injury, use only the two steel screws (and lock washers) provided with the outlet box for mounting to the outlet box. Most outlet boxes commonly used for the support of lighting fixtures are not acceptable for fan support and may need to be replaced, consult a qualified electrician if in doubt.
7. Do not operate reversing switch while fan blades are in motion. Fan must be turned off and blades stopped before reversing blade direction.
8. Avoid placing objects in the path of the blades.
9. To avoid personal injury or damage to the fan and other items, be cautious when working around or cleaning the fan.
10. Do not use water or detergents when cleaning the fan or fan blades. A dry dust cloth or lightly dampened cloth will be suitable for most cleaning.
11. After marking electrical connections, spliced conductors should be turned upward and pushed carefully up into outlet box. The wires should be spread apart with the grounded conductor and the equipment-grounding conductor on one side of the outlet box.
12. Electrical diagrams are reference only. Light kits that are not packed with the fan must be UL Listed and marked suitable for use with the model fan you are installing. Switches must be UL General Use Switches. Refer to the Instructions packaged with the light kits and switches for proper assembly.

**WARNING:**

TO REDUCE THE RISK OF FIRE, ELECTRIC SHOCK OR PERSONAL INJURY, MOUNT FAN TO OUTLET BOX MARKED ACCEPTABLE FOR FAN SUPPORT.

5. The outlet box and support structure must be securely mounted and capable of reliably supporting a minimum of 35 pounds. Use only UL Listed outlet boxes marked FOR FAN SUPPORT.
6. The fan must be mounted with a minimum of 7 feet clearance from the trailing edge of the blades to the floor.

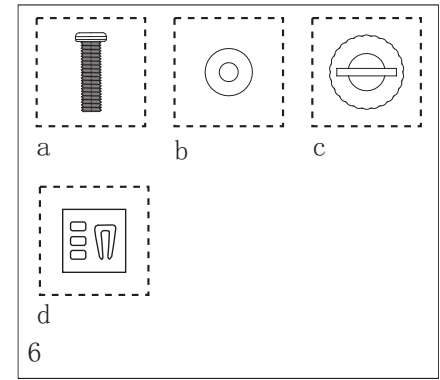
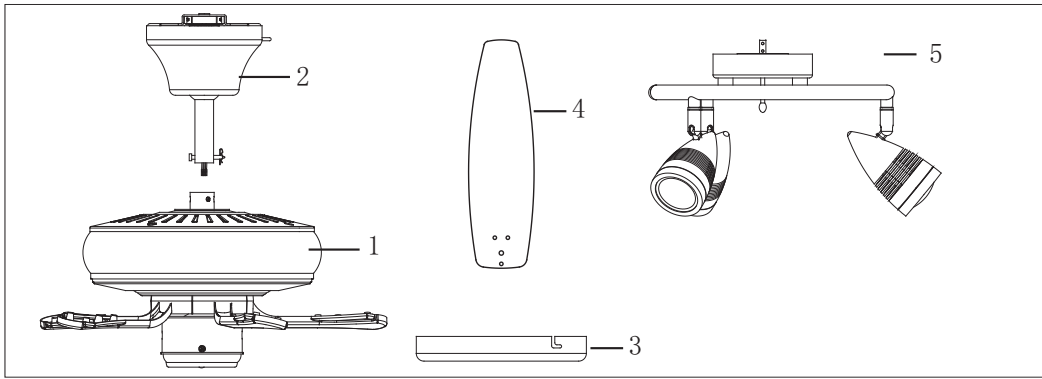
**WARNING:**

TO REDUCE THE RISK OF PERSONAL INJURY, DO NOT BEND THE BLADE BRACKETS (ALSO REFERRED TO AS FLANGES) DURING ASSEMBLY OR AFTER INSTALLATION. DO NOT INSERT OBJECTS IN THE PATH OF THE BLADES.

**NOTE:**

READ AND SAVE ALL INSTRUCTIONS!

# 1. Safety Rules



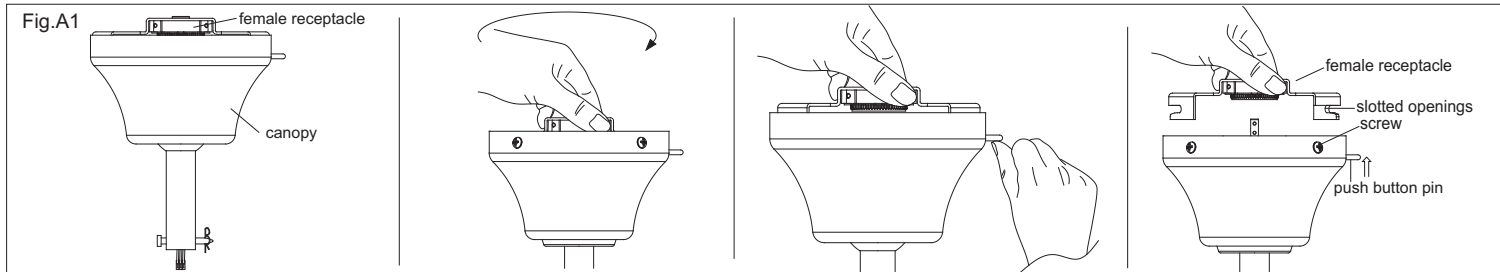
Unpack your fan and check the contents. You should have the following items:

- |                       |                    |              |
|-----------------------|--------------------|--------------|
| 1. Fan motor assembly | 3. Decorative ring | 5. Light kit |
| 2. Canopy assembly    | 4. Set of blades   |              |

6. Loose parts bag containing:

- a. 8/32 screw - 15.3 mm long (2 screws)
- b. ring hardware (4)
- c. Blade attachment (5)
- d. Blade balancing kit (1)

## FIRST REMOVE THE RECEPTACLE FROM THE CANOPY



Twist the receptacle bracket to the left so that the 4 screws are positioned out/away from the slotted openings on bracket. Press up on the push button pin, while keeping the button pushed up, pull the receptacle completely off the fan canopy. See Section 5 for Receptacle Installation and wiring options for the Receptacle.

# 2. Unpacking Your Fan

VIEW INSTRUCTIONAL VIDEO [www.safetyquicklight.com](http://www.safetyquicklight.com)

For Technical Support, Please Call 1-866-885-4649  
Monday - Friday 8 am - 6 pm EST.

## Tools Required

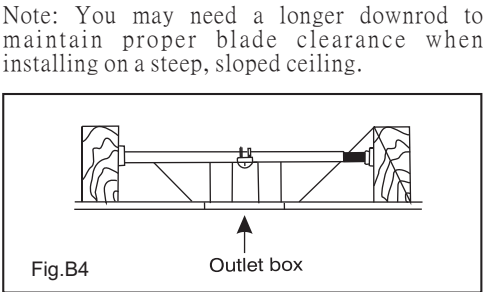
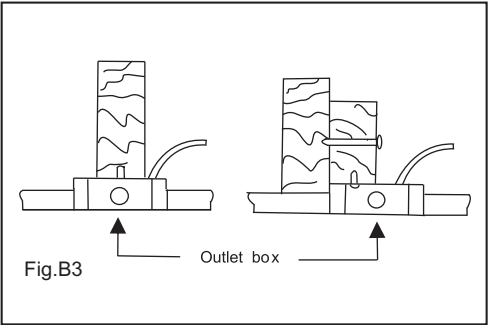
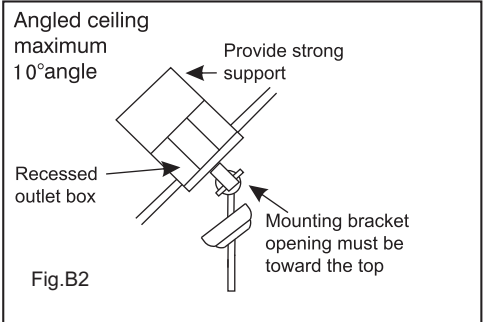
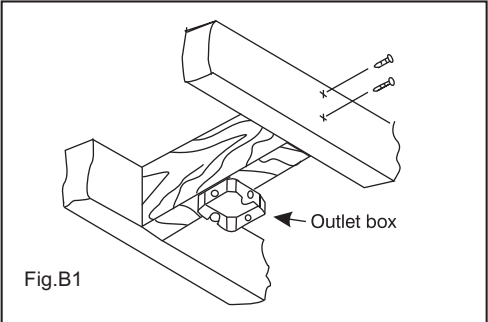
Phillips screwdriver, straight slot screwdriver, adjustable wrench, pliers, wire strippers, step ladder, and wire cutters.

## Mounting Options

If there isn't an existing UL listed mounting box, then read the following instructions. Disconnect the power by removing fuses or turning off circuit breakers.

Secure the outlet box directly to the building structure. Use appropriate fasteners and building materials. The outlet box and its support must be able to fully support the moving weight of the fan (at least 50 lbs). Do not use plastic outlet boxes.

Figure B1, B2, B3 and B4 are examples of different ways to mount the outlet box.



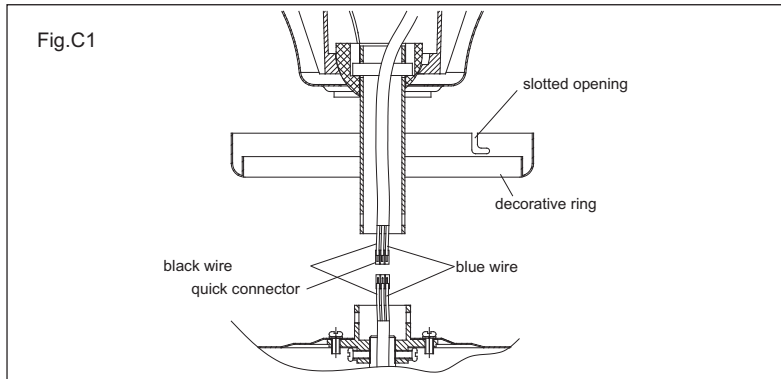
Note: You may need a longer downrod to maintain proper blade clearance when installing on a steep, sloped ceiling.

To hang your fan where there is an existing fixture but no ceiling joist, you may need an installation hanger bar as shown in Figure 4 (available at your Hampton Bay Retailer).

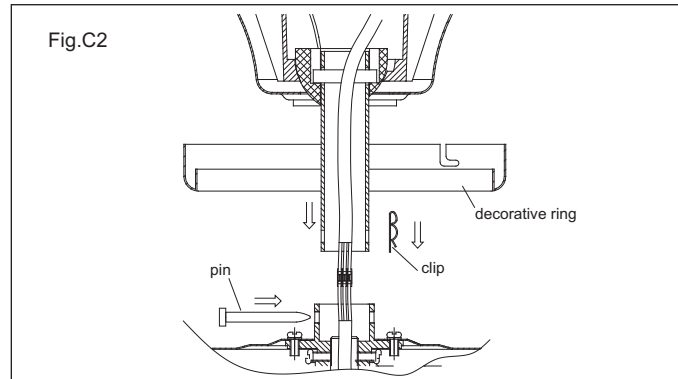
# 3. Junction Box Mounting Options

## Assemble the downrod to the motor housing

If you want to change the downrod—(1) add a longer downrod or (2) eliminate the downrod. See Section 10 and 11 for Assembly steps.



**Assemble the canopy to the Fan housing--**First, place the decorative ring through the downrod. Make sure slotted opening on ring is facing up towards ceiling. Connect the quick connector from downrod to quick connector from motor housing. Align black wire with black wire and blue wire with blue wire.

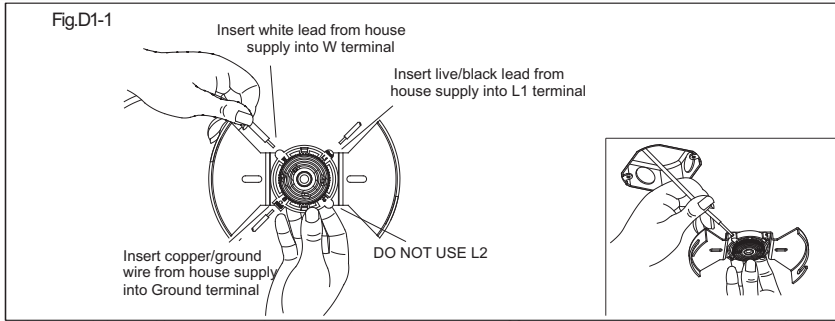


Slide downrod into motor collar, place pin through downrod and secure it with clip. Tighten screws.

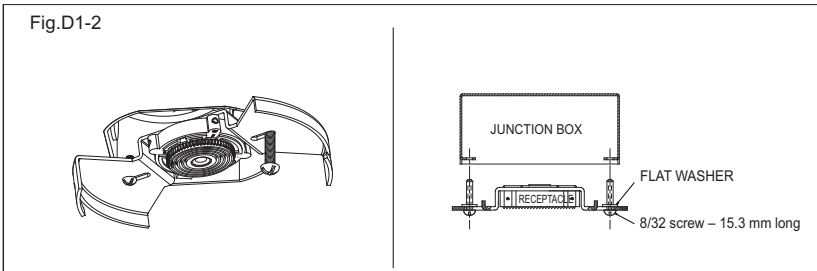
WARNING:  
DO NOT INSTALL OR USE FAN  
IF ANY PART IS DAMAGED OR MISSING.  
CALL TOLL FREE 866-885-4649  
Customer Service Hours  
Monday-Friday  
8:00 am - 6:00 pm EST

## 4. Assemble and Prepare The Fan

## Wiring Option1-(1 wall switch to operate both fan and light kit)



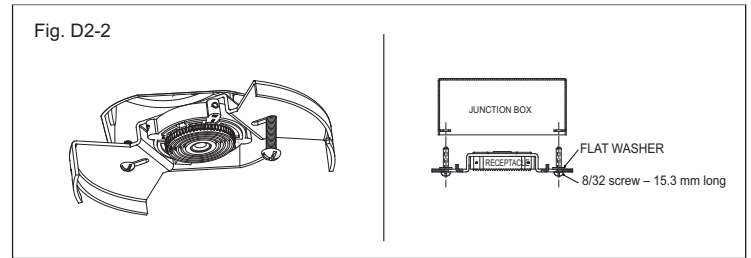
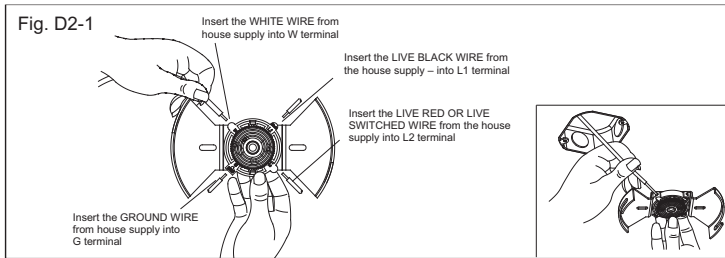
Wire and install receptacle to outlet box. Turn off power at the circuit breaker – Firmly insert wire from house supply into the receptacle contacts. Use 14 AWG solid copper wire - strip length 9/16". See wiring diagrams for multiple wire configurations. To remove the wire: twist (rotate)the wire counter-clockwise direction and the wire will come out.



Push wiring up into box and secure receptacle to outlet box. The receptacle should be mounted flush against the surface as shown. If your outlet box is flush with the surface or slightly recessed-place 2 flat washers on each side of receptacle as shown. Restore electrical power.

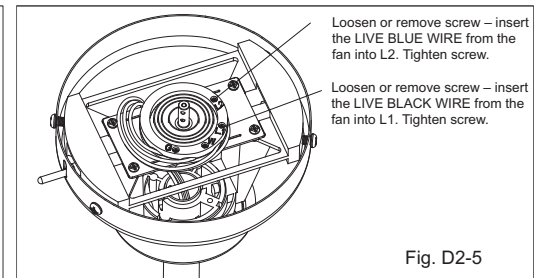
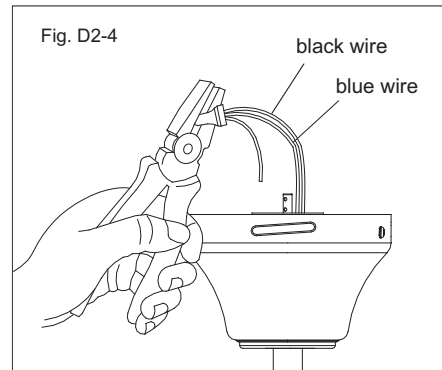
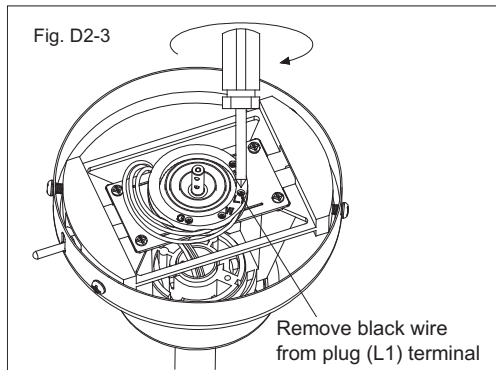
# 5A. Install the Receptacle Wiring Option 1

## Wiring Option 2--Installation using 2 wall switches--(1 switch to operate Fan & 1 switch to operate light kit)



WIRE AND INSTALL RECEPTACLE TO OUTLET BOX. TURN OFF POWER AT THE CIRCUIT BREAKER.--Fimly insert wire from house supply into the receptacle contacts. Use 14 AWG solid copper wire - strip length 9/16". See wiring diagrams for multiple wire configurations. TO REMOVE THE WIRE - twist (rotate) the wire counter - clockwise direction while pulling on wire and the wire will come out.

Push wiring up into box and secure receptacle to outlet box. The receptacle should be mounted flush against the surface as shown. If your outlet box is flush with the surface or slightly recessed-place 2 flat washers on each side of receptacle as shown. Restore electrical power.



Detach the black wire from the male plug as shown. Using a philips head screw driver, loosen and remove the wire and the screw. Do not lose the screw.

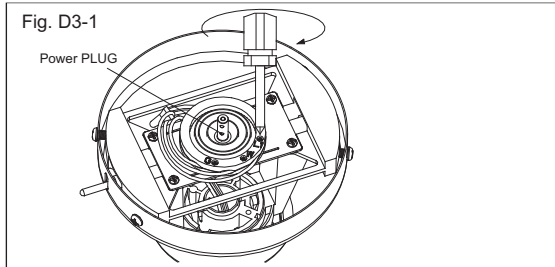
Remove the wire nut which is securing the blue and black wire together and separate the black and the blue lead.

Insert the blue wire into the L2 and insert the black wire into the L1. Make sure the wiring is securely tucked below the bracket and is not in the way of the power plug when installing the fan.

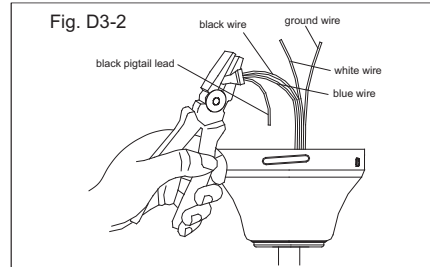
## 5B. Install The Receptacle: Wiring Option 2 (2 Wall Switches)

## Wiring Option 3--(Add Remote Control). Remote Control will Operate Fan and Light Separately)

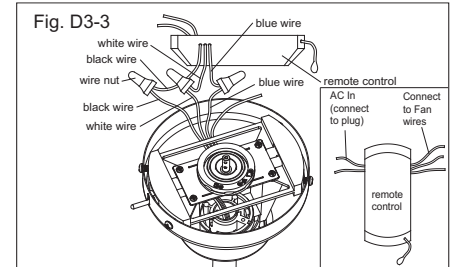
### STEP 1 INSTALL THE REMOTE CONTROL INTO THE FAN BRACKET



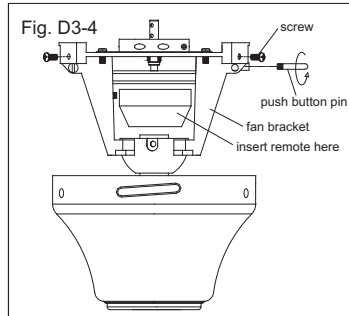
Detach the fan wiring from the plug. Remove the black wire from the **L1** connector. Remove the white wire from the **W** connector. Remove the ground wire from the **G** connector. Using a small flat head screwdriver, loosen and remove the screw (put the screw aside). Pull the wires out from the plug.



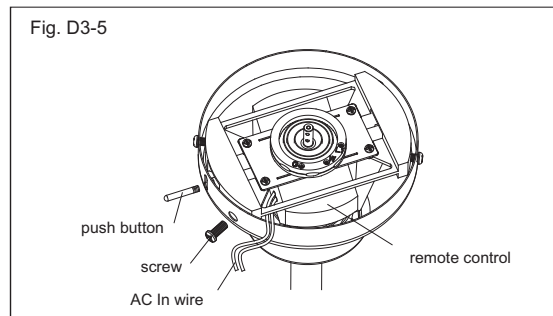
Remove the wire nut that is securing the blue and black wire together and separate the black and blue leads so that you have 4 separate wires from the fan--white, black, blue and ground. Discard the black pigtail lead.



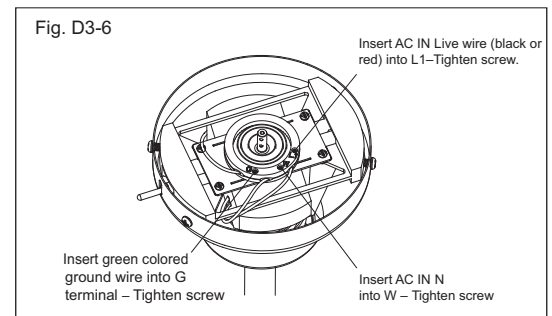
Connect the black wire from remote receiver to the black wire from the fan housing. Connect the blue wires from the fan to the blue wires of the remote receiver and connect the white wire from the fan to the white wire of the remote receiver.



Remove detachable pin and the 4 screws from the canopy. (keep the 4 screws) Lift up the fan bracket and slide the remote control body into the center of the fan bracket.



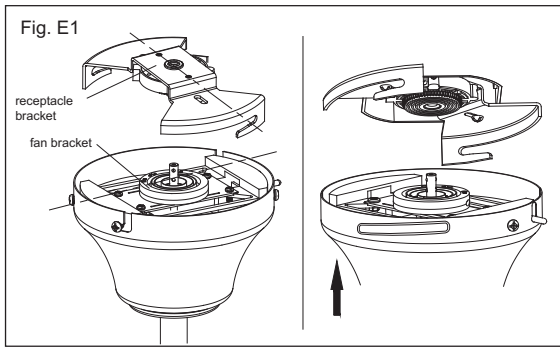
Place the remote control body in the fan bracket and tuck the 3 connected fan/remote wires under the bracket too. Re-install the push button and the 4 screws (IMPORTANT: Do not fully tighten these screws by 2 rotations). The 2 AC In wires of the remote receiver will be connected to the power plug. (See D3-6)



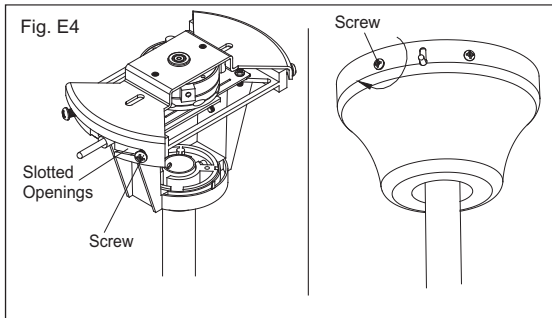
Make wire connection to male plug - wire strip length=3/16". Only jacketed cord should be visible - **no exposed wire strands**. Tighten screw. Make sure wires are secured to wire bracket and tucked out of the way of the plug.

### STEP 2: WIRE AND INSTALL THE RECEPTACLE TO THE OUTLET BOX-(See Wiring Option 1)

### 5C. Install The Receptacle: Wiring Option 3 (Add optional remote control)

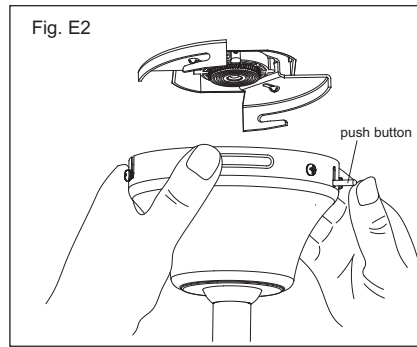


Hold Canopy and position fan up towards ceiling. Line up the canopy so that the MALE PLUG BRACKET is PLACED in a "X" or cross formation as shown in the picture. **IMPORTANT: The FAN BRACKET on the canopy and the RECEPTACLE BRACKET on the ceiling must be in a X formation.**

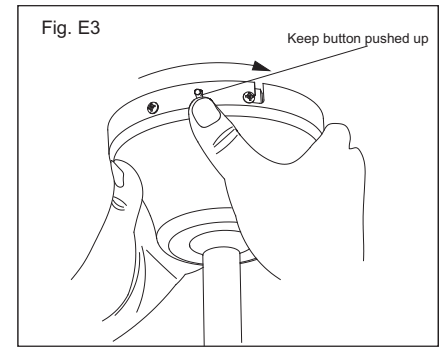


Once the slotted openings on the receptacle bracket are seated into the 4 screws on the canopy, the fan is locked into place. **SECURE / TIGHTEN ALL 4 SCREWS AFTER THE FAN IS LOCKED INTO PLACE.**

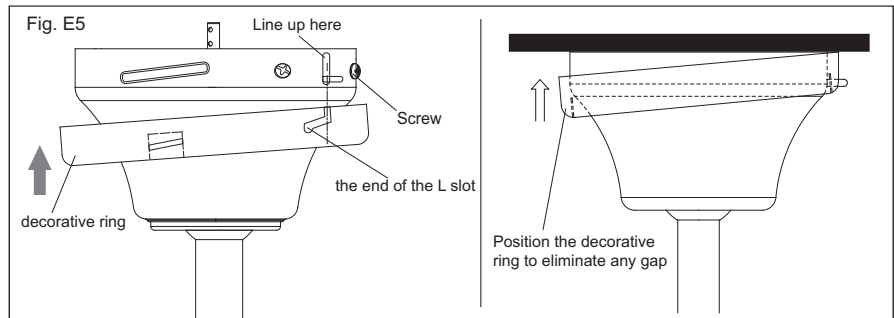
## 6. Install The Fan



To click in your Fan, press up on the push button pin while fully inserting the plug into the receptacle. **Keep button pressed up until fan is clicked into the receptacle.**

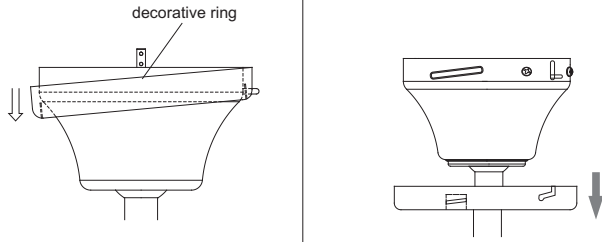


Make sure fan is flush with ceiling and plug is fully inserted into receptacle. **While keeping the button pressed up, turn the canopy to the right to lock into place. Let go of the push button pin.**



Secure the decorative ring into place - Line up the push button pin with the "L" shaped opening on the ring. Turn ring to the right, let the push button pin seat into the "L" shaped slot. Push the decorative ring up into place up towards the ceiling. Make sure ring does not interfere with push button. Make sure the downrod hanger ball is seated into fan canopy bracket allowing the ball to move freely.

Fig. F1



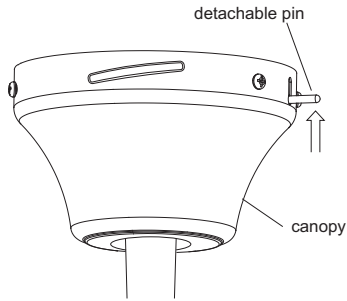
First, drop down the ring on one side and then slide the decorative ring down the canopy.

Fig. F2



Loosen all screws (2 rotations) – do not fully remove screws. Turn the canopy to the left.

Fig. F3

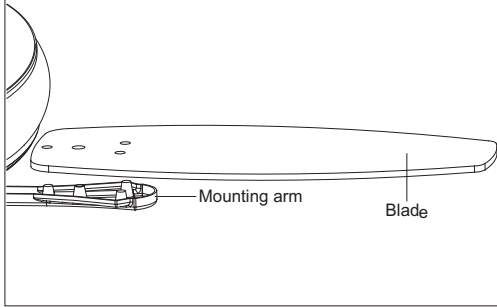


Hold the canopy and push up on the detachable pin to remove the fan. Be careful NOT to let go of fan.

**WARNING:**  
ONCE THE DETACHABLE PIN IS PRESSED UP,  
THE FAN WILL BE RELEASED AND CAN FALL  
FROM THE CEILING. HOLD THE FAN SECURELY  
WHILE PRESSING THE DETACHABLE PIN.

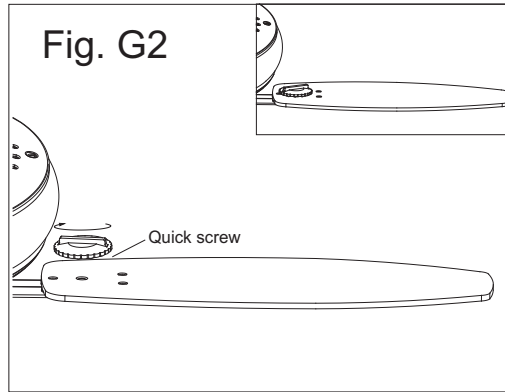
## 7. To Remove The Fan

Fig. G1



Attach the fan blade to the mounting arm--lining it up with the pegs on the mounting arm.

Fig. G2



Securely tighten the blade to the mounting arm using the quick screw.

**WARNING:**  
TO REDUCE THE RISK OF PERSONAL INJURY, DO NOT BEND THE BLADE HOLDERS WHILE INSTALLING, BALANCING THE BLADES, OR CLEANING THE FAN. DO NOT INSERT FOREIGN OBJECTS BETWEEN ROTATING FAN BLADES.

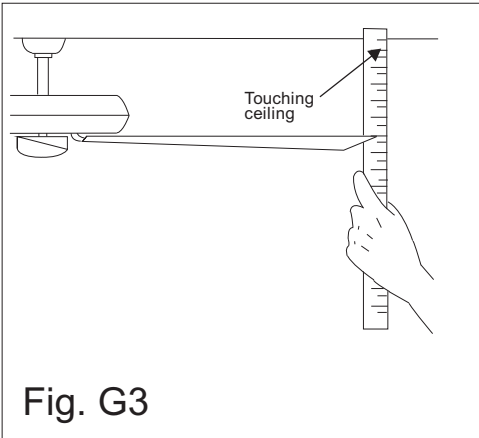
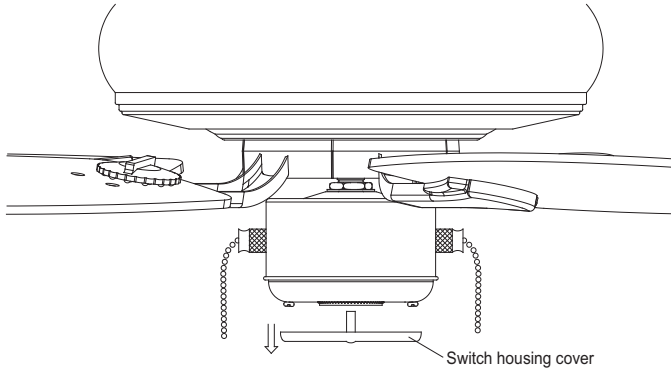


Fig. G3

1. Check that all blades and blade bracket screws are secure. If all blade levels are not equal, you can adjust the blade level with the following procedure. The following procedure should correct most fan wobble. Check after each step.
2. Most fan wobble problems are caused when blade levels are unequal. Check this level by selecting a point on the ceiling above the tip of one of the blades. Measure this distance as shown in Fig. G3. Rotate the fan until the next blade is positioned for measurement. Repeat for each blade. The distance should be equal within 1/8".
3. If the blade wobble is still noticeable, interchanging two adjacent (side by side) blades can redistribute the weight and possibly result in smoother operation.
4. Make sure the downrod hanger ball is seated into the notch on fan bracket allowing the ball move freely in the canopy.
5. If slight wobble still noticeable, use Balancing kit following enclosed instructions.

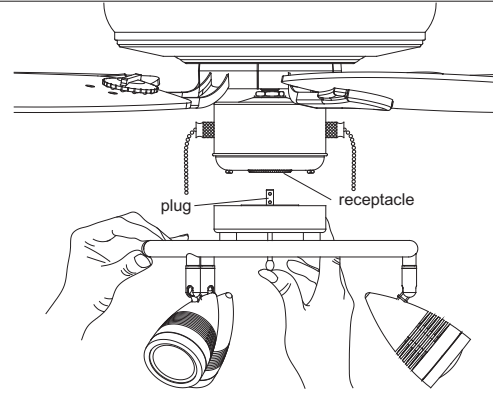
## 8. Attaching The Fan Blades

Fig. H1



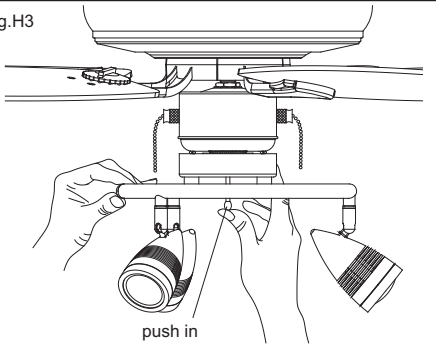
Remove the switch housing cover plate by pulling down, no tools needed. This will expose the female receptacle for the light kit.

Fig. H2



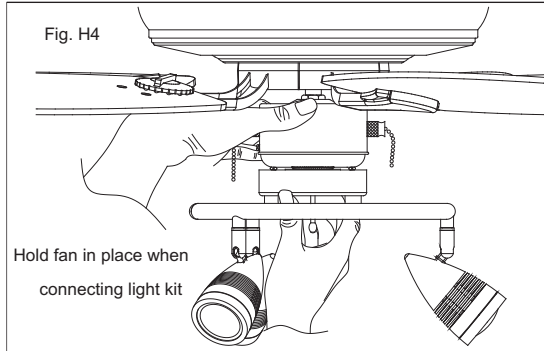
Line up the Light Kit plug with the Receptacle in fan housing.

Fig.H3



Keep the push button pressed while inserting plug into the receptacle.

Fig. H4



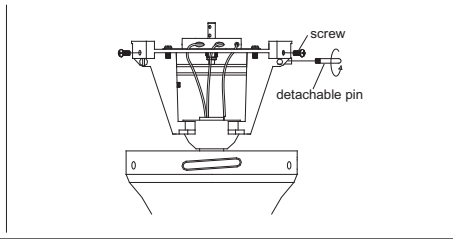
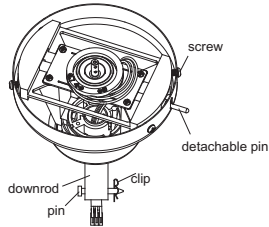
Let go of the button -place one hand on light kit and one hand on fan while pushing up. Push upwards on the canopy of the light kit to the fan. Listen for the click.

NOTE: If light kit does not illuminate, repeat steps shown in Figures H3 and H4. Ensure push button is pressed while inserting male plug into the receptacle.

## 9. Installing The Light Kit

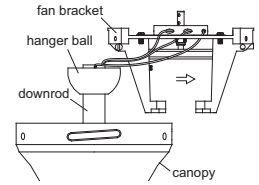
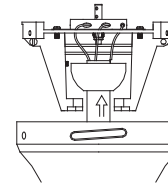
## (First Review Section 2/ Figure A1 to remove receptacle from the canopy.)

Fig. J1



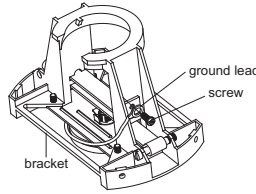
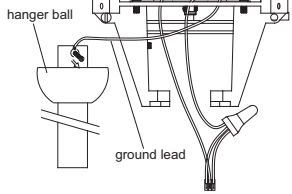
Remove detachable pin from side of canopy. Remove the 4 screws from side of canopy and fully remove fan bracket, hanger ball and downrod from canopy. (Keep the 4 canopy screws.) Remove the clip and pin from downrod.

Fig. J2



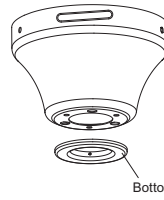
Remove the hanger ball and downrod from the bracket allowing the wires to pass through the downrod.

Fig. J3



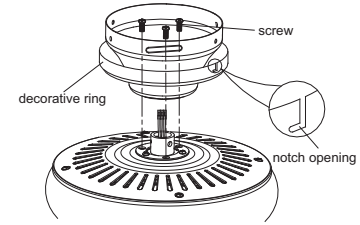
Remove the ground lead from the hanger ball and remove the screw from bracket. Attach and secure the ground lead onto the fan bracket as shown in the drawing.

Fig. J4



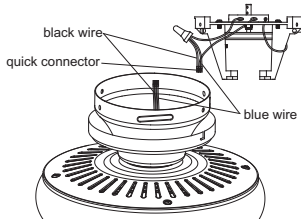
Remove the bottom cover from the canopy. Cover pulls off.

Fig. J5



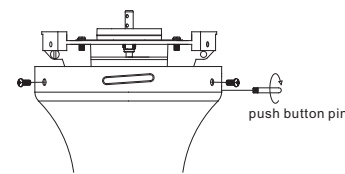
Attach the canopy to the fan housing - First place the decorative ring on the canopy. Make sure the notched opening in decorative ring is facing up towards ceiling. Secure the canopy to the motor housing using 3 screws as shown.

Fig. J6



Reattach the quick connect wire connector. Connect the quick connector from the downrod to quick connector from motor housing. Align black wire with black wire and blue wire with blue wire.

Fig. J7

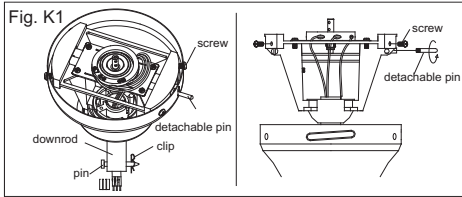


Reinstall the fan bracket back into the canopy. Make sure the wires are connected. Attach the fan bracket to the canopy and into bracket. Make sure the 4 screws are re-installed but do not fully tighten by 2 rotations. Reattach push button pin.

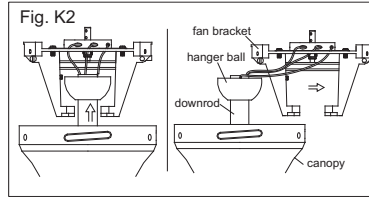
# 10. Installation Without Downrod

**Proceed to Section 6 –  
INSTALL THE FAN**

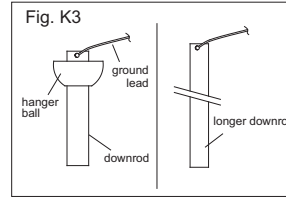
## (First Review Section 2/Fig.A1 to remove the receptacle from the canopy)



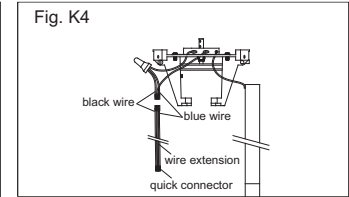
Remove detachable pin from side of canopy. Remove the 4 screws from side of canopy and fully remove fan bracket, hanger ball and downrod from canopy. (Keep the 4 screws). Remove the clip and pin from the downrod.



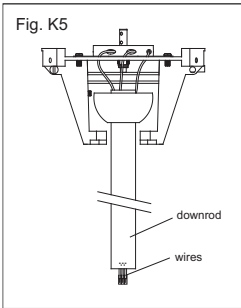
Remove the hanger ball and downrod from the bracket allowing the wires to pass through the downrod.



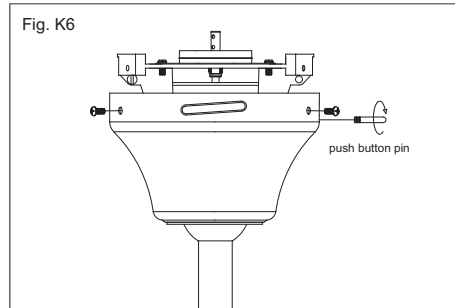
Detach the hanger ball and ground lead from the downrod and install the ground lead on the new longer downrod.



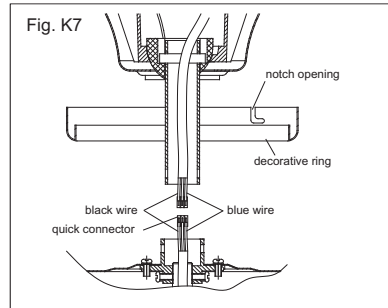
Connect the fan bracket wires to a wire extender kit -- Attach the wires from the Fan Bracket and plug to one end of the wire extender kit align black wire with black blue wire with blue wire.



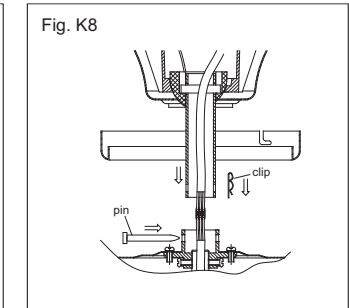
Insert the connected wires into the downrod and attach the hanger ball onto the downrod. Place the longer downrod and hanger ball onto the fan bracket in place. The wires should be long enough to pass through the downrod and come out the bottom.



Place the canopy up through the downrod and hanger ball positioning canopy up towards the fan bracket. Re-attach the fan bracket back onto the canopy using the 4 screws (that you removed in step K1). Secure the 4 screws onto the canopy and fan bracket. Make sure the 4 screws are re-installed but not fully tightened by 2 rotations. They should not be fully tightened. Re-attach the push button pin.



Assemble and Attach the downrod with canopy to the Fan housing – First, place the decorative ring through the downrod and up to the canopy. Make sure the notched opening in decorative ring is facing up towards ceiling. Attach connector from bracket to quick connector from the motor housing and align black wire with black wire, blue wire with blue wire.

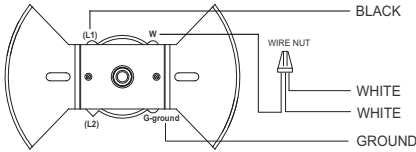
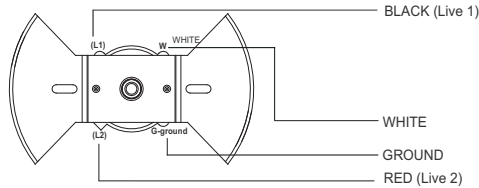
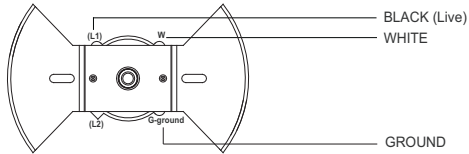


Slide downrod into motor collar, place pin through downrod and secure it with clip. Tighten screws.

**Proceed to Section 6 –  
INSTALL THE FAN**

## 11. Change Existing Downrod To Longer Downrod

## WIRING DIAGRAMS



WHEN MULTIPLE WIRES ARE CONNECTED TOGETHER, USE A SOLID WIRE -14 AWG JUMPER LEAD TO INSERT INTO THE RECEPTACLE TERMINAL

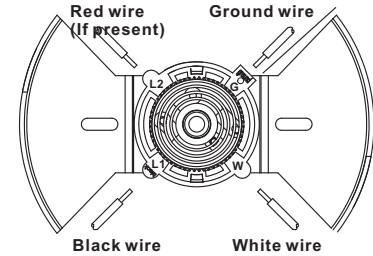
## TROUBLESHOOTING POINTS:

### 1. NOT GETTING ELECTRICAL CONNECTION

First, make sure the electrical connections to the receptacle are correct and your house supply wires are fully inserted into contact. Firmly push in wires - you can pull on the wire to make sure the wire is correctly installed.

If your ceiling fan is not working or you do not hear the click, the male plug on the fan bracket may not be fully inserted and locked into place with the receptacle and may not be making the electrical connection.

The lower set of ball bearings on the plug must be locked in place in order to receive the electrical connection.



### 2. CANNOT REMOVE THE WIRE

The wire will come right out of the terminal if you rotate (turn) the wire towards you approx. 3 - 5 rotations. The wire can hold greater than a 20 lb. pull, so the wire will not release from the terminal using a direct pull. The wire must be rotated in order to release.

## IMPORTANT SAFETY INFORMATION:

**CAUTION:** Before beginning installation, disconnect power by turning off the circuit breaker or by removing the fuse at the fuse box.

**NOTE:** Please consult a qualified electrician if you are not certain of installation.

1. Caution: Make certain that your pre-existing outlet box is compliant with national and local codes. If you are not sure contact a qualified electrician.
2. The female receptacle requires installation to the branch circuit (solid 14 AWG wire) and should be installed by a qualified person or electrician.
3. A UL Listed cover plate is available to cover up the receptacle when the ceiling fan is not installed.
4. The ceiling fan may be unplugged and removed for maintenance, cleaning, etc.
5. Fast Attach Device Specifications: Suitable for luminaires (50 lbs) and ceiling fans (35 lbs). Certified and tested with a 200 lb. load. Suitable for Indoor/Outdoor use. Rated for 120V, 5A.

# 12. Installation Information

## Troubleshooting And Care Of Your Fan

**IMPORTANT: make sure the power is off at the electrical panel box before you attempt any repairs.**

Problem	Solution
Fan will not start:	<ol style="list-style-type: none"><li>1. Check circuit breakers or fuses.</li><li>2. Check line wire connections to the fan and switch wire connections in the switch housing. CAUTION: Make sure main power is off.</li></ol>
Fan sounds noisy:	<ol style="list-style-type: none"><li>1. Make sure all motor housing screws are snug.</li><li>2. Make sure the screws that attach the fan blade bracket to the motor hub are tight.</li><li>3. Make sure wire nut connections are not rubbing against each other or the interior wall of the switch housing. CAUTION: Make sure main power is off.</li><li>4. Allow a 24-hour "breaking-in" period. Most noise associated with a new fan will disappear during this time.</li><li>5. If using an optional light kit, make sure the screws securing the glassware are tight. Check that light bulbs are also secure.</li><li>6. Do not connect the fan with wall mounted variable speed control(s)</li></ol>

### Here are some suggestions to help you maintain your fan:

1. Because of the fan's natural movement, some connections may become loose. Check the support connections, brackets, and blade attachments twice a year. Make sure they are secure. (It is not necessary to remove fan from ceiling.)
2. Clean your fan periodically to help maintain its new appearance over the years. Use only a soft brush or lint-free cloth to avoid scratching the finish. The plating is sealed with a lacquer to minimize discoloration or tarnishing. Do not use water when cleaning. This could damage the motor, blades, or possibly cause an electrical shock.
3. You can apply a light coat of furniture polish to the wood blades for additional protection and enhanced beauty. Cover small scratches with a light application of shoe polish.
4. There is no need to oil your fan. The motor has permanently lubricated bearings.

# 13. Troubleshooting And Care Of Your Fan

FAN SIZE	SPEED	VOLTS	AMPS	WATTS	RPM	CFM	N.W.	G.W.	C.F.
52"	Low	120	0.23	12	68	1800	9 kgs	9.6 kgs	1.67
	Med	120	0.39	33	120	3500			
	High	120	0.52	62	170	5055			

These are approximate measures. They do not include Amps and Wattage used by the light kit.  
Customer Service Questions: 1-866-885-4649 - M-F 8:00 am - 6:00 pm EST

©2009 Hampton Bay Fan & Lighting Co.  
2455 Paces Ferry Road  
Atlanta, Georgia 30339  
All Right Reserved

## 14. Specifications