

EHOIST1100

ELECTRIC HOIST INSTRUCTION MANUAL



READ ALL INSTRUCTIONS AND WARNINGS BEFORE USING THIS PRODUCT.

This manual provides important information on proper operation & maintenance. Every effort has been made to ensure the accuracy of this manual. These instructions are not meant to cover every possible condition and situation that may occur. We reserve the right to change this product at any time without prior notice.

**IF THERE IS ANY QUESTION ABOUT A CONDITION BEING SAFE OR UNSAFE,
DO NOT OPERATE THIS PRODUCT!**

**Visit our website for Troubleshooting / Frequently Asked Questions
<http://buffalooutdoorsbrand.com>**

**DO NOT RETURN THIS GENERATOR TO THE
RETAILER!**

If you experience a problem, have questions or need parts for this product, call Customer Service at 1-888-287-6981, Monday-Friday, 8 AM - 4 PM Central Time. A copy of the sales receipt is required.

FOR CONSUMER USE ONLY – NOT FOR PROFESSIONAL USE.

KEEP THIS MANUAL, SALES RECEIPT & APPLICABLE WARRANTY FOR FUTURE REFERENCE.

EHOIST1100 Electric Hoist



FEATURES:

- Remote Control With 5' Cable
- High Carbon Steel Line

SPECIFICATIONS

Rated Current	8.5 AMP / 1000 Watts
Horsepower	1 1/3 HP
Rated Voltage	120V / 60 Hz
No-Load Speed	3,400 RPM
Cable Diameter	4.2mm (0.16")
Single Cable Lift Capability	550 lb., 33 Feet Per Minute
Single Cable Lifting Height	38 Feet
Double Cable Lift Capability	1100 lb., 16.5 Feet Per Minute
Double Cable Lifting Height	19 Feet



Intertek
4006091
PA500B

FOR CONSUMER USE ONLY – NOT FOR PROFESSIONAL USE

TABLE OF CONTENTS

RECOGNIZE SAFETY SYMBOLS, WORDS AND LABELS	4
SERVICE.....	6
SPECIFIC SAFETY RULES AND/OR SYMBOLS.....	7
PACKAGE CONTENTS	7
COMPONENTS.....	8
ASSEMBLY	8
MOUNTING THE HOIST.....	9
OPERATION	9
PARTS DIAGRAM	10
PARTS LIST	11
MAINTENANCE	12
ACCESSORIES	12

RECOGNIZE SAFETY SYMBOLS, WORDS AND LABELS

What You Need to Know About Safety Instructions

Warning and Important Safety Instructions appearing in this manual are not meant to cover all possible conditions and situations that may occur. Common sense, caution and care must be exercised when operating or cleaning tools and equipment.

Always contact your dealer, distributor, service agent or manufacturer about problems or conditions you do not understand.



This is the safety alert symbol. It is used to alert you to potential personal injury hazards. Obey all safety messages that follow this symbol to avoid possible injury or death.



DANGER indicates an imminently hazardous situation which, if not avoided, will result in death or serious injury.



WARNING indicates a potentially hazardous situation which, if not avoided, could result in death or serious injury.



CAUTION indicates a potentially hazardous situation which, if not avoided, may result in minor or moderate injury.



CAUTION used without the safety alert symbol indicates a potentially hazardous situation which, if not avoided, may result in property damage.



NOTE provides additional information that is useful for proper use and maintenance for this tool. If a NOTE is indicated make sure it is fully understood.

⚠ WARNING

Keep your work area clean and well lit. Cluttered work benches and dark work areas may cause accidents or injury.

Do not operate tools in explosive areas, such as in the presence of flammable liquids, gases or dust. Tools create sparks which may ignite the dust or fumes.

Keep bystanders, children and visitors away while operating the tool. Distractions can cause you to lose control.

⚠ WARNING

Double insulated tools are equipped with a polarized plug (one blade is wider than the other.) This plug will fit in a polarized outlet only one way. If the plug does not fit fully in the outlet, reverse the plug. If it still does not fit, contact a qualified electrician to install a polarized outlet. Do not change the plug in any way. Double insulation eliminates the need for the three wire grounded power cord and grounded power supply system.

Avoid body contact with grounded surfaces such as pipes, radiators, ranges and refrigerators. There is an increased risk of electric shock if your body is grounded.

Do not abuse the cord. Never use the cord to carry the tool or pull the plug from an outlet. Keep the cord away from heat, oil, sharp edges, or moving parts. Replace damaged cords immediately. Damaged cords increase the risk of electric shock.

When operating the tool outside, use an outdoor extension cord marked “WA” or “W.” These cords are rated for outdoor use and reduce the risk of electric shock. Make sure the extension cord being used is in good condition. If there are any cuts or nicks (no matter how deep) in the insulation, DO NOT use that cord. Also, make sure the extension cord is heavy enough to carry the current needed. DO NOT use small "around-the-house" lamp extension cords. These cords can easily overheat and/or catch fire when used with power tools.

⚠ CAUTION

Do not force tool. Use the correct tool for your application. The correct tool will do the job better and safer at the rate for which it is designed.

Do not use the tool if the power switch does not turn it “ON” or “OFF”. Any tool that cannot be controlled with the switch is dangerous and must be repaired.

Disconnect the power cord plug from the power source before making any adjustments, changing accessories or storing the tool. Such preventive safety measures reduce the risk of starting the tool accidentally.

Store idle tools out of reach of children and other untrained persons. Tools are dangerous in the hands of untrained users.

⚠ DANGER

People with pacemakers or other electronic devices should consult with a physician before operating this product. Interruption or failure of the pacemaker could occur when electrical equipment is operated within close proximity of electrical devices.

⚠ WARNING

Wash hands after handling the power cord. Touching the power cord could expose you to lead, which is known in the State of California to cause cancer, birth defects and other reproductive harm.

⚠ WARNING

All work areas should be clean and well lit. Accidents are more likely to occur in poorly lit and cluttered areas.

⚠ WARNING

Do not operate tools in the presence of flammable liquids, gas, or dust. Sparks created from the power tool could ignite flammable materials.

⚠ WARNING

Keep children, and other distractions at a distance while operating tools.

WARNING

Keep the power cord in good condition, and replace damaged cords immediately. Do not use the cord to pull the plug from the outlet. Keep the cord away from materials and surfaces that could damage cords. The risk of electric shock increases when the power cord is damaged.

WARNING

Always use the appropriate extension cord, making sure it is rated for use with power tools. Always be sure the extension cords are in good condition, free of cuts or nicks in the insulation. If using the power tool in an outside area with an extension cord, make sure the cord is rated for outdoor use.

WARNING

Do not make contact with a grounded surface while using this power tool. Contact with surfaces like pipes, radiators or major appliances increases your risk of electric shock.

WARNING

Use common sense while operating this power tool.

Do not use this tool if you are:

- Feeling tired or are under the influence of alcohol or drugs.
- Wearing loose clothing or jewelry. Keep long hair pulled back and away from moving parts.
- Overreaching or have improper footing. Handling the tool in this way could cause serious injury.

When using this power tool always:

- Wear the proper safety equipment, such as safety goggles, dust masks, non-skid shoes, etc.
- Check to be sure all adjusting keys or wrenches have been removed before starting the power tool.
- Check to be sure the power switch is in the "OFF" position before plugging the power tool into an electrical outlet.

CAUTION

Follow these steps to maintain safe working conditions and good working condition of tools. Improper care can result in electric shock or serious injury.

- **Use the correct tool for the job.** Using the correct tool is safer and faster.
- **Make sure the power switch is in good working order.** If the power switch no longer turns the tool "ON" or "OFF", discontinue use, and have the tool replaced or repaired.
- **Remove the power cord from the power source before storage, changing accessories, or moving the tool.**
- **Keep out of reach of children,** or any untrained person. Store tools in a safe and dry place.
- **Maintain tool with proper care will increase the life of the tool,** and reduce the risk of injury.
- **Check to be sure all moving parts are free from binding and are properly aligned.**
- Use only accessories that are recommended by the manufacturer for your tool model.

WARNING

Safety glasses and ear protection must be worn during operation.

SERVICE

Tool service must be performed only by qualified repair personnel. Service or maintenance by unqualified personnel could result in a risk of injury.

When servicing a tool, use only identical replacement parts. Follow instructions in the Maintenance section of this manual. Use of unauthorized parts or failure to follow Maintenance Instructions may create a risk of shock or injury.

SAVE THESE INSTRUCTIONS FOR FUTURE REFERENCE.

This manual contains important information regarding safety, operation, maintenance and storage of this product. Before use, read carefully and understand all warnings, cautions, instructions and labels. Failure to do so could result in serious personal injury, property damage or even death.

IMPORTANT SAFETY INSTRUCTIONS

WARNING

Before using you need to become familiar with the operation of the tool. If you are unsure about the operation of the tool, or have any questions about the proper use of the tool, call the Customer Service Department at 1-888-287-6981.

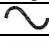



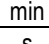
Follow these instructions for safe handling of the tool:

- Always secure and support the work piece using clamps. **Do not use your hands to hold the piece in place.**
- **Do not use solvents containing carbon tetrachloride, ammonia or acetone to clean the tool.** Never use gasoline, paint thinner, or other caustic chemicals that can damage the plastic parts of the tool.
- **Always use the appropriate safety gear when operating this tool.** Including but not limited, to goggles, dust mask or respirator. Always work in a well-ventilated area to reduce your exposure to harmful chemicals and dust particles.

SPECIFIC SAFETY RULES AND/OR SYMBOLS

SYMBOLS

The following symbols may be used on your tool. Be familiar with and learn the symbols to operate the tool safely.

Symbol	Name	Description
V	Volts	Voltage (Potential)
A	Amperes	Current
Hz	Hertz	Frequency (Cycles per Second)
W	Watt	Power
Kg	Kilograms	Weight
	Alternating Current	Type of Current
	Direct Current	Type of Current
	Alternating or Direct Current	Type of Current
	Earthing Terminal	Grounding Terminal
	Class II Construction	Denotes Double Insulation
min	Minutes	Time
s	Seconds	Time
ϕ	Diameter	Size of Drill Bits, Grinding Wheel Bits, etc.
n_0	No Load Speed	No-load Rotational Speed
.../min	Revolutions per Minute	Revolutions, Surface Speed, Strokes, etc per Minute
1,2,3...	Ring Selector Settings	Speed, Torque or Position Settings

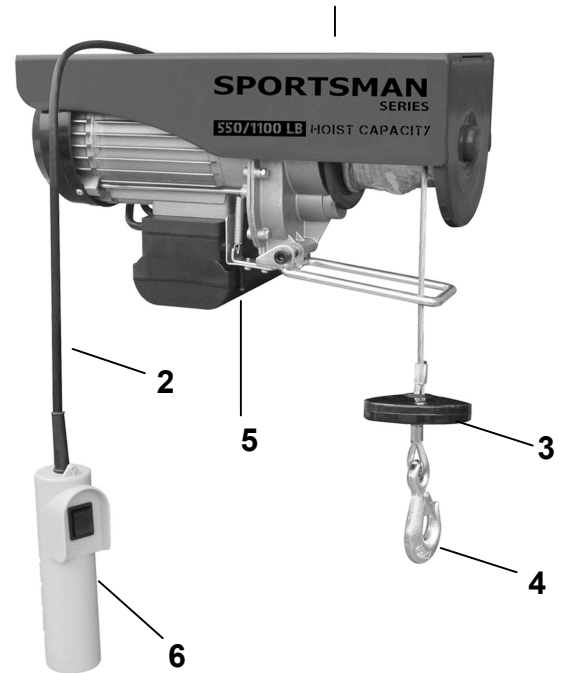
PACKAGE CONTENTS

- Electric Hoist
- Remote Switch
- 38' Wire Cable
- Sheaved Pulley Lift Hook
- Weighted Lift Hook
- Stabilizing Weight
- Built-In Cable Guide

COMPONENTS

Observe the locations and functions of the various components and controls of this hoist.

1. Mounting Bracket (not shown)
2. Cable
3. Weight
4. Lift Hook
5. Motor
6. Remote Control



ASSEMBLY

⚠ WARNING

Unplug the power plug from the AC power source before assembly, adjustments, or adding/removing accessories.

⚠ WARNING

Make sure the cable is in good condition. Do not use this hoist if the cable is frayed, kinked, or wrapped incorrectly on the reel. Replace only with a similar cable.

Be sure the plug and power cord are in good working order. Do not use this hoist if there is damage to the power cord. If the cord or remote control becomes damaged, replace before using this hoist.

Never stand beneath the load being lifted. When using this hoist, keep away from the cable. If the cable should break, the tension on it will cause it to whiplash and damage anything in its path. Keep hands, clothing, hair and jewelry clear when in operation.

Never attempt to exceed the pulling limits of this hoist. Always check the mount to assure it will hold the weight you are trying to lift.

MOUNTING THE HOIST

NOTE

Unpack product from package and review contents. Keep all packaging until product has been reviewed.

Mount the hoist to an overhead support using the mounting brackets and bolts provided in the package. (Figure 1)

This hoist can also be mounted on a variety of supports, from pivoting overhead pipes to fixed stanchions (not included). (Figures 2 & 3.)

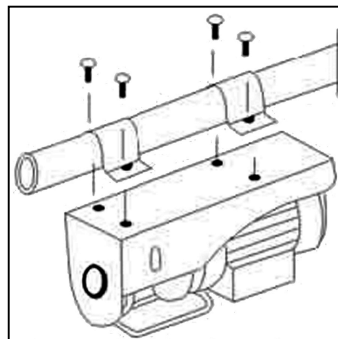


Figure 1
Mounting the hoist.

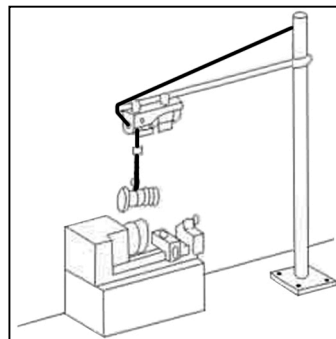


Figure 2
Pole mounted hoist.

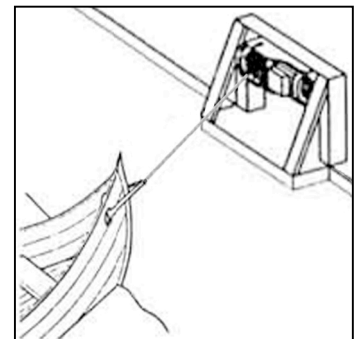


Figure 3
Stanchion-mounted hoist.

OPERATION

The reel on the hoist does not spin freely. To dispense cable, you must operate the power switch. To operate the power switch, press the top portion to reel in the cable and press the bottom portion to dispense cable.

To dispense cable, press the lower portion of the power switch while at the same time pulling on the lift hook. To prevent pulling the cable off the reel, leave at least three turns worth of cable on the reel.

Once there is sufficient length of cable dispensed, connect the Lift Hook securely to the load then press the top portion of the power switch to take up any slack in the cable. Never wrap the cable around an object and hook onto the cable itself, as this may damage both the object and more importantly, the cable.

Stand clear of the object and press the top portion of the power switch to raise the object as desired.

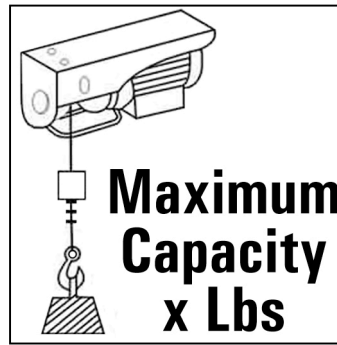


Figure 4
This configuration can lift loads of up to 550 lbs. using the lift hook.

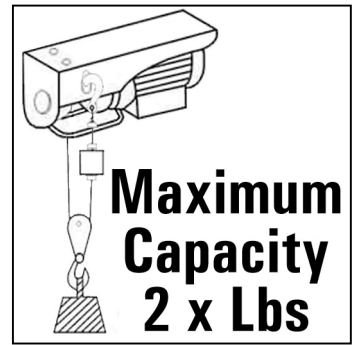


Figure 5
This configuration can lift loads of up to 1100 lbs. using the pulley lift hook.



Figure 6
Make sure the cable is wound properly on the reel.

MAINTENANCE

⚠ WARNING

Disconnect the power supply before cleaning. Wear safety eyewear before cleaning. Use compressed dry air to blow off dust and debris. Use a soft bristle brush if compressed air is not available.

CAUTION

Applying excessive force to the tool can overload the motor, decrease the life and increase the wear on the tool.

CAUTION

Some chemicals can damage the product. Do not use harsh chemicals such as gasoline, carbon tetrachloride, paint thinner, etc. to clean this product.

CAUTION

A qualified repair technician must perform any tool service or repair. Service or maintenance performed by unqualified personnel could result in injury. Use only identical replacement parts. Use of unauthorized parts or failure to follow maintenance instructions may create a risk of electric shock or injury.

⚠ WARNING

Do not make contact with a grounded surface while using this power tool. Contact with surfaces like pipes, radiators or major appliances increases your risk of electric shock.

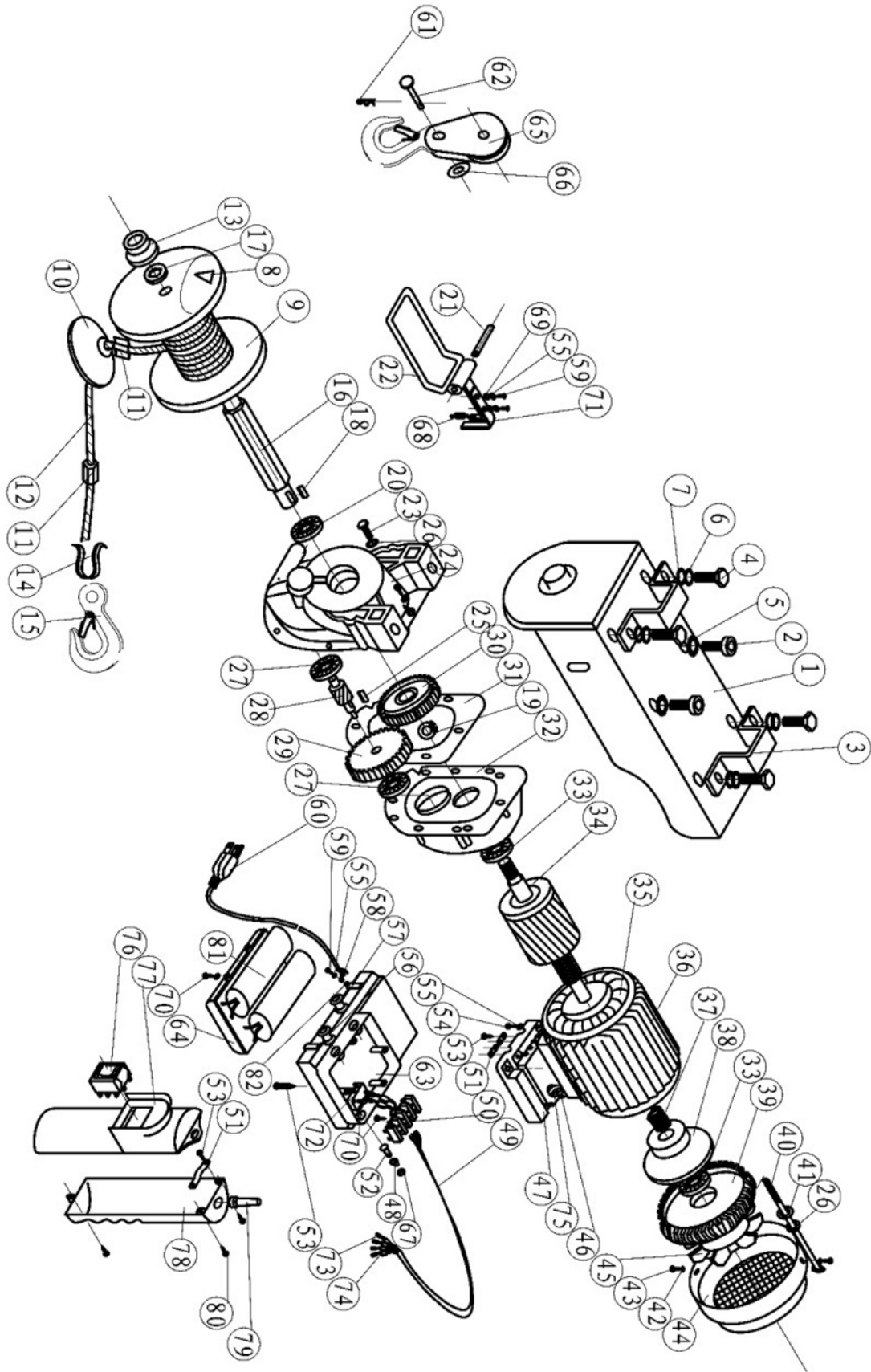
Lubricate the cable occasionally with light oil. Check to make sure the hoist is in good condition before using. Check to make sure the hoist is mounted securely before using, making sure the electrical cords, plugs, controls and other components are in good condition. Replace any worn or damaged parts before using.

ACCESSORIES

Use only accessories that are recommended by the manufacturer for your model. Accessories that may be suitable for one tool may become hazardous when used on another tool.

If you must use an extension cord, be sure that the gauge is large enough to carry the amount of current necessary for your power tool. If not, your tool may experience a loss of power, excessive voltage drop or overheating. The smaller the gauge number, the heavier the cord.

PARTS DIAGRAM



PARTS LIST

NO.	PARTS NAME	QTY	NO.	PARTS NAME	QTY
1	FIXING RACK	1	42	PLAIN WASHER $\phi 3$	6
2	HEX SOCKET CAP HEAD SCREWS M10*26	2	43	CROSS RECESSED PAN HEAD SCREWS M3*6	4
3	FIXING RING	2	44	FAN HOOD	1
4	HEX HEAD BOLTS M10*30	4	45	FAN BLADE	1
5	LOCK WASHERS EXTERNAL TEETH $\phi 10$	2	46	HEX SOCKET CREW	1
6	PLAIN WASHER $\phi 10$	4	47	CONNECTING HOUSING (DOWN)	1
7	PLAIN WASHER $\phi 10$	4	48	"U"washer	1
8	WEDGE	1	49	FOUR CORE CABLE	1
9	ROPE TUBE	1	50	PLACES TERMINAL BLOCK	1
10	ROUTING CAP	1	51	CLAMP PLATE	4
11	FASTENING SLEEVE OF ROPE	2	52	MICROSWITCH SHAFT	1
12	ROPE	1	53	CROSS RECESSED PAN HEAD SCREW M4*16	10
13	CRADLE	1	54	CROSS RECESSED PAN HEAD SCREW M4*10	4
14	SHRINK-RING OF ROPE	1	55	PLAIN WASHER $\phi 4$	8
15	LIFT HOOK	2	56	GUARD RING ($\phi 7$)	1
16	SHAFT OF ROPE TUBE	1	57	GUARD RING ($\phi 8$)	1
17	WASHER	1	58	GROUNDING SHEET	1
18	SQUARE KEY M5*16	1	59	CROSS RECESSED PAN HEAD SREW M4*8	3
19	CIRCLIP FOR SHAFT $\phi 17$	2	60	THREE-CORE PLUG	1
20	BEARING(60203)	1	61	SPLIT PIN25*30	1
21	HEX SOCKET SCREWM8*45	1	62	CLAMP CONNECTER	1
22	SPACING RACK	1	63	CONNECTING HOUSING	1
23	HEX SOCKET SCREW M5*17	6	64	SICROSWITCH COVER	1
24	FRONT COVER	1	65	PULLEY	1
25	SQUARE KEY M5*12	1	66	PLAIN WASHER $\phi 10$	1
26	SPRING WASHER. $\phi 5$	10	67	CIRCLIP FOR SHAFT $\phi 6$	1
27	BEARING(80201)	2	68	SPRING	1
28	INTERMEDIATE SHAFT	1	69	LOCK WASHERS EXTERNAL TEETH $\phi 4$	1
29	GRADE 1 GEAR	1	70	CROSS PAN HEAD TAPPING SCREW M3*14.7	6
30	GRADE 2 GEAR	1	71	SPACING RACK	1
31	SPACER	1	72	MICROSWITCH	1
32	GEAR BOX	1	73	PLUG-IN SHEET	6
33	BEARING(80202)	2	74	SLEEVE OF PLUG-IN SHEET	6
34	ROTOR	1	75	ISOLATING SHEATH $\phi 6*50$	3
35	STATOR	1	76	POSITIVE AND NEGITIVE SWITCHES	1
36	CHASSIS	1	77	HANDLE COVER	1
37	SPRING	1	78	HANDLE BASE	1
38	BRAKE HOOP	1	79	SHEATH	1
39	GEAR COVER	1	80	CROSS PAN HEAD TAPPING SCREW ST4*18	3
40	HEX SCREW M5*175	4	81	CAPACITOR	2
41	PLAIN WASHER $\phi 5$	4	82	LOCK WASHERS EXTERNAL TEETH $\phi 4$	1

(201510)