

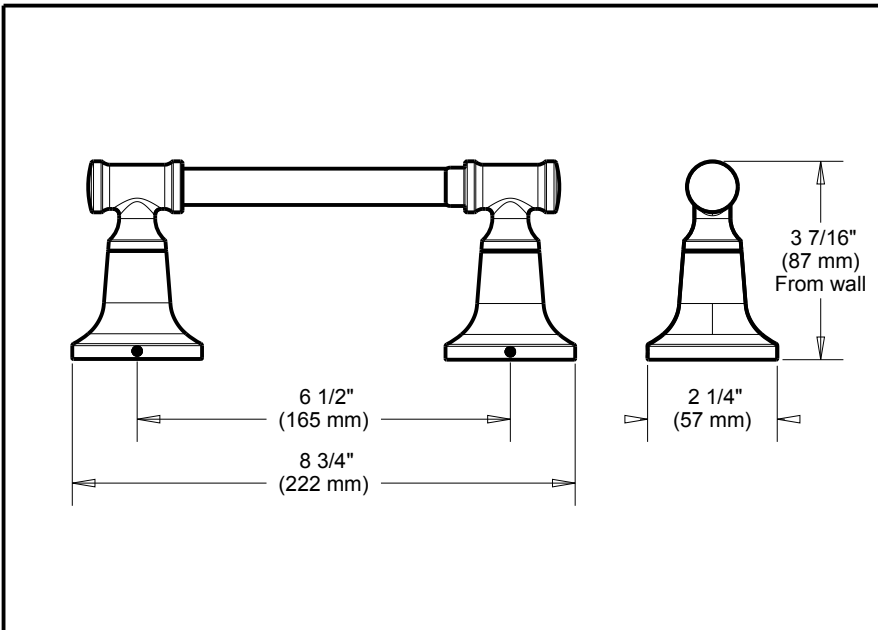
DELTA[®]

ACCESSORIES

- Chamberlain™ Bath Collection
- Toilet Paper Holder

Submitted Model No.: _____

Specific Features: _____



STANDARD SPECIFICATIONS:

- Mounting hardware and mounting template included with product.

WARRANTY

- Limited Lifetime Warranty to the original consumer purchaser to be free from defects in material and workmanship.
- Limited Lifetime Warranty for usage in all industrial, commercial and business applications.