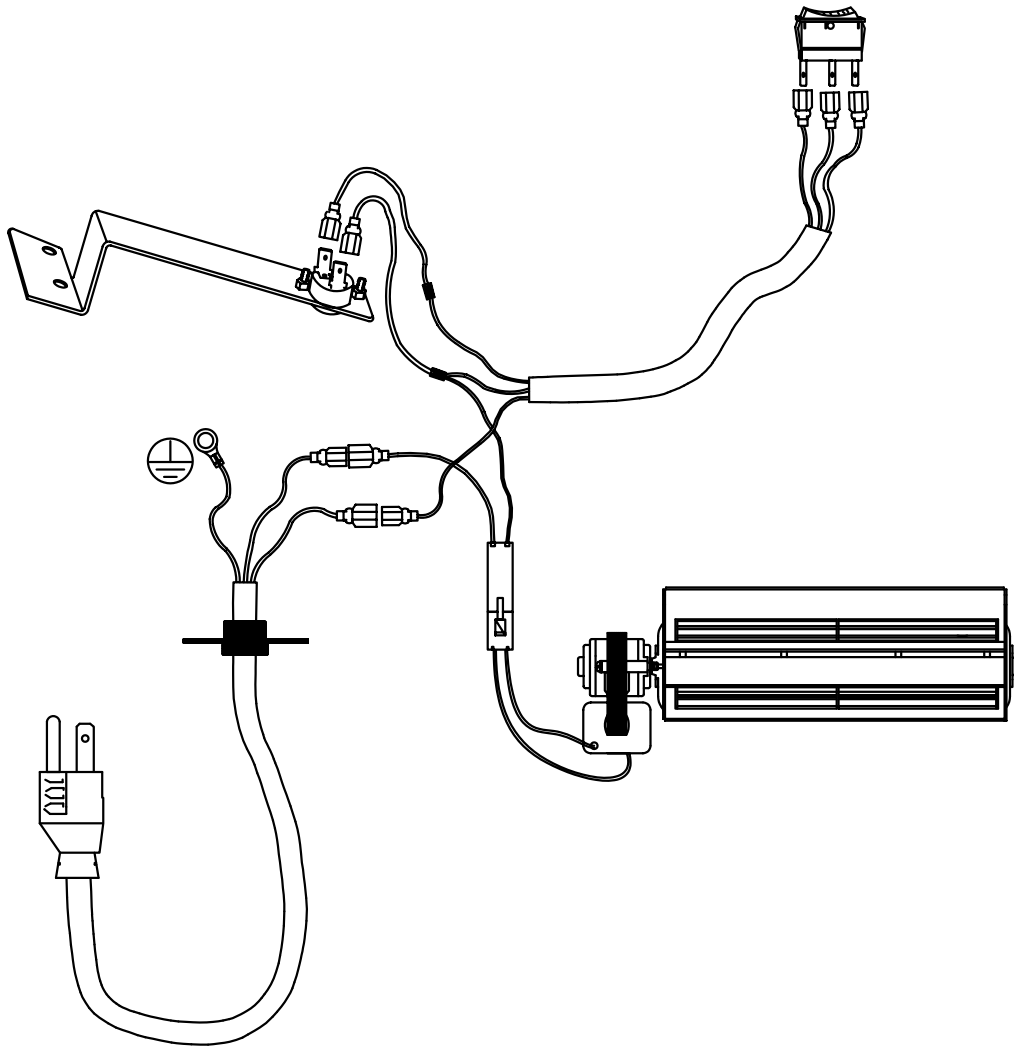




ITEM #0293809
BLOWER ACCESSORY

MODEL #QEB100

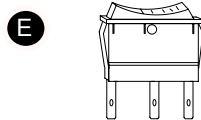
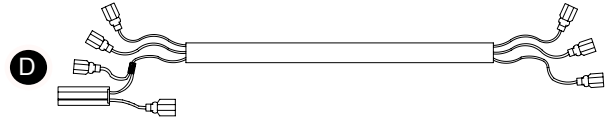
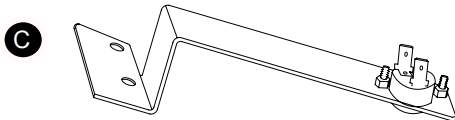
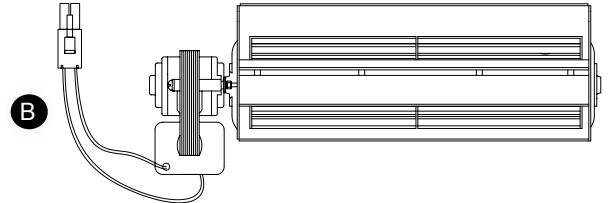
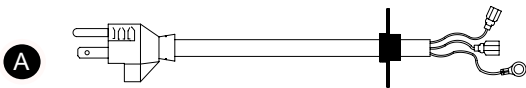
Español p. 35



Questions, problems, missing parts? Before returning to your retailer, call our customer service department at 1-877-886-5989, 8:00 a.m - 4:30 p.m., EST, Monday - Friday or e-mail customerservice@usaprocom.com.

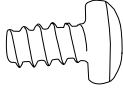
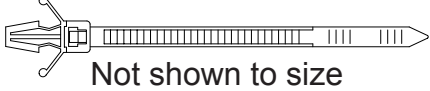
PC-FANQEB-1104

PACKAGE CONTENTS



PART	DESCRIPTION	Quantity
A	Power Cord	1
B	Blower	1
C	Temperature Sensor	1
D	Connector Wires	1
E	Rocker Switch	1

HARDWARE CONTENTS

Part	Description	Quantity	Picture (Shown to size)
AA	M4.2X8 Screw	10	
BB	Cable Tie	2	 Not shown to size

WARNINGS AND CAUTIONS

WARNING

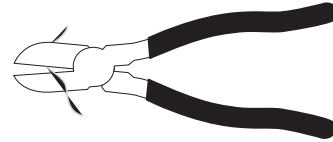
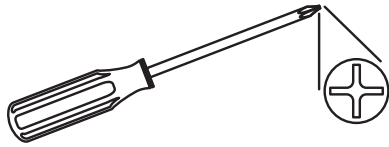
- Read all instructions and warnings carefully before starting installation. Failure to follow these instructions may result in a possible electric shock, fire hazard and will void the warranty.
- Read all instructions before using this appliance.
- If possible always unplug this appliance when not in use.
- Do not operate any heater with a damaged cord or plug or after the appliance malfunctions, has been dropped or damaged in any manner.
- Any repairs to this appliance should be carried out by a qualified service person.
- Under no circumstances should this appliance be modified. Parts having to be removed for servicing must be replaced prior to operating this appliance again.
- Do not use outdoors.
- Never locate this appliance where it may fall into a bathtub or other water container.
- Do not run cord under carpeting. Do not cover cord with throw rugs, runners or the like. Arrange cord away from traffic areas and where it will not be tripped over.
- To disconnect this appliance, turn controls to the off position, then remove plug from outlet.
- Connect to properly grounded outlets only.
- This appliance, when installed must be electrically grounded in accordance with local codes, with the current CSA C22.1 Canadian Electrical codes or for USA installations, follow local codes and the National Electric Code, ANSI/NFPA No. 70.
- Do not insert or allow foreign objects to enter any ventilation or exhaust opening as this may cause an electric shock, fire or damage the appliance.
- To prevent possible fire, do not block air intakes or exhaust in any manner.
- Use this appliance only as described in this manual. Any other use not recommended by the manufacturer may cause fire, electric shock or injury to persons.
- Avoid the use of an extension cord because of the risk of overheating the cord and the risk of fire. Extension cords are for temporary use only. If an extension cord must be used, it must be UL/CSA certified, rated at 10A (1250W), 125V maximum with 16 AWG minimum and constructed of two current carrying conductors with ground. A heavy duty extension cord with the shortest length possible for the connection is recommended and must not be longer than 50 ft. (15.2 m). Do not coil or cover the extension cord.

PREPARATION

Before beginning assembly of product, make sure all parts are present. Compare parts with package contents list. If any part is missing or damaged, do not attempt to assemble the product. Contact customer service for replacement parts.

Estimated Assembly Time: 60 minutes


Tools Required for Assembly: Philips Screwdriver and Wire Cutter



ASSEMBLY INSTRUCTIONS

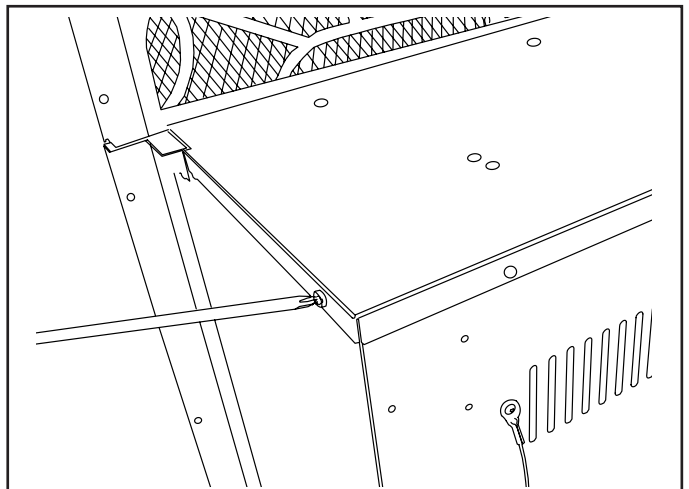
This blower contains assembly instructions for the following models and item numbers CRHED200TA3 (Item # 0328247), and ED series.

For the CRHQD250T (Item # 0293811), CRHSD25RT (Item # 0328253), CRHFD400RT-M-M (Item # 0328248), BD23 series, Q stove, PCSD25RT series and FBD400 series see page 14 - 28.

 Before installing the blower, be certain to turn off the unit, and allow time for unit to cool down.

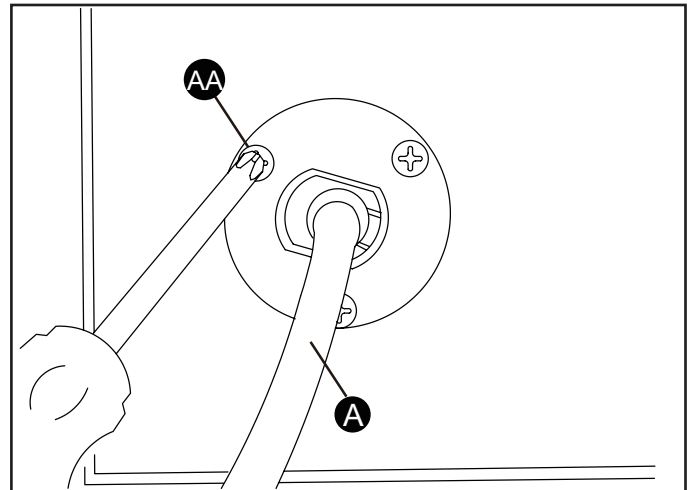
1. Unscrew and remove the top cover of the fireplace. See Fig. 1.

Fig. 1



2. Attach the power cord (A) to the fireplace with M4.2X8 screws (AA) on the top cover. See Fig. 2.

Fig. 2

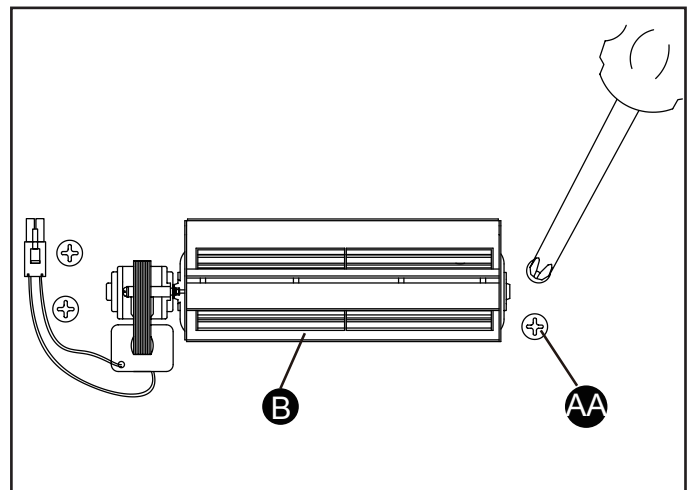


Hardware Used

AA M4.2X8 screw  x3

3. Attach the blower (B) assembly to the top cover with M4.2X8 screws (AA). See Fig. 3.

Fig. 3

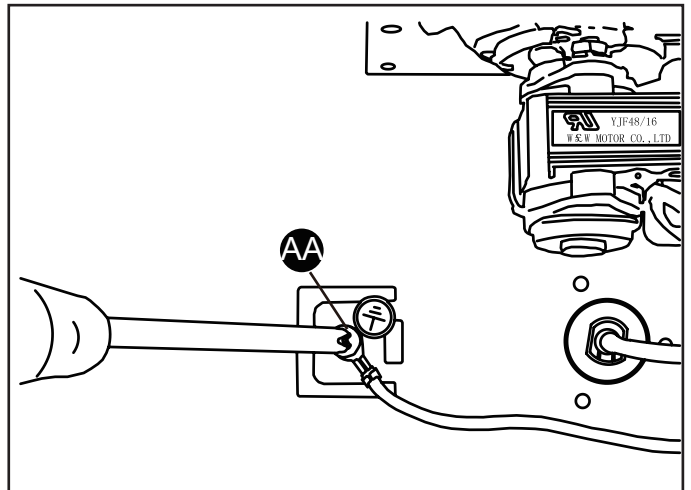


Hardware Used

AA M4.2X8 screw  x4

4. Attach the grounding port to shell board with M4.2X8 screw (AA); refer to grounding label. Be sure to insert the gasket between the shell board and the grounding port. See Fig. 4.

Fig. 4



Hardware Used

- | | | | |
|---|--------------|---|----|
|  | M4.2X8 screw |  | x1 |
|---|--------------|---|----|

5. Insert the blower connector (male port) into the connector (female port) to protecting jacket in the fireplace. See Fig. 5.

Fig. 5

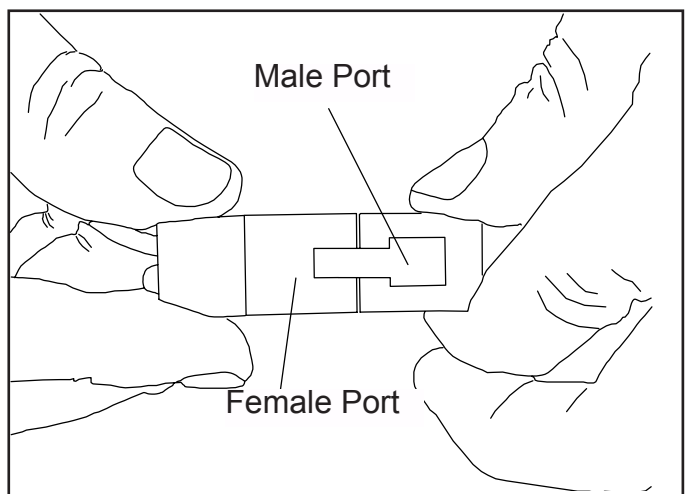


Fig. 6

6. Insert the male port, which is on the black power supply wire (marked P2), into the corresponding female port (marked P2). See Fig. 6.

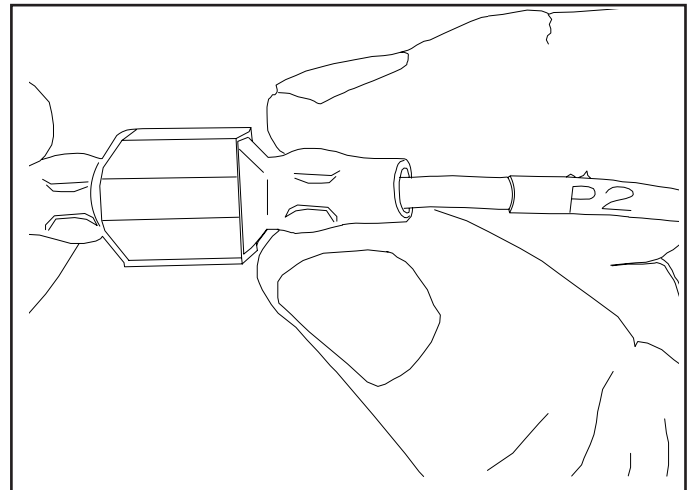
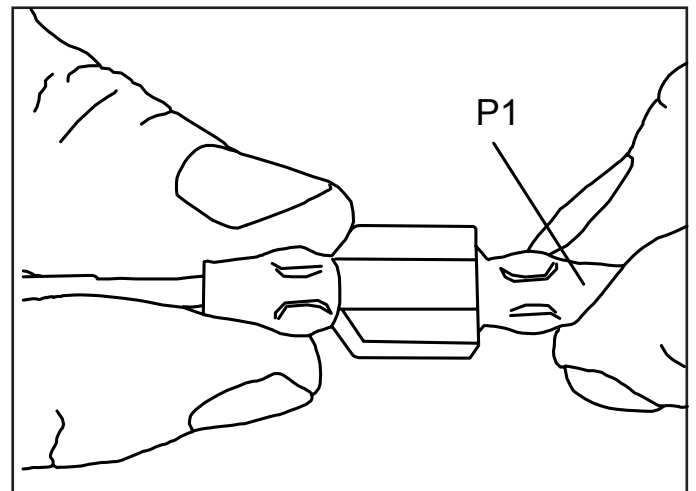


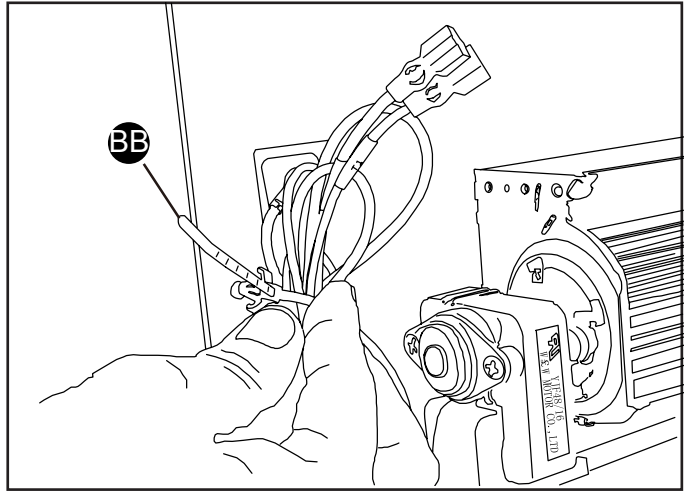
Fig. 7

7. Insert the female port, which is on the white power supply wire (marked P1), into the corresponding male port (marked P1). See Fig. 7.




8. **IMPORTANT:** Bundle the wiring to the top board with the cable tie (BB). This is to avoid any heat damage to the insulation board. See Fig. 8.

Fig. 8

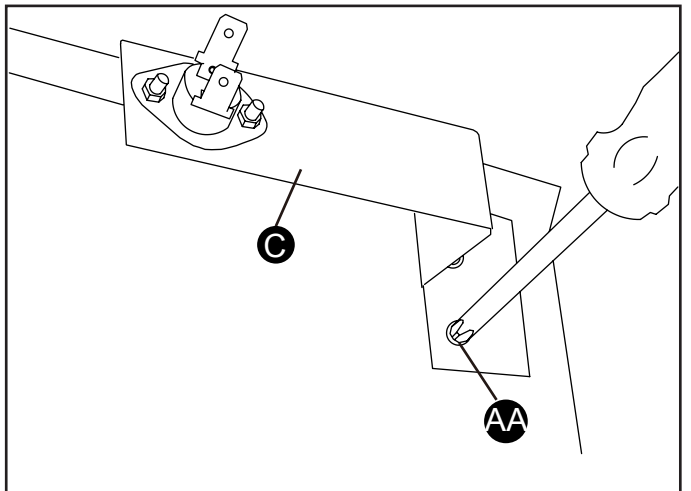


Hardware Used

BB Cable Tie  x1

9. Attach temperature sensor (C) to the back of the firebox with M4.2X8 screws (AA). See Fig. 9.

Fig. 9



Hardware Used


AA M4.2X8 screws  x2

Fig. 10

10. Insert the wires marked with AUTO, OFF and MAN into wire slot on the right corner. Feed them as close to the bottom as possible. See Fig. 10.

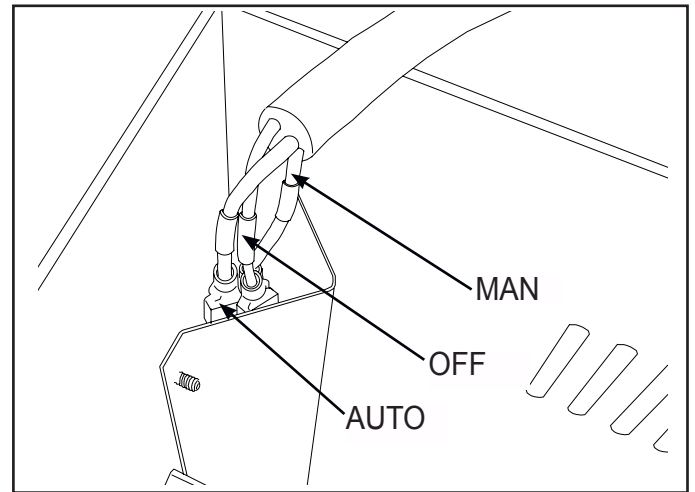


Fig. 11

11. Connect two black and yellow wires (female ports) marked T1 and T2 with the two male ports on the temperature sensor (C). See Fig. 11.

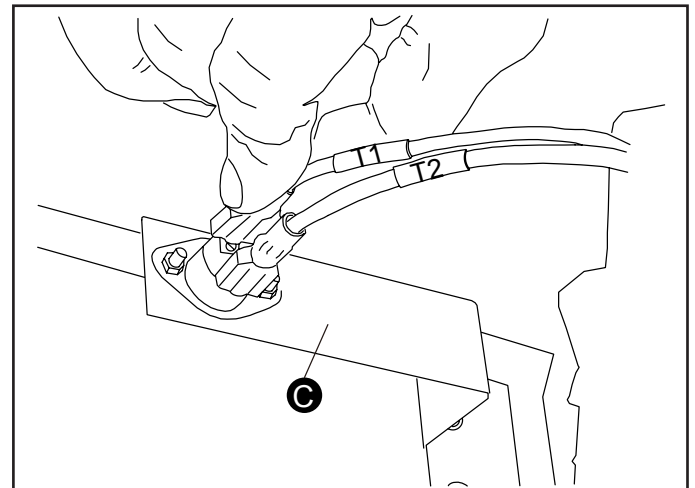


Fig. 12

12. Unscrew two screws on the grill. Remove the grill and logs. See Fig. 12.



Fig. 13

13. Unscrew the control panel (two screws). Pull the control panel out without disconnecting the ignitor wire. See Fig. 13.

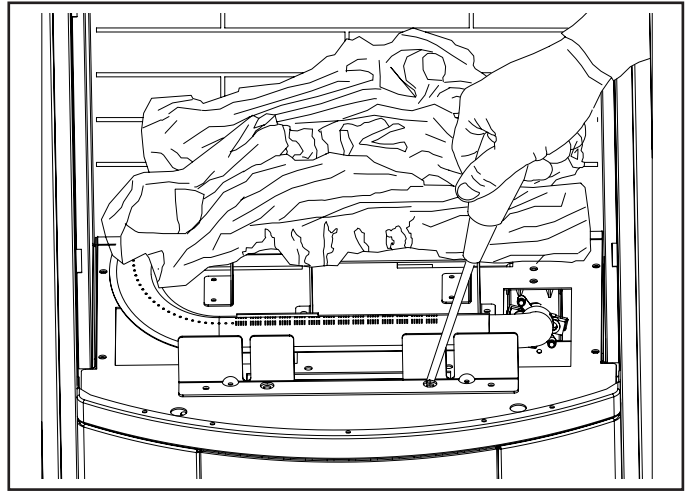


Fig. 14

14. Feed the AUTO, OFF, MAN connectors through the rocker switch hole on the left of the control panel. See Fig. 14.

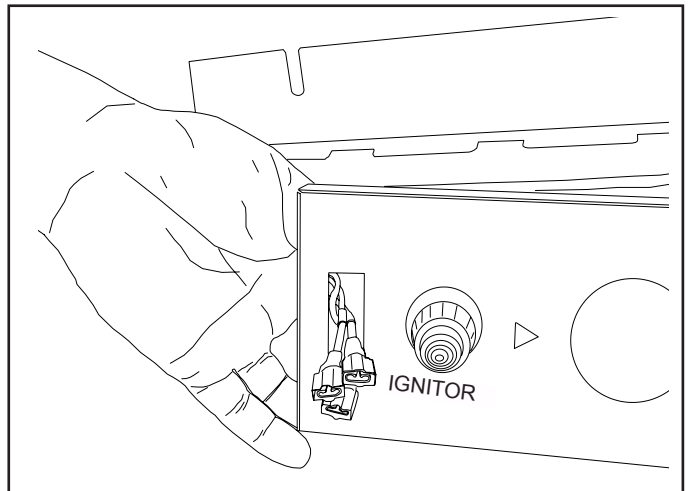


Fig. 15

15. Connect the AUTO, OFF, MAN wires to the three corresponding male tabs on the rocker switch (E). See Fig. 15.

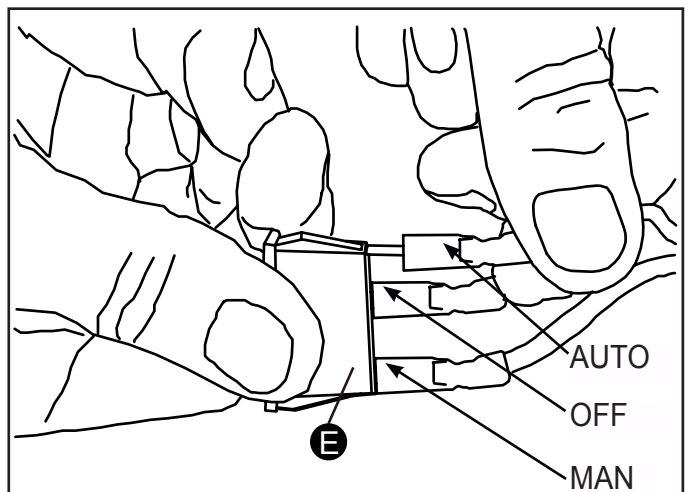


Fig. 16

16. Push the rocker switch (E) into the control panel. See Fig. 16.

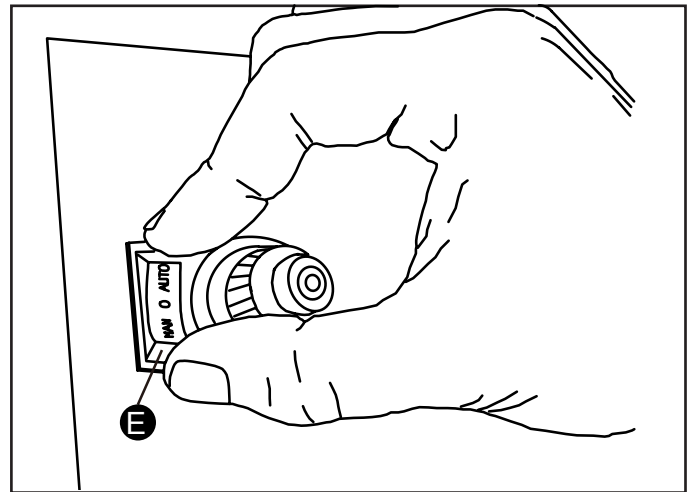


Fig. 17

17. Re-attach the control panel with the two screws taken off in step 13. See Fig. 17.

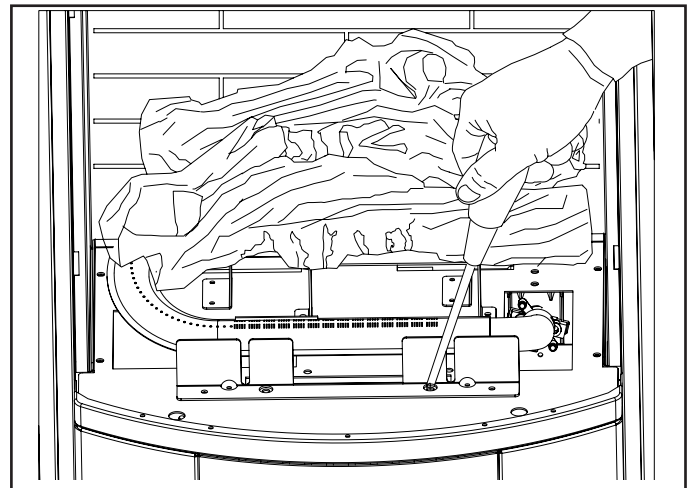
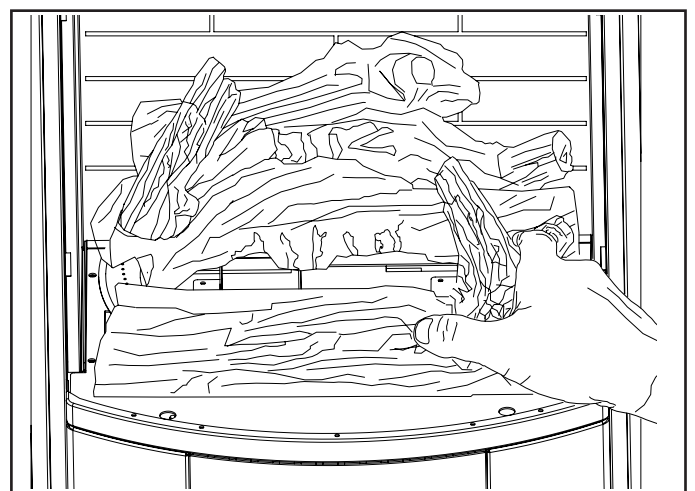


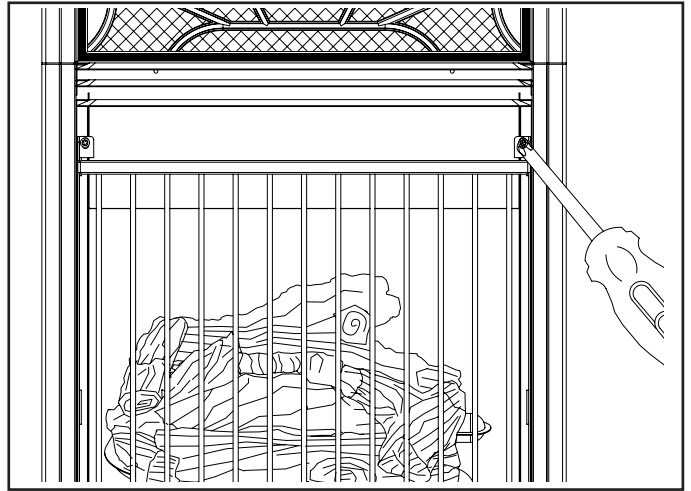
Fig. 18

18. Lay the logs according to the original layout. Refer to manual for log layout. See Fig. 18.



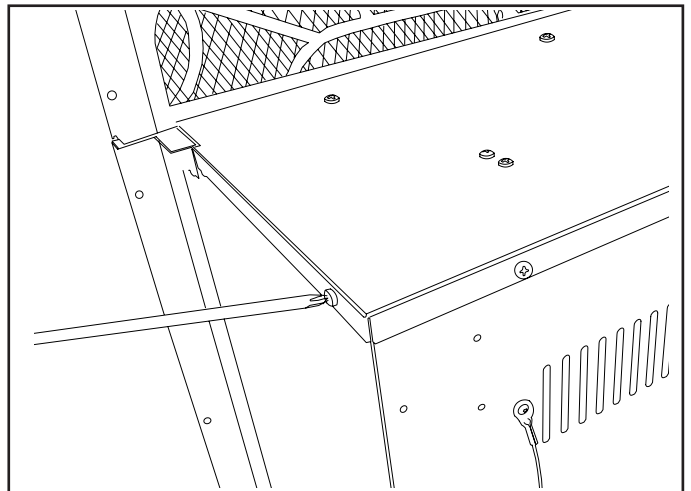
19. Re-attach the grill with the two screws taken off in step 12. See Fig. 19.

Fig. 19



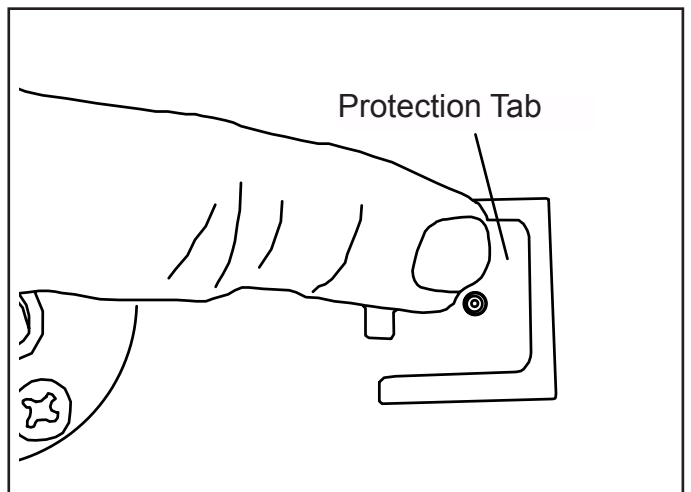
20. Re-attach the top panel with the screws taken off in step 1. See Fig. 20.

Fig. 20

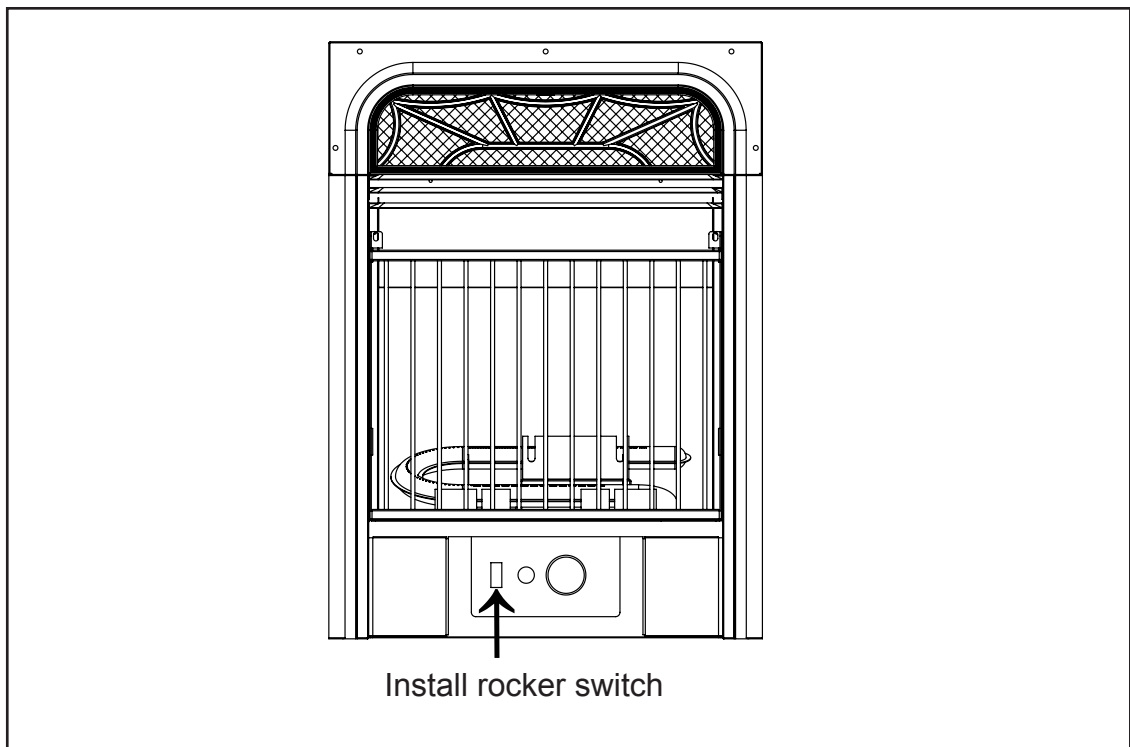
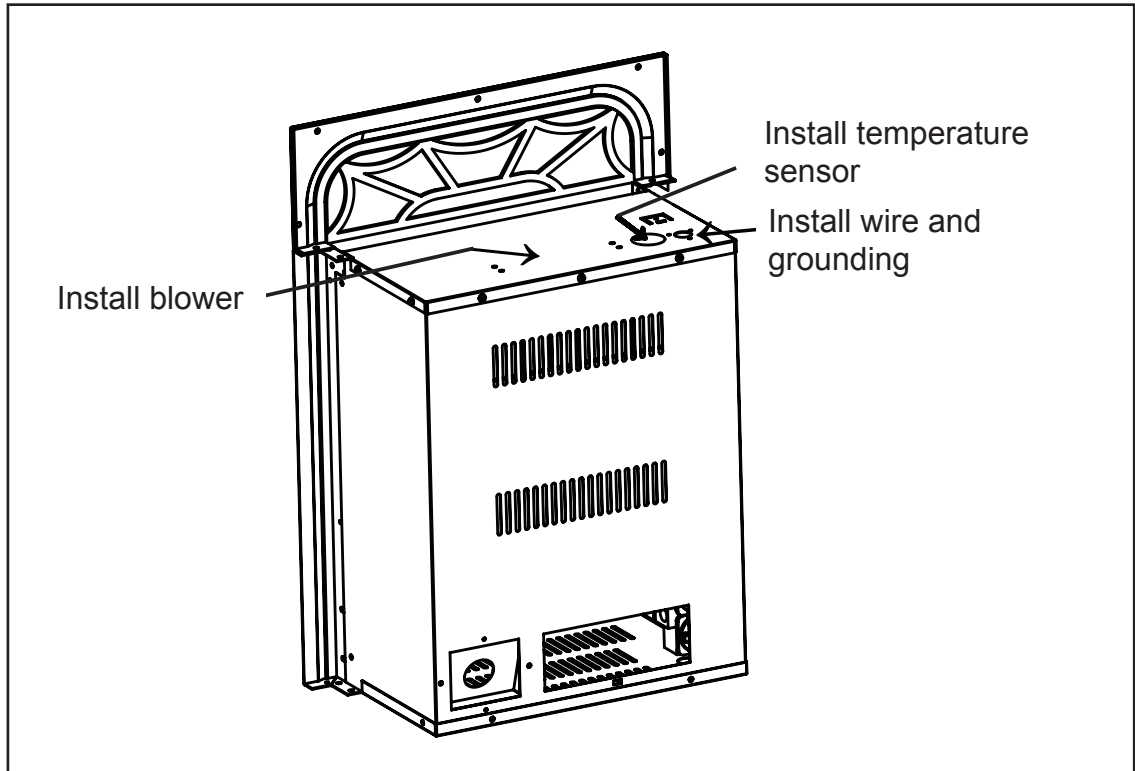


21. Push the protection tab in to make it embed into the surface of top cover.

Fig. 21



Installation blower assembly position

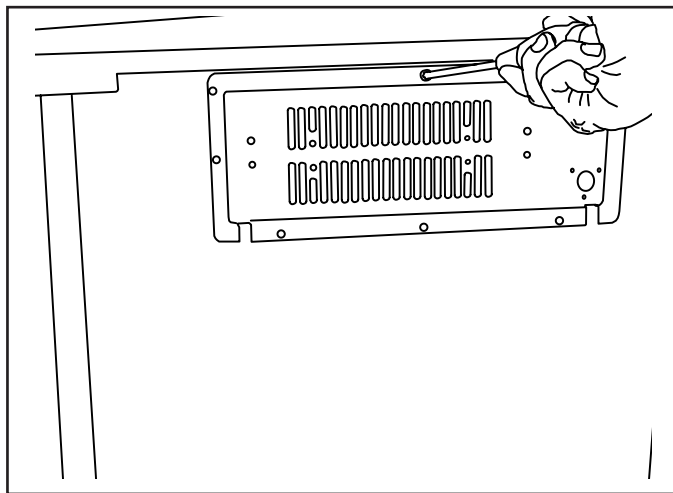


Instruction for the models CRHQD250T (Item # 0293811), CRHSD25RT (Item # 0328253), CRHFD400RT-M-M (Item # 0328248), BD23 series, Q stove, PCSD25RT series and FBD400 series.

! Before installing the blower, be certain to turn off the unit, and allow time for unit to cool down.

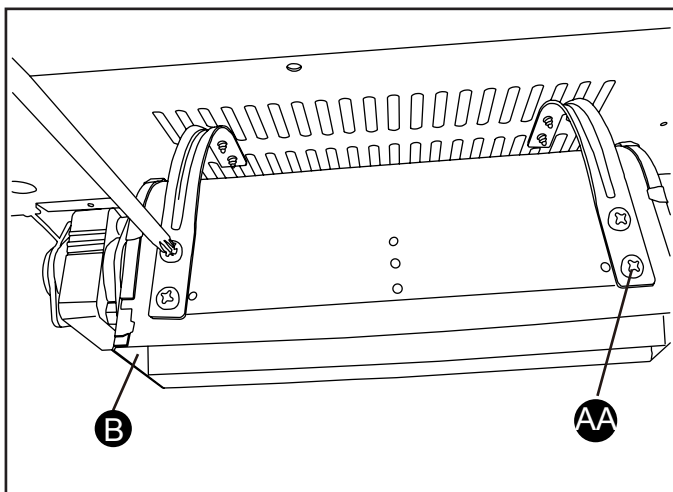
1. Unscrew and remove the blower access panel. See Fig. 1.

Fig. 1



2. Attach blower (B) onto the blower access panel with M4.2X8 screws (AA). See Fig. 2.

Fig. 2

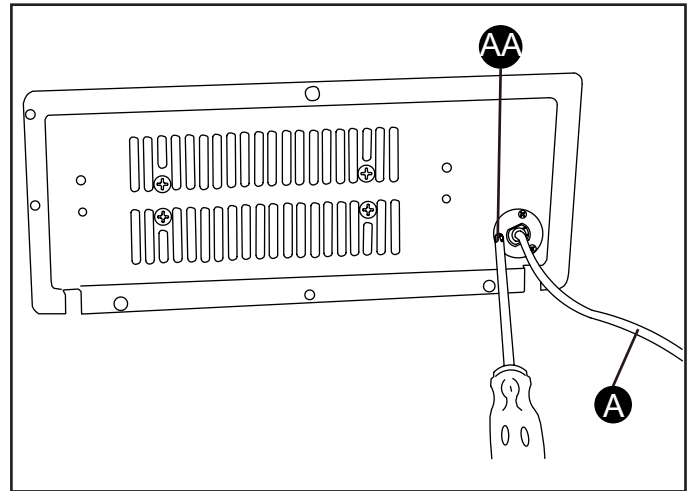


Hardware Used

AA M4.2X8 screws  x 4

3. Attach the power cord (A) to the blower access panel with M4.2X8 screws (AA). See Fig. 3.

Fig. 3

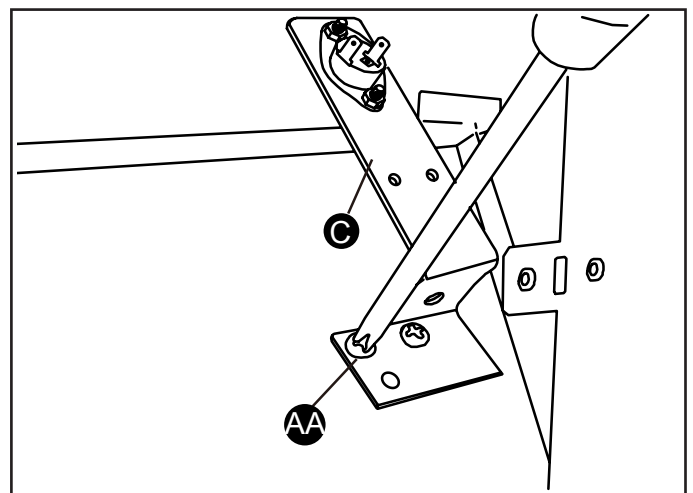


Hardware Used

AA M4.2X8 screw  x 3

4. Attach the temperature sensor (C) to the back of the firebox with M4.2X8 screws (AA). See Fig. 4.

Fig. 4



Hardware Used

AA M4.2X8 screw  x 2

5. Insert the wires marked with AUTO, OFF and MAN into wire slot on the right corner. Feed them as close to the bottom as possible. See Fig. 5a and 5b (top view) Fig. 5c (top view) (For Model # PCSD25RT only).

Fig. 5a

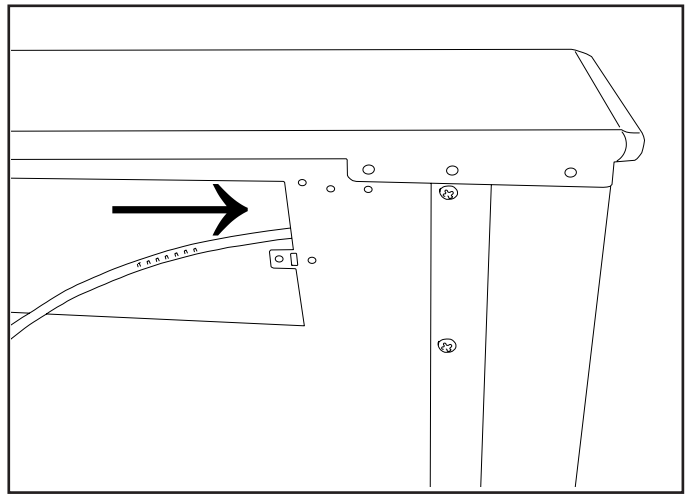


Fig. 5b

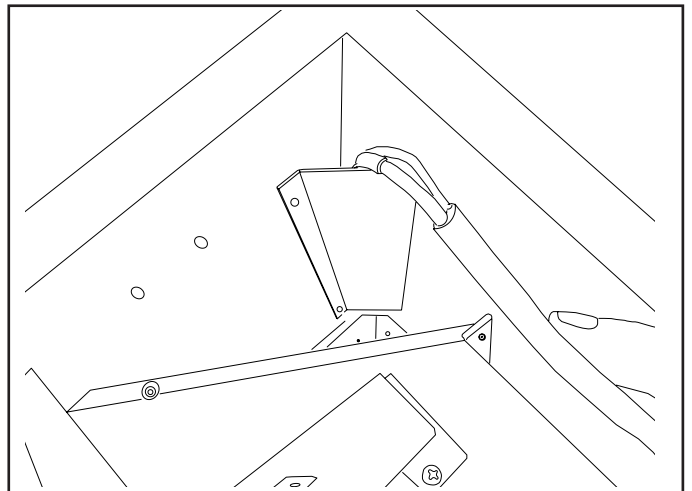
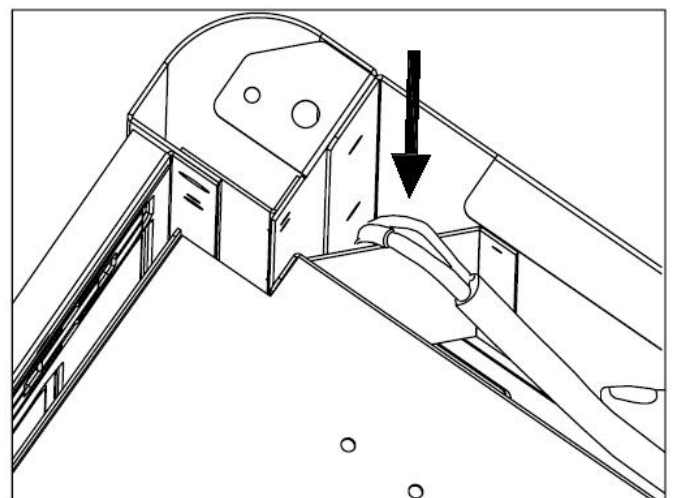
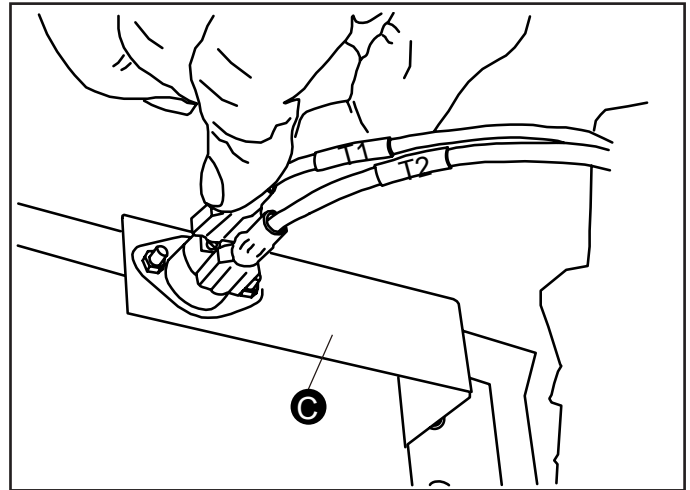


Fig. 5c



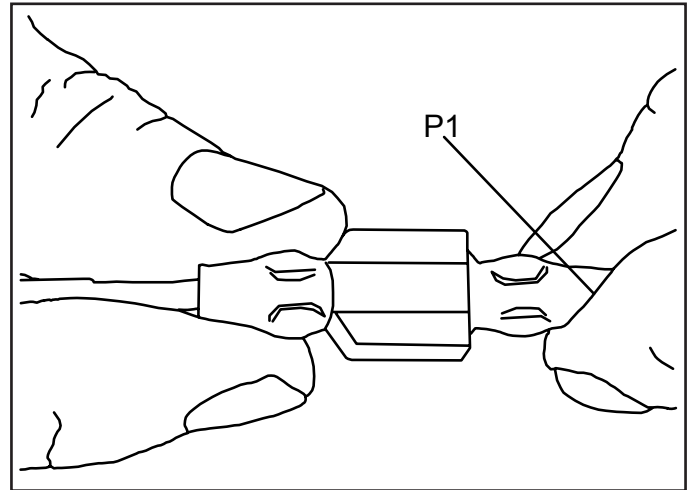
6. Connect two black and yellow wires (female ports) marked T1 and T2 with the two male ports on the temperature sensor (C). See Fig 6.

Fig. 6



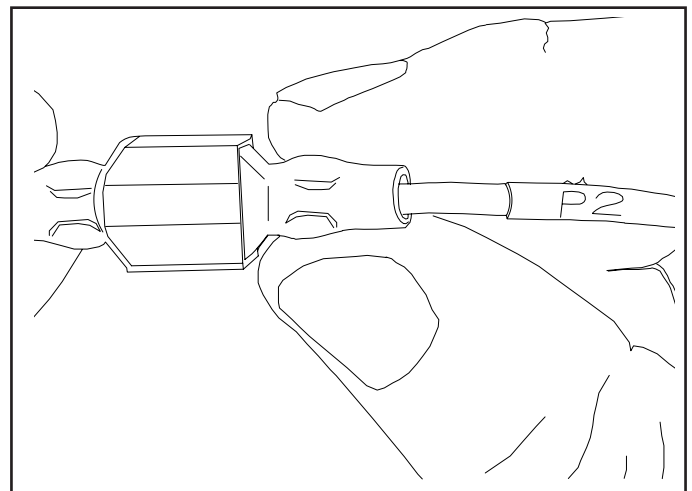
7. Insert the female port, which is on the white power supply wire (marked P1), into the corresponding male port (marked P1). See Fig. 7.

Fig. 7



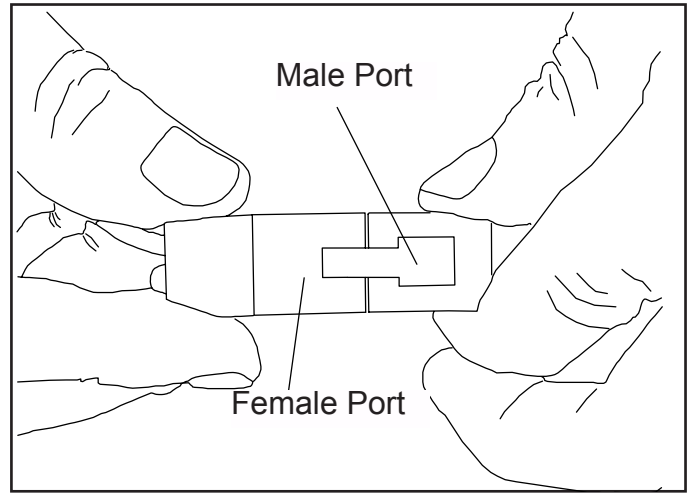
8. Insert the male port, which is on the black power supply wire (marked P2), into the corresponding female port (marked P2). See Fig. 8.

Fig. 8



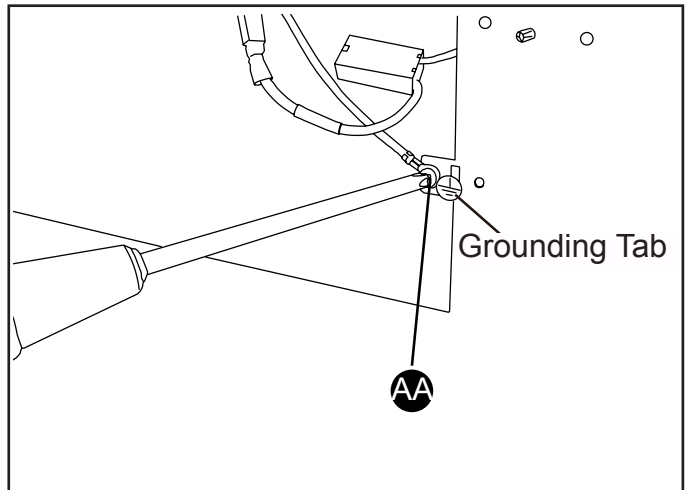
9. Insert the blower connector (male port) into the connector (female port) to protecting jacket in the fireplace. See Fig. 9.

Fig. 9



10. Attach the grounding port to the tab on the right side of the blower access hole with M4.2X8 screws (AA). See Fig. 10.

Fig. 10

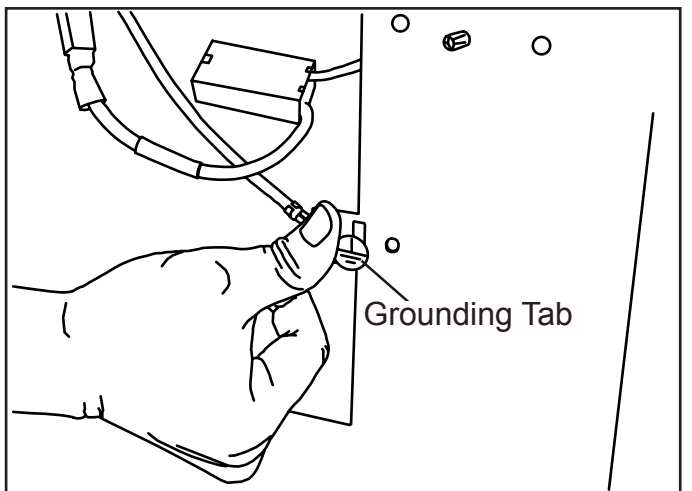


Hardware Used

AA M4.2X8 screw  x 1

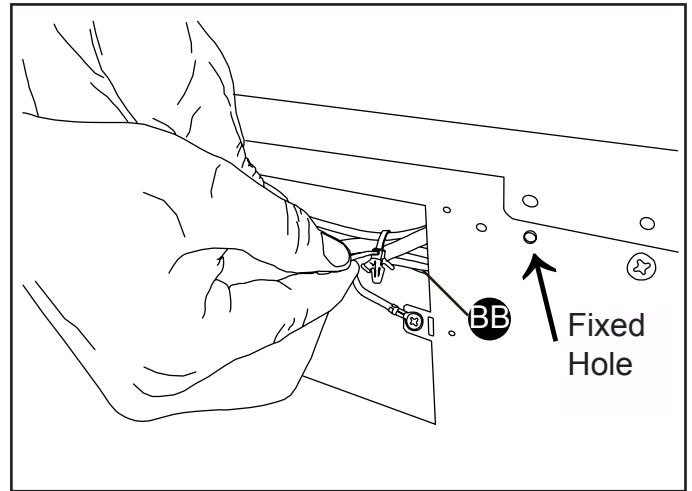
11. Push the grounding tab inwards (approximately 60 degrees). See Fig. 11.

Fig. 11



12. Bundle the wiring with the cable tie (BB). See Fig. 12. For Model # CRHQD250T (Item # 0293811), and Q stove only.

Fig. 12

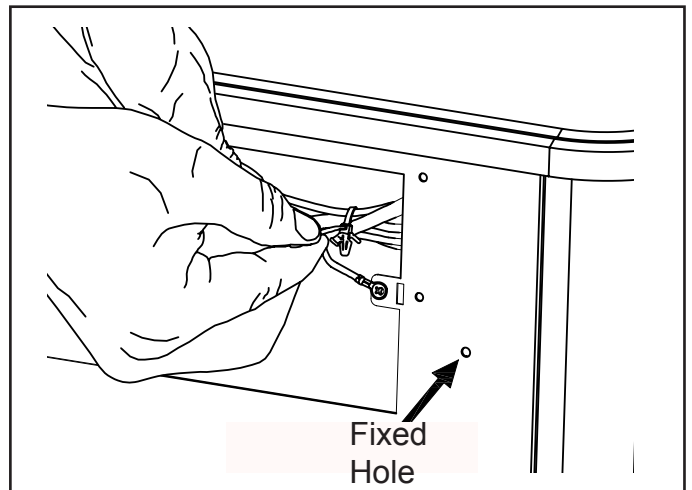


Hardware Used



13. Bundle the wiring with the cable tie (BB). See Fig. 13. For Model # CRHSD25RT (Item # 0328253), Model # CRHFD400RT-M-M (Item # 0328248), and PCSD25RT only.

Fig. 13

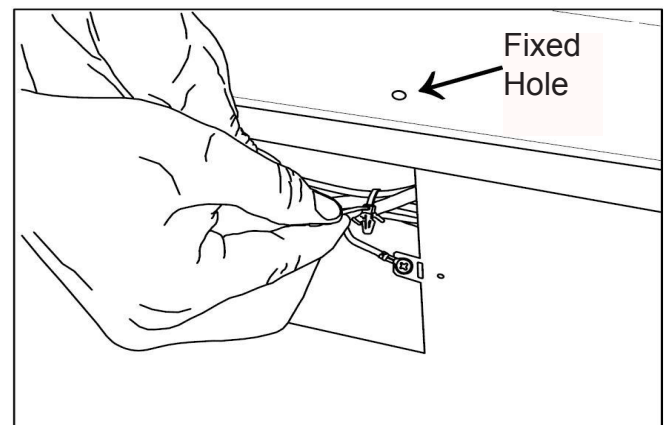


Hardware Used



14. Bundle the wiring with the cable tie (BB). See Fig. 14. For Model # BD23 series only.

Fig. 14

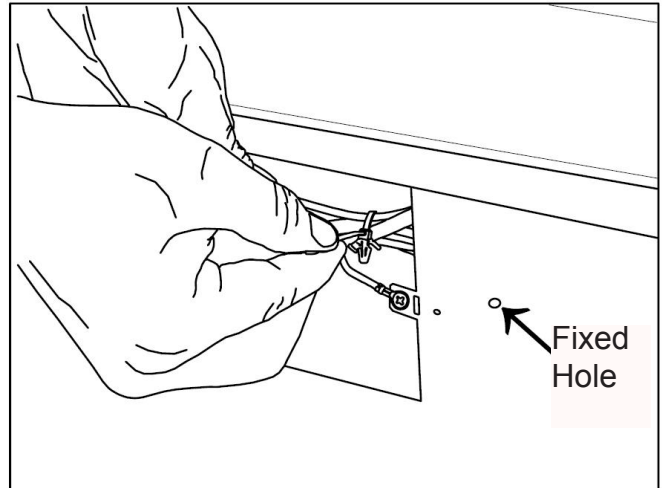


Hardware Used



Fig. 15

15. Bundle the wiring with the cable tie (BB). See Fig. 15. For Model # FBD400 series only.



Hardware Used



Fig. 16

16. Unscrew two screws on the grill. Remove the grill and logs. See Fig. 16. For Model # CRHQD250T (Item # 0293811), Q stove, and BD32 series only.

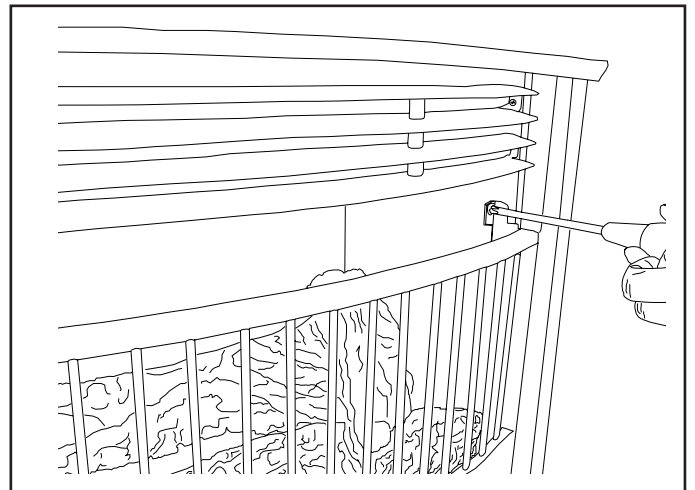


Fig. 17

17. Rotating handle, open the door, remove the logs. See Fig. 17. For Model # CRHSD25RT (Item # 0328253),

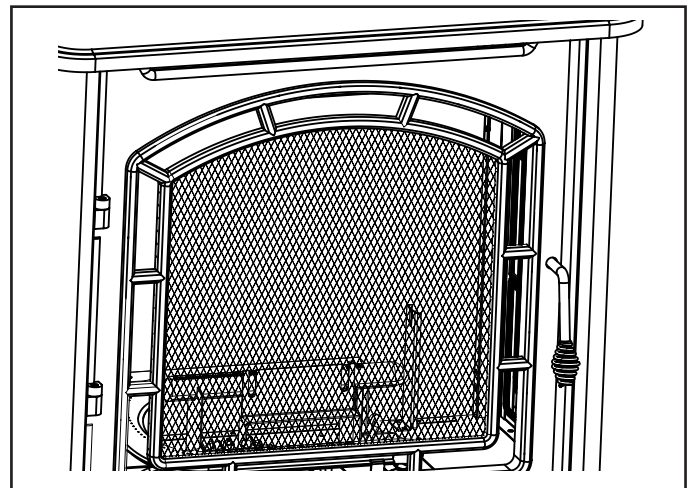


Fig. 18

18. Rotating handle, open the door, remove the logs. See Fig. 18. For Model # PCSD25RT only.

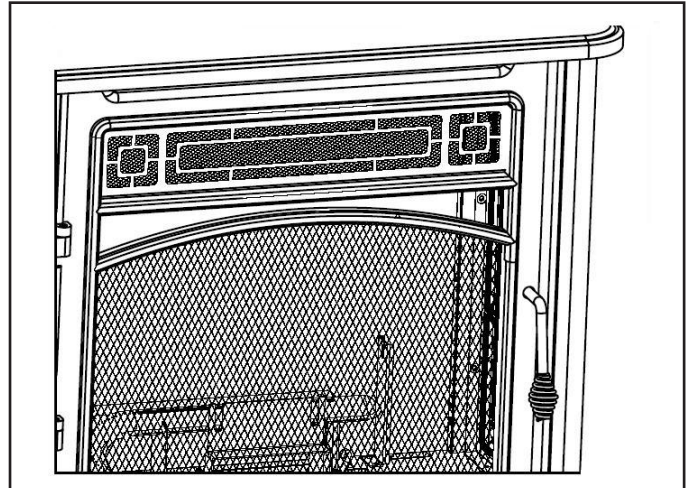


Fig. 19

19. Unscrew screws for fixing front log bracket and Control Panel. See Fig. 19. For Model # CRHQD250T (Item # 0293811), Q stove, and BD32 series only.

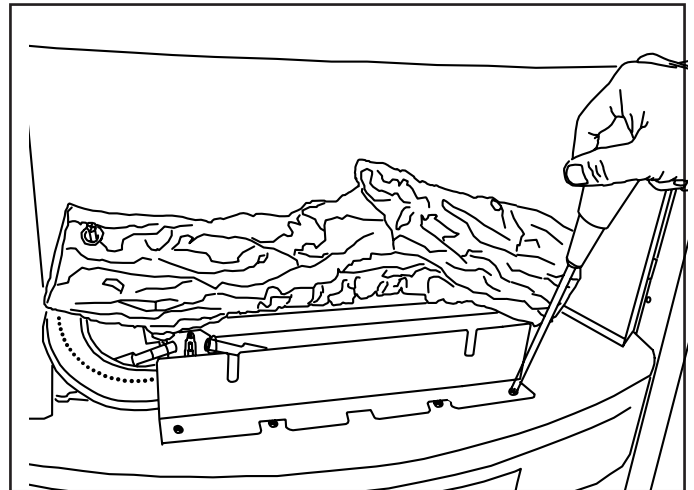
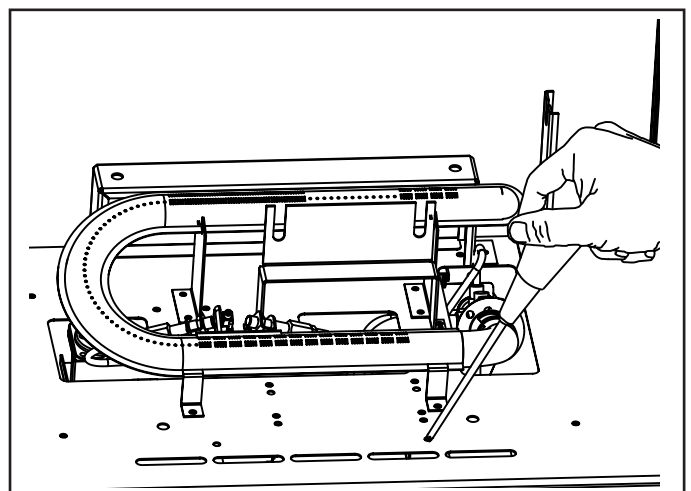


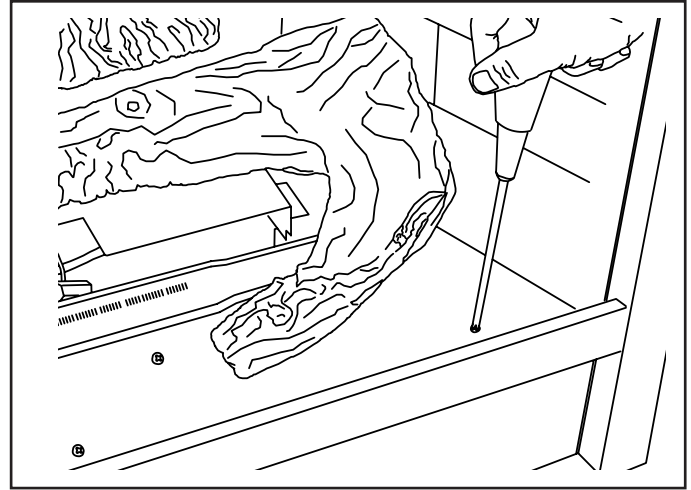
Fig. 20

20. Unscrew the screws for fixing control panel. See Fig. 20. For Model # CRHSD25RT (Item # 0328253), and PCSD25RT only.



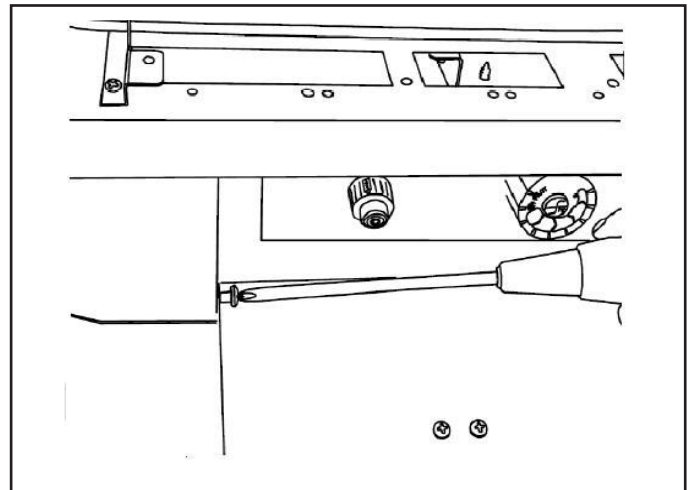
21. Unscrew screws for fixing control panel. See Fig. 21. For Model # CRHFD400RT-M-M (Item # 0328248), and FBD400 series only.

Fig. 21



22. Unscrew screws for fixing the door. See Fig. 22. For Model # BD23 series only.

Fig. 22



23. Feed the AUTO, OFF, MAN connectors through the rocker switch hole on the left of the control panel. See Fig. 23. For Model # CRHQD250T (Item # 0293811), Q stove, and BD32 series only.

Fig. 23

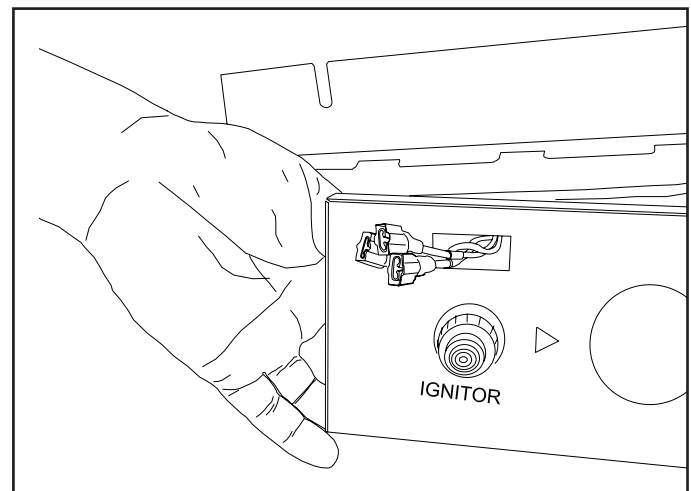


Fig. 24

24. Feed the AUTO, OFF, MAN connectors through the rocker switch hole on the left of the control panel. See Fig. 24. For Model # CRHSD25RT (Item # 0328253), CRHFD400RT-M-M (Item # 0328248), PCSD25RT, and FBD400 series only.

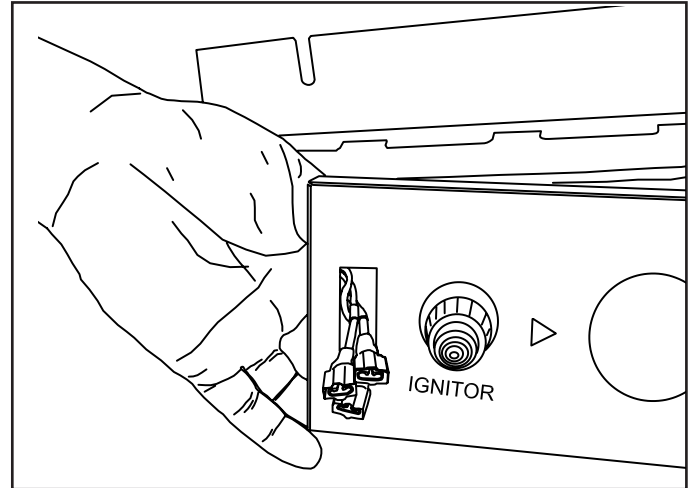


Fig. 25

25. Connect the AUTO, OFF, MAN wires to the three corresponding male tabs on the rocker switch (E). See Fig. 25.

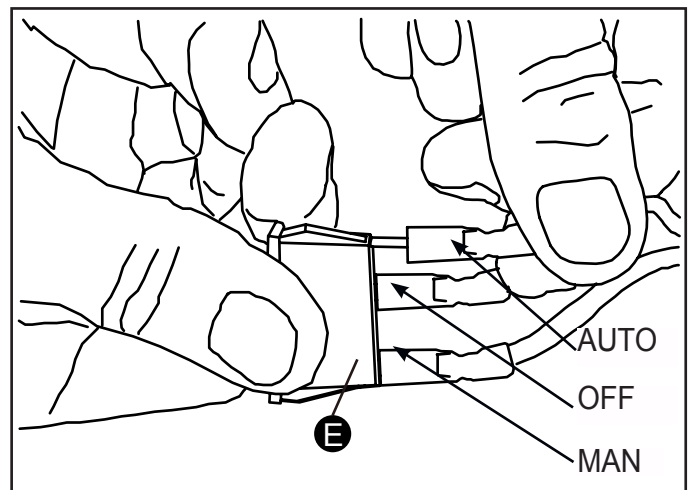


Fig. 26

26. Push the rocker switch (E) into the control panel. See Fig. 26. For Model # CRHQD250T (Item # 0293811), Q stove, and BD32 series only.

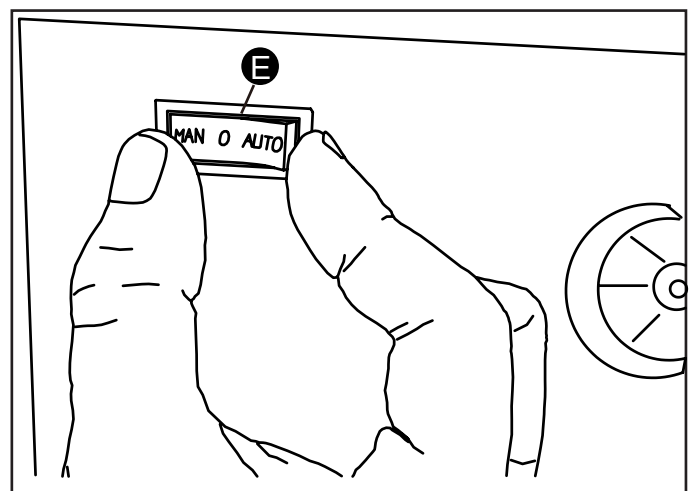


Fig. 27

27. Push the rocker switch (E) into the control panel. See Fig. 27. For Model # CRHSD25RT (Item # 0328253), CRHFD400RT-M-M (Item # 0328248), PCSD25RT, and FBD400 series only.

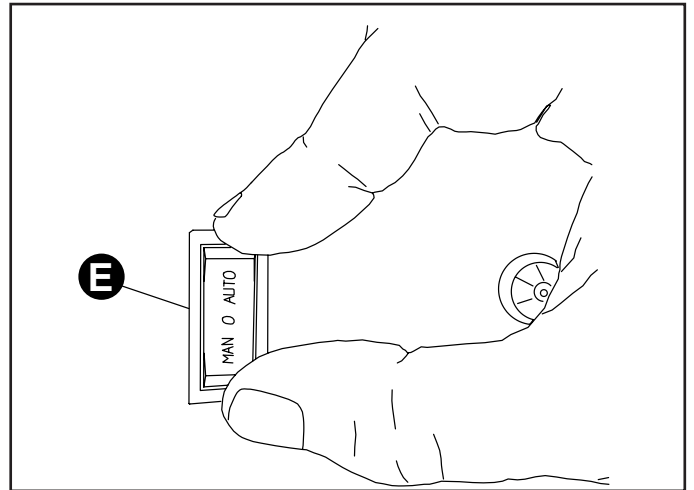


Fig. 28

28. Re-attach the control panel with the two screws taken off in step 16. See Fig. 28. For Model # CRHQD250T (Item # 0293811), Q stove, and BD32 series only.

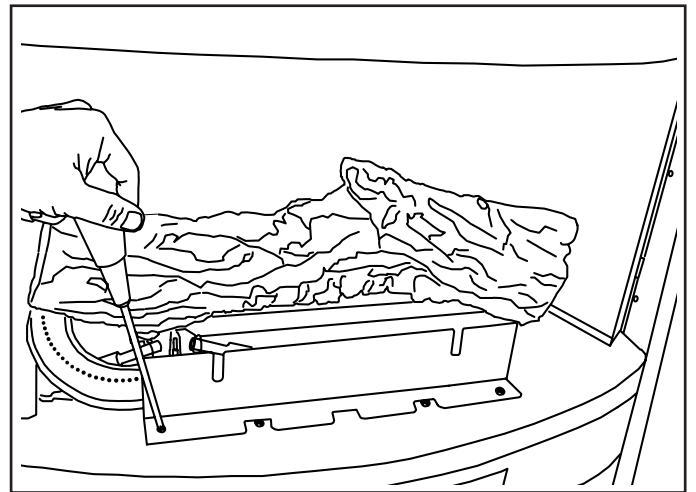
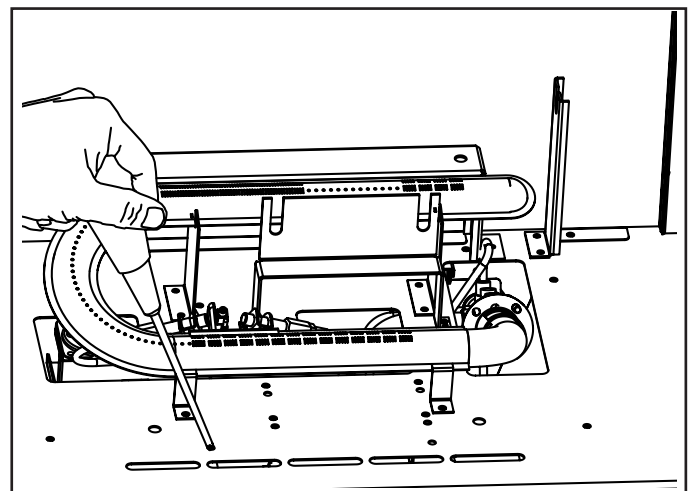


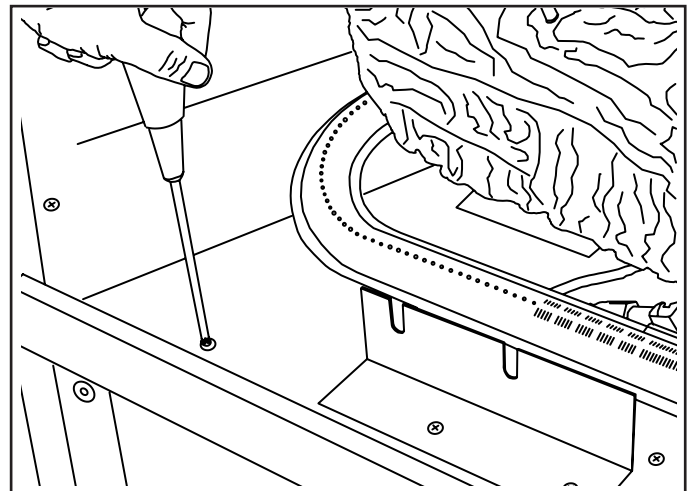
Fig. 29

29. Re-fix Control Panel. See Fig. 29. For Model # CRHSD25RT (Item # 0328253), and PCSD25RT only.



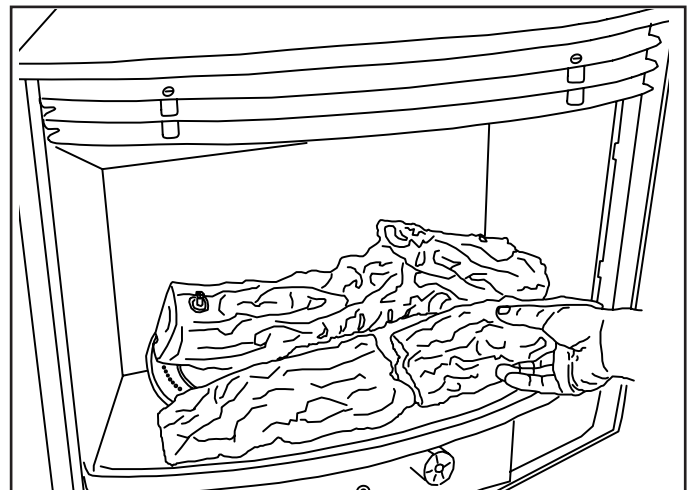
30. Re-fix Control Panel. See Fig. 30. For Model # CRHFD400RT-M-M (Item # 0328248), and FBD400 series only.

Fig. 30



31. Lay the logs according to the original layout. Refer to manual for log layout. See Fig. 31. For Model # CRHQD250T (Item # 0293811), Q stove and BD32 series only.

Fig. 31



32. Lay back the logs according to the original layout, and shut the door. See Fig. 32. For Model # CRHFD400RT-M-M (Item # 0328248), and FBD400 series only.

Fig. 32

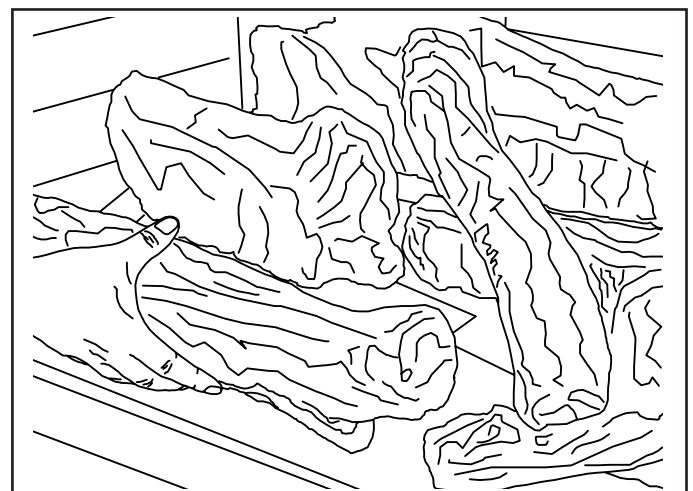


Fig. 33

33. Lay back the logs according to the original layout, and shut the door. See Fig. 33. For Model # CRHSD25RT (Item # 0328253) only.

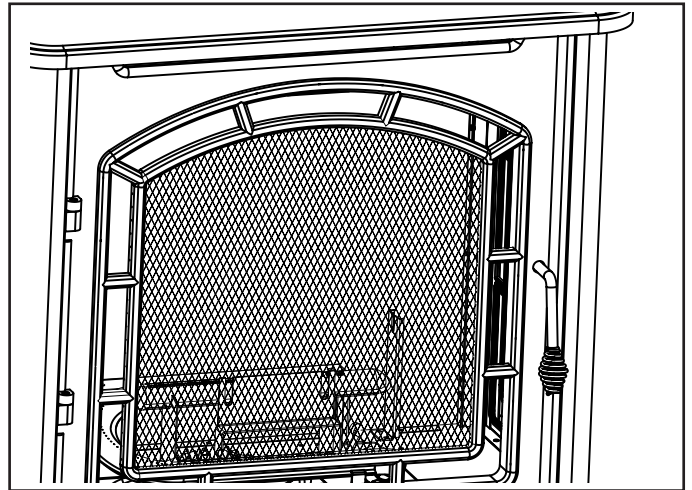


Fig. 34

34. Lay back the logs according to the original layout, and shut the door. See Fig. 34. For Model # PCSD25RT only.

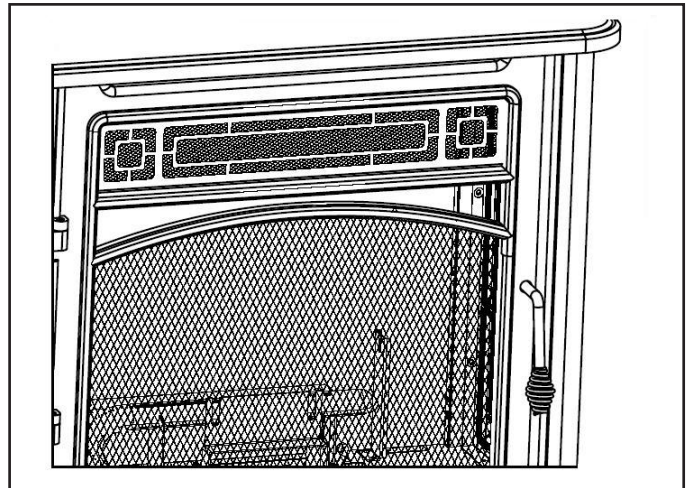
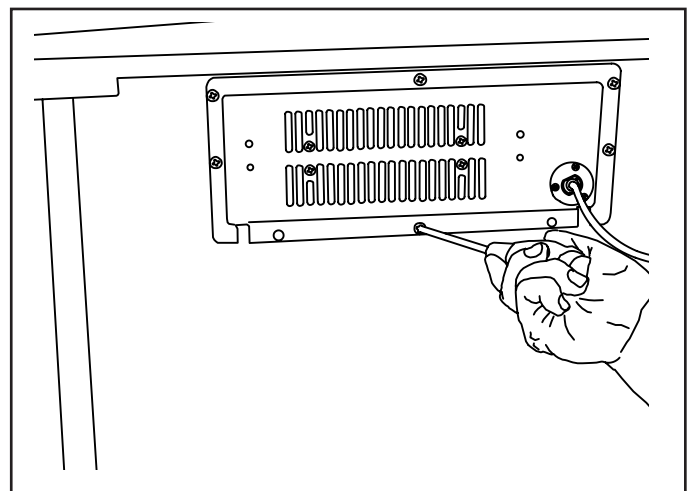
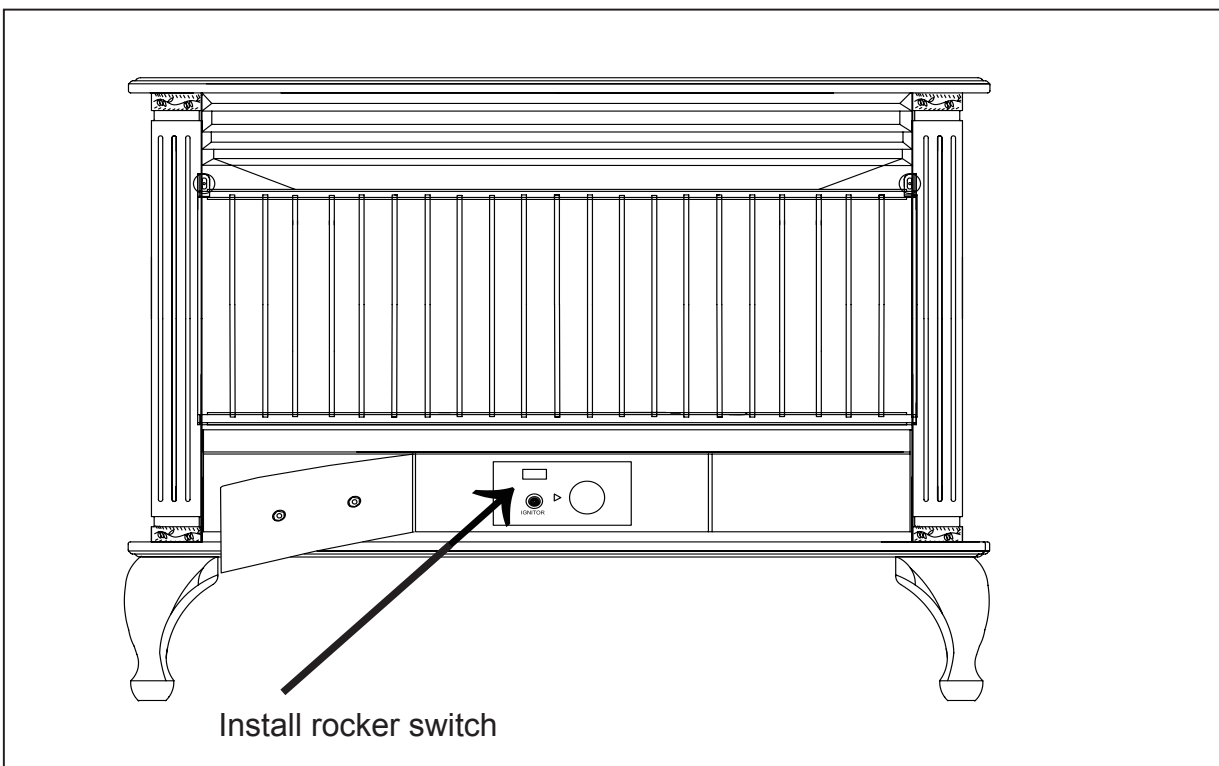
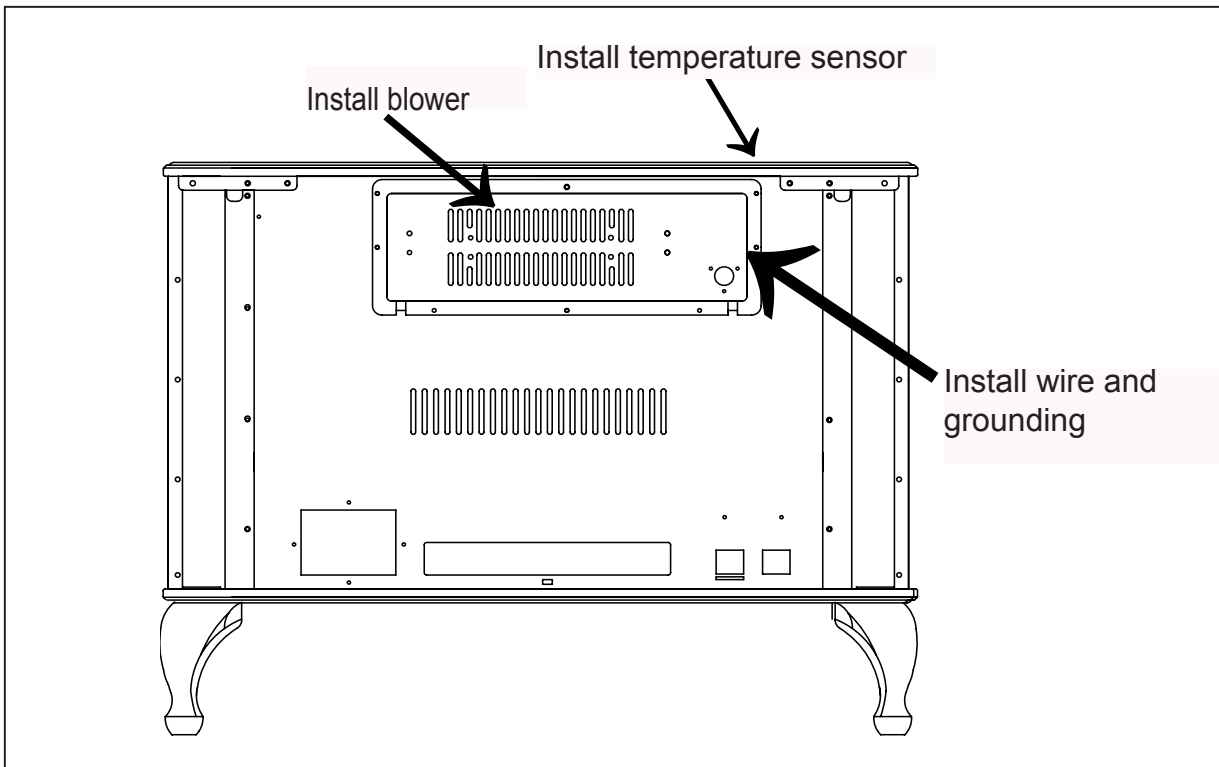


Fig. 35

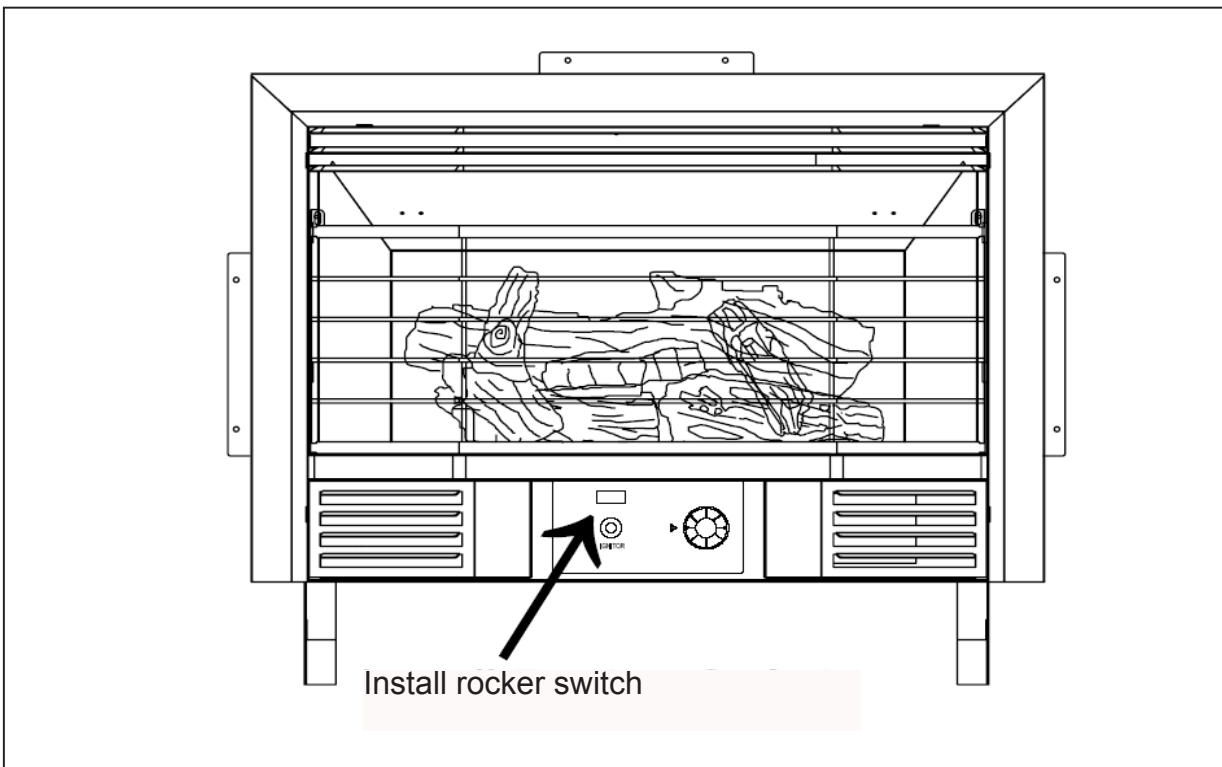
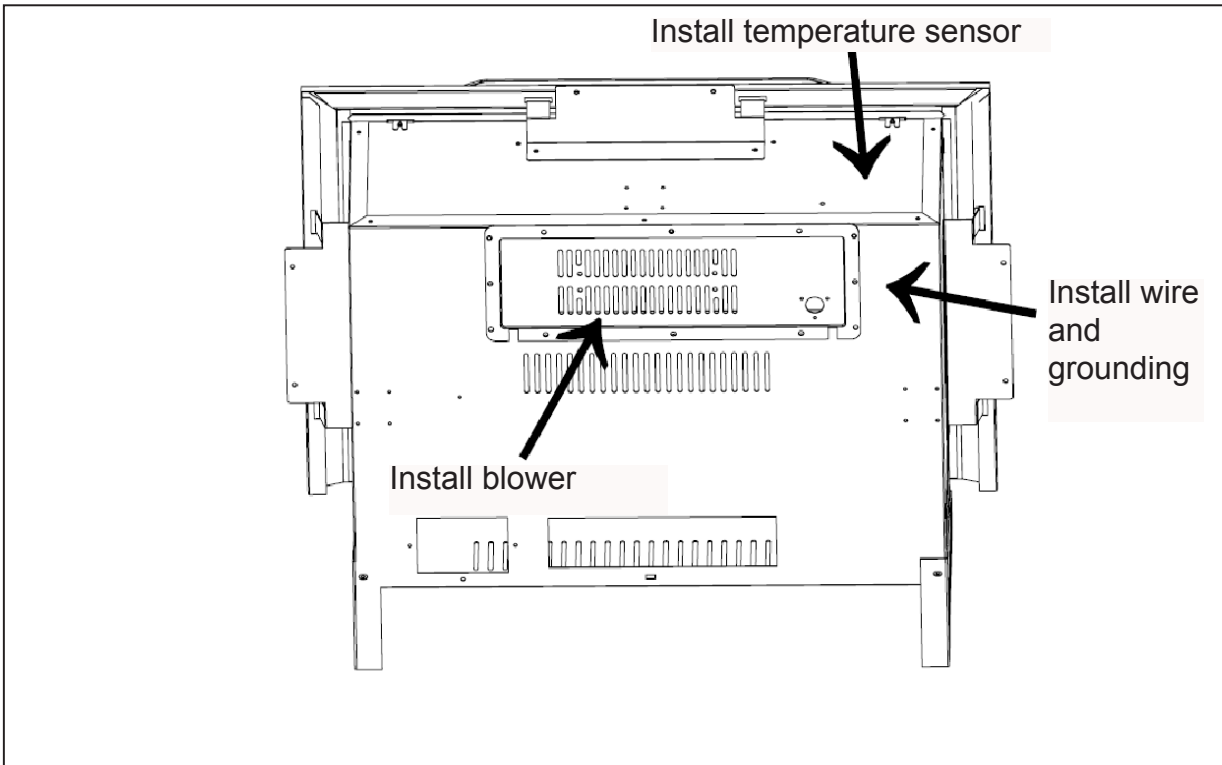
35. Check all the wires, then re-attach blower access panel to the fireplace. See Fig. 35



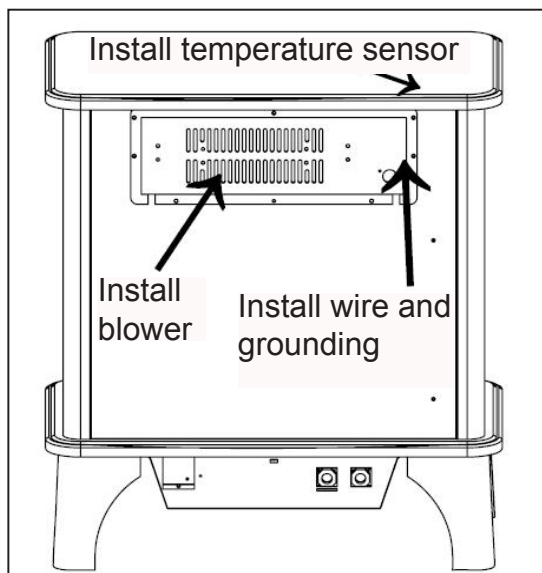
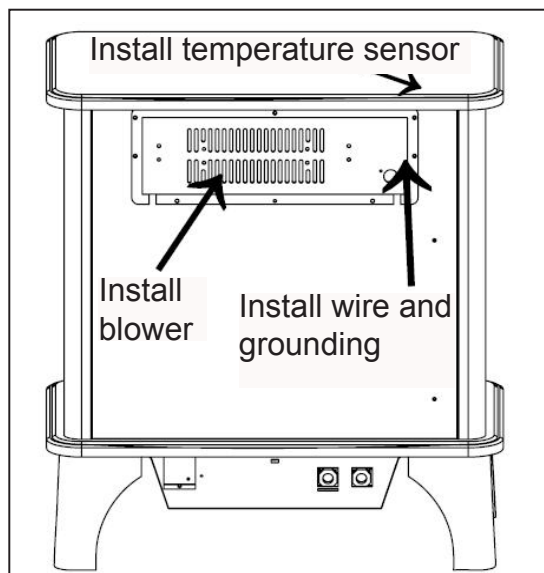
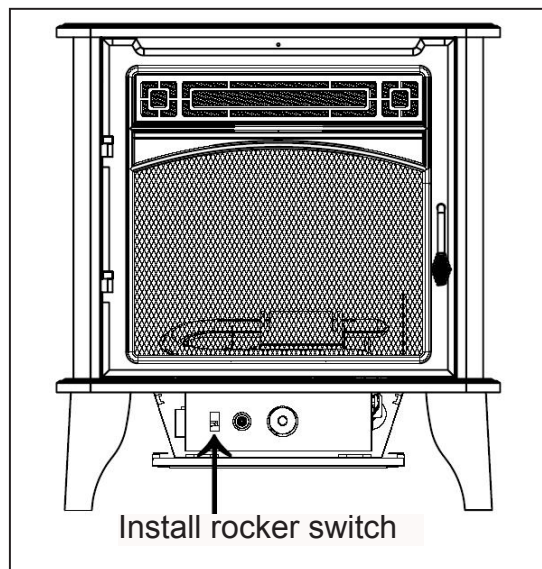
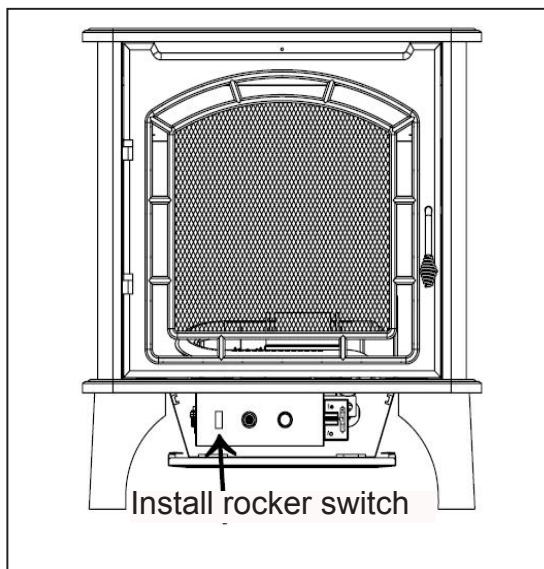
Installation blower assembly position For Model # CRHQD250T (Item # 0293811), and Q stove.



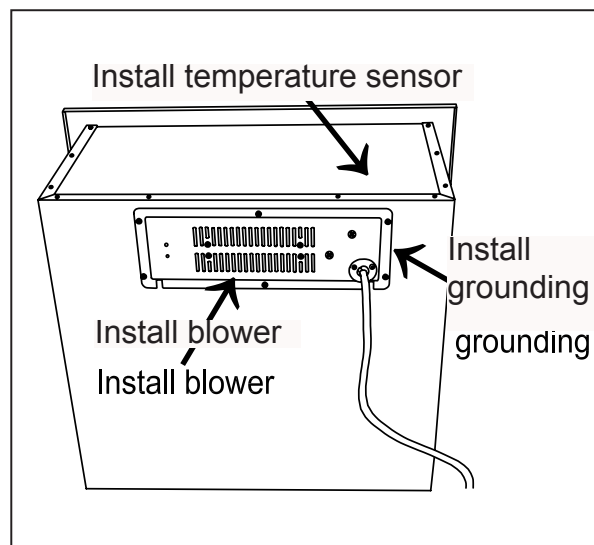
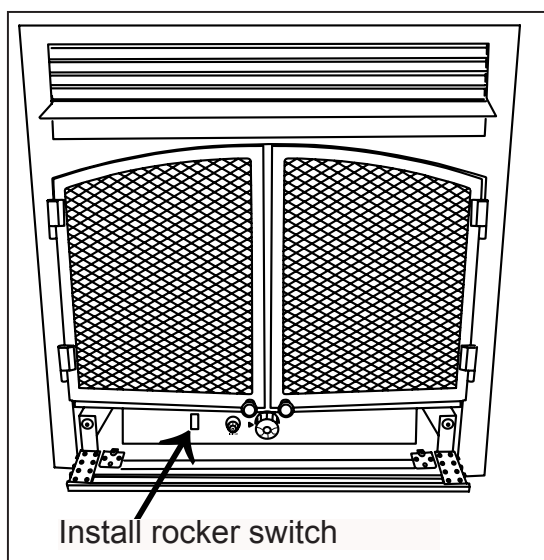
Installation blower assembly position For Model BD23 series



Installation blower assembly position For Model # CRHSD25RT (Item # 0328253), and PCSD25RT.



Installation blower assembly position For Model # CRHFD400RT-M-M (Item # 0328248), and FBD400



ELECTRICAL CONNECTION

A 15 amp, 120 Volt, 60 Hz circuit with a properly grounded outlet is required. Preferably, the fireplace will be on a dedicated circuit as other appliances on the same circuit may cause the circuit breaker to trip or the fuse to blow when the heater is in operation. Plan the installation to avoid the use of an extension cord. Extension cords are for temporary use only. If an extension cord must be used, it must be UL/CSA certified, rated at 10A (1250W), 125V maximum with 16 AWG minimum and constructed of two current carrying conductors with ground. A heavy duty extension cord with the shortest length possible for the connection is recommended and must not be longer than 50 ft. (15.2 m). Do not coil or cover the extension cord.

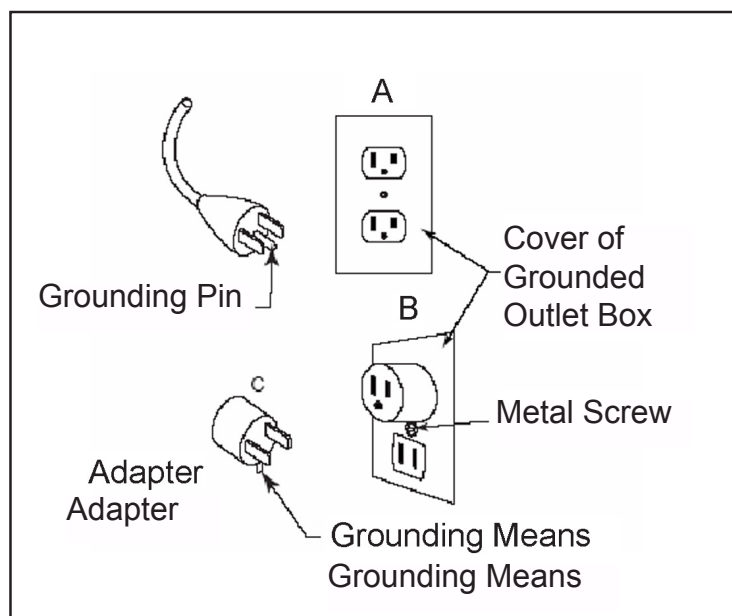
! Electrical outlet wiring must comply with local building codes and other applicable regulations to reduce the risk of fire, electrical shock and injury to persons.

! Do not use this fireplace if any part of it has been under water. Immediately call a qualified service technician to inspect the fireplace and replace any part of the electrical system which has been under water.

GROUNDING INSTRUCTIONS

This heater is for use on 120 volts. The cord has a plug as shown at A in Fig. 36. An adapter as shown at C is available for connecting three-blade grounding-type plugs to two-slot receptacles. The green grounding lug extending from the adapter must be connected to a permanent ground such as a properly grounded outlet box. The adapter should not be used if a three-slot grounded receptacle is available.

Fig. 36



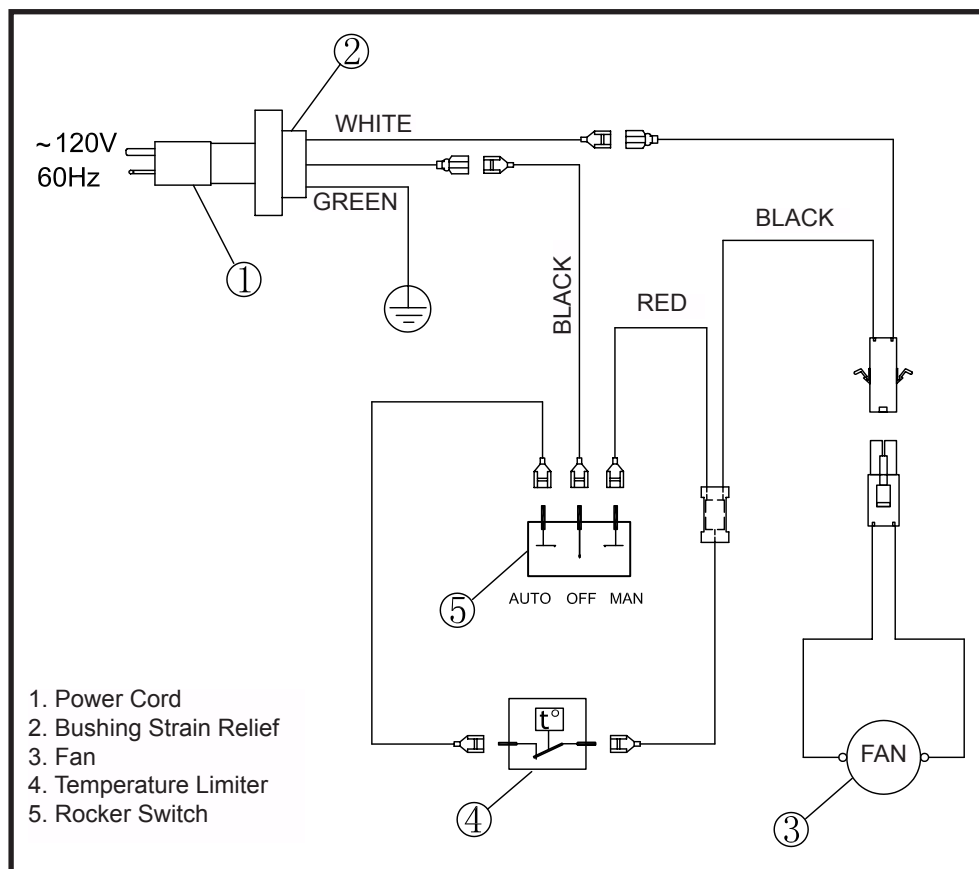
OPERATING INSTRUCTIONS

Using rocker switch, turn blower on and check for operation. Turn on rocker switch to the desired position. In the **MAN** position it will remain constantly on. **AUTO** position will be controlled by the temperature sensor. To stop the operation turn rocker switch to the **O** position.

ELECTRICAL WIRING DIAGRAM

Any electrical re-wiring of this appliance must be done by a qualified electrician. This wiring must be done in accordance with local codes and/or in Canada with the current CSA C22.1 Canadian Electrical Code, and for US installations, the National Electrical Code ANSI/NFPA NO 70.

⚠ If repairing or replacing any electrical component or wiring, the original wire routing, color coding and securing locations must be followed.



CARE AND MAINTENANCE

Always disconnect the appliance from the main power supply and allow it to cool before any servicing operation.

The motors used on the fan heater and flame blower are pre-lubricated for extended bearing life and require no further lubrication. However, periodic cleaning/vacuuming of the appliance around the air intake and exhaust, as well as the fan heater is recommended. For heavy or continuous use, periodic cleaning must be done more frequently. If the heater blows alternating cold and warm air, check the fan for free movement and for debris restricting air flow. If the fan does not move freely, the unit must be turned off and the fan replaced immediately in order to prevent further damage to the unit.

REPLACEMENT PARTS

NOTE: Use only original replacement parts. This will protect your warranty coverage for parts replaced under warranty.

PARTS UNDER WARRANTY

Call Customer Service toll free at (1-877-886-5989) for referral information.

When calling Customer Service, have ready:

- Your name
- Your address
- Model and serial number of your heater
- How heater was malfunctioning
- Type of gas used (Propane/LP or Natural gas/NG)
- Purchase date
- Usually, we will ask you to return the defective part to the factory

PARTS NOT UNDER WARRANTY

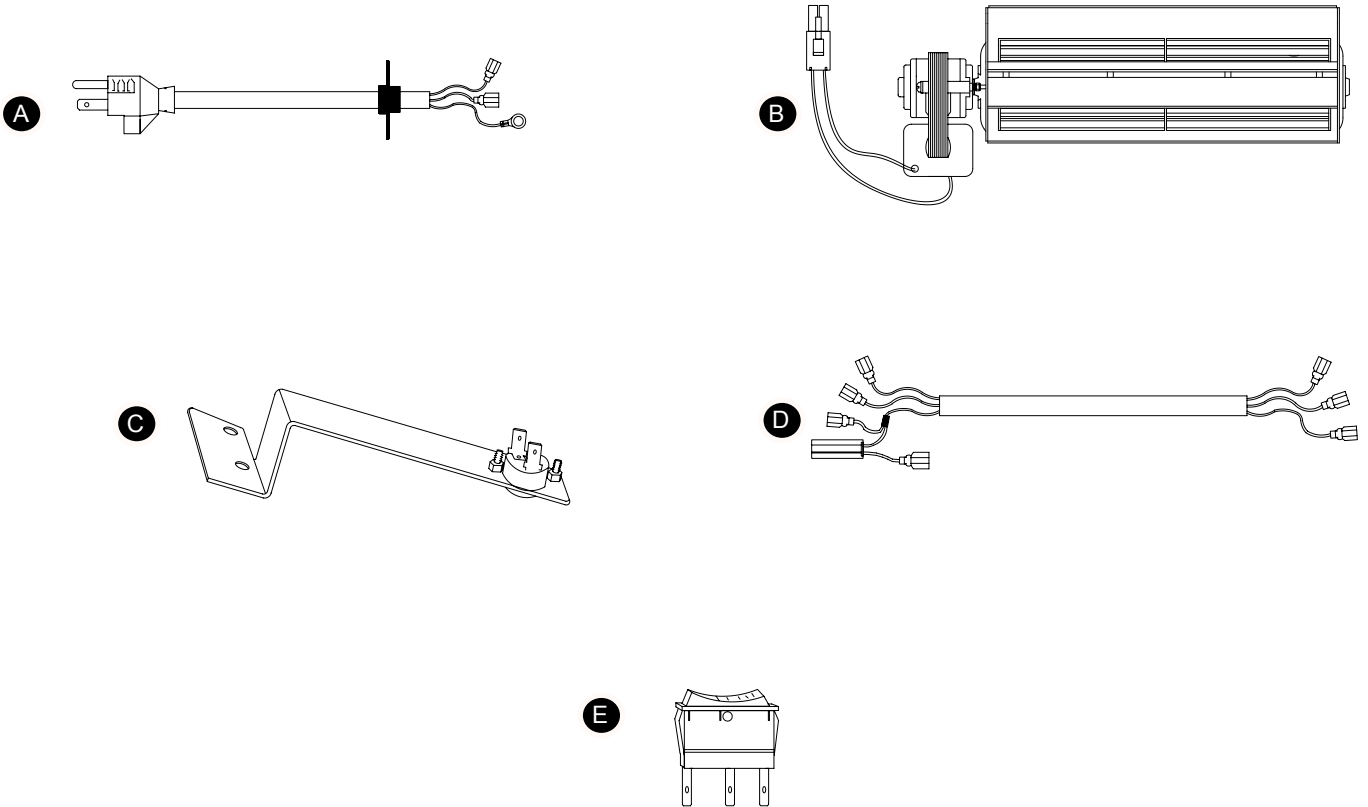
Call Customer Service toll free at (1-877-886-5989) for referral information.

When calling Customer Service have ready:

- Model number of your heater
- The replacement part number

REPLACEMENT PARTS LIST

For replacement parts, call our customer service department at 1-877-886-5989,
8:00 a.m - 4:30 p.m., EST, Monday - Friday or e-mail customerservice@usaprocom.com.



PART	PART NUMBER	DESCRIPTION	Quantity
A	XB001-01	Power Cord	1
B	XB002-01Q	Blower	1
C	XB003-01	Temperature Sensor	1
D	XB004-01Q	Connect Wire	1
E	PF06-0400-A	Rocker Switch	1

WARRANTY INFORMATION

Keep This Warranty

IMPORTANT: We urge you to fill your warranty registration card within TEN(10) days of date of installation, complete with the entire serial number which can be found on the rating plate. Retain this portion of the card for your record.

Always specify model and serial numbers when communicating with customer service.

We reserve the right to amend these specifications at any time without notice. The only warranty applicable is our standard written warranty. We make no other warranty, expressed or implied.

LIMITED WARRANTY:

PRO-COM warrants this product to be free from defects in materials and components for TWO (2) years from the date of first purchase, provided that the product has been properly installed, operated and maintained in accordance with all applicable instructions, to make a claim under this warranty, the Bill of Sale or cancelled check must be presented.

RESPONSIBILITY OF OWNER

This warranty is extended only to the original retail purchaser. This warranty covers the cost of part(s) required to restore this heater to proper operating condition and an allowance for labor when provided by a PRO-COM Authorized Service Center. Warranty part(s) MUST be obtained through authorized dealers of this product and/or PRO-COM who will provide original factory replacement parts. Failure to use original factory replacement parts voids this warranty. The heater MUST be installed by a qualified installer in accordance with all local codes and instructions furnished with the unit.

WHAT IS NOT COVERED

This warranty does not apply to parts that are not in original condition because of normal wear and tear or parts that fail or become damaged as a result of misuse, accidents, lack of proper maintenance or defects caused by improper installation. Travel, diagnostic cost, labor, transportation and any and all such other costs related to repairing a defective heater will be the responsibility of the owner.

TO THE FULL EXTENT ALLOWED BY THE LAW OF THE JURISDICTION THAT GOVERNS THE SALE OF THE PRODUCT, THIS EXPRESS WARRANTY EXCLUDES ANY AND ALL OTHER EXPRESSED WARRANTIES AND LIMITS THE DURATION OF ANY AND ALL IMPLIED WARRANTIES. INCLUDING WARRANTIES OF MERCHANTABILITY AND FITNESS FOR A PARTICULAR PURPOSE TO TWO (2) YEARS ON ALL COMPONENTS FROM THE DATE OF FIRST PURCHASE. PRO-COM'S LIABILITY IS HEREBY LIMITED TO THE PURCHASE PRICE OF THE PRODUCT AND PRO-COM SHALL NOT BE LIABLE FOR ANY OTHER DAMAGES WHATSOEVER INCLUDING INDIRECT, INCIDENTAL OR CONSEQUENTIAL DAMAGES.

Some states do not allow a limitation on how long an implied warranty lasts or an exclusion or limitation of accidental or consequential damages, the above limitation on implied warranties, or exclusion or limitation on damages may not apply to you.

This warranty gives you specific legal right, and you may also have other rights that vary from state to state.

Printed in China