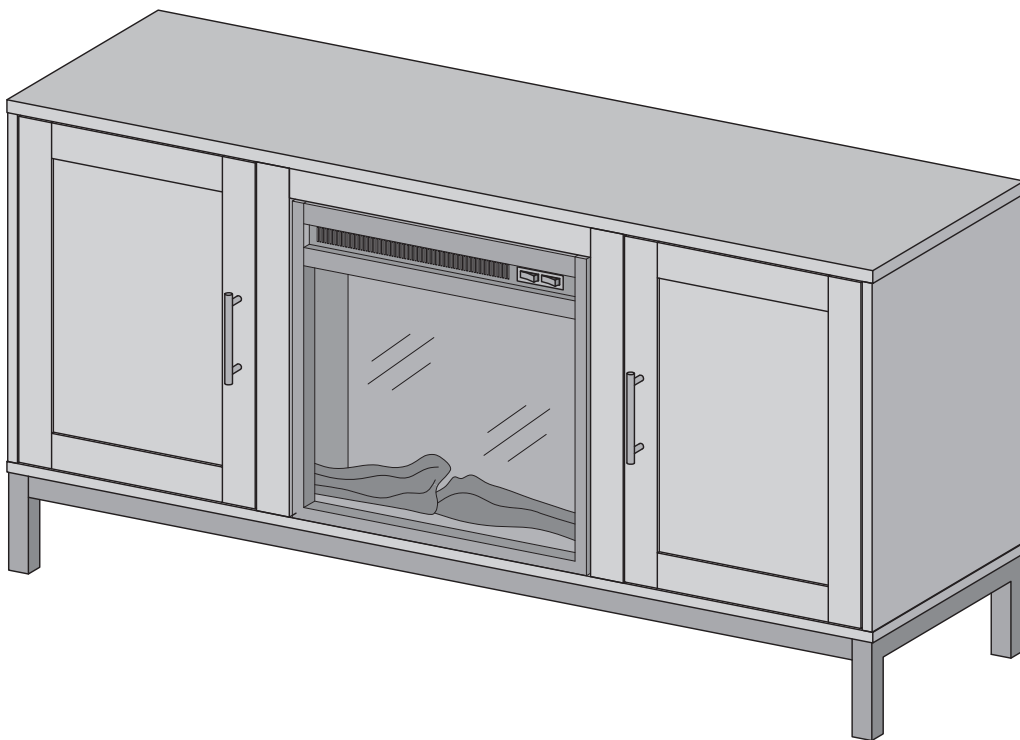


**W** Walker<sup>®</sup>  
Edison  
furniture company

Item # : W52FP18AV  
Assembly Instructions

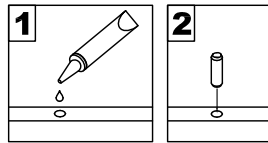


*For the most current instructions, additional assembly tips, to report damage or request parts, please visit our website at [www.walker-edison.com](http://www.walker-edison.com).*

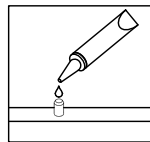
Revised 04/2017

# General Assembly Guidelines

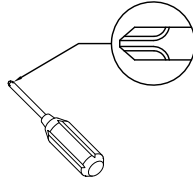
- I. Ensure that all parts and hardware are available before beginning assembly.
- II. Follow each step carefully to ensure the proper assembly of this product.
- III. Two people are recommended for ease in the assembly of this product.
- IV. The three main types of hardware used to assemble this product are : wood dowels , screws and bolts.
- V. The provided glue is to secure wood dowels in place . When first inserting dowels , locate the appropriate hole for the dowel , place a small amount of glue in the hole and insert the dowel . Wipe away excess glue immediately.



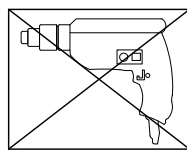
In future assembly steps when dowels are necessary to attach assembly parts together , place a small amount of glue on the end of the dowel before attaching parts together . Wipe away excess glue immediately.



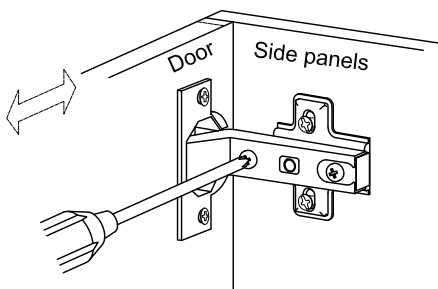
- VI. A Phillips head screwdriver is required for the assembly of this product .



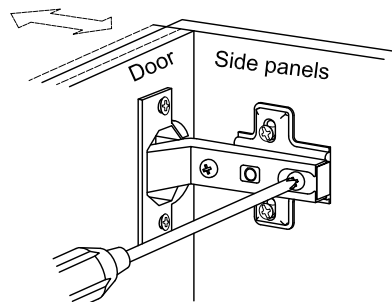
- VII. Power tools should not be used to assemble this product .



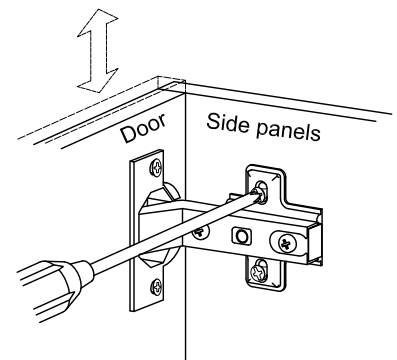
- VIII. Concealed hinges are three-way adjustable.



Horizontal  
by screw adjustment

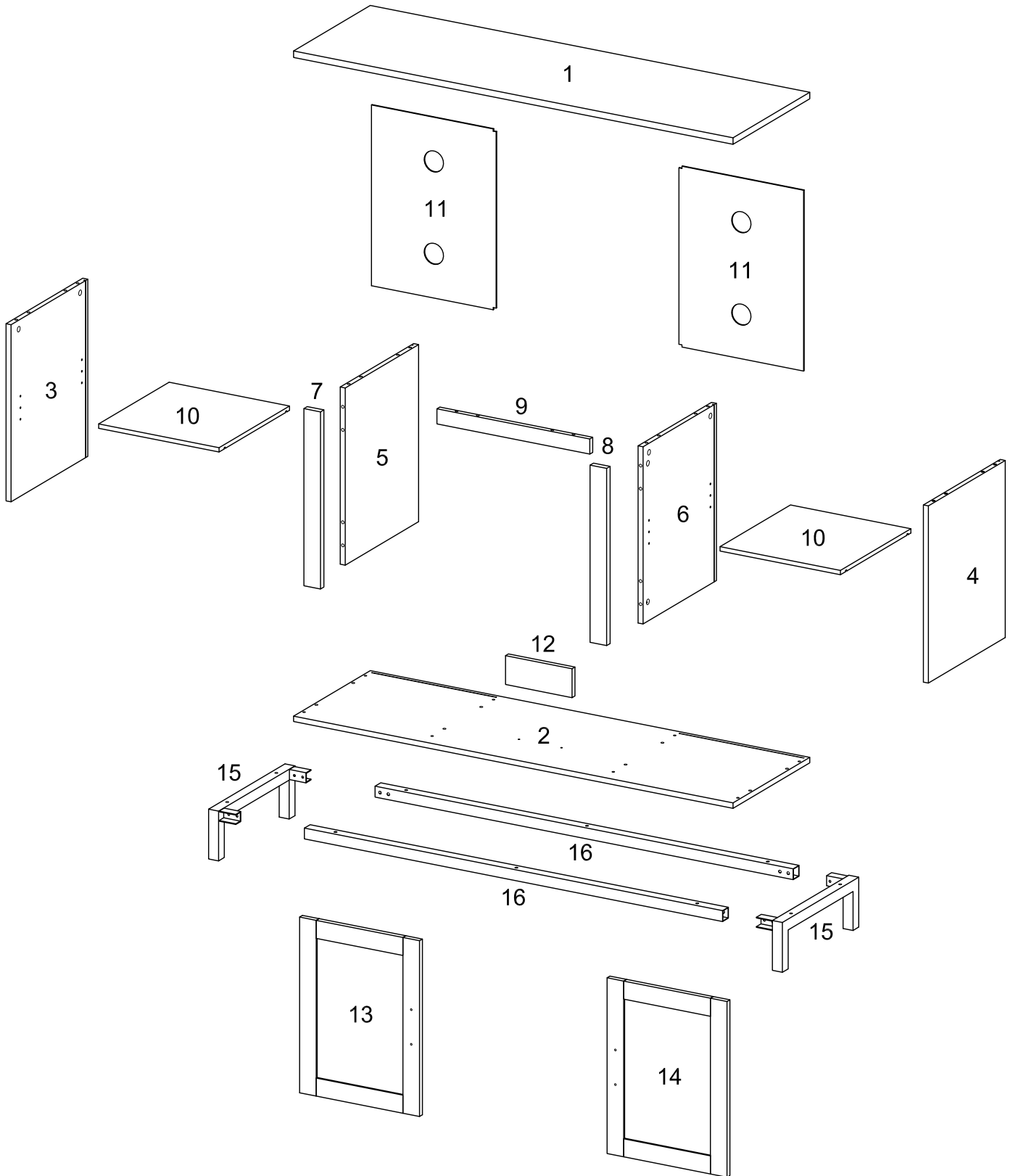


In-and-Out  
by loosening the hinge-arm  
mounting screw or via cam  
adjustment


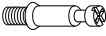

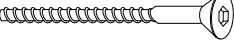



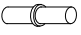

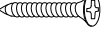
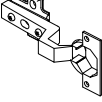
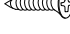
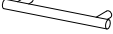
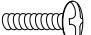


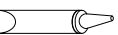
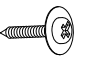



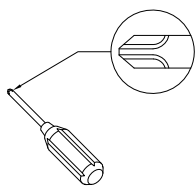
Vertical  
Via slots in the mounting  
plate or via cam adjustment

# Parts List



# Hardware List

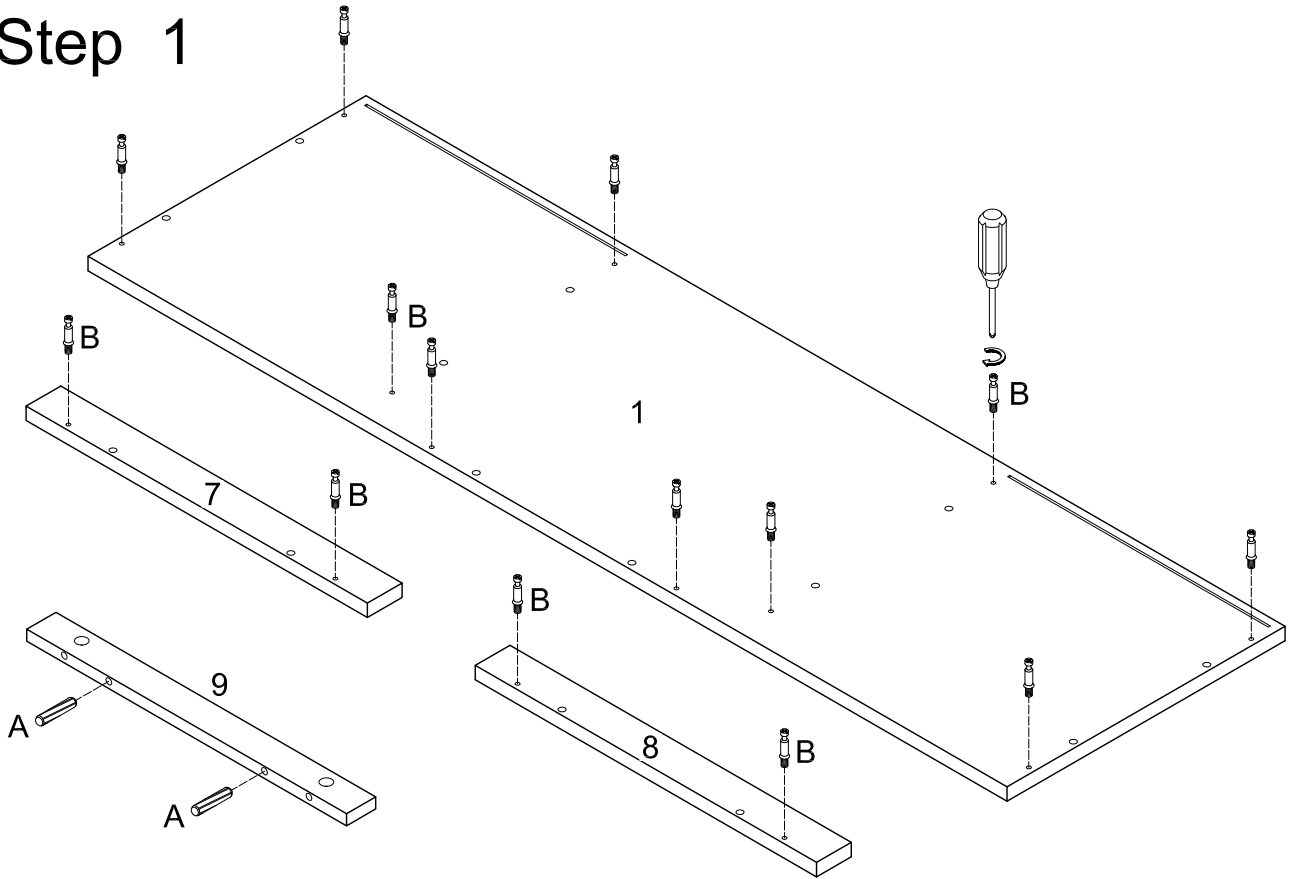
A		Ø8x30mm	Wooden dowel	22 pcs
B		Ø6x35mm	Cam bolt	16 pcs
C		Ø15x11mm	Cam lock	16 pcs
D		Ø6x50mm	Bolt	8 pcs
E		Ø6x40mm	Bolt	10 pcs
F		Ø6x12mm	Bolt	8 pcs
G		Ø6x16x1mm	Washer	18 pcs
H		Ø5x8x16mm	Shelf support pin	8 pcs
J			Plastic wedges	8 pcs
K		Ø3x17mm	Screw	8 pcs
L			Hinge	4 pcs
M		Ø3.5x14	Screw	16 pcs
N			Handle	2 pcs
P		Ø4x22mm	Bolt	4 pcs
Q		Ø30mm	Sticker	16 pcs
R		M4mm	Wrench	1 pc
S			Glue tube	1 pc
T		Ø3x12mm	Screw	6 pcs
U			Fireplace Insert (F18V66L)	1 pc



Philips head screwdriver required for assembly  
(not included)

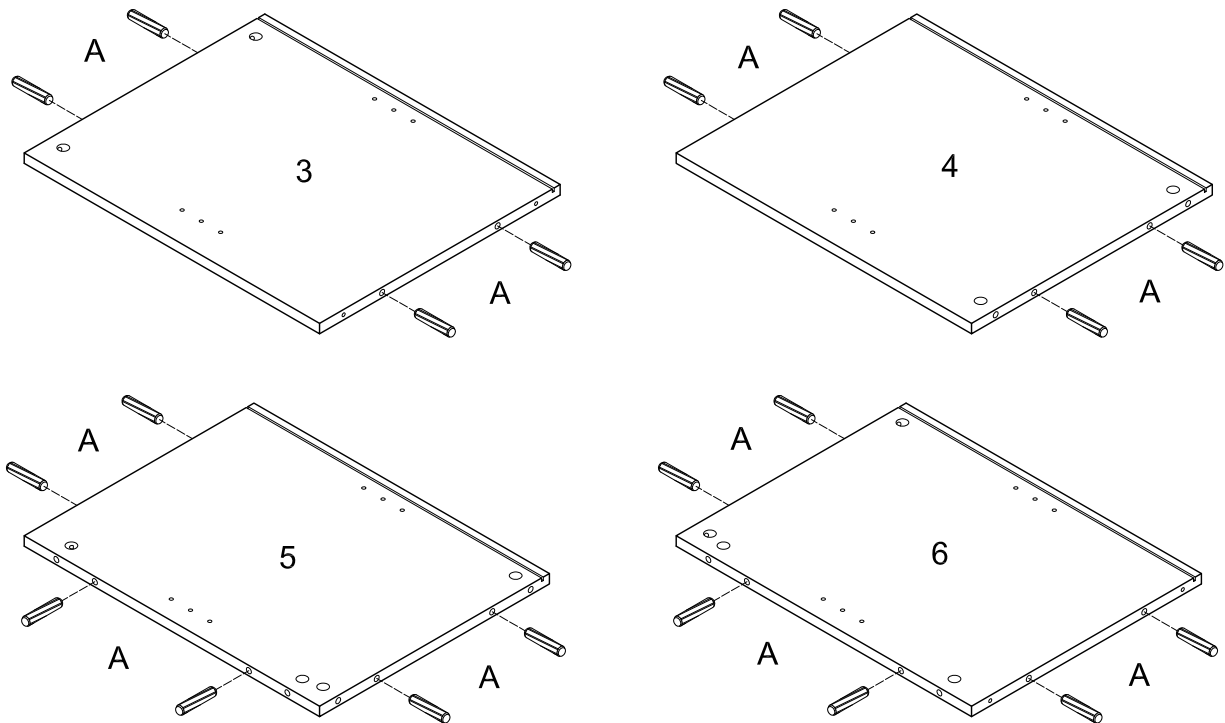
*The hardware quantities listed above are required for proper assembly.  
Some extra hardware may also have been included.*

# Step 1



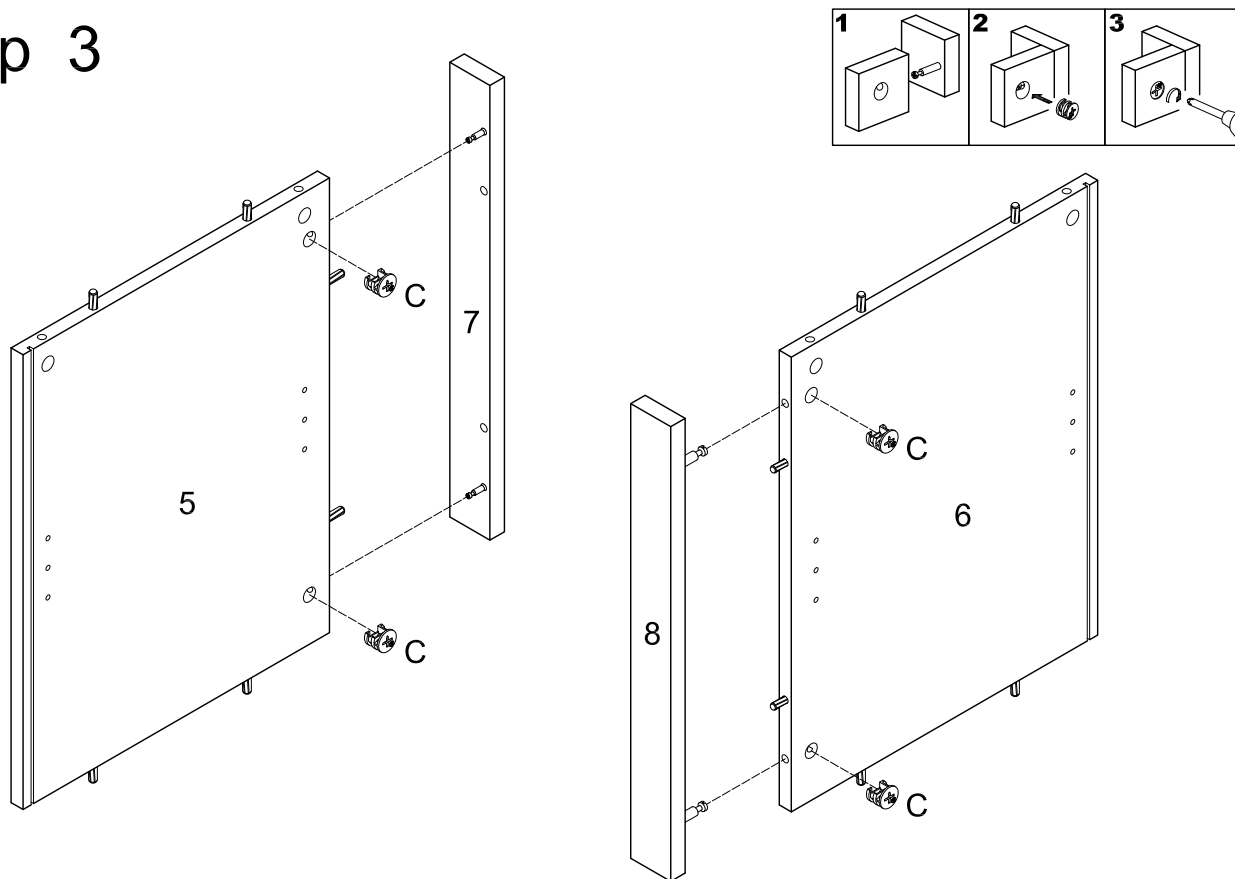
Insert wooden dowel (A) into fireplace faceplate (9). Secure cam bolt (B) to fireplace faceplate (7,8) and top panel (1).

# Step 2



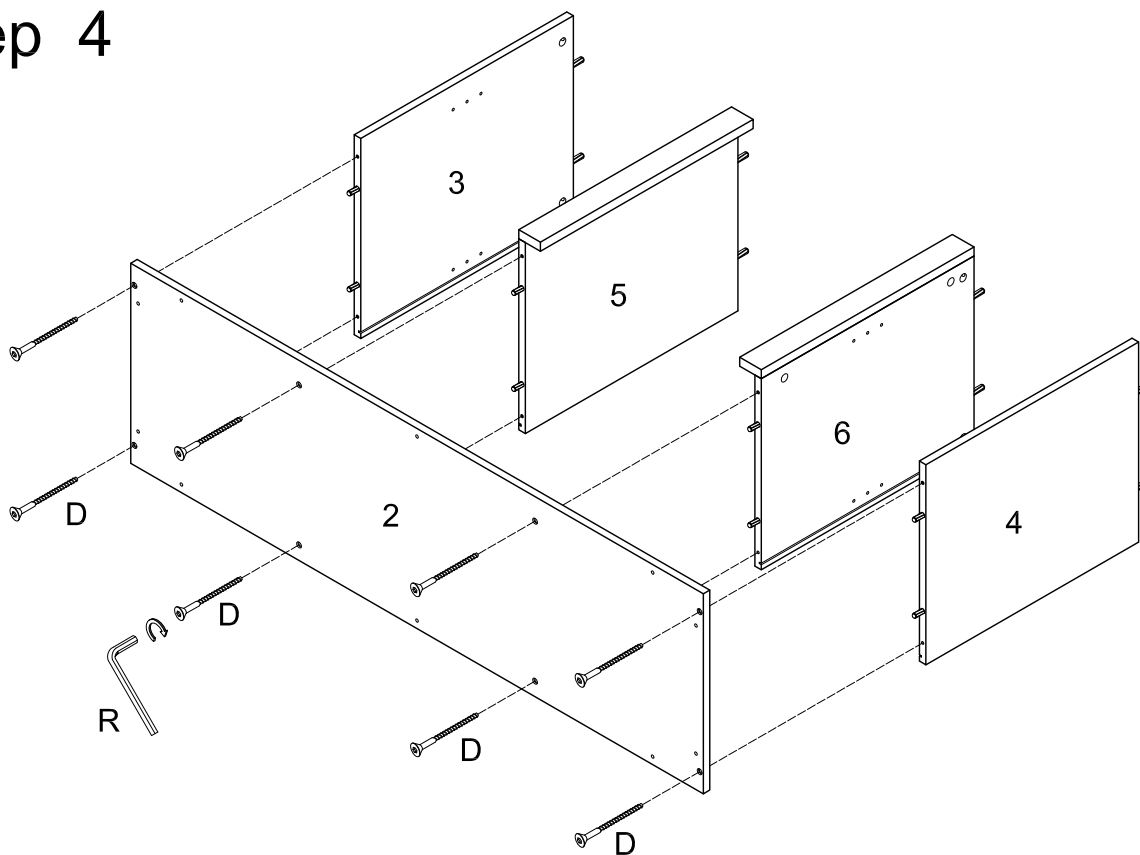
Insert wooden dowel (A) into side panel (3,4,5,6).

# Step 3



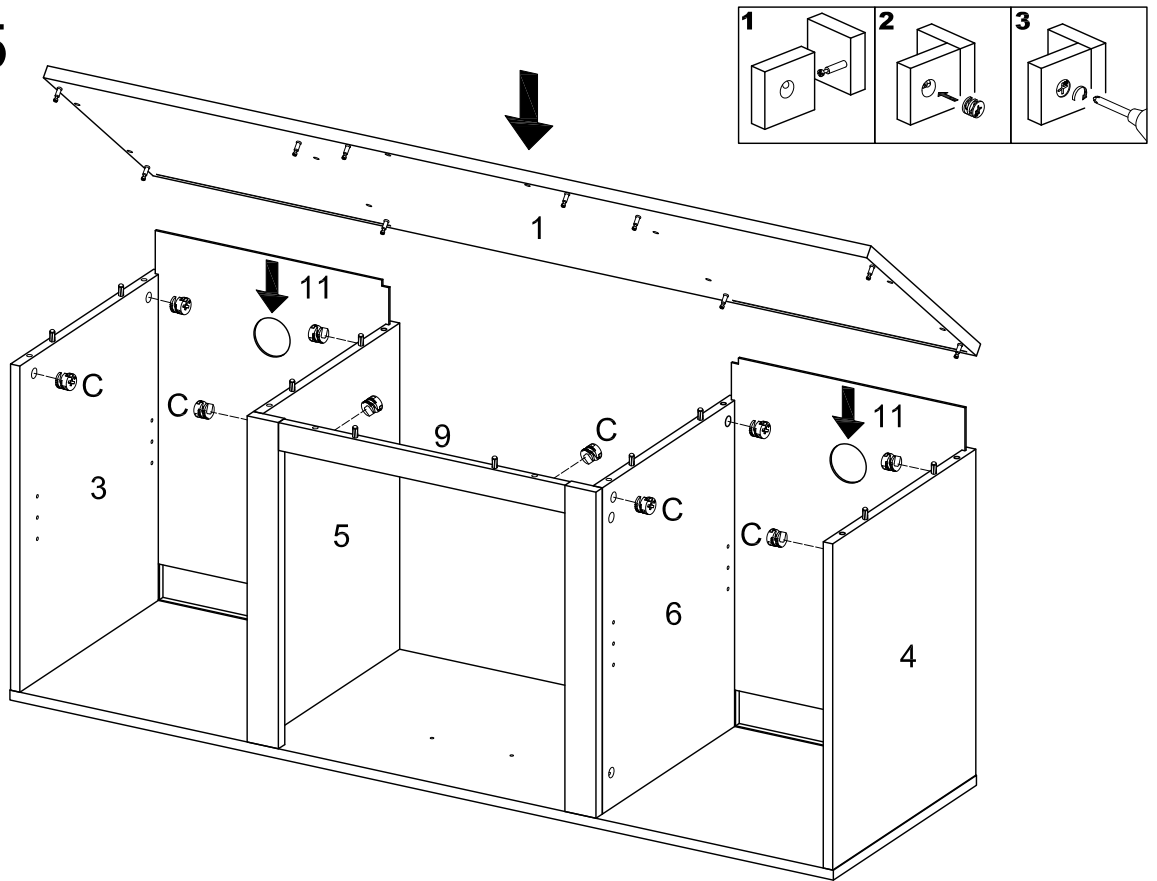
Insert fireplace faceplate (7,8) into side panel (5,6), then insert and secure cam lock (C) to side panel (5,6) to lock it.

# Step 4



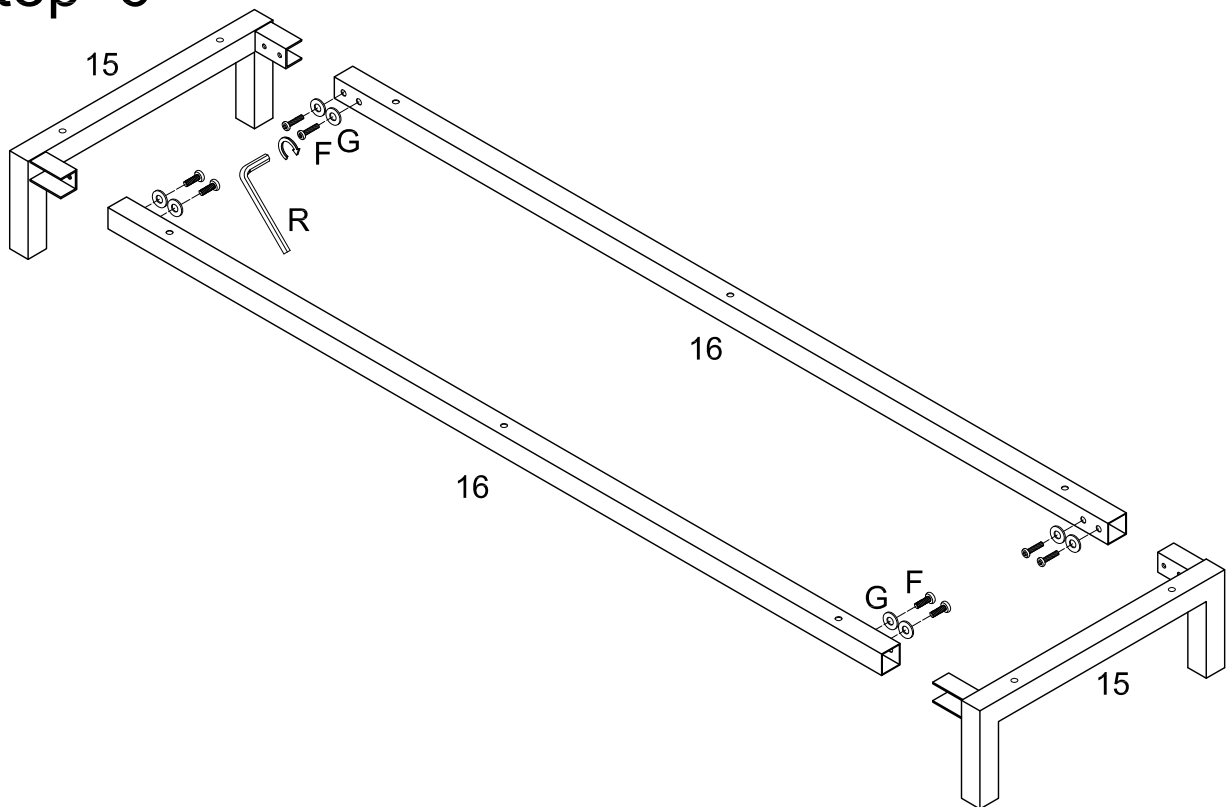
Use wrench (R) to secure bottom panel (2) to side panel (3,4,5,6) with bolt (D).

## Step 5



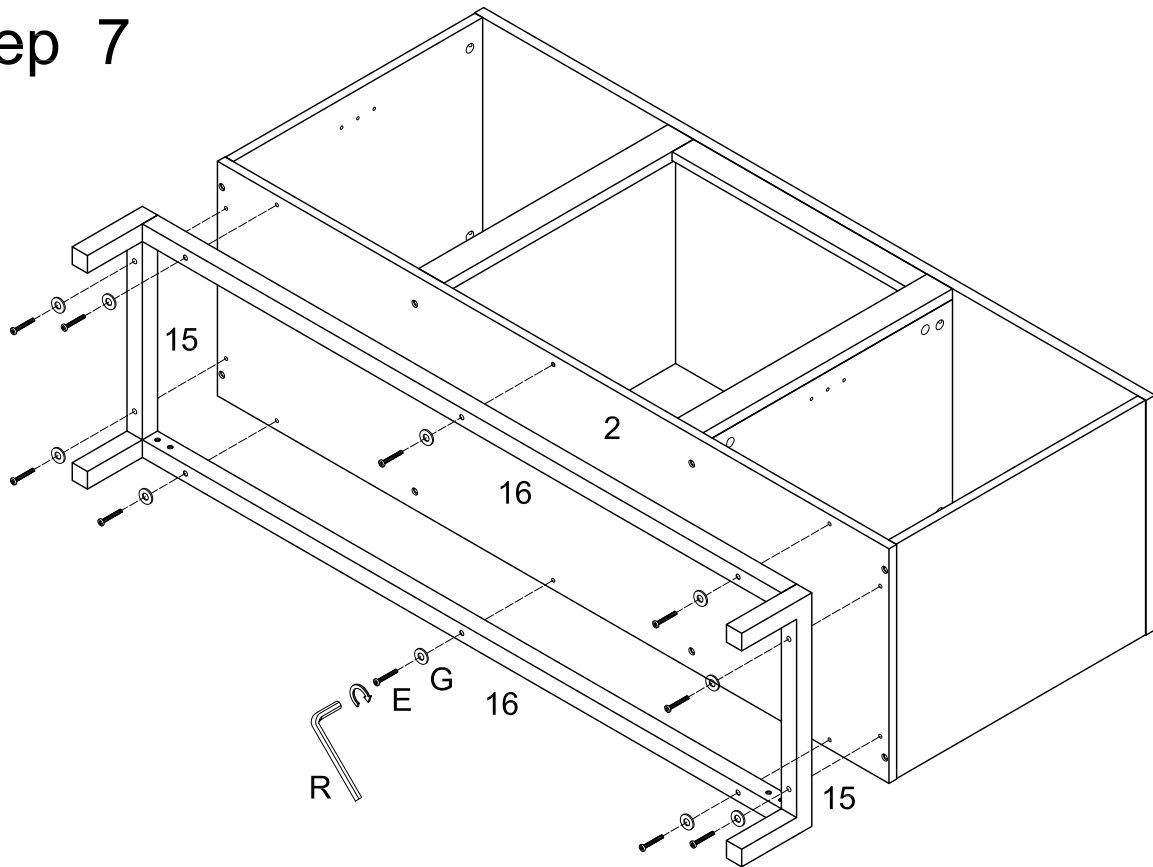
Slide back panels (11) into grooves. Insert top panel (1) into side panels (3,4,5,6) and fireplace faceplate (9), then insert and secure cam lock (C) to side panels (3,4,5,6) and fireplace faceplate (9) to lock it.

## Step 6



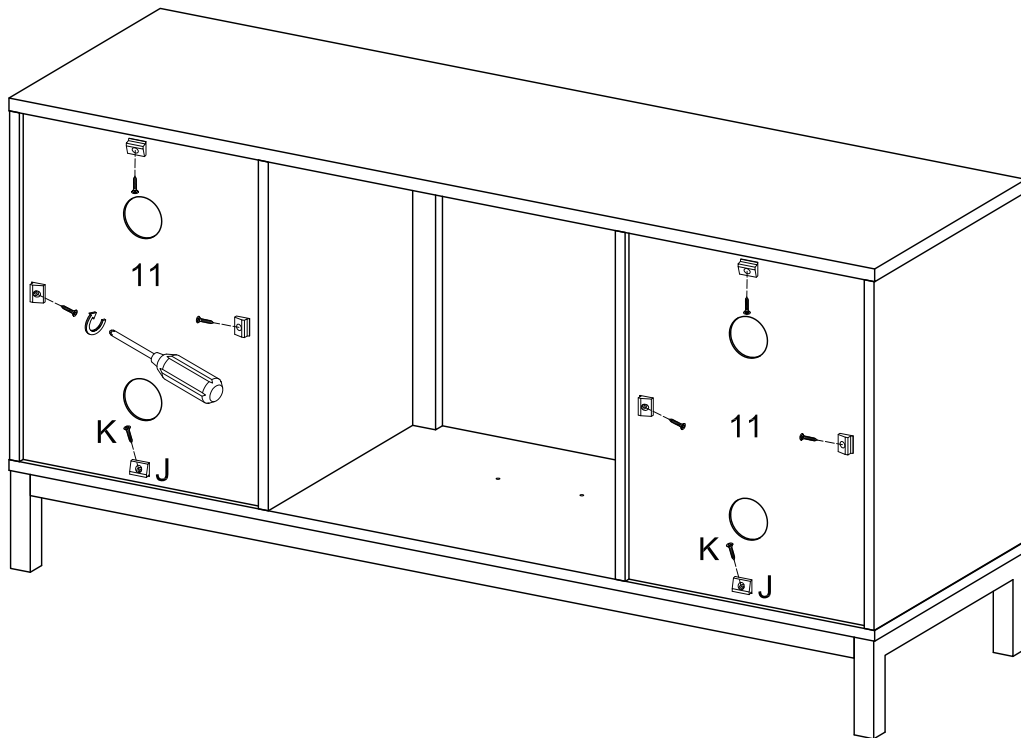
Insert leg (15) into support bar (16), then use wrench (R) to secure support bar (16) with washer (G) and bolt (F).

## Step 7



Use wrench (R) to secure leg (15) and support bar (16) to bottom panel (2) with washer (G) and bolt (E).

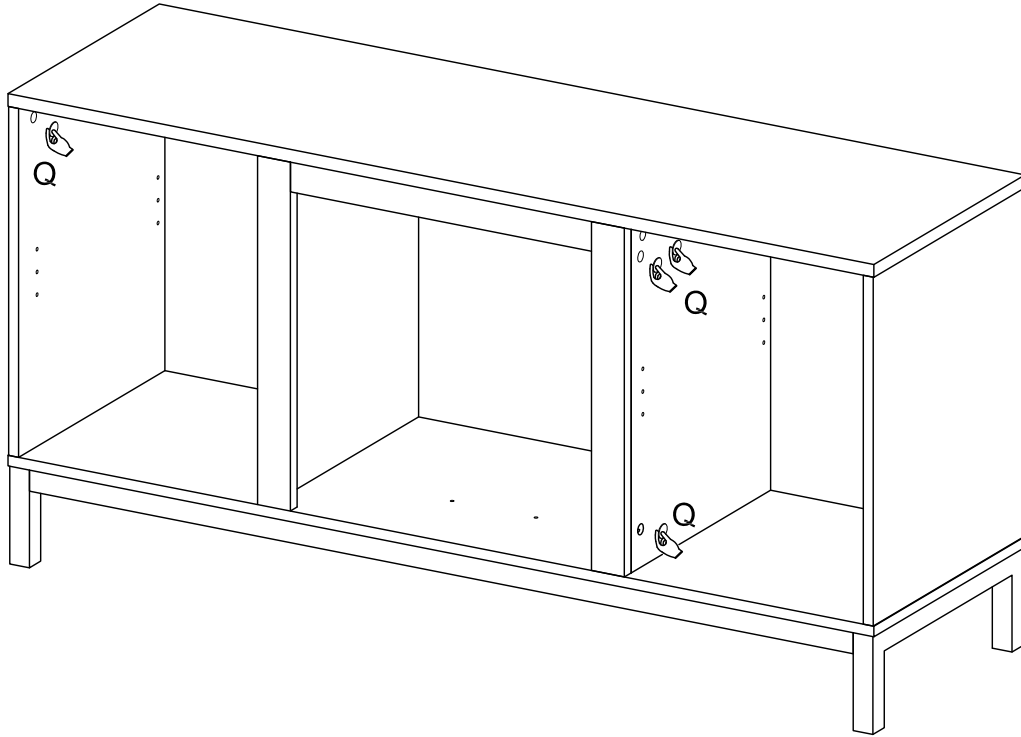
## Step 8



Secure plastic wedges to back panel (11) with screw (K).

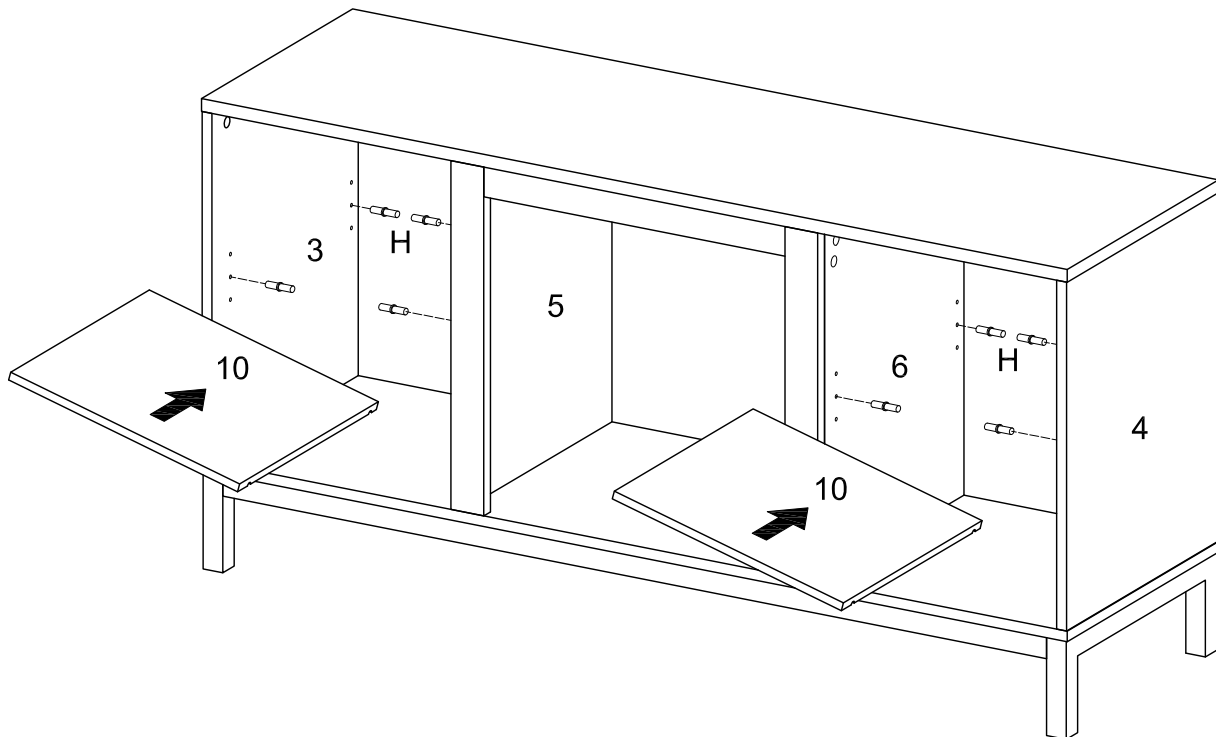


## Step 9



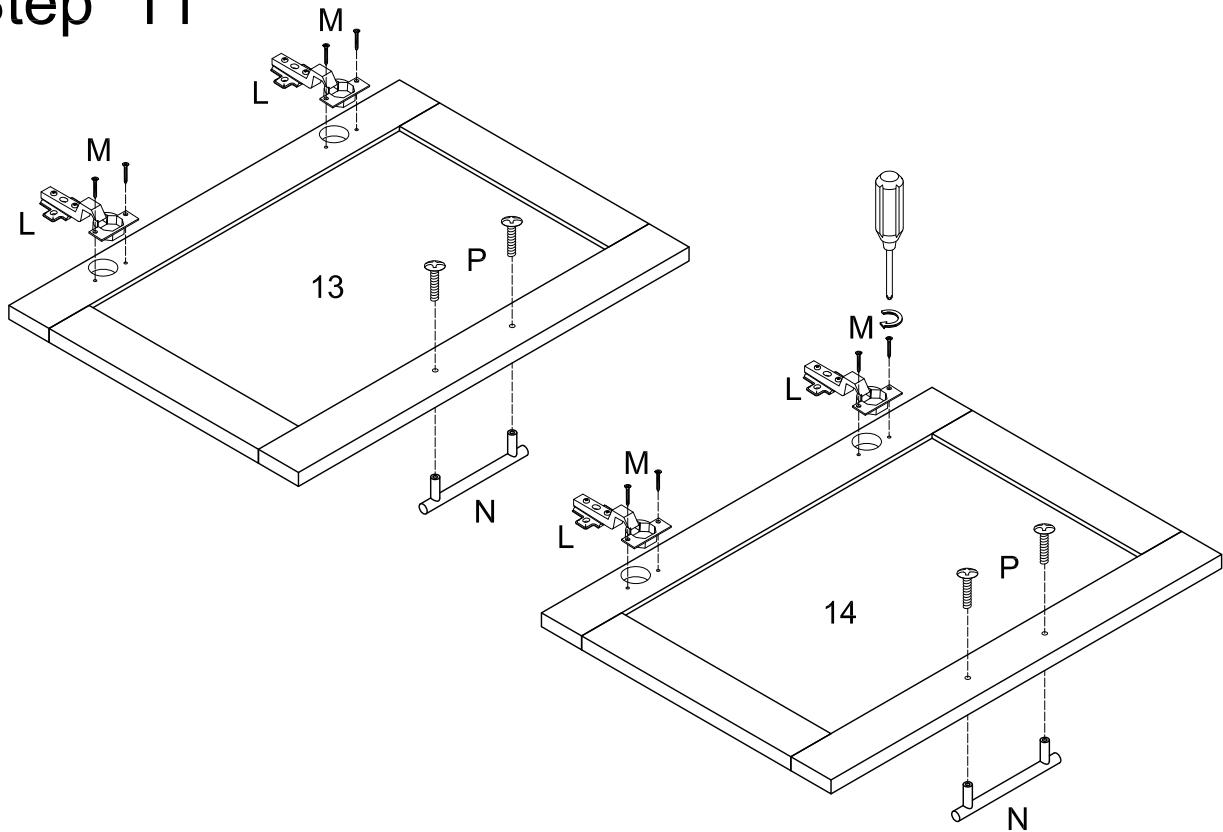
Place sticker (Q) over holes as per diagram.

## Step 10



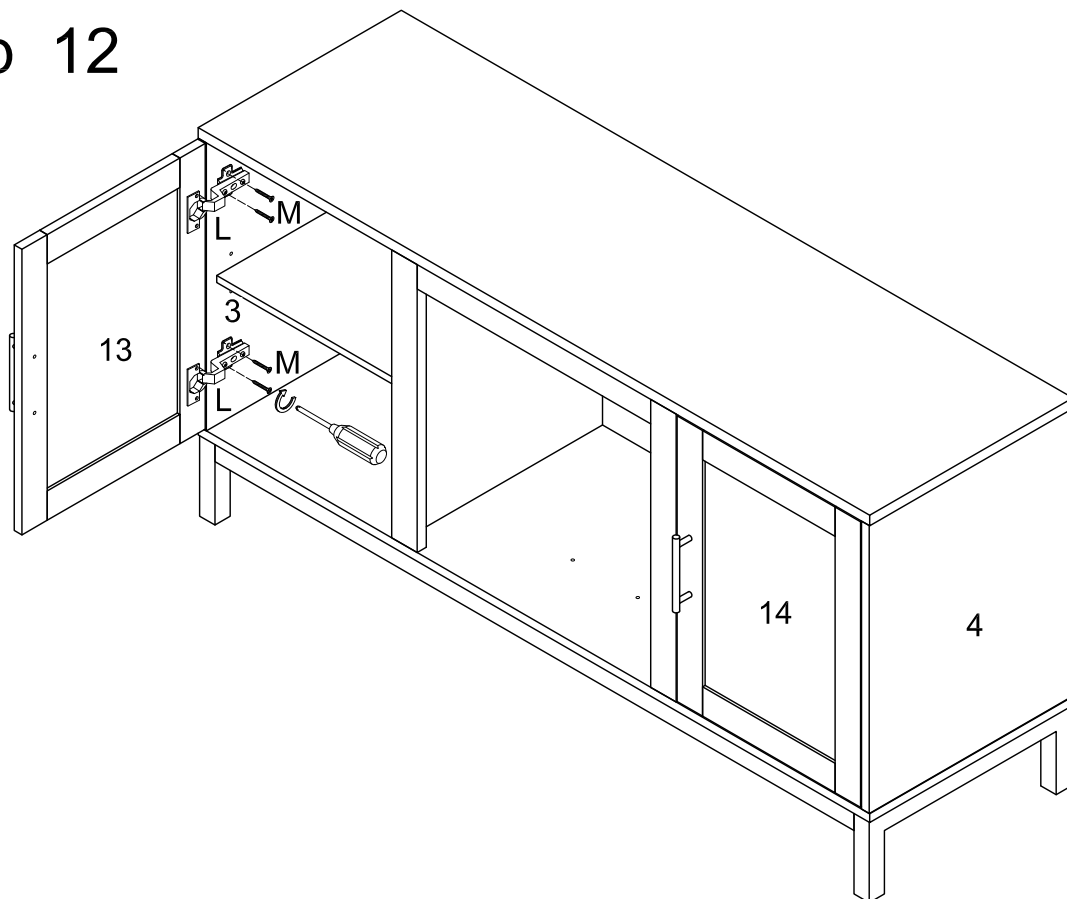
Insert shelf support pin (H) into side panel (3,4,5,6), place shelf (10) on top of shelf support pin (H).

## Step 11



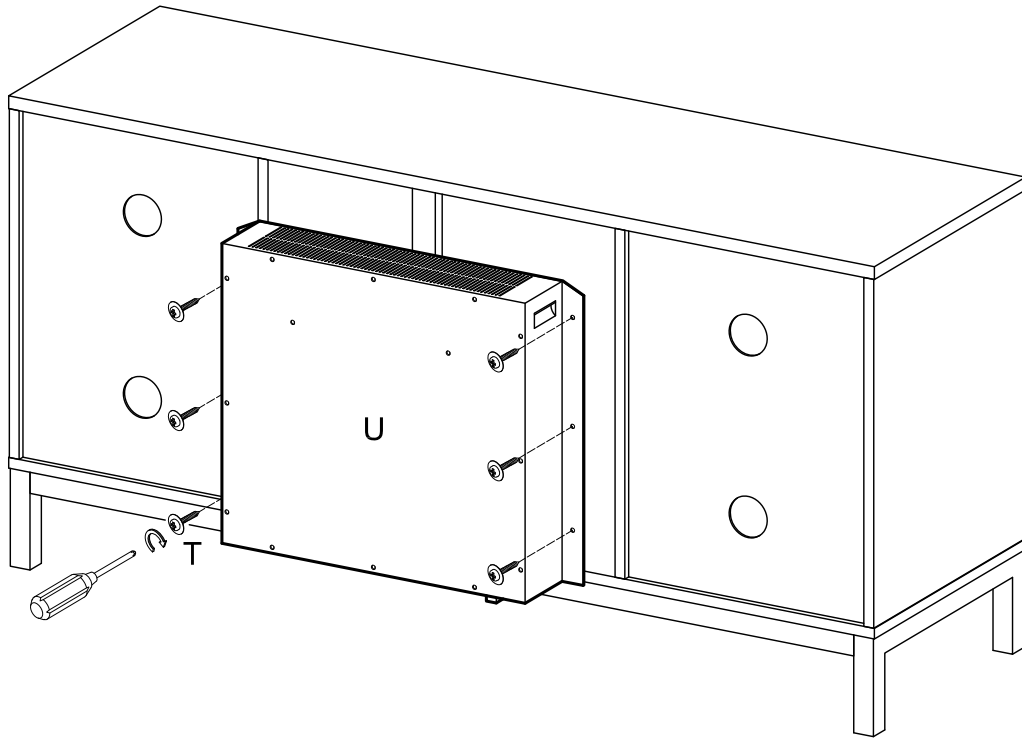
Attach handle (N) to door (13,14) with bolt (P). Secure hinge (L) to door (13,14) with screw (M).

## Step 12



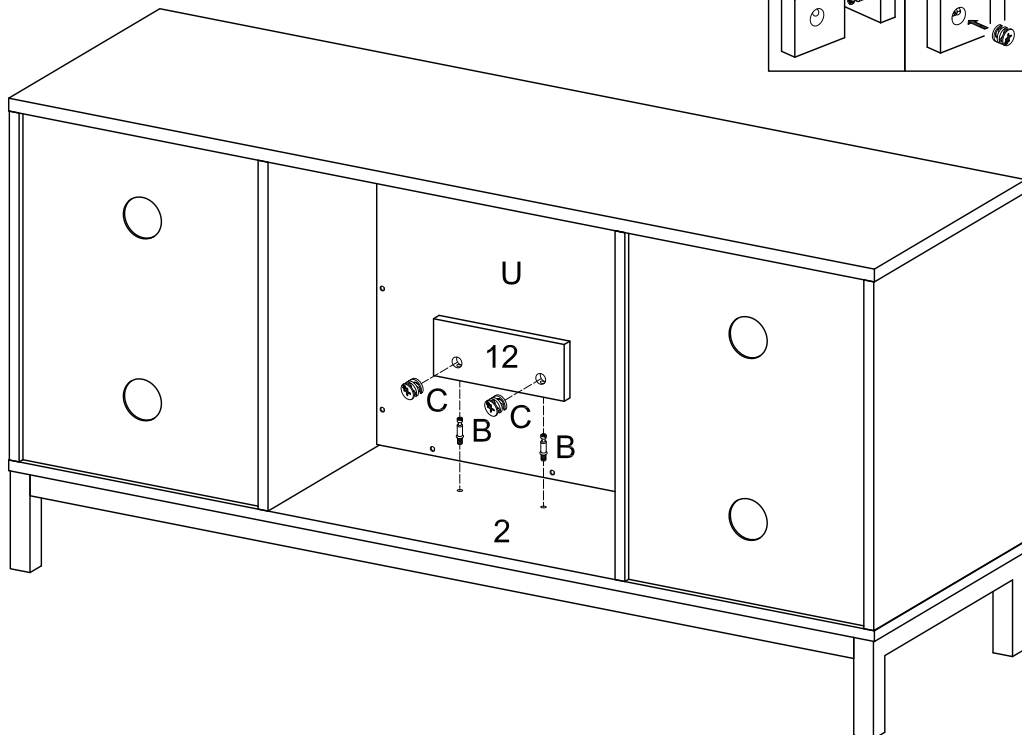
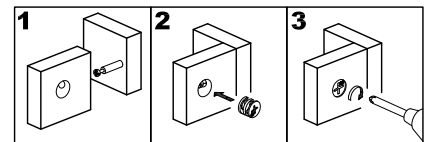
Secure hinge (L) to door (13,14) to side panel (3,4) with screw (M).

## Step 13



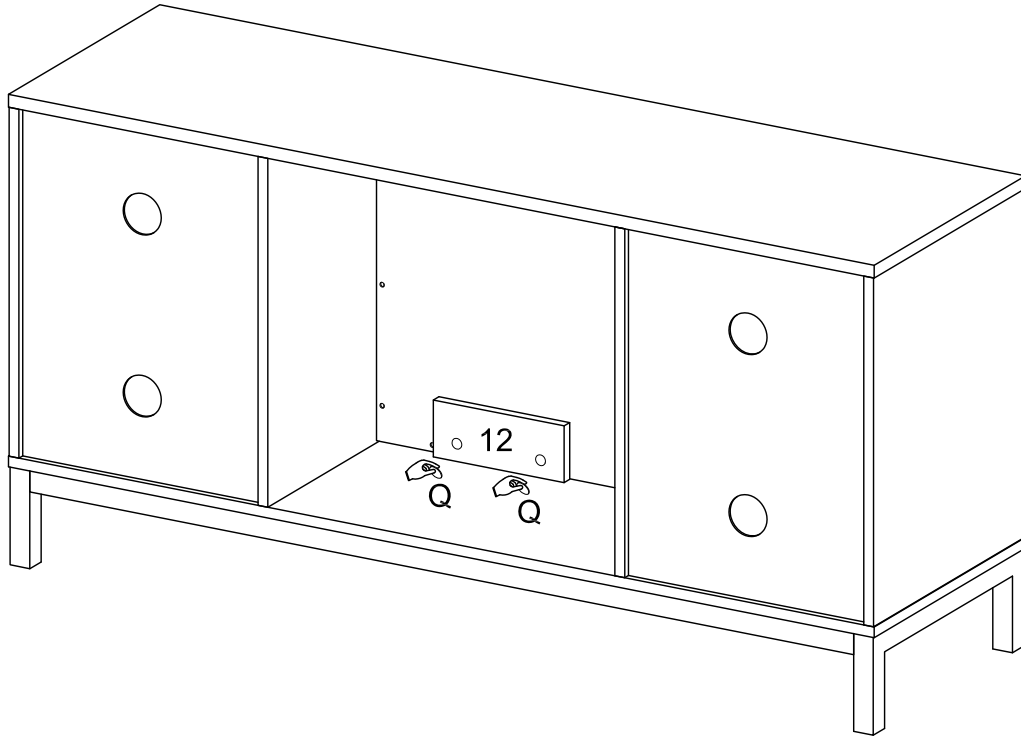
Secure fireplace insert (U) with screw (T) as per diagram.

## Step 14



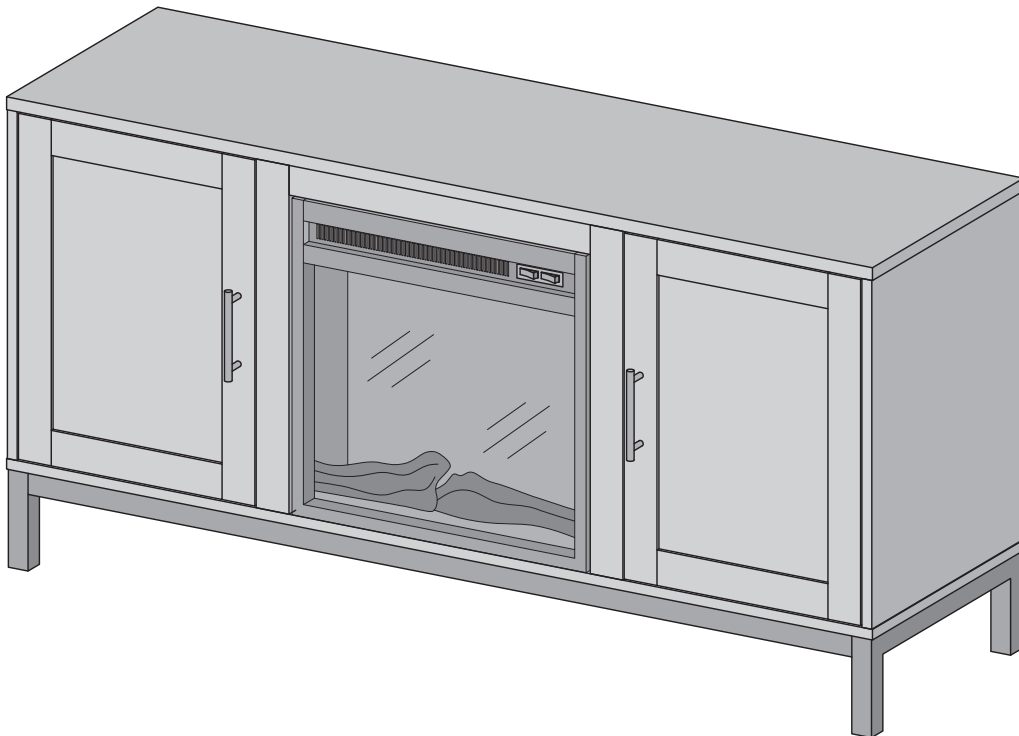
Attach part (12) behind the fireplace unit by using cam bolts (B) and cam locks (C).

## Step 15



Place sticker (Q) over holes as per diagram.

## Step 16



## Final Assembly