

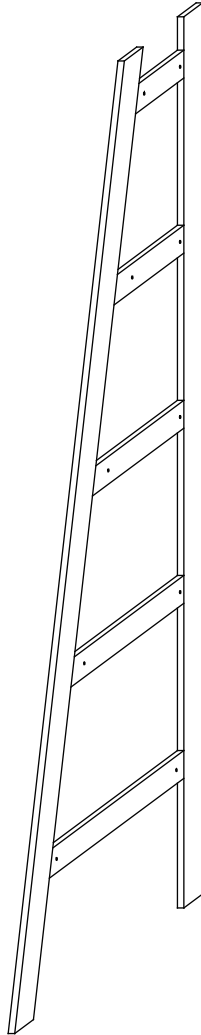
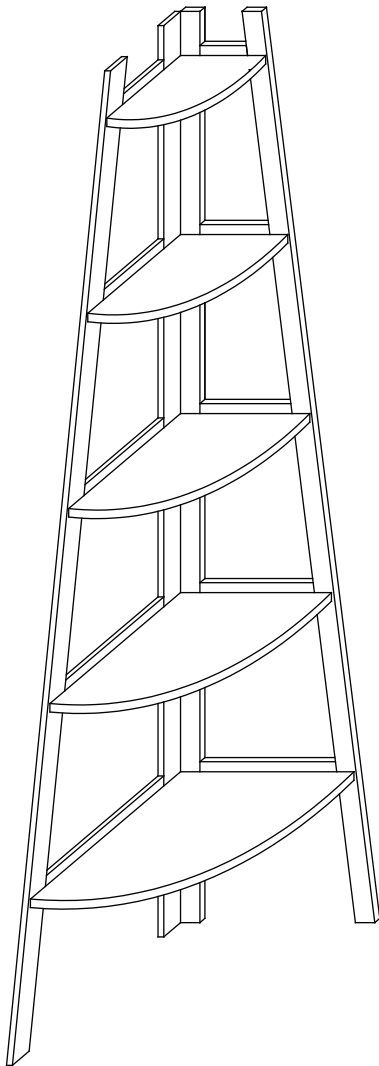


**Assembly Instructions for BQ0279
Five Tier Corner Ladder Display Bookshelf**

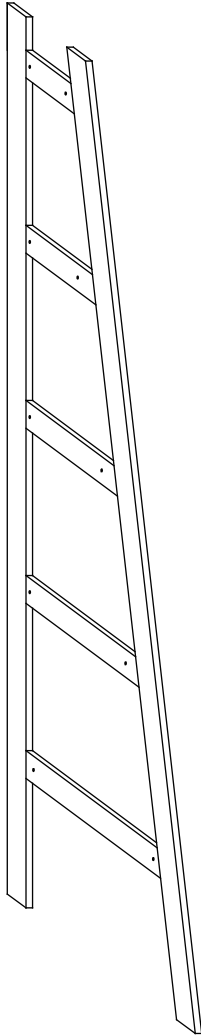
**For WHITE, GRAY, or WEATHERED OAK
Models, See Page 5.**

For All Other Colors, Continue to Page 2.

Assembly Instructions for All Other Models



A×1



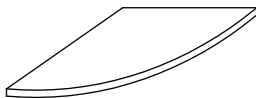
B×1



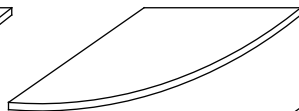
C×1



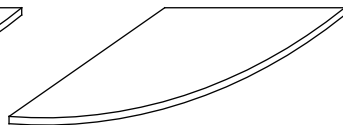
D×1



E×1

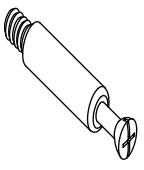
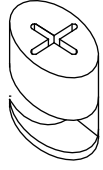
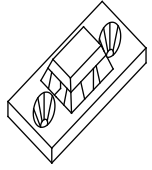

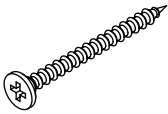
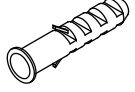
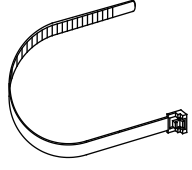


F×1

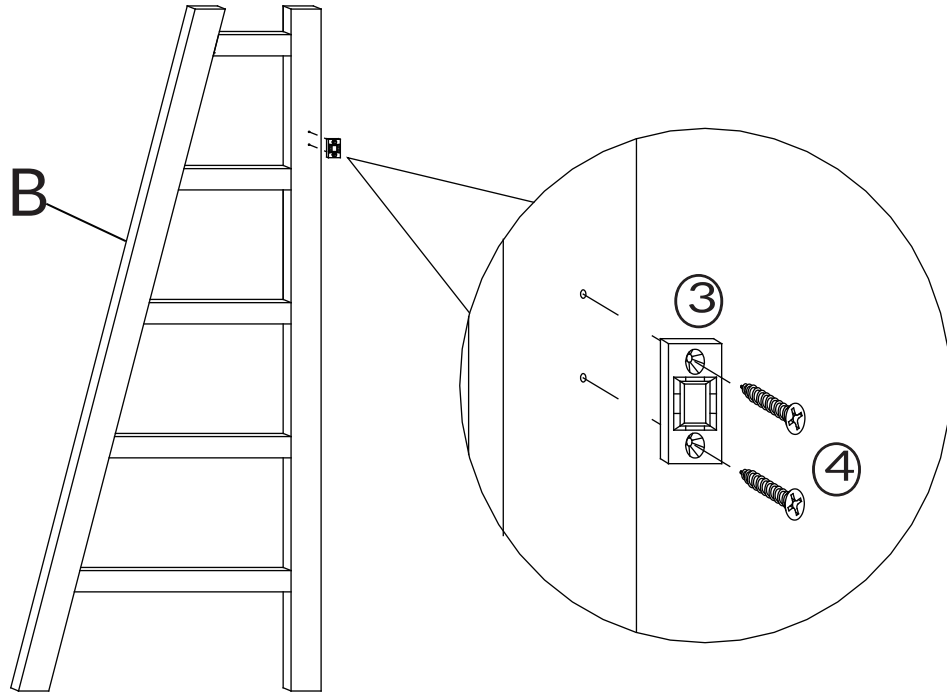


G×1

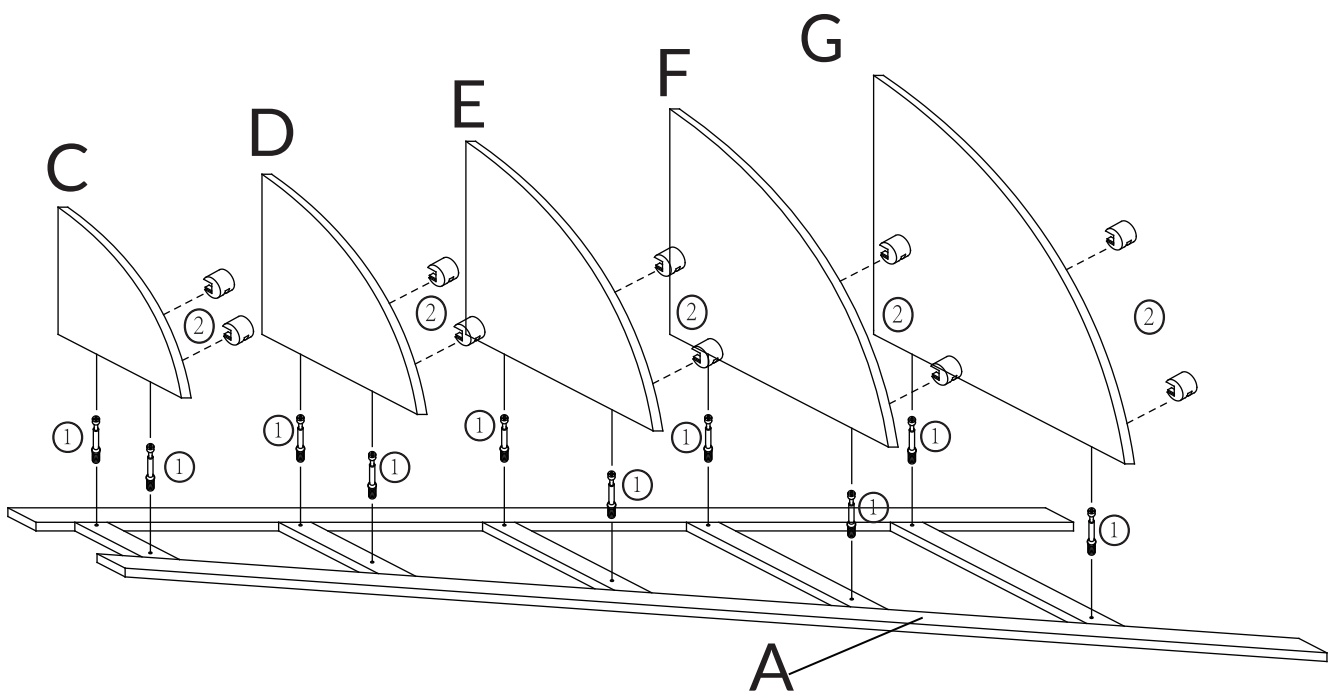
WEIGHT CAPACITY: 50 lbs

①×20pcs	②×20pcs	③×2pcs	④×2pcs	⑤×2pcs	⑥×2pcs	⑦×1pcs
						

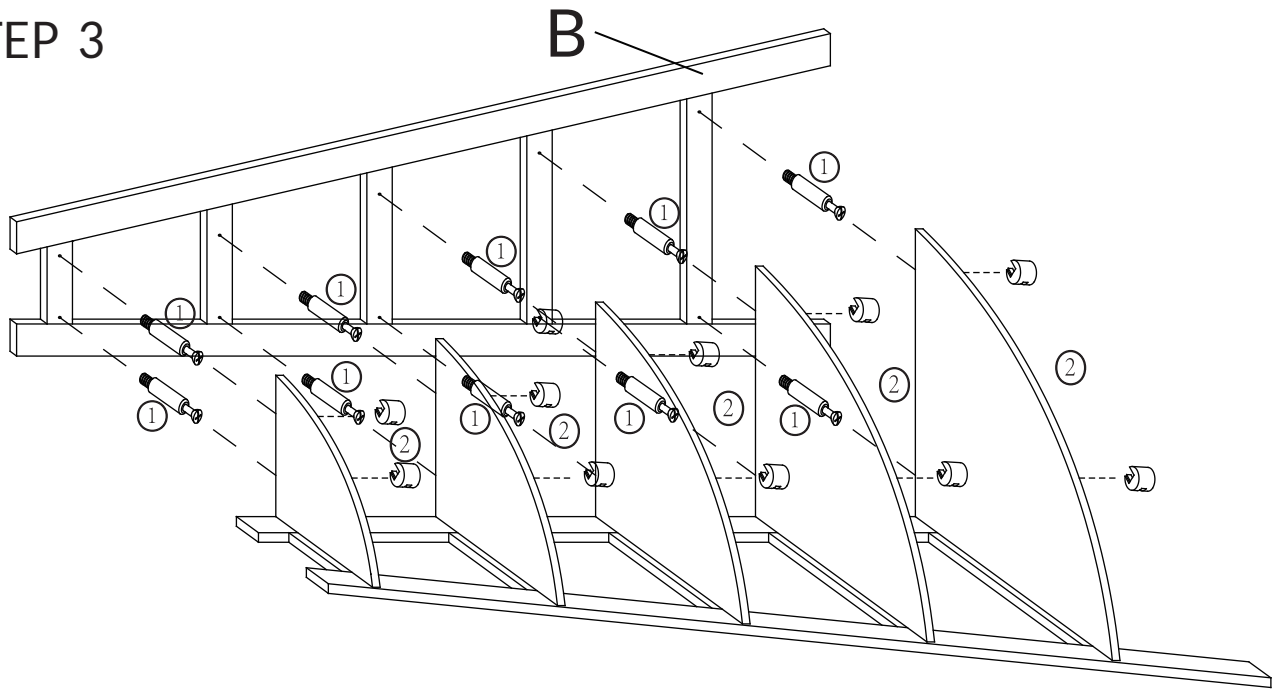
STEP 1



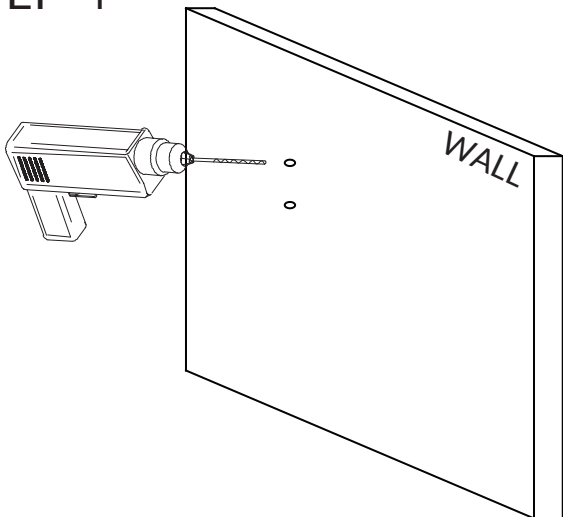
STEP 2



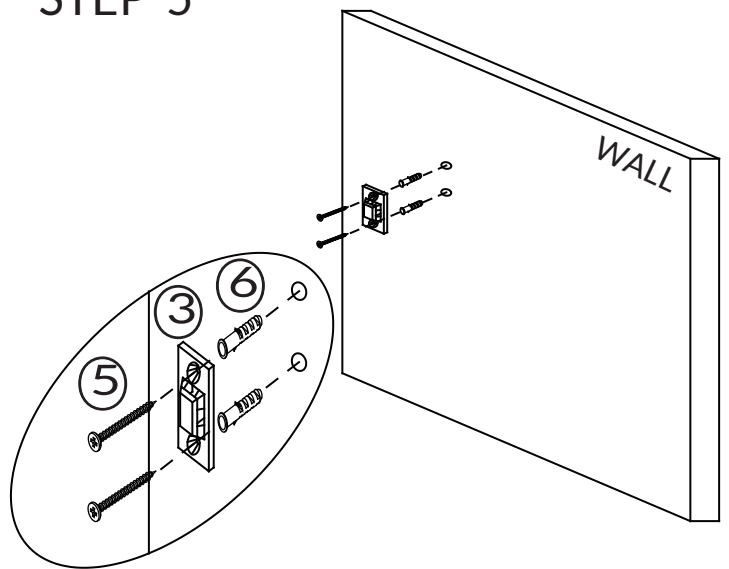
STEP 3



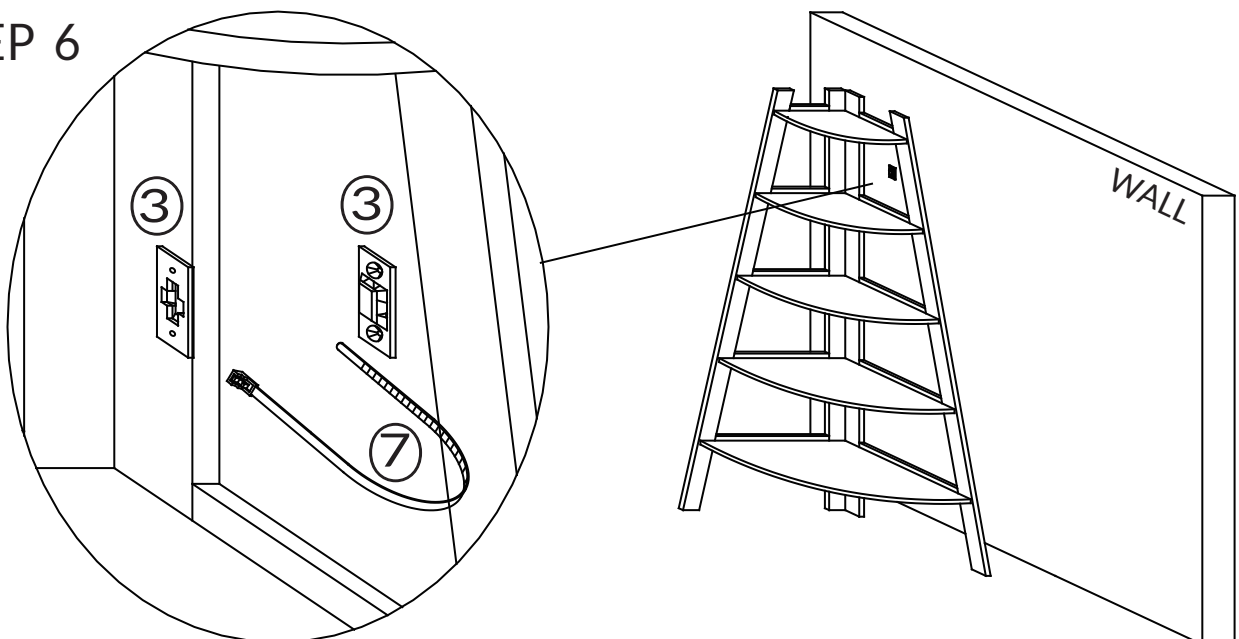
STEP 4



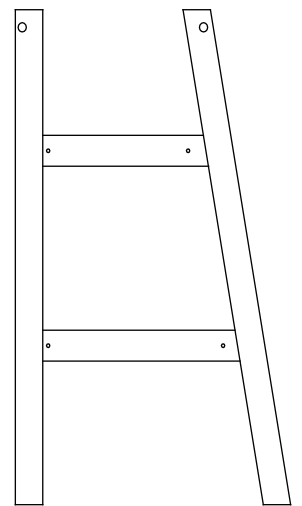
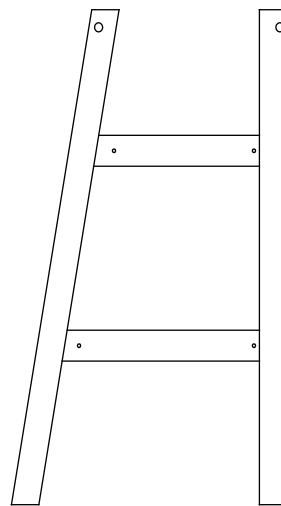
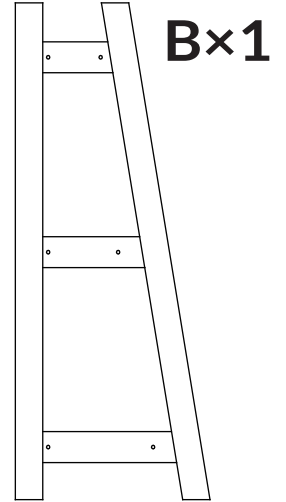
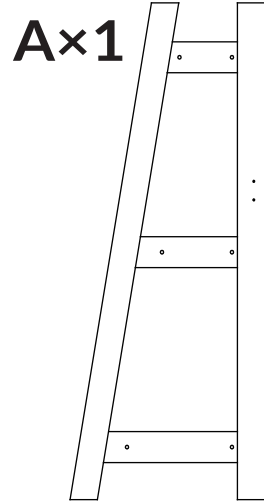
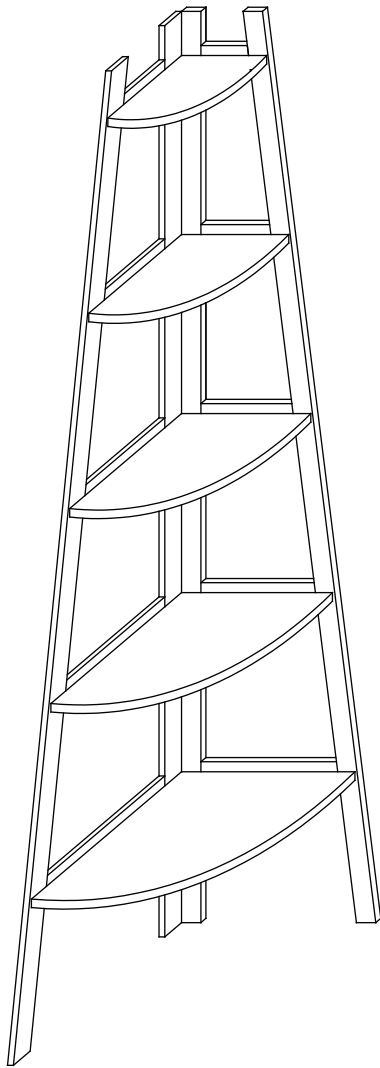
STEP 5



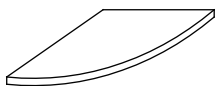
STEP 6



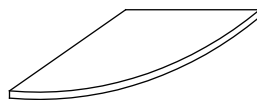
Assembly Instructions for White, Gray, and Weathered Oak Models



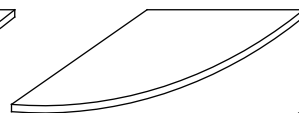
E x 1



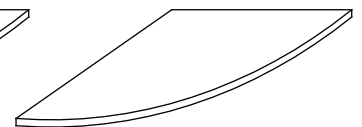
F x 1



G x 1



H x 1

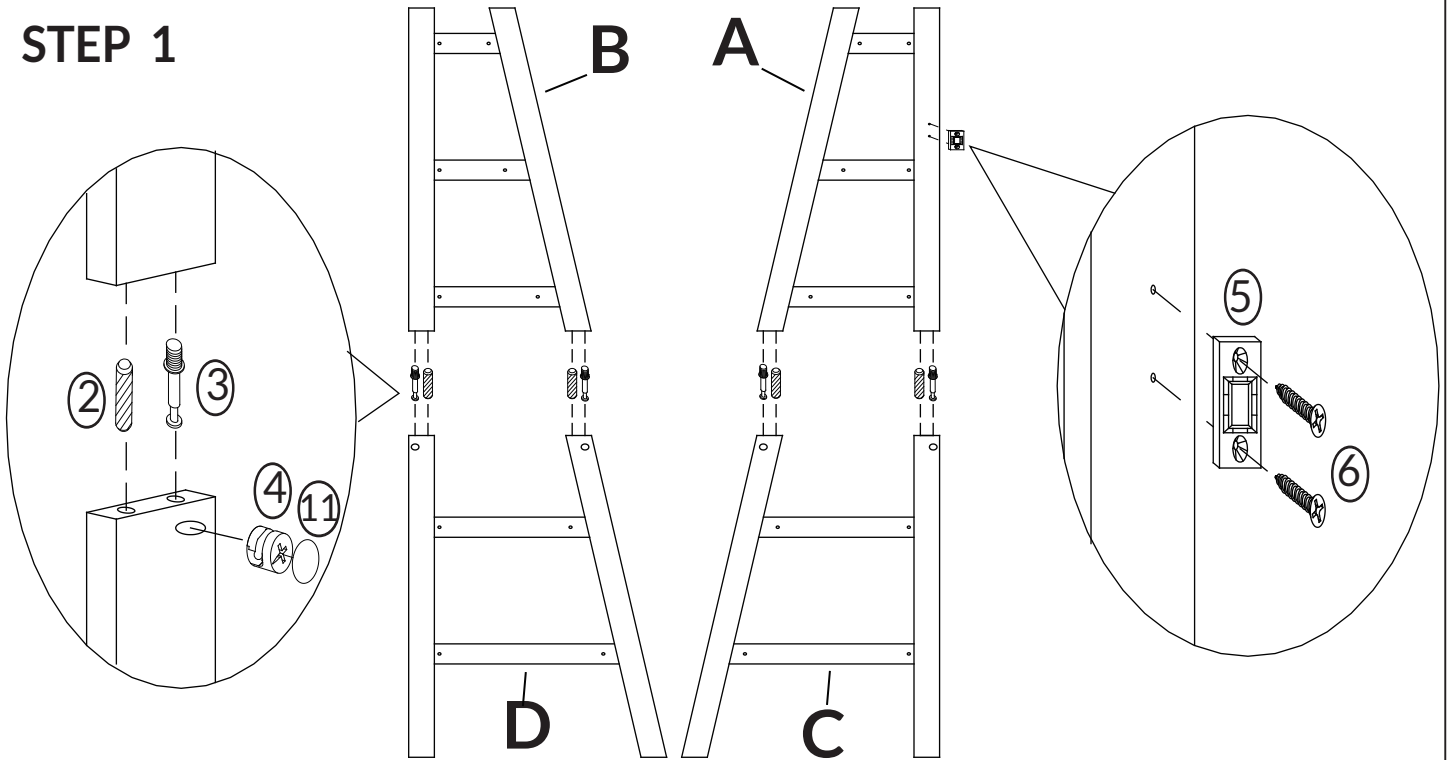


I x 1

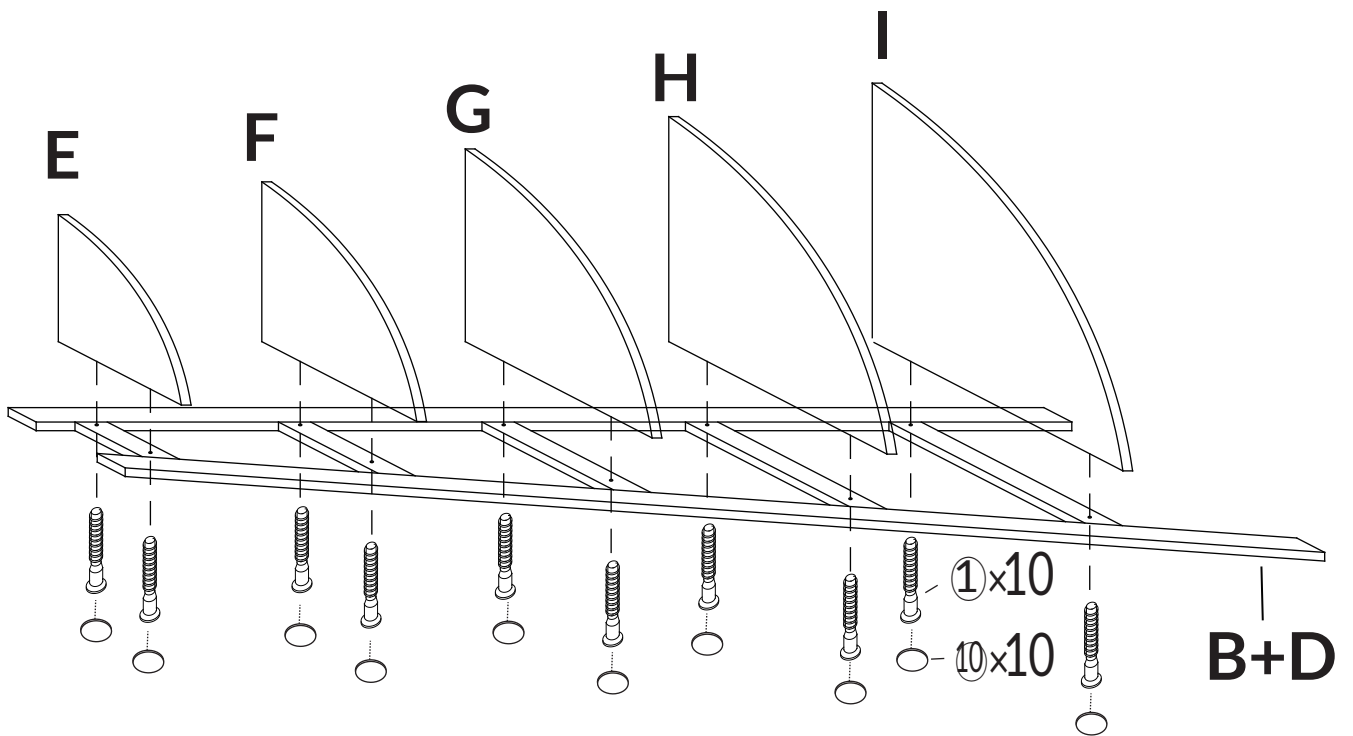
WEIGHT CAPACITY: 50 lbs

①×20pcs	②×4pcs	③×4pcs	④×4pcs	⑤×2pcs	⑥×2pcs	⑦×2pcs	⑧×2pcs	⑨×1pcs	⑩×20pcs	⑪×4pcs

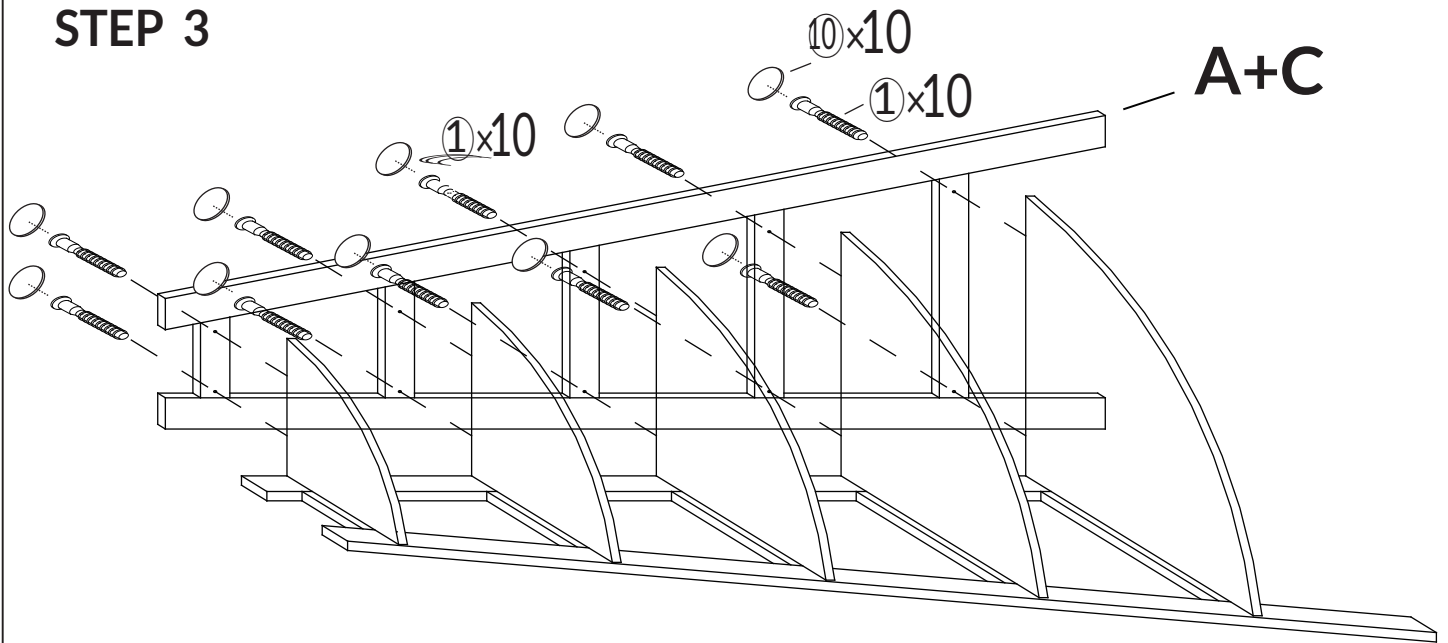
STEP 1



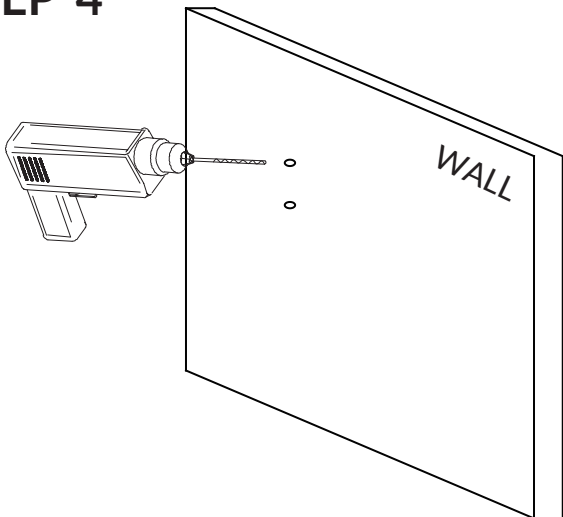
STEP 2



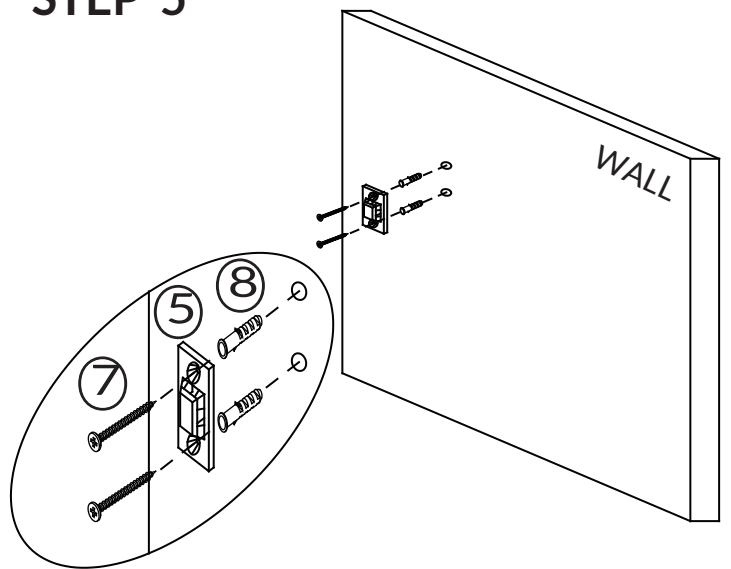
STEP 3



STEP 4



STEP 5



STEP 6

